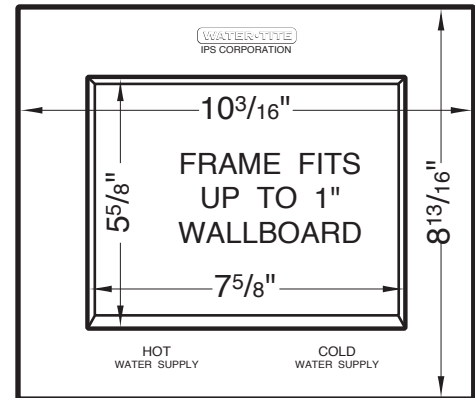
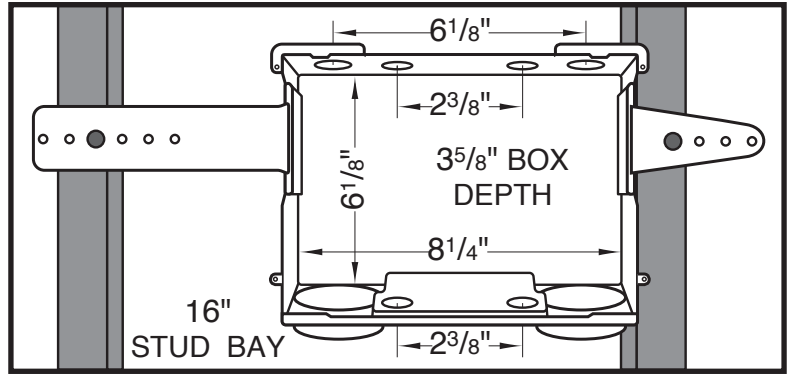
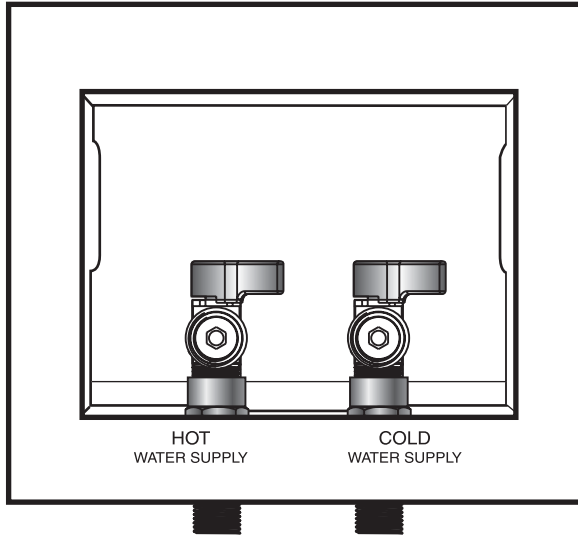


SPECIFICATION SUBMITTAL SHEET

WATER•TITE

Dual Drain Washing Machine Outlet Box



SPECIFICATION

Furnish and install recessed washing machine box featuring dual 2" PVC/ABS drain couplings with knock-out test caps. Unit shall be WATER•TITE product code checked below as manufactured by IPS Corporation in Collierville, TN, USA, with factory installed valve configuration as per corresponding valve option.

✓	PROD. CODE	MODEL #	DESCRIPTION
	82052	W2700	2 chrome quarter turn adapter ball valves, 1/2" sweat connection
	82054	W2701	2 chrome quarter turn adapter ball valves, 1/2" CPVC connection
	82056	W2702	2 chrome quarter turn adapter ball valves, 1/2" PEX connection
	82059	W2703	2 chrome quarter turn adapter ball valves, 1/2" Kitec connection
	85131	W2738	2 chrome quarter turn adapter ball valves, 3/8" PEX connection
	82107	W2704	2 chrome quarter turn adapter ball valves, 1/2" CPVC connection, valves loose
	85614	W2412	2 chrome quarter turn adapter ball valves, 1/2" sweat connection, valves loose
	82001	W2711	2 chrome quarter turn adapter ball valves, 1/2" Wirsbo connection
	82008	W2713	2 chrome quarter turn adapter ball valves, 1/2" Wirsbo connection, valves loose
	85610	W2312 D	2 Domestic Valves, 1/2" sweat connection

✓	PROD. CODE	MODEL#	DESCRIPTION
	82053 *	W2700 CP	2 chrome quarter turn adapter ball valves, 1/2" sweat connection
	82055 *	W2701 CP	2 chrome quarter turn adapter ball valves, 1/2" CPVC connection
	82057 *	W2702 CP	2 chrome quarter turn adapter ball valves, 1/2" PEX connection
	82060 *	W2703 CP	2 chrome quarter turn adapter ball valves, 1/2" Kitec connection

*Frames packed separately from boxes and mounting flanges for protection and safe keeping until finishing stage



Manufacturers of **WELD•ON** and **WATER•TITE** Products

202 Industrial Park Ln • P.O. Box 220 • Collierville, TN 38027, U.S.A. Tel: 901-853-5001 • Wats: 1-800-888-8312 • Fax: 901-853-5008
 455 West Victoria • Compton, CA 90220, U.S.A. • Tel: 310-898-3300 • Wats: 1-800-421-2677 • Fax: 310-898-3390