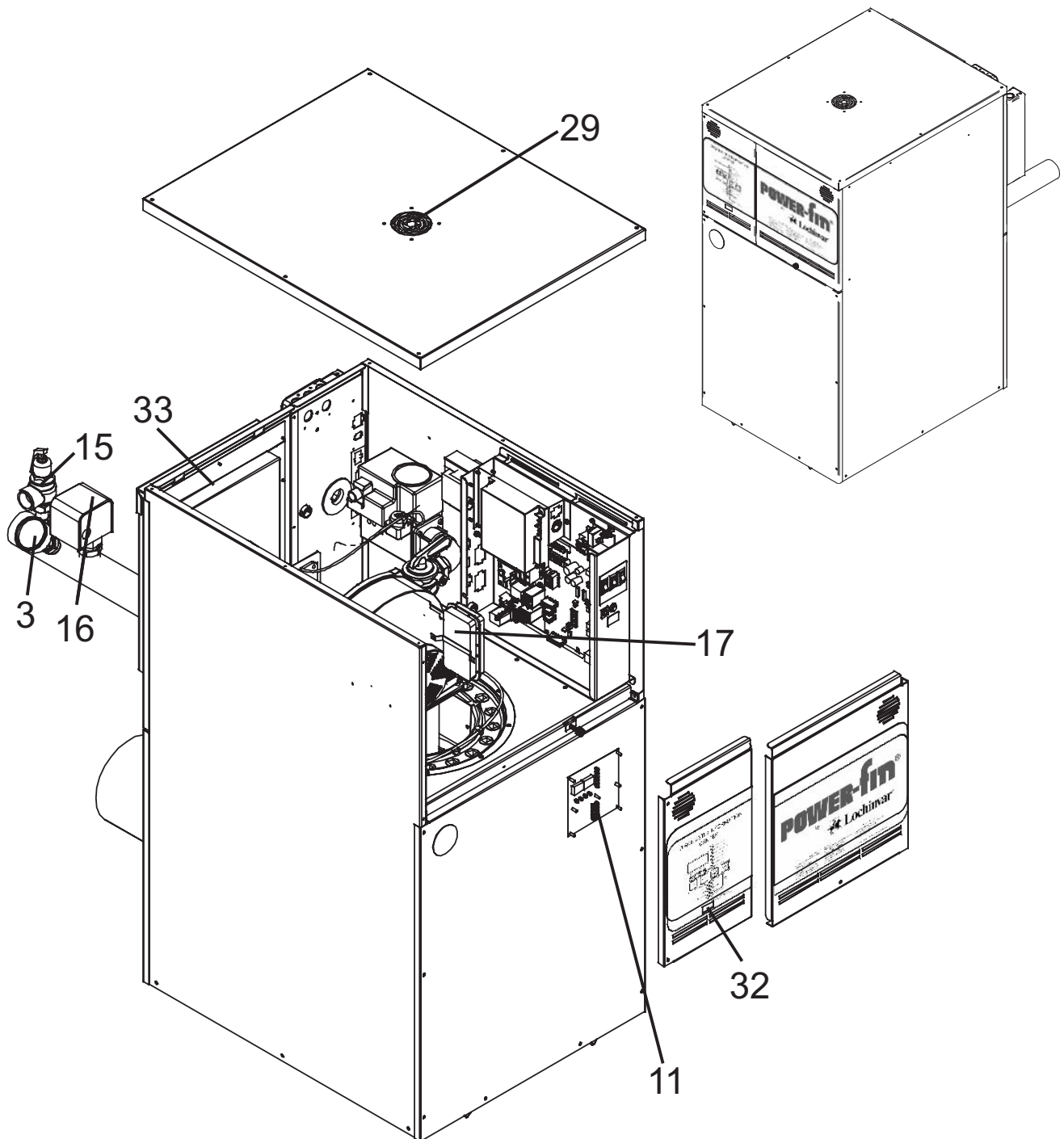




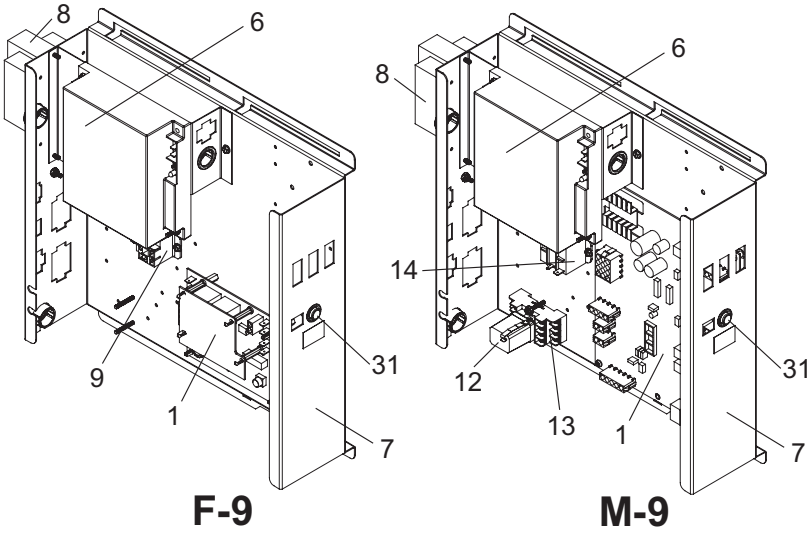
**Replacement Parts List**

**PARTS & SERVICE DEPARTMENT**  
 Nashville, Tennessee  
 615-889-8900 • Fax: 615-547-1000  
 www.Lochinvar.com

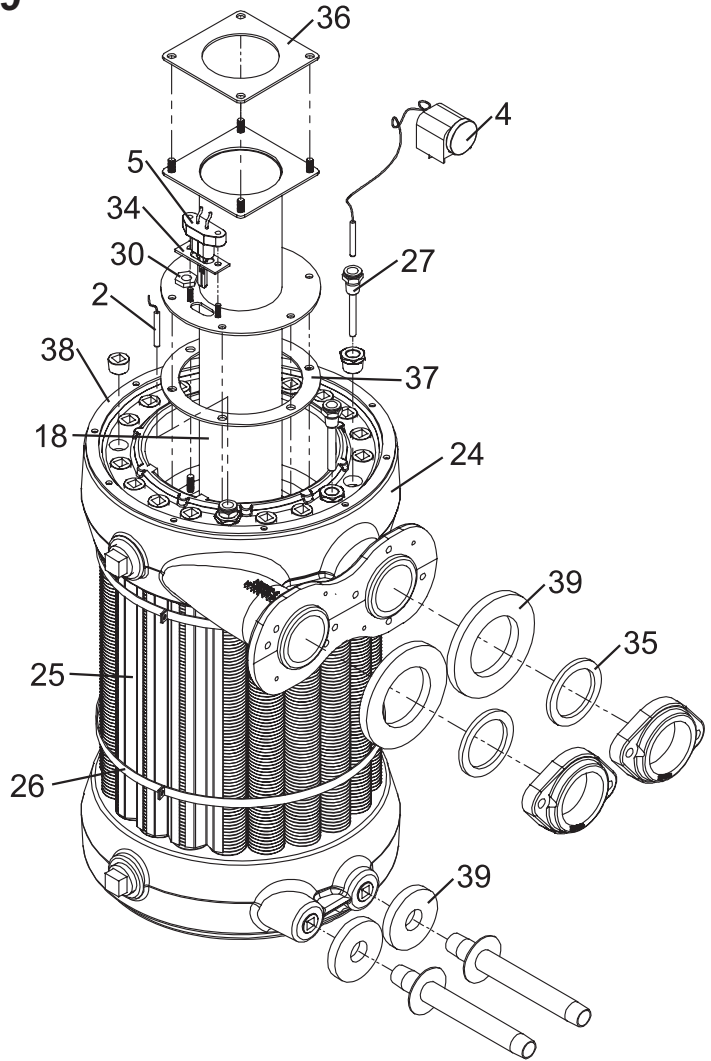
**Power-Fin®**  
 Heating Boilers & Hot Water Supply Boilers  
 PB/PF 501 thru 1300  
 Starting Serial #A05H00172528



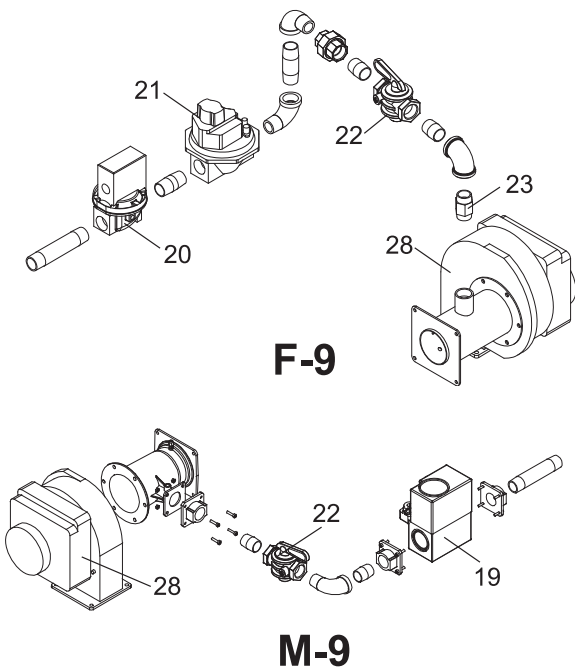
# CONTROL PANEL ASSEMBLY



# HEAT EXCHANGER ASSEMBLY



# GAS TRAIN ASSEMBLY



ITEM NO.	PART NO.	DESCRIPTION	MODEL NUMBER
<b>CONTROLS &amp; GAUGES</b>			
1	TST2314	THERMOSTAT, CONTROLLER	PB - F9
1	RLY3109	CONTROL BOARD, WITH I/O RESET	PB - M9
1	RLY3110	CONTROL BOARD	PF - M9
1	RLY3111	CONTROL BOARD	PB - M9
1	TST5314	THERMOSTAT, CONTROLLER	PF
2	TST2032	THERMOSTAT SENSOR	F9
2	WRE2145	THERMOSTAT SENSOR	M9
3	GTP2900	GAUGE, TEMP AND PRESSURE	PB
4	HLC2510	THERMOSTAT, HI LIMIT 200 DEGREE	PF
4	HLC2702	THERMOSTAT, HI LIMIT W/ MANUAL RESET	ALL
5	PLT3400	IGNITOR, HOT SURFACE	ALL
6	RLY2402	MODULE, IGNITION	ALL
7	PAN3445	CONTROL PANEL	PB - M9
7	PAN3444	CONTROL PANEL	PB - F9
7	PAN3442	CONTROL PANEL	PF
8	TRF2005	TRANSFORMER (75VA)	ALL
9	RLY2052	PUMP RELAY	F9
	RLY2107	POWER BOARD	F9
11	RLY2108	DISPLAY BOARD	F9
11	RLY2724	DISPLAY BOARD	M9
12	RLY2110	4 POLE RELAY	M9
13	RLY2111	4 POLE RELAY BASE	M9
14	RLY2706	PUMP RELAY	M9
15	RLV2001	RELIEF VALVE, PRESSURE ONLY	PB 501-1001
15	RLV2003	RELIEF VALVE, PRESSURE ONLY	PB 1300
15	RLV2007	RELIEF VALVE, TEMPERATURE & PRESSURE	PF
16	WTR2040	FLOW SWITCH	ALL
17	PRS2431	SWITCH, LOW AIR	501 - LP - F9
17	PRS2432	SWITCH, LOW AIR	501- NAT - F9
17	PRS2433	SWITCH, LOW AIR	751 - LP - F9
17	PRS2434	SWITCH, LOW AIR	751 - NAT - F9
17	PRS2435	SWITCH, LOW AIR	1001 - LP - F9
17	PRS2436	SWITCH, LOW AIR	1001 - NAT - F9
17	PRS2437	SWITCH, LOW AIR	ALL 1300 - F9
17	PRS30000	SWITCH, LOW AIR	PB501-1300 M9 NAT & LP
<b>GAS TRAIN ASSEMBLIES</b>			
18	BNR3713	BURNER	501
18	BNR3714	BURNER	751
18	BNR3715	BURNER	1001
18	BNR3716	BURNER	1300
19	VAL2714	VALVE, GAS	501 - M9
19	VAL2715	VALVE, GAS	751 - M9
19	VAL2716	VALVE, GAS	1001 - M9
19	VAL2717	VALVE, GAS	1300 - M9
20	VAL2018	VALVE, GAS 1"	501 - F9
20	VAL2019	VALVE, GAS 1-1/4"	751-1001-1300 - F9
21	VAL2718	VALVE, MAIN GAS 1"	501 - NAT - F9
21	VAL2519	VALVE, MAIN GAS 1"	501 - LP - F9
21	VAL2719	VALVE, MAIN GAS 1-1/4"	751-1001-1300- NAT - F9
21	VAL2520	VALVE, MAIN GAS 1-1/4"	751-1001-1300 - LP - F9
22	GAC2029	GAS COCK	501
22	GAC2030	GAS COCK	751-1001-1300
23	ORF2762	ORIFICE, BURNER	501 - NAT - F9
23	ORF2763	ORIFICE, BURNER	751 - NAT - F9
23	ORF2764	ORIFICE, BURNER	1001 - NAT - F9
23	ORF2765	ORIFICE, BURNER	1300 - NAT - F9
23	ORF2766	ORIFICE, BURNER	501 - LP - F9
23	ORF2767	ORIFICE, BURNER	751 - LP - F9
23	ORF2768	ORIFICE, BURNER	1001 - LP - F9
23	ORF2769	ORIFICE, BURNER	1300 - LP - F9

ITEM NO.	PART NO.	DESCRIPTION	MODEL NUMBER
<b>HEAT EXCHANGER ASSEMBLIES</b>			
24	HEX3228	HEAT EXCHANGER(HLW)	501
24	HEX3236	HEAT EXCHANGER (H)	501
24	HEX3229	HEAT EXCHANGER(HLW)	751
24	HEX3237	HEAT EXCHANGER (H)	751
24	HEX3230	HEAT EXCHANGER(HLW)	1001
24	HEX3238	HEAT EXCHANGER (H)	1001
24	HEX3231	HEAT EXCHANGER(HLW)	1300
24	HEX3239	HEAT EXCHANGER (H)	1300
25	JKH2016	V BAFFLE (20 REQ.)	501
25	JKH2017	V BAFFLE (20 REQ.)	751
25	JKH2018	V BAFFLE (20 REQ.)	1001
25	JKH2019	V BAFFLE (20 REQ.)	1300
26	JKP6569	V BAFFLE STRAP (500 - 2 REQ.) (750-1300 - 3 REQ.)	ALL
27	TST2300	HIGH LIMIT BULBWELL	ALL
27	TST2306	OPERATOR BULBWELL	ALL
<b>MISCELLANEOUS</b>			
-	ARM3022PAB	PUMP	ALL PF
-	ARM3025PAB	PUMP STARTING SERIAL#F05H00177438	PF751-1300
-	PUM3006	PUMP STARTING SERIAL#B0600183977	PF501
28	FAN3727	FAN, COMBUSTION AIR	ALL
29	FAN2027	FAN, VENTILATION	ALL
30	MSC2731	BURNER SIGHT GLASS	ALL
31	SWT2004	RESET BUTTON	ALL
32	SWT2006	ON/OFF SWITCH	ALL
33	FIL2001	AIR FILTER	ALL
34	GKT2012	IGNITOR GASKET	ALL
-	GKT2053	JACKET GASKET	ALL
35	GKT2033	FLANGE GASKET	ALL
36	GKT2034	BURNER/BLOWER GASKET	ALL
37	GKT2035	BURNER/ HEX GASKET	ALL
38	GKT2036	HEX/INNER TOP GASKET	ALL
39	GKT2705	HEX/DIVIDER PANEL GASKET	ALL
	MSC2975	CONDENSATE TRAP	ALL
-	KIT3064	KIT, OUTDOOR AIR RESET	PB-F9
-	KIT3065	KIT, OUTDOOR AIR RESET	PB-M9
-	KIT3066	KIT, ALARM ON ANY FAILURE WITH BELL	ALL F9
-	KIT3067	KIT, ALARM ON ANY FAILURE WITH BELL	ALL M9
-	KIT3068	KIT, MANUAL RESET LOW WATER CUTOFF	ALL
-	KIT3070	KIT, LOUVER CONTACTS	ALL

PLEASE HAVE MODEL NUMBER AND SERIAL NUMBER WHEN ORDERING PARTS.