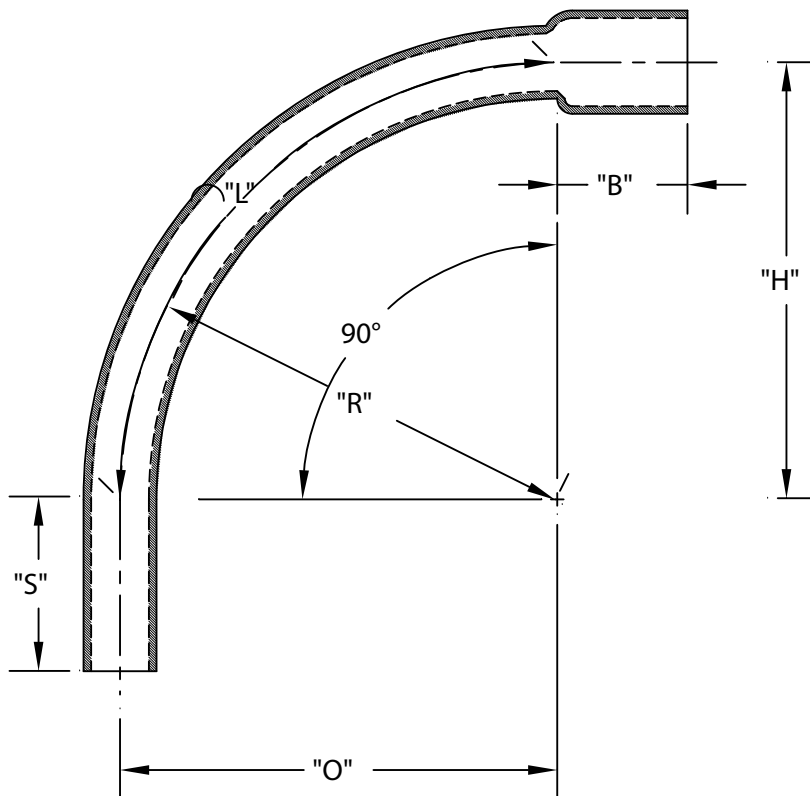


PART NUMBER	SIZE	"R"	"O"	"H"	"S" MIN	"B" MIN	"L"
XXXXXXX	1/2"	36"	36"	36"	1 1/2"	1 1/16"	56 1/2"
XXXXXXX	3/4"	36"	36"	36"	1 1/2"	3/4"	56 1/2"
5233855	1"	36"	36"	36"	1 7/8"	7/8"	56 1/2"
5233884	1 1/4"	36"	36"	36"	2"	1"	56 1/2"
5233866	1 1/2"	36"	36"	36"	2"	1 1/8"	56 1/2"
5233848	2"	36"	36"	36"	2"	1 1/4"	56 1/2"
5233857	2 1/2"	36"	36"	36"	3"	1 1/2"	56 1/2"
5233930	3"	36"	36"	36"	3 1/8"	1 5/8"	56 1/2"
5233818	3 1/2"	36"	36"	36"	3 1/4"	1 11/16"	56 1/2"
5233842	4"	36"	36"	36"	3 3/8"	1 3/4"	56 1/2"
5233841	5"	36"	36"	36"	3 5/8"	2"	56 1/2"
5233877	6"	36"	36"	36"	3/4"	2 1/8"	56 1/2"
XXXXXXX	8"	N/A	N/A	N/A	N/A	N/A	N/A



UL Listed UL651
 UL File # E34052
 UL Category Code DZYR
 UL Control Number 41UM
 Meets NEMA TC3
 See NEC Article 352 for use
 Material is Rigid PVC
 Bend Tolerance is $\pm 2^\circ$



CANTEX
 INC.
 Fort Worth, TEXAS

90° Elbows Bell End
 Schedule 40 36" Radius Elbows

Drawn By: CD Branch

Date: 10/15/07

Ref.