

DRAWING NUMBER
S0700 (-Z)

SIZE
A

SCALE:
NONE

DATE:
01-28-2020

APPROVED BY:
CL

CHECKED BY:
CL

DRAWN BY:
MW

0700 (-Z)

FIGURE NUMBER

WE CAN ASSUME NO RESPONSIBILITY FOR USE OF SUPERSEDED OR VOID DATA

DIMENSIONS ARE SUBJECT TO MANUFACTURERS TOLERANCE AND CHANGE WITHOUT NOTICE

LAVATORY SUPPORTS

WITH CONCEALED ARMS FOR NARROW WALL INSTALLATION

FLOOR MOUNTED TYPE WITH "PRO-SET" UPRIGHTS

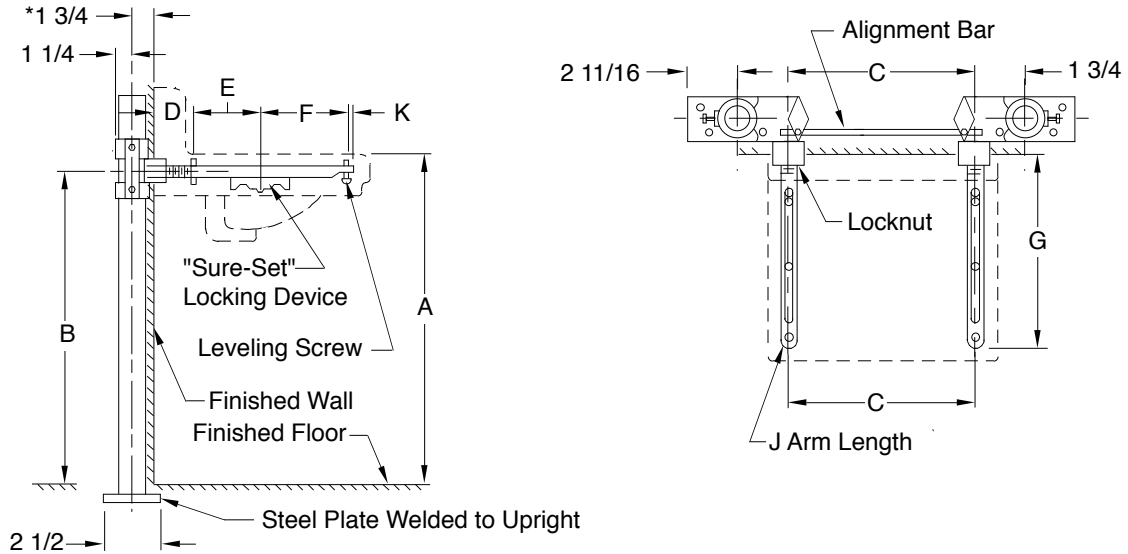
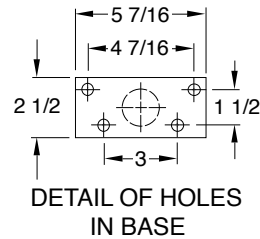


Fig. 0700 (-Z) . . . FOR HIGH BACK LAVATORIES (shown)

NOTE: The rough-in dimensions listed on this drawing are based on current information available to Jay R. Smith by the fixture manufacturers. We recommend that you verify these dimensions with the fixture manufacturer. We will not accept responsibility for rough-in dimension changes by the fixture manufacturer.



ROUGHING-IN TABLE

FIXTURE MFG.	NAME	NUMBER	SIZE	A	B	C	D	E	F	G	J	K
AM. STD.	LUCERNE	0355.012	20 (510) x 18 (455)	31 (785)	29 1/4 (745)	16 3/4 (425)	4 (100)	6 (150)	6 (150)	16 1/2 (420)	19 (485)	1/2 (13)
AM. STD.	LUCERNE	0356.015	20 (510) x 18 (455)	31 (785)	29 1/4 (745)	16 3/4 (425)	4 (100)	6 (150)	6 (150)	16 1/2 (420)	19 (485)	1/2 (13)
AM. STD.	LUCERNE	0356.421	20 (510) x 18 (455)	31 (785)	29 1/4 (745)	16 3/4 (425)	4 (100)	6 (150)	6 (150)	16 1/2 (420)	19 (485)	1/2 (13)
AM. STD.	LUCERNE	0356.439	20 (510) x 18 (455)	31 (785)	29 1/4 (745)	16 3/4 (425)	4 (100)	6 (150)	6 (150)	16 1/2 (420)	19 (485)	1/2 (13)
AM. STD.	MURRO	0954.000	22 (560) x 21 (535)	34 (865)	32 3/8 (823)	16 3/4 (425)	4 (100)	6 (150)	4 (100)	14 1/2 (370)	17M (430)	1/2 (13)
AM. STD.	MURRO	0955.000	22 (560) x 21 (535)	34 (865)	32 3/8 (823)	16 3/4 (425)	4 (100)	6 (150)	4 (100)	14 1/2 (370)	17M (430)	1/2 (13)
AM. STD.	MURRO	0958.000	22 (560) x 21 (535)	34 (865)	32 3/8 (823)	16 3/4 (425)	4 (100)	6 (150)	4 (100)	14 1/2 (370)	17M (430)	1/2 (13)
KOHLER	GREENWICH	K-2030, 1, 2, 4, 6	20 (510) x 18 (455)	31 (785)	29 (735)	17 1/4 (440)	3 1/4 (83)	5 1/4 (135)	5 1/4 (135)	14 1/4 (360)	16 (405)	1/2 (13)
KOHLER	SOHO	K-2053, 4	20 (510) x 18 (455)	31 (785)	29 1/4 (745)	16 1/2 (420)	3 1/4 (83)	5 1/4 (135)	5 1/4 (135)	14 1/4 (360)	17M (430)	1/2 (13)

NOTE: *This dimension can be increased when fixture support is to be installed behind the wall. (Specify when required and wall thickness).

REV.	DATE	DESCRIPTION	BY	CKD. BY	WEIGHT POUNDS	VOLUME CUBIC FEET	FIGURE NUMBER
							0700 (-Z)