

## 719 Showerhead

**Model #: B719-**

### FEATURES:

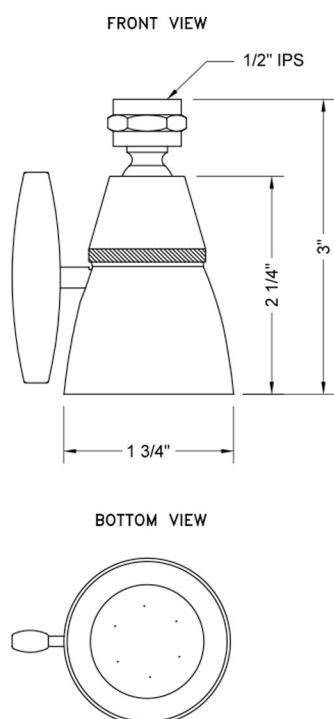
- 2 function showerhead with 1 3/4" face
- 1/2" IPS adjustable brass ball joint to adjust angle of showerhead
- Brass body & faceplate
- Available flow rates: 2.5, 2.0, 1.75 & 1.5 GPM



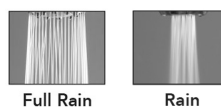
### AVAILABLE FINISHES:

Polished Chrome (PCH)    Satin Nickel (SN)

### SPECIFICATION DRAWING:



### SPRAY PATTERNS:



### COMPLIANCES:

Complies with: ASME A112.18.1-2012/CSA B125.1-12