

## 18" CATCH BASIN

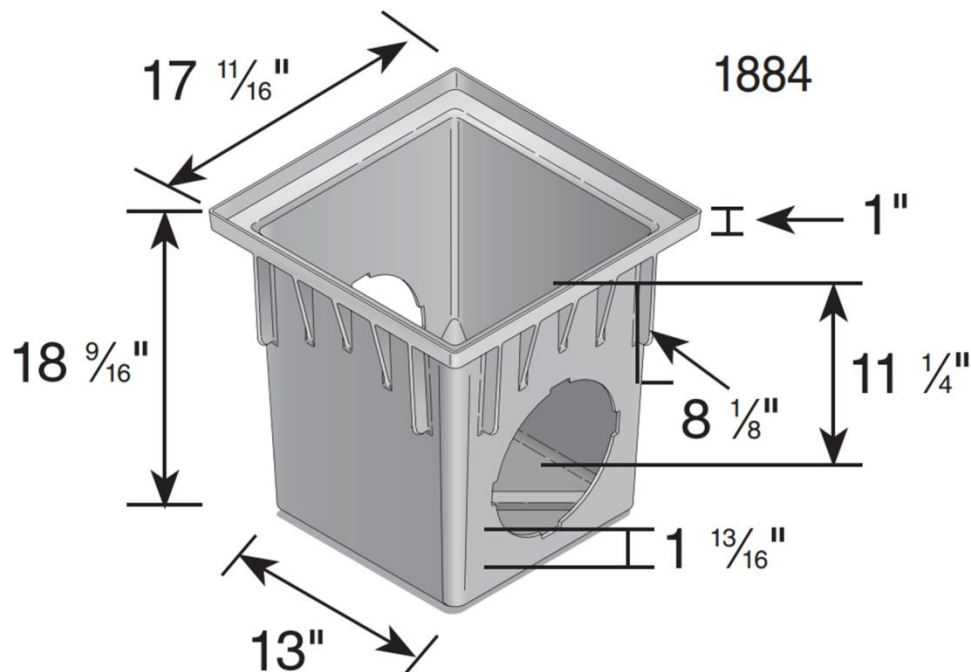
Part #: 1882, 1884

### 18" Catch Basin

Grate Number(s)	Description	Flow Rate with 1/2" Head
1810, 1811, 1812	18" x 18" Square Grate	264.03 GPM
1813	18" x 18" Cast Iron Square Grate	338.65 GPM
1815	18" Square Galvanized Steel Grate	731.13 GPM
1881, 1891	18" x 18" Atrium Grate	273.49 GPM

### OUTLET FLOW CAPACITIES

Part #	Flow Rate per Outlet
1242, 1243 (with reducer ring)	102.50 GPM
1245 (with reducer ring)	Top: 97.53 GPM Middle: 103.88 GPM Bottom: 107.24 GPM
1266 (with reducer ring)	349.48 GPM
1888	439.80 GPM
1889	336.87 GPM



## 18" EXPANDABLE CATCH BASIN

Part #: 1800, 1804

### 18" Catch Basin

Grate Number(s)	Description	Flow Rate with 1/2" Head
1810, 1811, 1812	18" x 18" Square Grate	264.03 GPM
1813	18" x 18" Cast Iron Square Grate	338.65 GPM
1815	18" Square Galvanized Steel Grate	731.13 GPM
1881, 1891	18" x 18" Atrium Grate	273.49 GPM

### OUTLET FLOW CAPACITIES

Part #	Flow Rate per Outlet
1242, 1243, 1245 (with reducer ring)	92.30 GPM
1266 (with reducer ring)	308.90 GPM
1888	389.25 GPM

