

Screened Pump Vaults

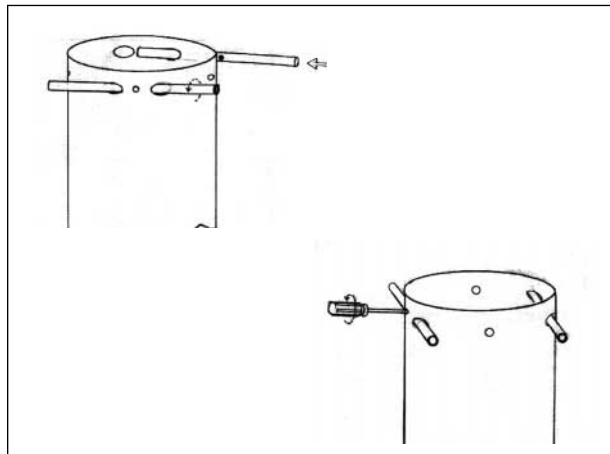
Installation, Operation and Maintenance Instructions Model SV15__, SV15__FI U.S. Patent No. 4439323

Installation Instructions:

The Screened Pump Vault is suspended in the septic tank by the schedule 80 support pipes. The screened vault assembly is composed of a rigid PVC vault, a polyurethane screen with a PVC float bracket, and a flow inducer (FI models only).

1. Untie the sch. 80 support pipes and slide them through the slots provided at the top of the PVC vault.

Position the support pipes so that the screw points directly into the 1/2" hole in the vault. Unscrew the stainless steel screw just to where the head enters the 1/2" hole and prohibits movement of the support pipes.



2. Gently lower the vault into position in the access riser. The support pipes should rest on the top of the tank.

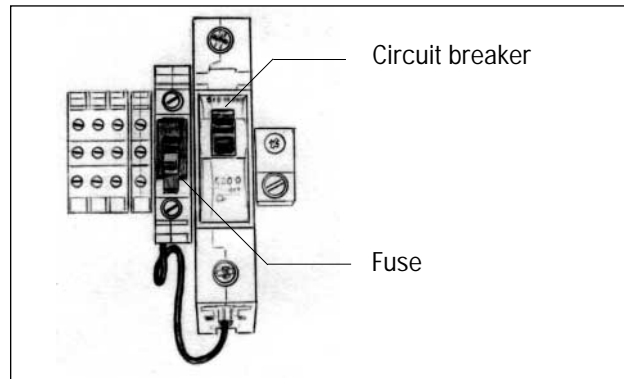
If the tank is full of liquid, rest the vault on top of the liquid surface and lower it by filling the vault with water (from a garden hose) to counteract the buoyancy of the empty vault.



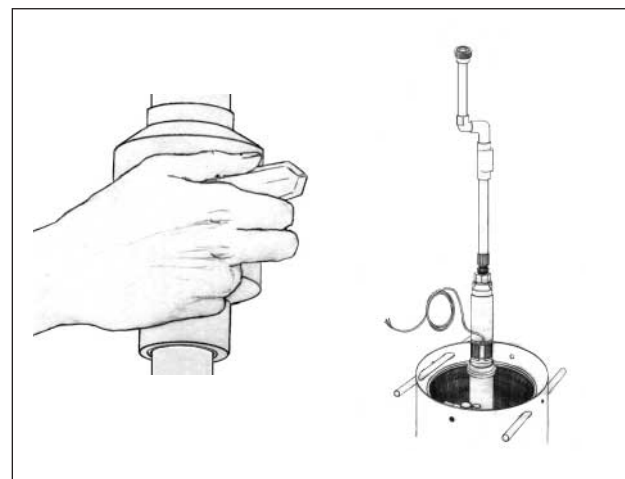
Maintenance Instructions

The pumping system should be inspected annually. If the liquid inside the screened pump vault is discernably different from the outside of the vault when the pump is running, this is an indication that the screen is being blinded and needs to be serviced.

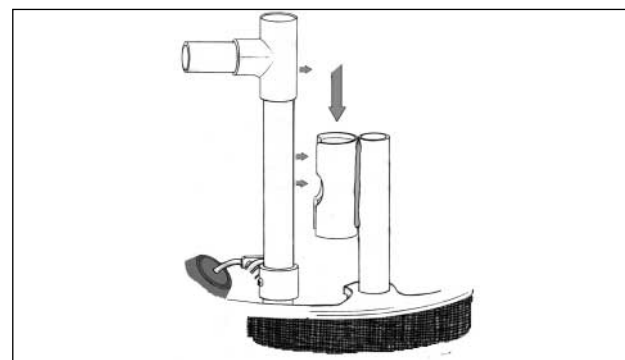
1. Disable power to the pump. This can easily be done by flipping the pump control and circuit breaker to the off position. You should also disconnect the fuse. All these features should be readily accessible in the control panel.



2. If the discharge assembly contains a ball valve, make sure it is completely closed.
3. Disconnect the discharge assembly at its PVC union and lift the pump out of the vault. Set the pump next to the tank, being careful to protect it from mud or sand.



4. Unclip the float assembly and set it next to the tank.
5. Service the pump and float assembly as described in their respective instructions.



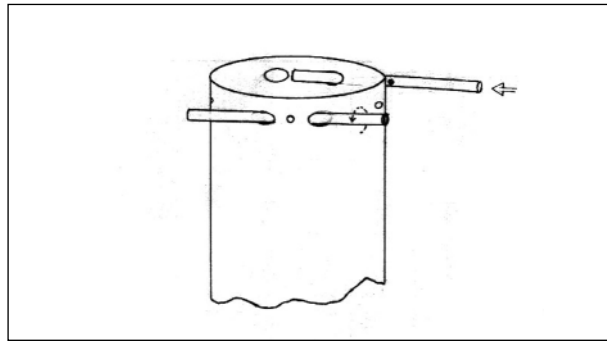
Maintenance Instructions (continued)

6. Slowly lift the screened vault out of the tank, allowing the effluent in the vault to empty out the drain flap while minimizing tank disturbance.



7. Remove the support pipes by setting the screws and twisting the pipes out of the seating holes.

Hint: Face the screw to the outside of the vault when pulling the pipes out and to the inside of the vault when sliding the pipes back into place.



8. Slide the screen out of the vault and hold it over the tank opening, carefully spraying the buildup that has formed on the screen back into the tank. Wash any contents that have accumulated inside the vault into the tank.

Hint: Minimize direct spraying of the splice box.



9. Slide the screen back into the vault and reassemble as described in the installation instructions. Make sure to open the ball valve.

Hint: To prevent the vault from floating and the screen from being fouled by solids floating in the tank, it is essential to run clear water (as from a hose) into the vault to sink it.

