

## TOP-MOUNT KITCHEN SINK 11401

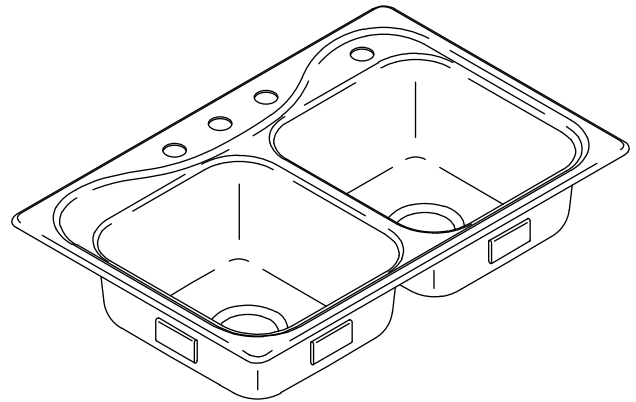
### Features

- 21-gauge stainless steel
- Includes SilentShield® sound-absorption technology
- Double (equal) bowl, ledge back sink
- Top-mount, rolled rim
- Satin deck and luster bowls
- 33" (83.8 cm) x 22" (55.9 cm) x 7" (17.8 cm)

### Codes/Standards Applicable

Specified model meets or exceeds the following:

- ASME A112.19.3/CSA B45.4
- State of Massachusetts



### Colors/Finishes

- NA: None applicable

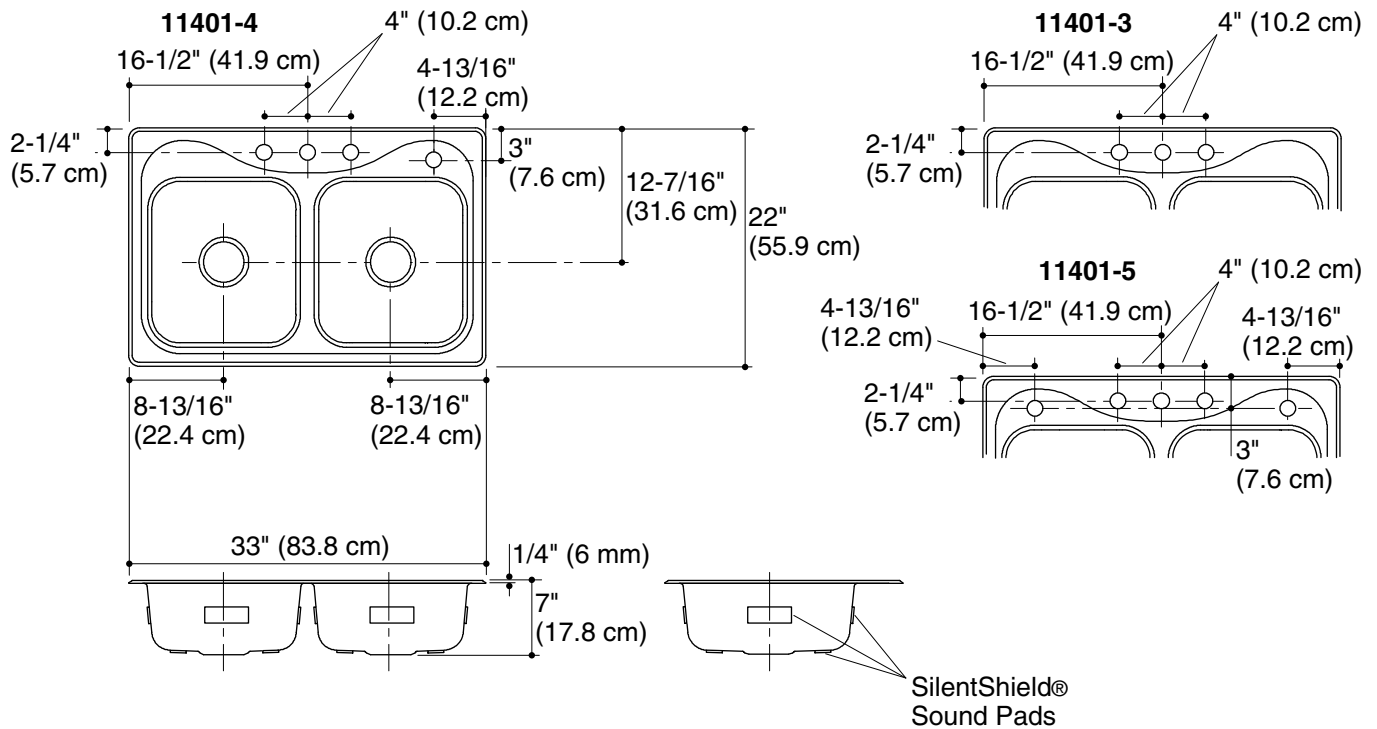
### Specified Model

Model	Description	Faucet Holes	Quantity	Basin Depth	Colors/Finishes
11401-3	Top-mount kitchen sink	3	1	7" (17.8 cm)	<input type="checkbox"/> NA
11401-4	Top-mount kitchen sink (shown)	4	1	7" (17.8 cm)	<input type="checkbox"/> NA
11401-5	Top-mount kitchen sink	5	1	7" (17.8 cm)	<input type="checkbox"/> NA
F11401-3	Top-mount kitchen sink, multi-pack	3	40	7" (17.8 cm)	<input type="checkbox"/> NA
F11401-4	Top-mount kitchen sink, multi-pack	4	40	7" (17.8 cm)	<input type="checkbox"/> NA
F11401-5	Top-mount kitchen sink, multi-pack	5	40	7" (17.8 cm)	<input type="checkbox"/> NA

# SOUTHAVEN®

## Technical Information

Fixture*:	
Sink	
Cutout size	32-1/2" (82.6 cm) x 21-1/2" (54.6 cm) with 1/2" (1.3 cm) radius corners
Bowl areas	14" (35.6 cm) x 15-1/8" (38.4 cm)
Drain holes	3-5/8" (9.2 cm) D.
Faucet holes	1-7/16" (3.7 cm) D.
Cut-out template	1032929-7 (available at <a href="http://sterlingplumbing.com">sterlingplumbing.com</a> )
* Approximate measurements for comparison only.	



## Product Diagram