

Viking Installation Guide



Viking Range Corporation

111 Front Street

Greenwood, Mississippi 38930 USA

(662) 455-1200

For product information,

call 1-888-VIKING1 (845-4641)

or visit the Viking Web site at

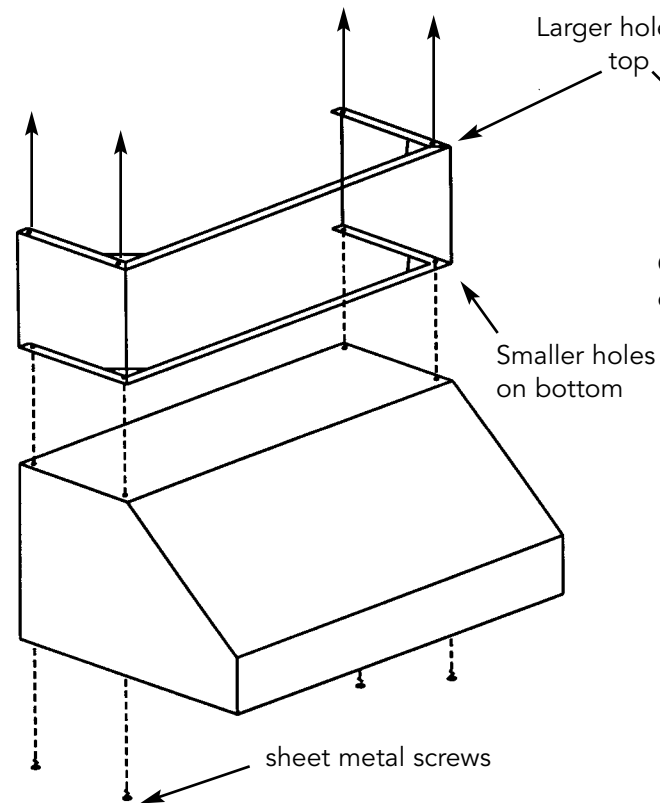
vikingrange.com

Built-In Rangehood Accessories

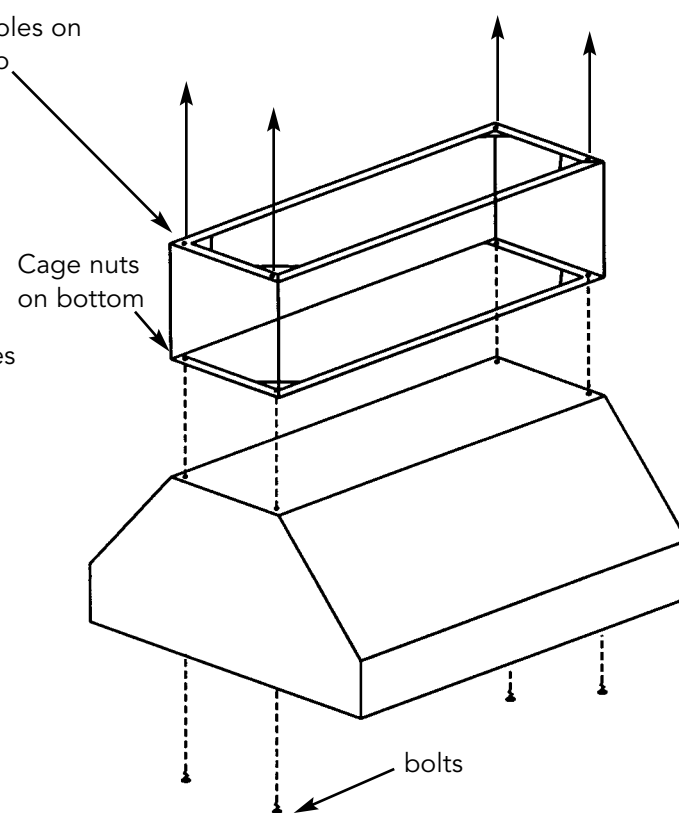
HOOD DUCT COVER

1. Mount duct cover to the ceiling through the screw holes provided. Secure to solid ceiling joists to support the weight with the screws provided.
2. For wall hood models, after mounting the duct cover to the ceiling, attach the hood to the wall and then secure the hood to duct cover using the sheet metal screws provided.
3. For island hood models, after mounting the duct cover to the ceiling, secure the hood by tightening the bolts into the cage-nuts of the duct cover.

WALL RANGEHOOD DUCT COVER



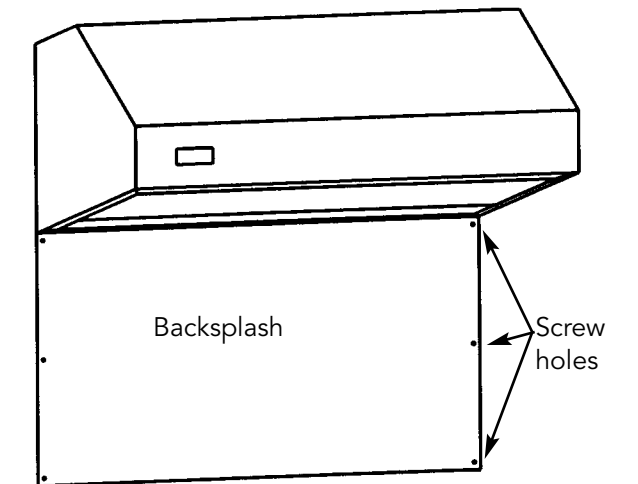
ISLAND RANGEHOOD DUCT COVER



BACKSPLASH

The backsplash is used to cover the wall space between the top of the backguard or high shelf and the bottom of the hood.

Place the backsplash in the desired location. Secure to the wall by placing the screws that are provided in the holes on the backsplash. When screws are used to fasten the panel to materials other than wood, the appropriate type anchor should be used with the screws.



WARMING SHELF PANEL

Always install the warming shelf panel before installing the rangehood.

The warming shelf panel is usually placed on the wall just below the rangehood.

1. Place the bottom of the warming shelf panel in the desired location and secure to the wall.
2. Hook the bottom of the top section to the top of the bottom section and secure to the wall.
3. Install the rangehood so that it will rest on the top ledge of the warming shelf panel.

