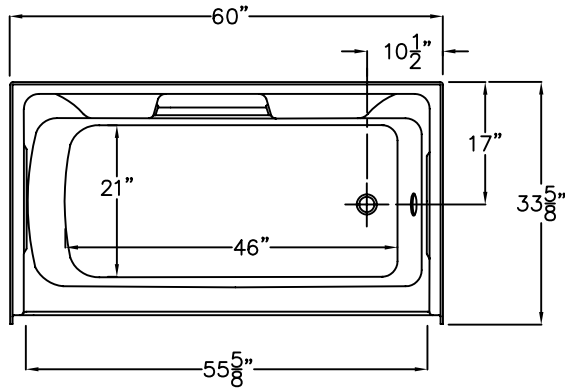


LUXURY GELCOAT SERIES

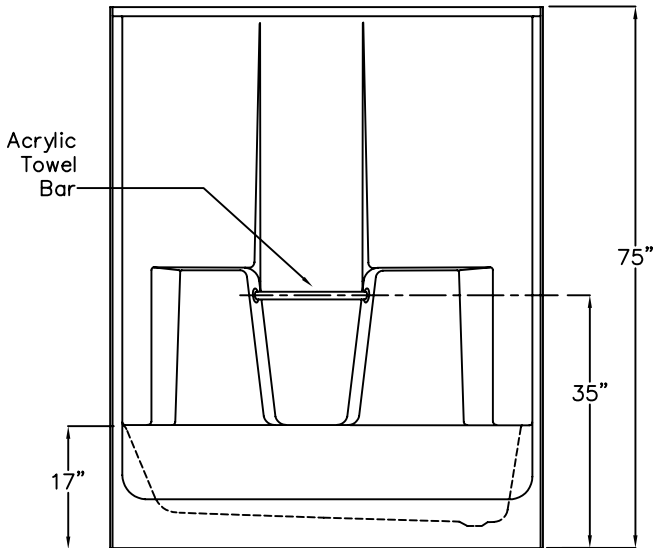
SUBMITTAL DATA

TOP VIEW

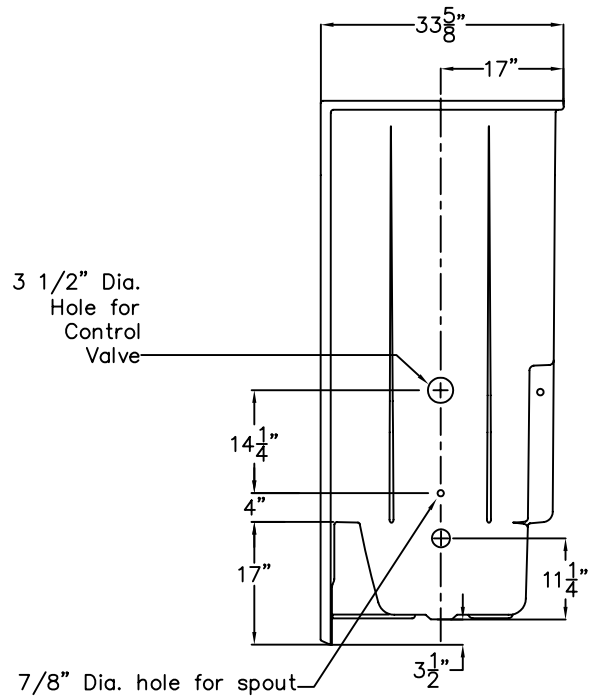


THIS SUBMITTAL IS OF RESIDENTIAL PRODUCTS MODIFIED ACCORDING TO RECEIPIENTS REQUESTS. PRAXIS STRONGLY RECOMMENDS THE USE OF ITS PRODUCTS THAT ARE DISTINCTLY DESIGNED TO RECEIVE GRAB BARS AND OTHER ACCESSORIES. IN SUBMITTING THIS DRAWING, PRAXIS IS COMPLYING WITH THE REQUESTS OF THE RECEIPIENT. PRAXIS DOES NOT ACCEPT RESPONSIBILITY FOR THE EFFACACY OF THIS MODIFIED PRODUCT IN THE INTENDED FACILITY IN LIEU OF PRODUCT THAT IS DISTINCTLY DESIGNED FOR ASSISTING THE BATHER ON ENTRY, WHILE USING AND EXITING THE BATHING FIXTURE.

FRONT VIEW



VALVE SIDE VIEW



TRADITIONAL DESIGN TUB/SHOWER WITH FIVE MOLDED SOAP DISHES AND ACRYLIC TOWEL BAR.
 FACTORY DRILLINGS IN VALVE WALL FOR SPOUT AND CONTROL VALVE. UNIT COMPLIES WITH ANSI Z124.1-2, NAHB, AND UPC.

DUE TO THE NATURE OF THE MATERIALS DIMENSIONS MAY VARY ± 1/2"

Job Name:		HAMILTON	
Model No.:		Drawing#: G 6032 TS VDrill	
Approved by:	Date Approved:	Date: 5-25-07	Revised: 1-16-12
Rep.:	Wholesaler:	Quote No.:	

PRAXIS INDUSTRIES, LLC.
 435 INDUSTRIAL ROAD, SAVANNAH, TN 38372
 1 (800) 326-5489 - FAX (888) 246-0466