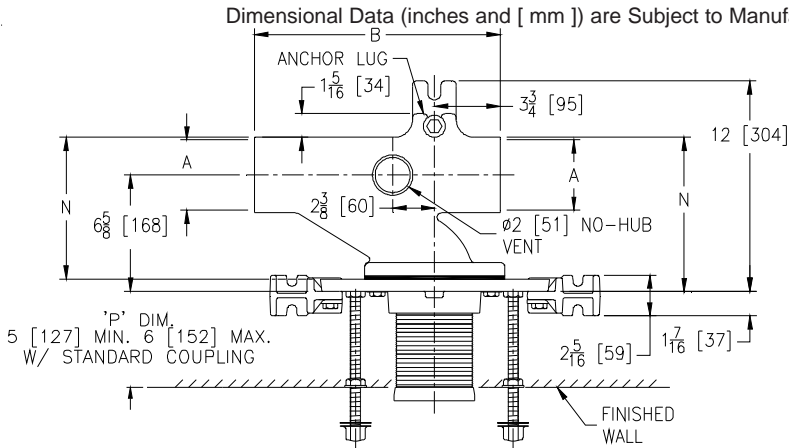




Z1203-N

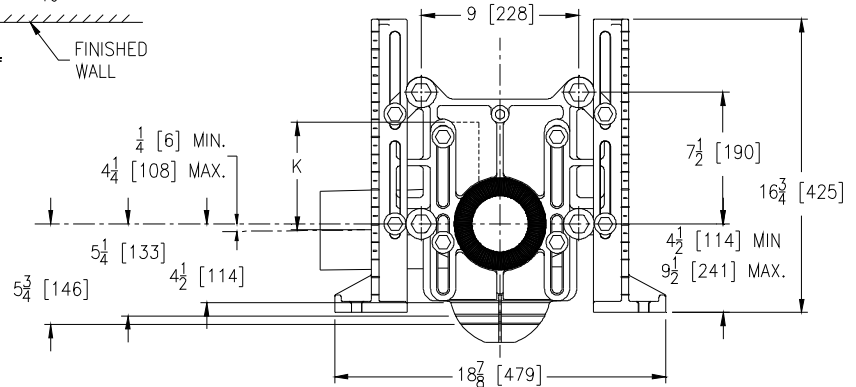
ADJUSTABLE HORIZONTAL SIPHON JET NO-HUB

Dimensional Data (inches and [mm]) are Subject to Manufacturing Tolerances and Change Without Notice



Note:

1. Min. 'P' Dim. Obtainable = 2 [51]
2. Feet bolted to floor using min. 1/2 [13] dia. bolts and back slots on carrier feet.
3. Back anchor foot required for secure installation.



Product Number	Dimensions In Inches [mm]				Approx. Wt. Lbs. [kg.]
	A	B	K	N	
Z1203-NR3	3 [76]	14 [356]	6-1/8 [156]	7-7/16 [189]	64 [29]
Z1203-NL3	3 [76]	14 [356]	6-1/8 [156]	7-7/16 [189]	
Z1203-NR4	4 [102]	14 [356]	6-1/8 [156]	8-7/8 [225]	67 [29]
Z1203-NL4	4 [102]	14 [356]	6-1/8 [156]	8-7/8 [225]	

ENGINEERING SPECIFICATION: ZURN Z1203-N() Adjustable, horizontal siphon jet water closet "Rigid System" with No-Hub connections. Complete with Dura-Coated cast iron right hand or left hand main fitting, with 2" [51mm] vent, adjustable gasketed faceplate, universal floor mounted foot supports, corrosion resistant adjustable polymer coupling with integral test cap, fixture bolts, trim, and stud protectors. Rear anchor tie down and bonded "Neo-Seal" gasket.

OPTIONS (Check/specify appropriate options)

- ___ Z1203-NR3 3 [76] No-Hub Right-Hand Inlet with Flow to Left
- ___ Z1203-NL3 3 [76] No-Hub Left-Hand Inlet with Flow to Right
- ___ Z1203-NR4 4 [102] No-Hub Right-Hand Inlet with Flow to Left
- ___ Z1203-NL4 4 [102] No-Hub Left-Hand Inlet with Flow to Right

PREFIXES

- ___ Z D.C.C.I. System w/ Zurn "ZZ" Adjustable Coupling*
- ___ ZQ D.C.C.I. System w/ NPT Faceplate, Non-Adjustable Coupling

SUFFIXES

- ___ -A Auxiliary Support Assembly (for 'P' Dim. Greater Than 18 [457])
- ___ -B Blowout Type Fixture Support
- ___ -CC Corrosion Resistant Cast Iron Coupling (6 - 12 [151 - 305])
- ___ -CL Coupling Length Greater Than 12 [305] (Specified Length Required)
- ___ -F Floor Mounted, Back Outlet Fixture Support
- ___ -JC 2 [51] Inch Auxiliary Inlet with Sanitary Sweep on Faceplate Centerline
- ___ -M Auxiliary Foot Support (for 'P' Dim. 10 - 18 [254 - 457])
- ___ -PF Pre-Fab Foot
- ___ -PS Pre-Fab Slotted Foot
- ___ -RYK Unistrut Pre-Fab Foot
- ___ -VP Vandal-Proof Trim
- ___ -X3 3 [76] Carrier Foot Extension Assembly
- ___ -X4 4 [102] Carrier Foot Extension Assembly
- ___ -45 Finishing Frame for Siphon Jet System (for Blowout System specify -45-B)
- ___ -50 Flush Valve Supply Support for Water Closets

* Regularly furnished unless otherwise specified.