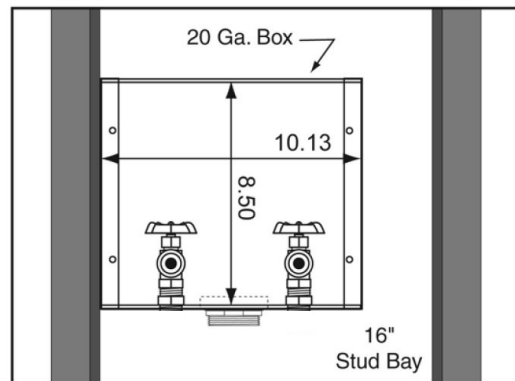
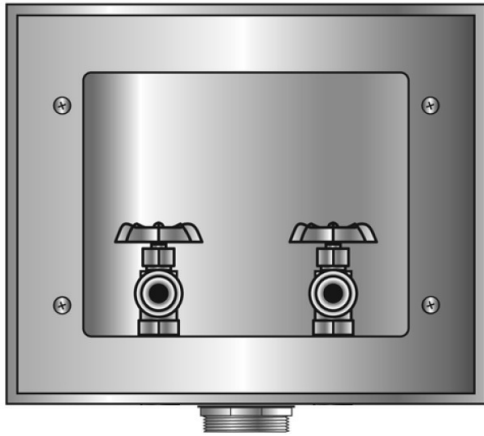


SPECIFICATION SUBMITTAL SHEET



CENTER DRAIN GALVANIZED WMOB with Domestic Valves



Specifications:

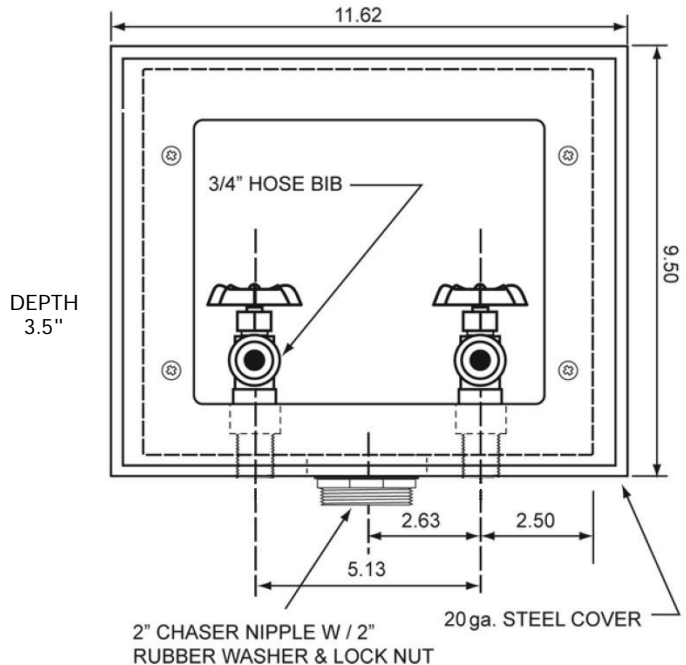
Furnish and install galvanized center drain washing machine outlet box with domestic valves. Unit shall be Guy Gray product code checked below as manufactured by IPS Corporation

Box Material:

G90 Hot Dipped Galvanized Steel (unpainted)
20 gauge box with 20 gauge faceplate

Valve & Drain Options:

Domestic Valve with 1/2" MIP/Sweat, PEX or CPVC connection furnished. 1-1/2" Threaded or 2" Threaded Drain. Valves comply with ASME A112.18.1



Item #	Product Description	Model #	Quantity
82026	Domestic Valve w/ 1/2" MIP/Sweat Conx. Valve, 1-1/2" Threaded Drain Fitting	B150	6
82032	Domestic Valve w/ 1/2" MIP/Sweat Conx. Valve, 2" Threaded Drain Fitting	B200	6
82036	Top Mount 1/2" MIP/Sweat Conx. Valves, 2" Threaded Drain Fitting	BB200TS	6
81974	Domestic Valve w/ 1/2" Pex conx., 2" Threaded Drain	B200X	6
81975	Domestic Valve w/ 1/2" CPVC conx., 2" Threaded Drain	B200C	6

