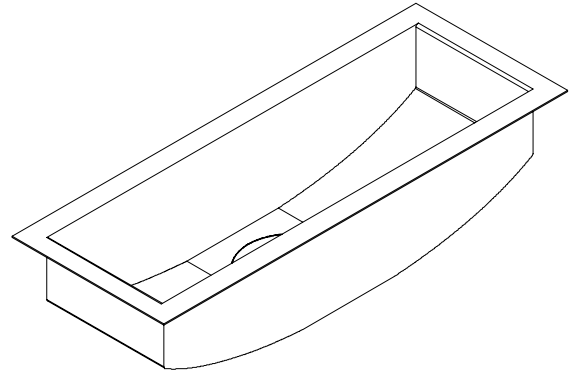


FEATURES

- 22" (55.9cm) x 8-1/4" (21cm)
- 16 gauge stainless steel
- Undercounter
- Single compartment
- Includes installation hardware
- Includes wire basket and rack



CODES/STANDARDS APPLICABLE

Specified model meets or exceeds the following:

- IAPMO/UPC
- CSA B45
- ASME A112.19.3

COLORS/FINISHES

- NA None Applicable

Accessories:

- CP Polished Chrome
- ST Electro-polished Stainless Steel
- Other Refer to Price Book for additional colors

SPECIFIED MODEL:

Model	Description	Colors/Finishes	
K-3179	Undercounter sink	<input type="checkbox"/> NA	
Included Accessories			
K-3127	Wire basket	<input type="checkbox"/> ST	
K-3136	Wire rack	<input type="checkbox"/> ST	
Optional Accessories			
K-8801	Duostrainer sink strainer	<input type="checkbox"/> CP	<input type="checkbox"/> Other _____

PRODUCT SPECIFICATION:

The undercounter sink shall be 22" (55.9cm) in length, and 8-1/4" (21cm) in width. Sink shall be made of 16 gauge stainless steel. Sink shall be single compartment. Sink shall include installation hardware. Sink shall include wire basket and rack. Sink shall be Kohler Model K-3154-_____.

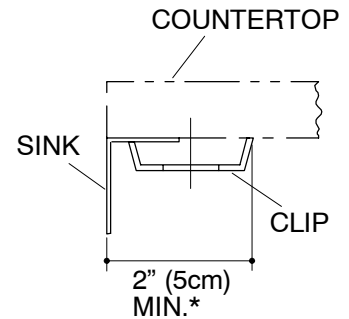
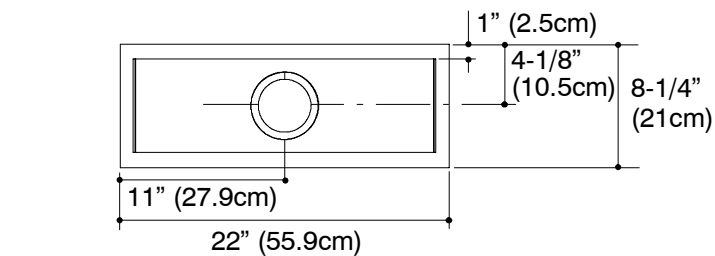
UNDERTONE™

PRODUCT INFORMATION

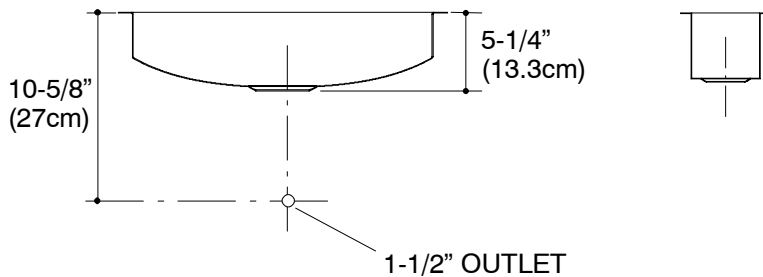
Fixture*:		basin area	water depth
Sink		20" (50.8cm) x 6-3/4" (17.1cm)	4-7/8" (12.4cm)
Outlet	3-5/8" D. (9.2cm)		

* Approximate measurements for comparison only.

Included Components:	
Hardware kit	91915
Cutout template	1022026-7



*ALLOW CLEARANCE AROUND SINK RIM FOR CLIP ATTACHMENT.



PRODUCT DIAGRAM