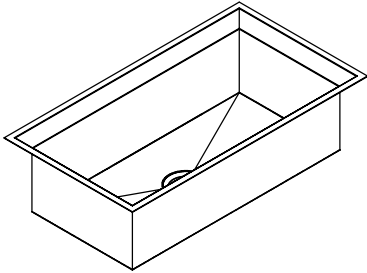


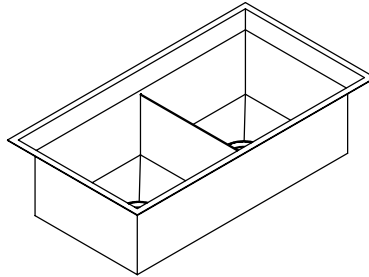
# Installation Guide

## Beveled Stainless Steel Sinks

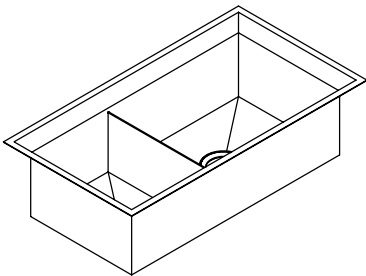
K-3387



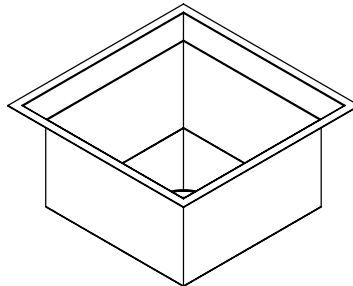
K-3388



K-3389



K-3391



THE BOLD LOOK  
OF **KOHLER**®

## Tools and Materials



Pencil and  
Marker



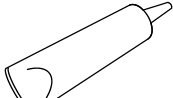
Measuring Tape



Drill



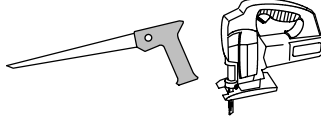
Scissors



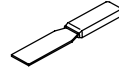
Sealant



Safety Glasses



Keyhole/Compass  
or Saber Saw



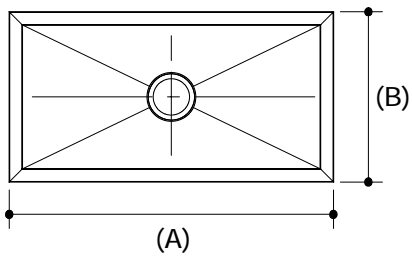
Putty Knife

## Thank You For Choosing Kohler Company

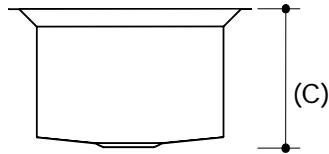
We appreciate your commitment to Kohler quality. Please take a few minutes to review this manual before you start installation. If you encounter any installation or performance problems, please don't hesitate to contact us. Our phone numbers and website are listed on the back cover. Thanks again for choosing Kohler Company.

## Before You Begin

- Refer to the Homeowners Guide to determine all necessary components for your installation.
- The Kohler K-5806 or K-5807 Undermounter™ Kit is appropriate for use with this installation.
- Remove the sink from its carton and inspect for damage.
- During installation, store the sink in the protective carton whenever possible.
- Observe all local plumbing and building codes.
- When installing multiple sinks, there should be a minimum 2-3/16" (5.6cm) distance between them.



(A)  
Front

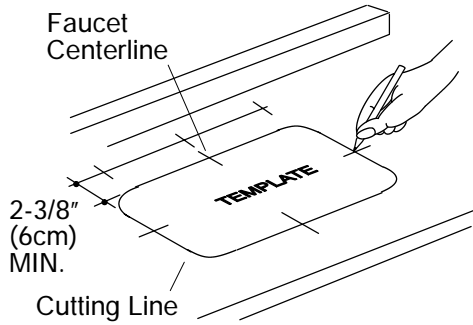


Side

**SINGLE BASIN SINK - OVERALL DIMENSIONS**

Model	(A)	(B)	Depth (C)	No. of Brackets
K-3387	33" (83.8cm)	18" (45.7cm)	9-7/16" (24cm)	16
K-3187	33" (83.8cm)	18" (45.7cm)	9-7/16" (24cm)	16
K-3188	33" (83.8cm)	18" (45.7cm)	9-7/16" (24cm)	16
K-3189	18" (45.7cm)	18" (45.7cm)	9-7/16" (24cm)	12

**1. Roughing-In Dimensions**



## 2. Position the Template

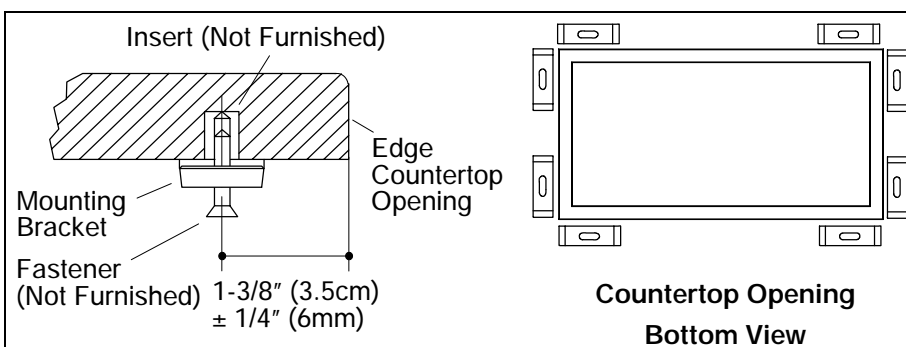
- Cut the template following the lines marked "Cut on this line".
  - Determine your desired installation location. Use the center lines provided on the template to assist in positioning.
  - Position the template on the countertop in the desired location. Make sure the template is secured firmly in place so it cannot move.
  - Check for adequate clearance between the sink, faucet and backsplash. Verify that the sink will not interfere with the cabinet during installation.
  - Trace the outside edges of the template with a pencil.
- NOTE:** For multiple sink installations, a minimum distance of 2-3/16" (5.6cm) is required between the sinks.
- Locate the faucet hole center lines on the countertop. The faucet hole clearance from the top of the cutout must be 2-3/8" (3cm) minimum.

## 3. Cut the Sink Mounting Holes



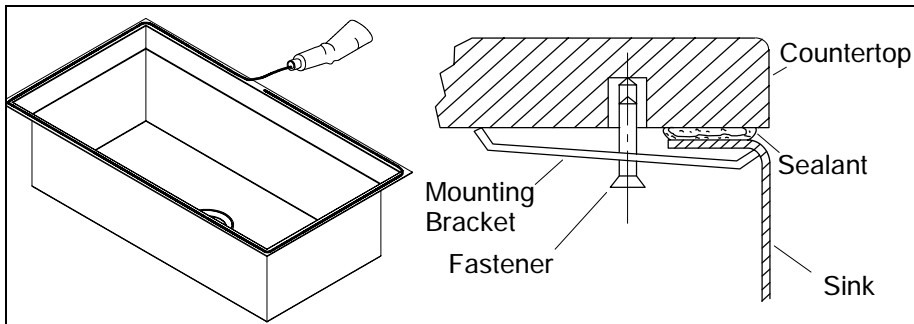
**CAUTION: Risk of product damage.** To avoid damage to the sink, do not cut, drill, or sand the countertop while it is positioned over the sink.

- Before cutting, measure the cut-out line and compare it to the overall sink dimension. The cut-out should be 1-1/2" (3.8cm) smaller than the overall sink dimensions.
- Drill a pilot hole inside the cut-out line.
- Using a saber or keyhole saw, cut along the inside of the cut-out line.
- Drill the required faucet holes and install the faucet to the countertop according to the faucet manufacturer's instructions.



#### 4. Install the Mounting Brackets

- For laminate type countertops, make sure that all exposed non-laminated surfaces located near the cut-out area are finished and sealed in order to prevent damage from water absorption.
- Equally space the required number of mounting brackets (see chart on roughing-in page) and locate the mounting holes on the underside of the countertop 1-3/8" (3.5cm) from the edge of the countertop opening.
- The type of fastener needed is dependant upon the countertop material and should be recommended by the countertop supplier.
- Loosely install the mounting brackets to the countertop.
- Turn the brackets parallel to the opening to allow for easy installation of the sink.



## 5. Apply the Sealant

- Clean all residue from the top rim of the sink.
- Clean the underside of the countertop around the cut-out area and make sure the surface is smooth and free of defects.
- Apply a generous bead of silicone or latex sealant to the rim of the sink near the inside edge.

## 6. Finish the Installation

- Position and align the sink with the opening in the countertop. The corner of the sink should be flush with the inside edge of the countertop.
- Rotate the mounting brackets over the sink rim.
- Tighten each bracket until snug while maintaining proper alignment.
- Wipe away any excess sealant with a dry cloth.
- Allow the sealant to cure for a minimum of 30 minutes. Follow the instructions provided with the sealant.
- Connect the drain fitting and faucet supply fittings.
- Turn on the water and check for leaks at all connections.
- Tighten any connections that leak.



USA: 1-800-4-KOHLER  
Canada: 1-800-964-5590  
Mexico: 001-877-680-1310  
[kohler.com](http://kohler.com)

THE BOLD LOOK  
OF **KOHLER**®

© 2003 Kohler Co.

1021992-2-A