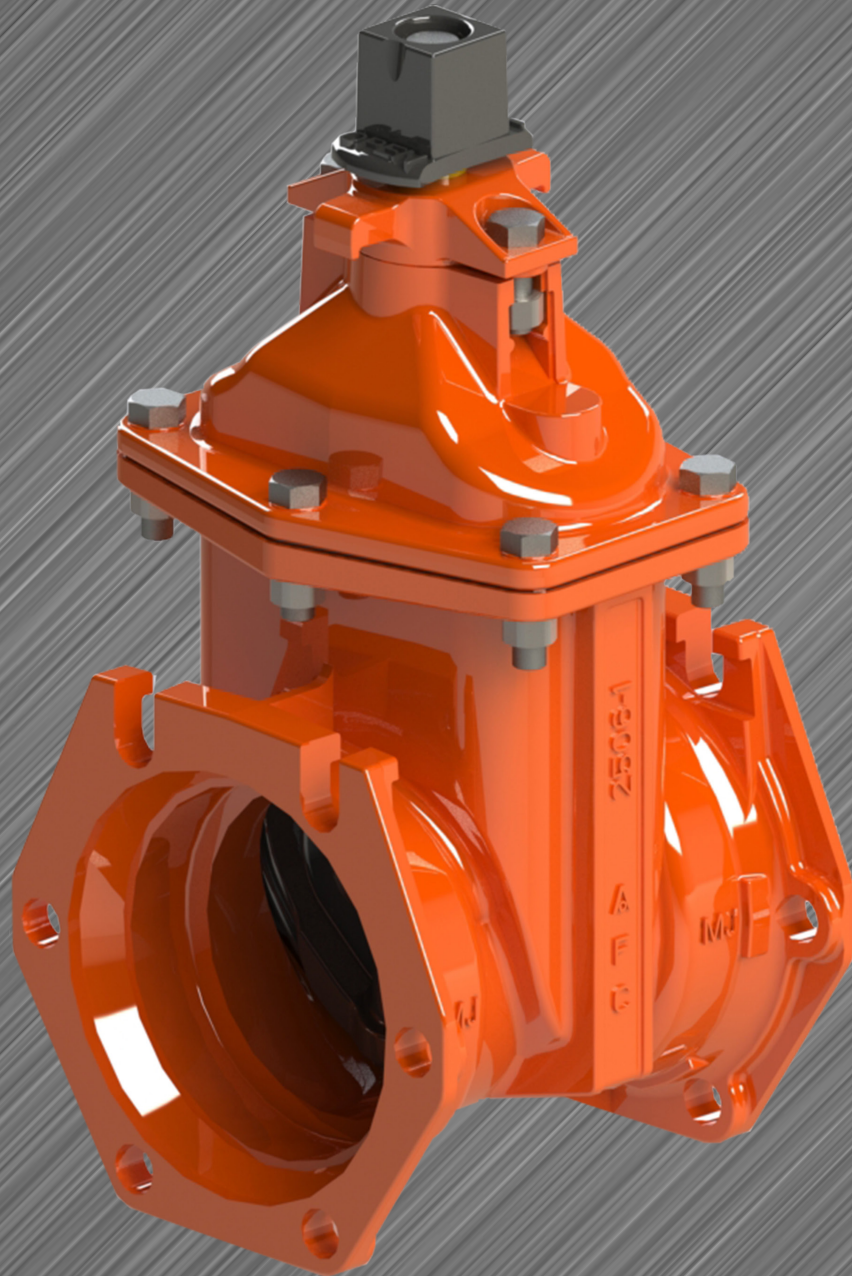
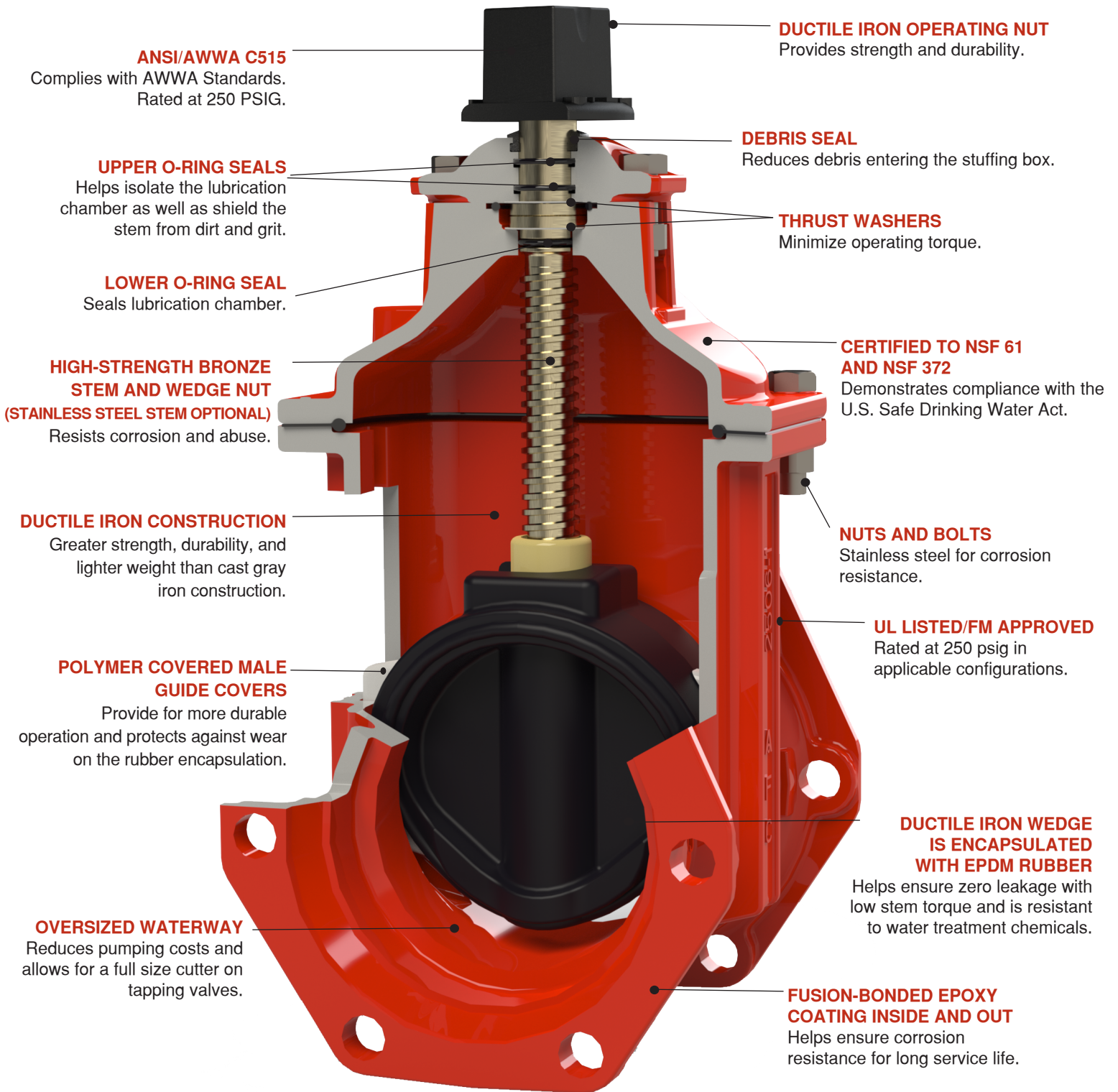


2"-12" SERIES 2500 NRS RESILIENT WEDGE GATE VALVES  
BY AMERICAN FLOW CONTROL®



**AMERICAN**®  
FLOW CONTROL  
THE RIGHT WAY

## CONSTRUCTION



**ANSI/AWWA C515**

Complies with AWWA Standards.  
Rated at 250 PSIG.

**UPPER O-RING SEALS**

Helps isolate the lubrication chamber as well as shield the stem from dirt and grit.

**LOWER O-RING SEAL**

Seals lubrication chamber.

**HIGH-STRENGTH BRONZE STEM AND WEDGE NUT (STAINLESS STEEL STEM OPTIONAL)**

Resists corrosion and abuse.

**DUCTILE IRON CONSTRUCTION**

Greater strength, durability, and lighter weight than cast gray iron construction.

**POLYMER COVERED MALE GUIDE COVERS**

Provide for more durable operation and protects against wear on the rubber encapsulation.

**OVERSIZED WATERWAY**

Reduces pumping costs and allows for a full size cutter on tapping valves.

**DUCTILE IRON OPERATING NUT**

Provides strength and durability.

**DEBRIS SEAL**

Reduces debris entering the stuffing box.

**THRUST WASHERS**

Minimize operating torque.

**CERTIFIED TO NSF 61 AND NSF 372**

Demonstrates compliance with the U.S. Safe Drinking Water Act.

**NUTS AND BOLTS**

Stainless steel for corrosion resistance.

**UL LISTED/FM APPROVED**

Rated at 250 psig in applicable configurations.

**DUCTILE IRON WEDGE IS ENCAPSULATED WITH EPDM RUBBER**

Helps ensure zero leakage with low stem torque and is resistant to water treatment chemicals.

**FUSION-BONDED EPOXY COATING INSIDE AND OUT**

Helps ensure corrosion resistance for long service life.



### FEATURES/BENEFITS

The AMERICAN Series 2500 Ductile Iron Resilient Wedge Gate Valve can be used in a number of applications including drinking water, fire protection, irrigation, reclaimed water, wastewater and as a supplement to backflow prevention.

#### Stem Seals

Sealing the lubrication chamber is a series of three O-ring stem seals. The O-rings help to isolate the lubrication chamber.

#### Debris Seal

Reduces debris entering the stuffing box.

#### Thrust Washers

Two thrust washers are used. One is located above and one is located below the thrust collar. The use of thrust washers helps provide easy operation.

#### Fusion-Bonded Epoxy

The Series 2500 valve is epoxy coated on the interior and the exterior. The fusion-bonded epoxy coating is applied prior to assembly so the bolt holes and body-to-bonnet flange surfaces are also coated.

**The Series 2500 Ductile Iron Resilient Wedge Gate Valve has these standard features:**

- 250 psig AWWA, UL and FM Pressure Rating in applicable configurations
- UL Listed-FM Approved configurations
- Seat Tested at 375 psig
- Shell Tested at 500 psig
- Fusion-Bonded Epoxy Coating Complies With ANSI/AWWA C550
- Debris Seal reduces debris entering the stuffing box

#### Ductile Iron Construction

The ductile iron body, bonnet and wedge provide strength and durability as well as a pressure rating that meets or exceeds the requirements of ANSI/AWWA C515. The tensile strength of ductile iron is more than twice that of cast iron. This added strength makes the Series 2500 more durable and allows for a 250 psig pressure rating. The valve is provided in a compact, lightweight and easy-to-handle ductile iron valve.

#### Pressure-Energized Bonnet Gaskets

The body-to-bonnet seals incorporate pressure-energized o-rings which reduces the need for excessive bolt loading required by designs that use flat gaskets. The gaskets are typically reusable, which reduces downtime during any needed repair.

#### End Configurations

The Series 2500 Resilient Wedge Gate Valve is available with numerous end configurations, including ALPHA™ restrained joint ends in sizes 4 in. - 12 in..

- Triple O-ring Stem Seals
- Thrust Washers
- Smooth Larger Than Nominal Waterway
- Leak-Tight Closure
- Valve is Certified to NSF/ANSI/CAN 61 and NSF/ANSI/CAN 372
- Complies with ANSI/AWWA C515
- Sizes 4"-12" Feature Fully Rubber-Encapsulated Wedges with polymer guide covers

### SAMPLE SPECIFICATION

Valves 2"-12" in size shall be of a resilient wedge design. The valve shall have a cold water rated working pressure of 250 psig. All cast ferrous components shall be ductile iron and shall be manufactured in compliance with the latest edition of ANSI/AWWA C515. The valve shall also be UL Listed and FM Approved, in applicable configurations. All valves shall be certified to NSF/ANSI/CAN 61 and NSF/ANSI/CAN 372.

The valve design shall be lightweight, easy to handle, and constructed with wall thickness per Table 3 of ANSI/AWWA C515. Heavy wall and/or cast gray iron bodies are not acceptable. The valve shall have a smooth and oversize waterway and have the marking "D.I." or "Ductile Iron" cast onto the body. The valve wedge shall be constructed of ductile iron in sizes 4"-12". All 4"-12" wedges shall be fully encapsulated with EPDM rubber and provided with male type guides and polymer guide covers.

Valve stems shall be sealed by three O-rings. Two of the O-rings shall reside above the thrust collar. Thrust collar shall be integral to the valve stem. Multi-piece collars that wrap around stem are not acceptable. O-rings set in a cartridge shall not be allowed.

Valves 2-1/2"-12" shall be furnished with a debris seal above the stuffing box O-rings. This seal shall also be capable of sealing against internal or external pressure equal to the valve's rated working pressure.

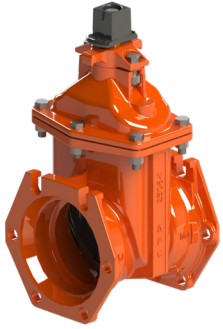
The valve shall also be equipped with thrust washers above and below the stem thrust collar for reduced operating torque.

All exterior valve body bolting shall be stainless steel and shall be provided with hexagonal heads with dimensions conforming to ANSI B18.2.1. Metric size and/or socket head cap screws, or bolts, are not allowed. The operating nut shall be 2" square and shall be constructed of ductile iron fitted to a square tapered stem to help ensure even distribution of input torque. All body gaskets shall be of the pressure energized O-ring style design.

All internal and external ferrous surfaces of the valve body and bonnet shall have fusion-bonded epoxy coating, complying with ANSI/AWWA C550.

All valves shall be the AMERICAN Flow Control **Series 2500 or 2500-1 Resilient Wedge Gate Valves.**

## AVAILABLE 2"–12" NRS END CONFIGURATIONS



MJ x MJ



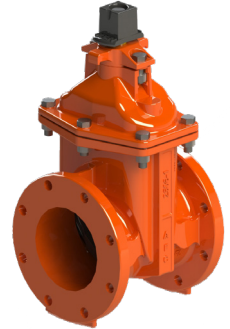
ALPHA x ALPHA



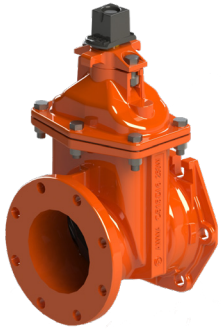
ALPHA x FL



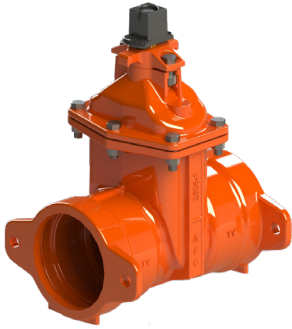
ALPHA x MJ



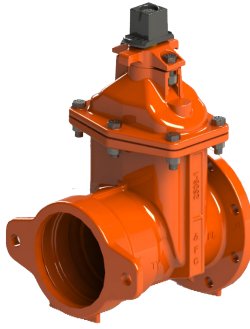
FL x FL



FL x MJ



TY x TY



TY x FL



PVC x PVC



THREADED

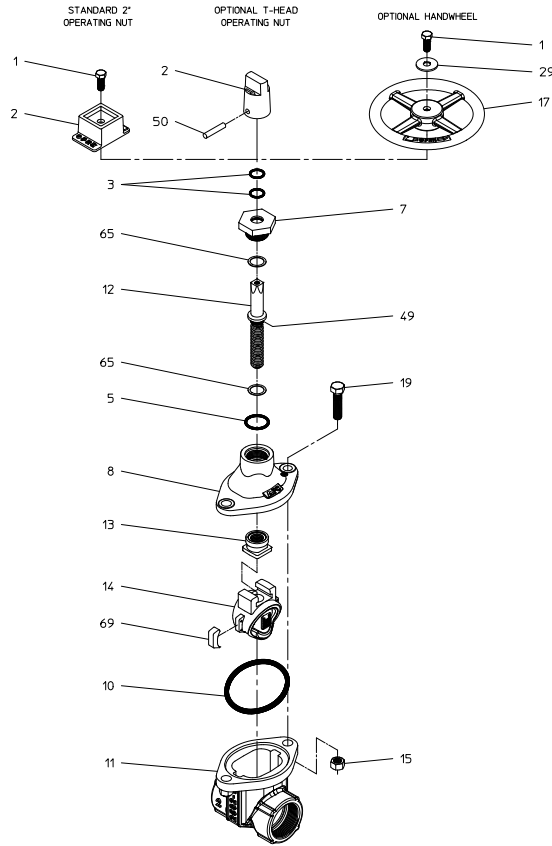
### Series 2500 & Series 2500-1

End Configuration	Valve Size							
	2"	2-1/2"	3"	4"	6"	8"	10"	12"
MJ x MJ	•		•	•	•	•	•	•
ALPHA x ALPHA				•	•	•	•	•
ALPHA x FL				•	•	•	•	•
ALPHA x MJ					•			
FL x FL (Class 125)	•	•	•	•	•	•	•	•
FL x FL (Class 250)			•	•	•	•	•	•
FL x MJ			•	•	•	•	•	•
TY x TY				•	•	•	•	•
TY x FL				•	•	•	•	•
PVC x PVC	•	•	•	•	•	•	•	•
Threaded	•	•	•					

1. Bolt patterns of Class 125 flanged ends are in accordance with ANSI/AWWA C110/A21.10 (ASME B16.1 Class 125).
2. Threaded ends are in accordance with ASME B16.4, Class 125.
3. Mechanical joint ends are in accordance with ANSI/AWWA C111/A21.11.
4. PVC ends are suitable for use on steel (IPS) sizes of PVC or steel pipe.

5. ALPHA™ is a licensed trademark of Romac Industries, Inc. (U.S. Patent 8,894,100)
6. Push-on ends are in accordance with ANSI/AWWA C111/A21.11 for use on ductile iron pipe sizes. Valves are furnished with TYTON® (TY) ends. TYTON® is a registered trademark of United States Pipe and Foundry Co., LLC.

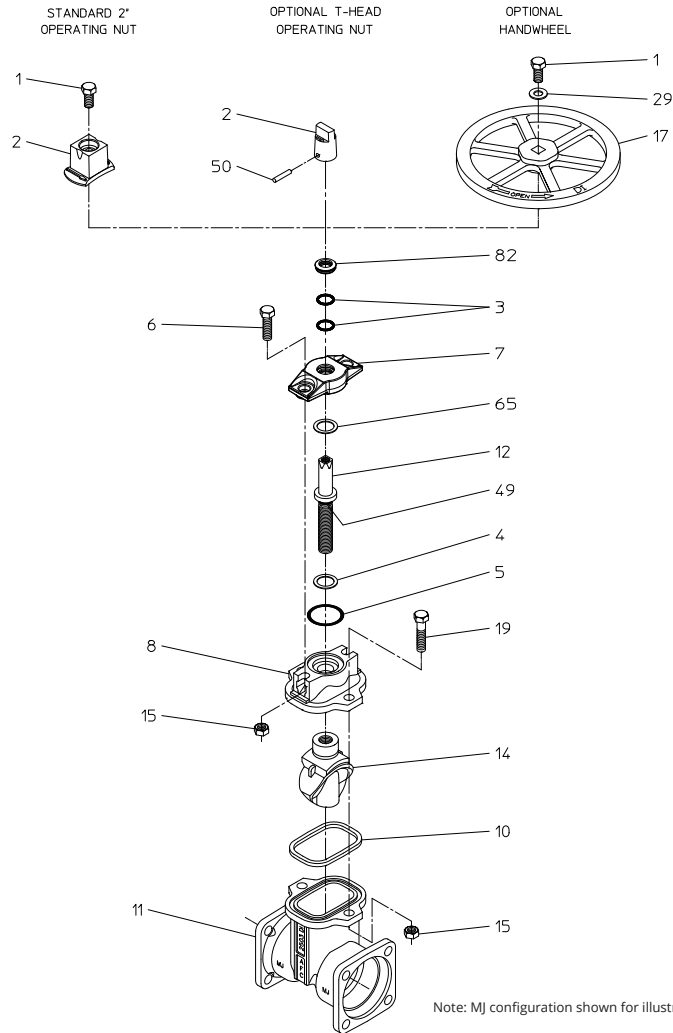
## STANDARD 2" NRS PARTS LIST



L436

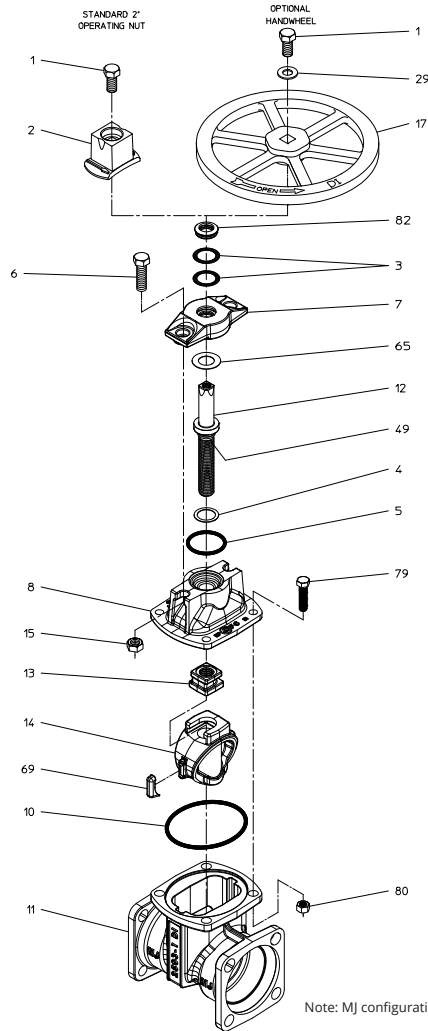
REFERENCE NUMBER	DESCRIPTION	MATERIAL	QTY Series 2500-1
1	Hex Head Bolt, 3/8-16 x 1"	Stainless Steel	1
2	Operating Nut, 2" Square	Ductile Iron	1
	Operating Nut, T-Head (Optional)		
3	O-ring	Rubber	2
5	Stuffing Box Gasket	Rubber O-ring	1
7	Stuffing Box	Brass	1
8	Bonnet	Ductile Iron	1
10	Bonnet Gasket	Rubber	1
11	Body	Ductile Iron	1
12	Stem	Stainless Steel	1
13	Wedge Nut	Bronze	1
14	Resilient Wedge	Cast Bronze, Coated with EPDM Rubber	1
15	Hex Nut, 1/2-13	Stainless Steel	2
17	Handwheel	Cast Aluminum	1
19	Hex Head Bolt, 1/2-13 x 2"	Stainless Steel	2
29	Flat Washer, 3/8	Stainless Steel	1
49	O-ring	Rubber	1
50	Spirol Pin, 5/16 x 1-1/2"	Stainless Steel	1
65	Thrust Washer	Stainless Steel	2
69	Wedge Cover	Polymer	2

# STANDARD 2-1/2" NRS PARTS LIST



REFERENCE NUMBER	DESCRIPTION	MATERIAL	QTY
			Series 2500 2-1/2"
1	Hex Head Bolt, 5/8-11 x 1"	Stainless Steel	1
2	Operating Nut, 2" Square	Ductile Iron	1
	Operating Nut, T-Head (Optional)		1
3	O-ring	Rubber	2
4	Lower Thrust Washer	Nylon	1
5	Stuffing Box Gasket	Rubber O-ring	1
6	Hex Head Bolt, 5/8-11 x 1-3/4"	Stainless Steel	2
7	Stuffing Box	Ductile Iron	1
8	Bonnet	Ductile Iron	1
10	Bonnet Gasket	Rubber	1
11	Body	Ductile Iron	1
12	Stem	Bronze (Stainless Steel Optional)	1
14	Resilient Wedge	Cast Bronze, Coated with EPDM Rubber	1
15	Hex Nut, 5/8-11	Stainless Steel	4
17	Handwheel	Ductile Iron	1
19	Hex Head Bolt, 5/8-11 x 2-1/4"	Stainless Steel	2
29	Flat Washer, 5/8	Stainless Steel	1
49	O-ring	Rubber	1
50	Spirol Pin, 5/16 x 1-1/2"	Stainless Steel	1
65	Upper Thrust Washer	Stainless Steel	1
82	Debris Seal	Rubber	1

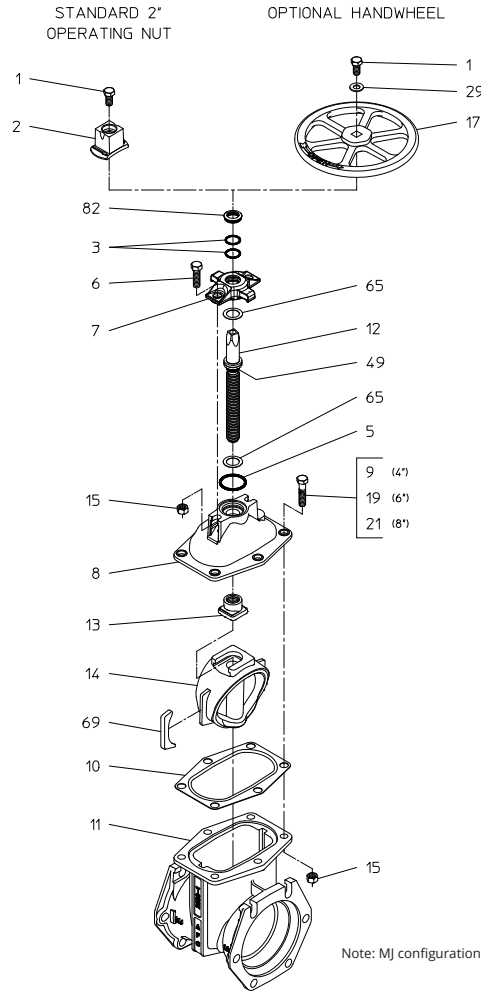
**STANDARD 3" NRS PARTS LIST**



Note: MJ configuration shown for illustrative purposes only.

REFERENCE NUMBER	DESCRIPTION	MATERIAL	QTY Series 2500-1
1	Hex Head Bolt, 5/8-11 x 1"	Stainless Steel	1
2	Operating Nut, 2" Square	Ductile Iron	1
3	O-ring	Rubber	2
4	Lower Thrust Washer	Stainless Steel	1
5	Stuffing Box Gasket	Rubber O-ring	1
6	Hex Head Bolt, 5/8-11 x 1-3/4"	Stainless Steel	2
7	Stuffing Box	Ductile Iron	1
8	Bonnet	Ductile Iron	1
10	Bonnet Gasket	Rubber	1
11	Body	Ductile Iron	1
12	Stem	Bronze (Stainless Steel Optional)	1
13	Wedge Nut	Bronze	1
14	Resilient Wedge	Ductile Iron, Encapsulated with EPDM Rubber	1
15	Hex Nut, 5/8-11	Stainless Steel	4
17	Handwheel	Ductile Iron	1
29	Flat Washer, 5/8	Stainless Steel	1
49	O-ring	Rubber	1
65	Upper Thrust Washer	Stainless Steel	1
69	Wedge Cover	Polymer	2
79	Hex Head Bolt, 1/2-13 x 1-3/4"	Stainless Steel	4
80	Hex Nut, 1/2-13		4
82	Debris Seal	Rubber	1

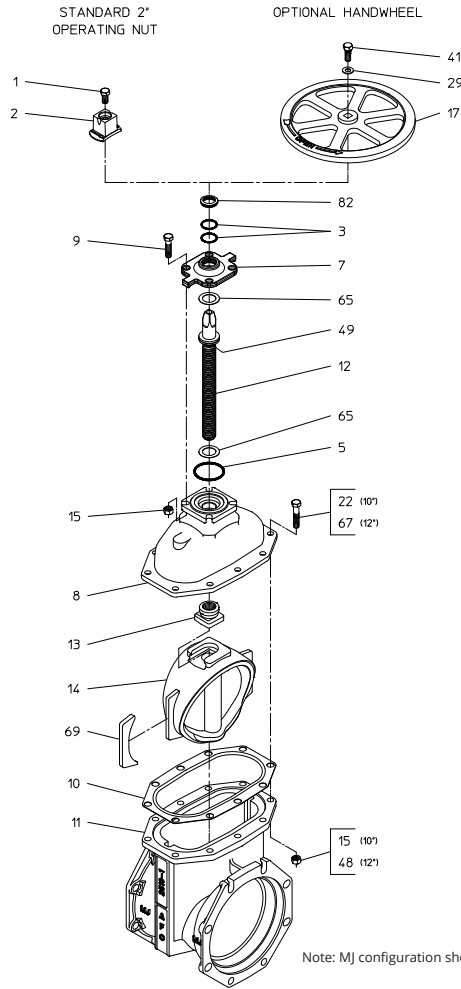
# STANDARD 4" - 8" NRS PARTS LIST



REFERENCE NUMBER	DESCRIPTION	MATERIAL	QTY Series 2500-1		
			4"	6"	8"
1	Hex Head Bolt, 5/8-11 x 1"	Stainless Steel	1	1	1
2	Operating Nut, 2" Square	Ductile Iron	1	1	1
3	O-ring	Rubber	2	2	2
5	Stuffing Box Gasket	Rubber O-ring	1	1	1
6	Hex Head Bolt, 5/8-11 x 1-3/4"	Stainless Steel	2	2	2
7	Stuffing Box	Ductile Iron	1	1	1
8	Bonnet	Ductile Iron	1	1	1
9	Hex Head Bolt, 5/8-11 x 2"	Stainless Steel	4	-	-
10	Bonnet Gasket	EPDM Rubber	1	1	1
11	Body	Ductile Iron	1	1	1
12	Stem	Bronze (Stainless Steel Optional)	1	1	1
13	Wedge Nut	Bronze	1	1	1
14	Resilient Wedge	Ductile Iron, Encapsulated with EPDM Rubber	1	1	1
15	Hex Nut, 5/8-11	Stainless Steel	6	8	10
17	Handwheel	Ductile Iron	1	1	1
19	Hex Head Bolt, 5/8-11 x 2-1/4"	Stainless Steel	-	6	-
21	Hex Head Bolt, 5/8-11 x 2-1/2"	Stainless Steel	-	-	8
29	Flat Washer, 5/8	Stainless Steel	1	1	1
49	O-ring	Rubber	1	1	1
65	Thrust Washer	Stainless Steel	2	2	2
69	Wedge Cover	Polymer	2	2	2
82	Debris Seal	Rubber	1	1	1



## STANDARD 10" & 12" NRS PARTS LIST



REFERENCE NUMBER	DESCRIPTION	MATERIAL	QTY Series 2500-1	
			10"	12"
1	Hex Head Bolt, 5/8-11 x 1"	Stainless Steel	1	1
2	Operating Nut, 2" Square	Ductile Iron	1	1
3	O-ring	Rubber	2	2
5	Stuffing Box Gasket	Rubber O-ring	1	1
7	Stuffing Box	Ductile Iron	1	1
8	Bonnet	Ductile Iron	1	1
9	Hex Head Bolt, 5/8-11 x 2"	Stainless Steel	4	4
10	Bonnet Gasket	EPDM Rubber	1	1
11	Body	Ductile Iron	1	1
12	Stem	Bronze (Stainless Steel Optional)	1	1
13	Wedge Nut	Bronze	1	1
14	Resilient Wedge	Ductile Iron, Encapsulated with EPDM Rubber	1	1
15	Hex Nut, 5/8-11	Stainless Steel	14	4
17	Handwheel	Ductile Iron	1	1
22	Hex Head Bolt, 5/8-11 x 2-3/4"	Stainless Steel	10	-
29	Flat Washer, 5/8	Stainless Steel	1	1
41	Hex Head Bolt, 5/8-11 x 1-1/2"	Stainless Steel	1	1
48	Hex Nut, 3/4-10	Stainless Steel	-	10
49	O-ring	Rubber	1	1
65	Thrust Washer	Stainless Steel	2	2
67	Hex Head Bolt, 3/4-10 x 3"	Stainless Steel	-	10
69	Wedge Cover	Polymer	2	2
82	Debris Seal	Rubber	1	1



# AMERICAN<sup>®</sup>

## FLOW CONTROL

### THE RIGHT WAY

#### **AMERICAN Flow Control**

**P.O. Box 2727  
Birmingham, AL 35202-2727  
Phone: 800-326-8051  
Fax: 800-610-3569  
Email: [afcsales@american-usa.com](mailto:afcsales@american-usa.com)**

#### **Waterous Company**

**125 Hardman Avenue South  
South St. Paul, MN 55075-2421  
Phone: 888-266-3686  
Fax: 800-601-2809  
Email: [afcsales@american-usa.com](mailto:afcsales@american-usa.com)**

**[WWW.AMERICAN-USA.COM](http://WWW.AMERICAN-USA.COM)**

**Distributed By:**



Series 2500 Product Information

Product literature may become outdated. AMERICAN is not responsible for out-of-date information, errors or omissions.  
Please contact AMERICAN for the most current product information.