

ONE-PIECE LUXURY NEO-ANGLE SHOWER STALL MODEL 42NA

SHOWERS

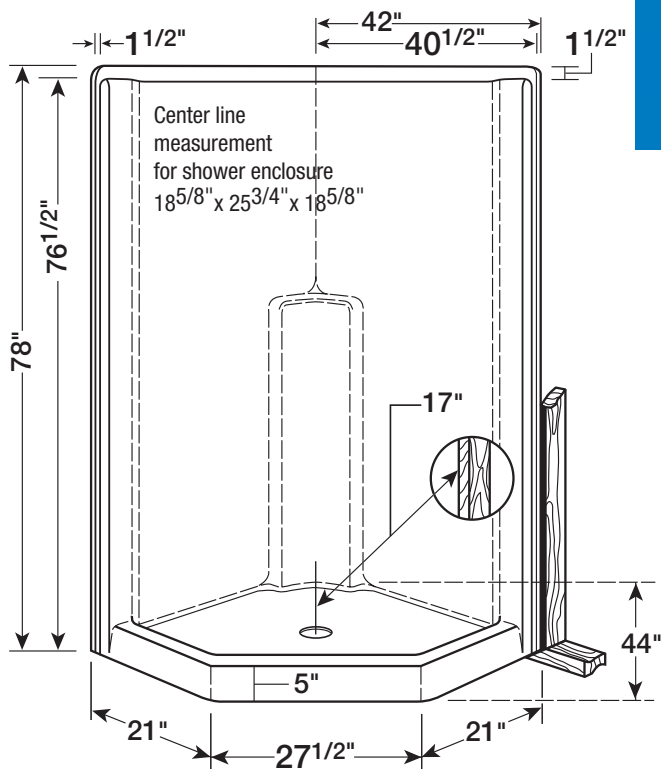
Quality and space-economy are designed into this beautiful and spacious corner shower. More versatility can be found in the large molded corner soap and shampoo ledge and the option to mount the showerhead on either side.

STANDARD FEATURES

1. Seamless extra-heavy-duty construction
2. Composite supporting plate
3. Never leaks or rusts; chip-resistant
4. Stain-resistant gel-coated finish that cleans like magic
5. Warm to the touch
6. Ready-to-plumb construction makes installation easy and quick
7. Anti-slip floor (meets ASTM -462)
8. Target weight = 122 ± 10 pounds



Model 42NA



OPTIONAL FEATURES

- Factory-installed and pre-plumbed pressure-balancing mixing valve
- Additional factory-installed through-bolted flangeless grab bar(s)
- Tempered glass enclosures
- Wide selection of contemporary colors
- Fold-down seat



Printed using 100% new wind energy.

Toll Free 1-877-792-3456

Fiber-Fab