

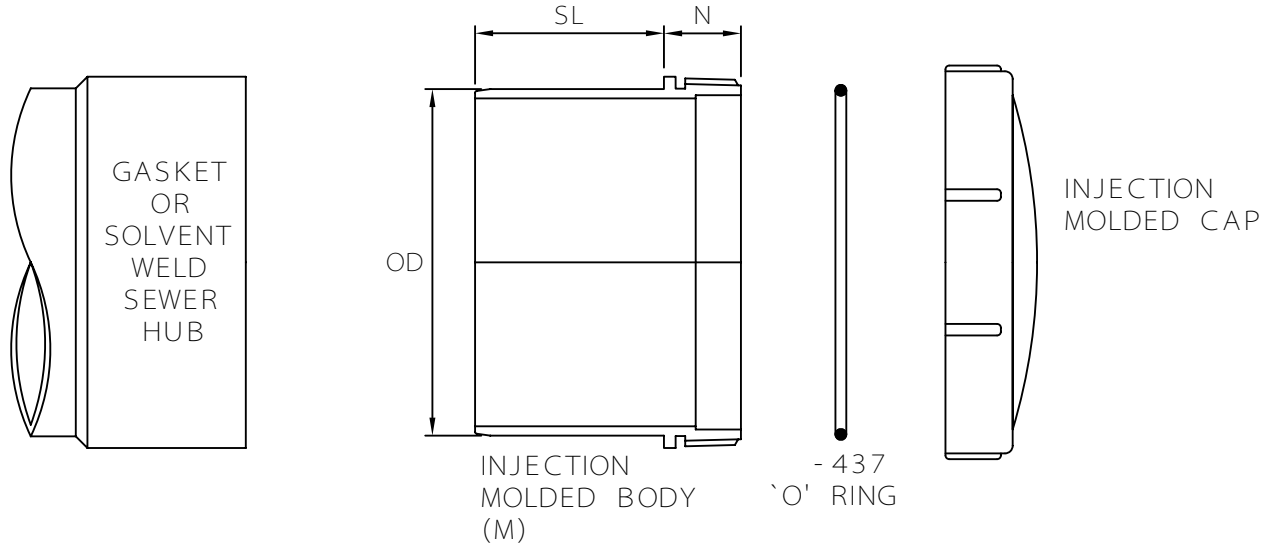


MULTI FITTINGS

# LAYING LENGTH

ISSUE DATE: OCT 30/17  
 SUPERCEDES: MAR 11/05

## CLEANOUT ADAPTER (SxCAP)



	SIZE	PART NUMBER	N REF	SL REF	OD
M	6	063750	1.750	3.000	6.275