

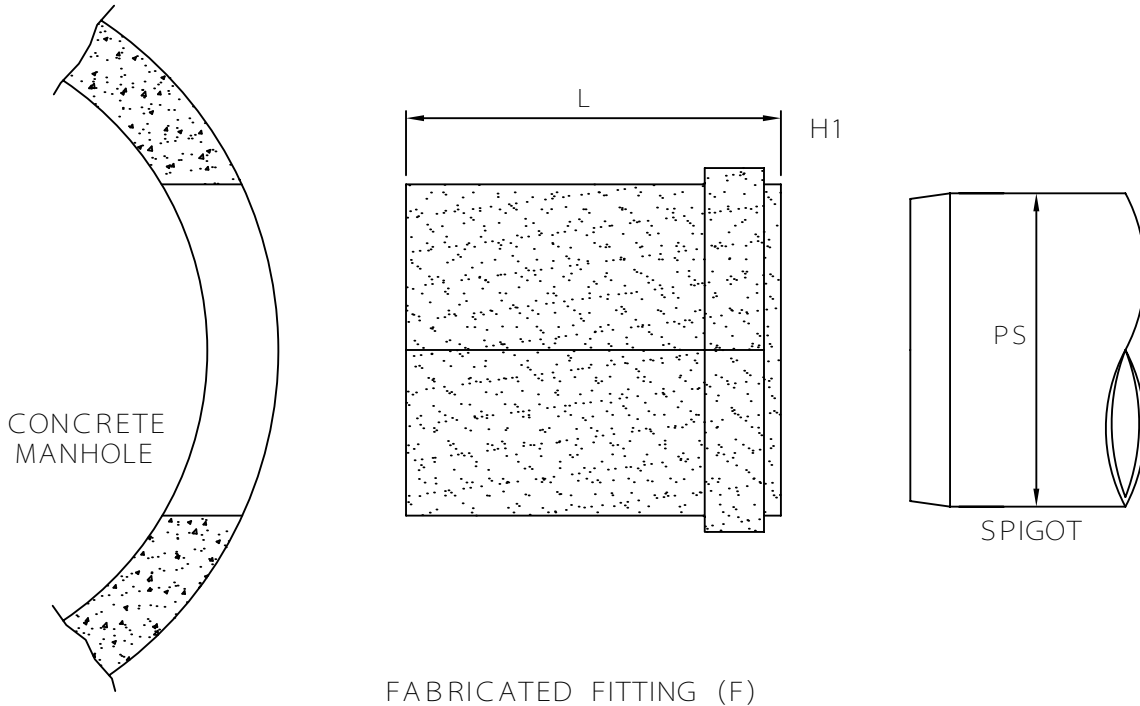


MULTI FITTINGS

LAYING LENGTH

ISSUE DATE: OCT 30/17
 SUPERCEDES: SEPT 14/07

MANHOLE ADAPTER WITHOUT STOP (SAND COATED)



FABRICATED FITTING (F)

	SIZE H1	PART NUMBER	L REF	PS SEWER
F	4	067456	-	4.215
F	6	067457	-	6.275
F	8	067458	-	8.400
F	10	067459	-	10.500
F	12	067455	-	12.500
F	15	067454	8.250	15.300
P	18	067453	-	18.701