

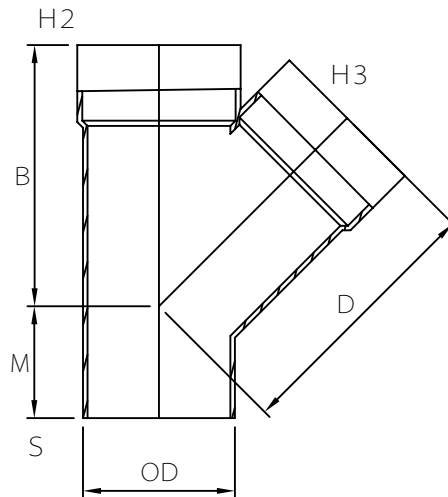


MULTI FITTINGS

# LAYING LENGTH

ISSUE DATE: NOV 15/17  
SUPERCEDES: MAY 10/05

## 45 ° WYE (HxHxH)



INJECTION MOLDED FITTING (M)

	SIZE SxH2xH3	PART NUMBER	B REF	D REF	M REF	OD
M	3x3x3	040332	5.500	5.500	0.875	3.250
M	4x4x4	040334	7.000	7.000	2.875	4.215
M	6x6x6	040338	10.375	10.875	4.500	6.275