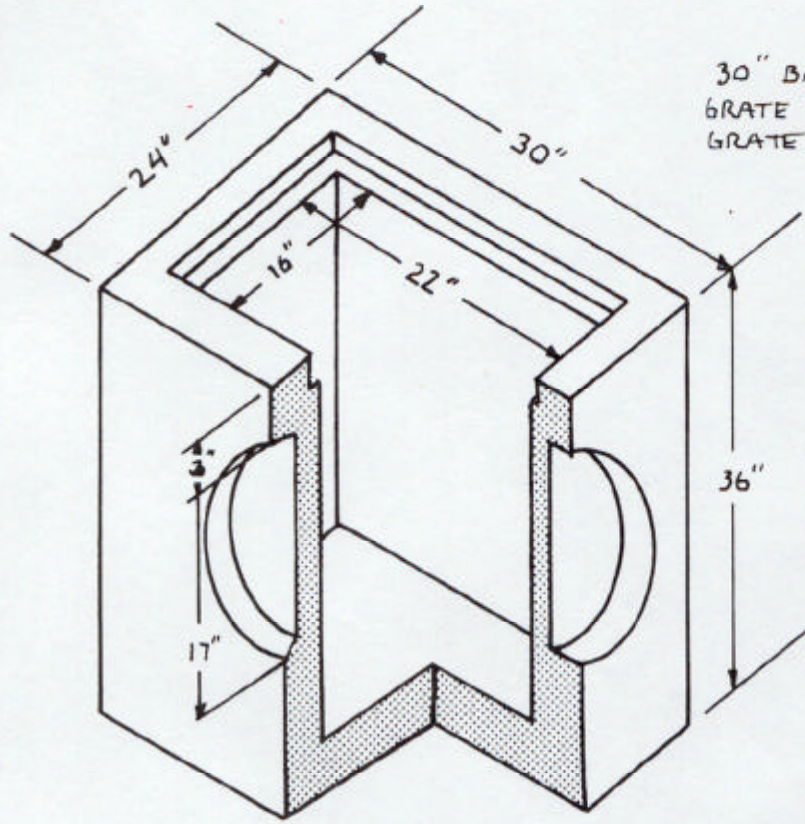


6" RISER 180#
12" RISER 360#

6" AND 12" ADJUSTMENT RISER GROOVED TO RECEIVE 18" x 24" CAST IRON GRATE. FRAME AND GRATE MAY BE USED.



30" BASE DESIGNED TO RECEIVE GRATE ONLY OR FRAME AND GRATE MAY BE USED.

BASIN 1100#