

CAUTION RISK OF FIRE. PLEASE KEEP SURFACE OF LAMP A MINIMUM OR 1.5 INCHES AWAY FROM COMBUSTIBLE MATERIALS. 12V LAMPS MUST NOT BE USED IN A 24V SYSTEM. INSTALL CABLE SO THAT CAUTION PRINTED ON CABLE IS VISIBLE AFTER INSTALLATION AND ATTACH THE 24V CAUTION LABELS (SUPPLIED WITH THE 24V TRANSFORMER) ON OR ALONG THE TRACK EVERY 4 FT.

RISK OF FIRE: DO NOT REMOVE REFLECTOR.

www.SeaGullLighting.com

090407

HC-662



INSTALLATION AND SAFETY INSTRUCTIONS

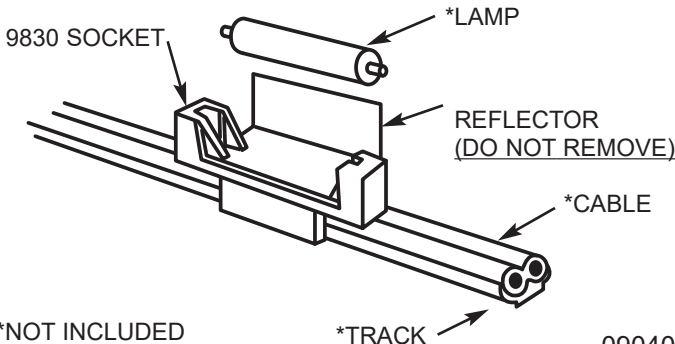
FOR YOUR SAFETY **HC-662**

WARNING: Be sure the electricity to the system you are working on is turned off; either the fuse removed or the circuit breaker set at off.
WARNING: RISK OF SHOCK, 24V SYSTEM NOT SUITABLE FOR OUTDOOR USE.

(USE ONLY WITH SEAGULL LIGHTING 105°C CABLE)

TO INSTALL 9830 SOCKET

- A. Determine socket location and spacing, minimum 4" center to center 10w lamps and minimum 2" center to center 5w lamps.
- B. Press socket straight down onto track and cable until socket snaps into place.
- C. Install bulb (not included), 10w maximum onto lamp contacts.
- D. Center of socket must not be closer than 1 1/2" to closed ends (wall surfaces, partitions).



090407

Warning: Use of other manufacturers components will void warranty listing and create a potential safety hazard.

PATENT PENDING

CAUTION RISK OF FIRE. PLEASE KEEP SURFACE OF LAMP A MINIMUM OR 1.5 INCHES AWAY FROM COMBUSTIBLE MATERIALS. 12V LAMPS MUST NOT BE USED IN A 24V SYSTEM. INSTALL CABLE SO THAT CAUTION PRINTED ON CABLE IS VISIBLE AFTER INSTALLATION AND ATTACH THE 24V CAUTION LABELS (SUPPLIED WITH THE 24V TRANSFORMER) ON OR ALONG THE TRACK EVERY 4 FT.

RISK OF FIRE: DO NOT REMOVE REFLECTOR.

www.SeaGullLighting.com

090407

HC-662



INSTALLATION AND SAFETY INSTRUCTIONS

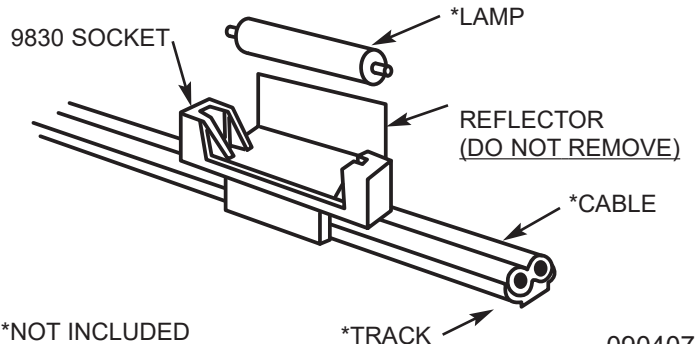
FOR YOUR SAFETY **HC-662**

WARNING: Be sure the electricity to the system you are working on is turned off; either the fuse removed or the circuit breaker set at off.
WARNING: RISK OF SHOCK, 24V SYSTEM NOT SUITABLE FOR OUTDOOR USE.

(USE ONLY WITH SEAGULL LIGHTING 105°C CABLE)

TO INSTALL 9830 SOCKET

- A. Determine socket location and spacing, minimum 4" center to center 10w lamps and minimum 2" center to center 5w lamps.
- B. Press socket straight down onto track and cable until socket snaps into place.
- C. Install bulb (not included), 10w maximum onto lamp contacts.
- D. Center of socket must not be closer than 1 1/2" to closed ends (wall surfaces, partitions).



090407

Warning: Use of other manufacturers components will void warranty listing and create a potential safety hazard.

PATENT PENDING