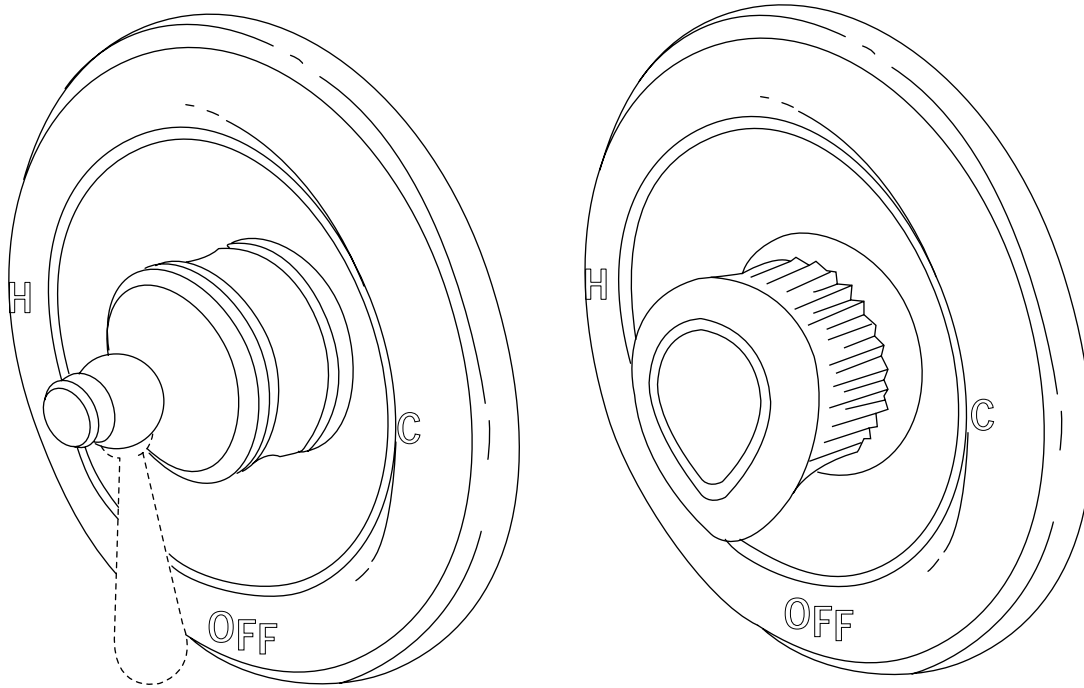
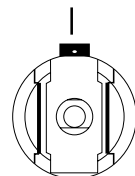


MOEN[®]**INSTALLATION INSTRUCTIONS***THESE INSTRUCTIONS MUST BE
LEFT WITH HOMEOWNER***POSI-TEMP
TUB AND SHOWER VALVES****CAUTION:**

Always turn water off before disassembling the valve. Open valve handle to alleviate water pressure to insure that complete water shut-off has been accomplished.

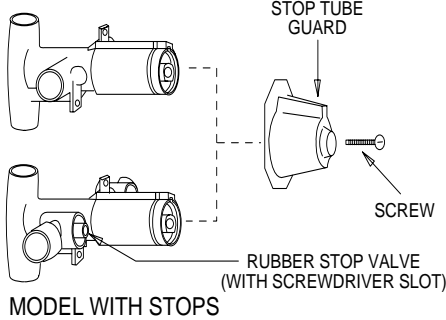
Before turning water on during either rough-in or trim-out, make sure that cartridge retainer clip is in place. The cartridge and retainer clip were properly installed and tested before leaving the factory. Although it is unlikely, it is nevertheless possible that through the handling of the valve by any number of persons the retainer clip may not be properly installed. This should be carefully checked at time of rough-in and trim-out. If the retainer clip is not properly installed, water pressure could force the cartridge out of the casting. Personal injury or water damage to the premises could result.

RETAINER
CLIP

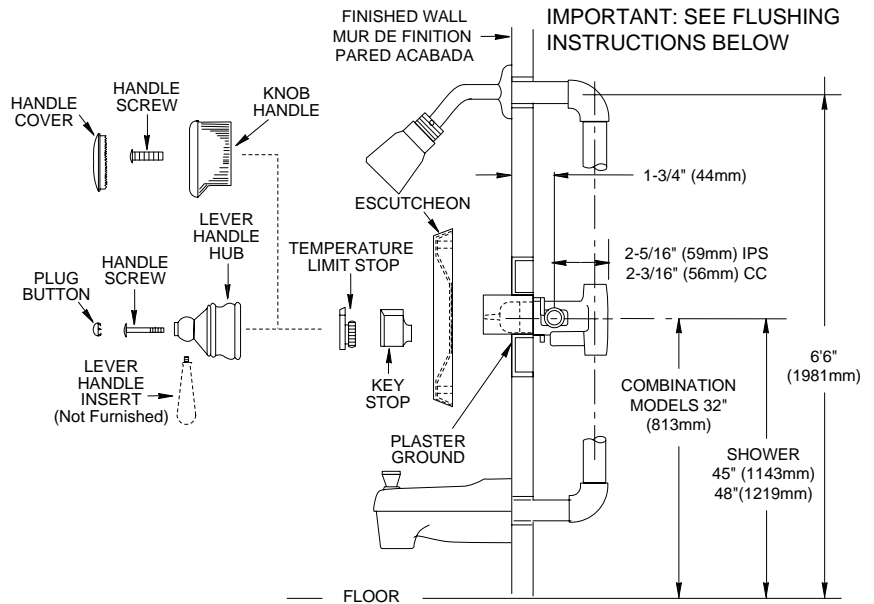


Rough-In Measurements

MODEL WITHOUT STOPS

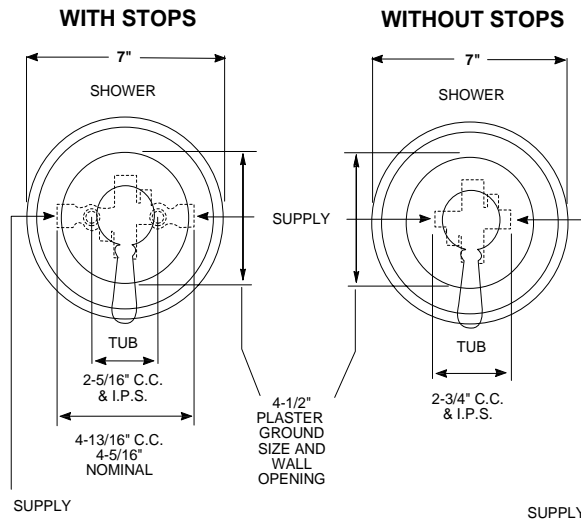


MODEL WITH STOPS



NOTE: The depth measurement is critical. Use the front face of the plaster ground as a reference point for the finished wall position, including tile (1-3/4" [44mm]). The centerline of the supply piping should be a maximum of 2" (51mm) and a minimum of 1" (25mm) behind the finished wall surface. Use thick wall handle extension kit 96945 for wall thickness 13/16" (21mm) to 1-13/16" (46mm). Use handle kit 96955 for wall thickness 1-13/16" (46mm) to 2-13/16" (71mm).

Note the word "TOP" on the casting. Install casting with the TOP facing UP. If the valve is to be used for a shower only, plug the bottom outlet. If the valve is to be used for both a shower and a tub, connect the top outlet to the shower and the bottom outlet to the tub. Secure all pipes and the shower and tub drop ells. Use Teflon tape on all threads. Check system for leaks before closing wall.



CAUTION

This valve is equipped with the Moen long-life POSI-TEMP cartridge, designed for smooth, trouble-free operation. When soldering do not heat valve any higher than necessary to flow the solder. Overheating may damage the cartridge or rubber stop valves. Following this direction will allow you to solder without removing the cartridge or rubber stop valves.

WARNING: The cartridge and rubber stop valves **MUST** be removed before either brazing or resistance (electric) soldering.

Flushing

DO NOT OPERATE THE VALVE until you have followed these instructions: MAKE SURE ALL WATER SUPPLIES ARE OFF

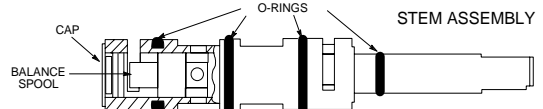
IMPORTANT: Before closing all wall openings, pressure test valve and complete system using flushing instructions

The valve body and supplies should be flushed before placing them into service to remove pipe chips, scale or other foreign material left in pipes after installation. These might clog or damage the valve and cause a leak. **To flush valve, make sure all water supplies are OFF**, then remove the cartridge assembly (see "Disassembly" instructions). Slowly turn on both hot and cold water supplies and thoroughly flush out the body and lines. Re-install cartridge assembly, make sure cartridge retainer clip is in place.

If the balancing spool becomes stuck, it will be apparent at the trim-out test in that the valve will deliver only a small trickle of water, or it will deliver only hot or cold water. If this occurs, proceed as follows:

Make sure that both the hot and cold water service lines are "ON". Also make sure that both rubber stop valves are open (stop models). The valve **WILL NOT OPERATE** unless both supplies are "ON".

If the valve still does not function properly, turn off **BOTH** the hot and cold supplies and remove the cartridge assembly. A cartridge twisting tool is required for this. The inner spool in the cartridge assembly should shake back and forth freely. If this does not happen, remove the stem assembly from the cartridge sleeve, remove the cap from the stem assembly and remove the balance spool. Sometimes the stem assembly may have to be jarred to free the spool. Carefully clean any foreign material from the balance spool and stem assembly and reassemble. **CAUTION: DO NOT DAMAGE O-RINGS.** The spool should move back and forth after the stem assembly is cleaned. If spool still does not free up, replace the entire cartridge assembly. Make sure O-rings are free of foreign material and are lubricated. Re-assemble stem assembly into cartridge sleeve. Re-assemble cartridge into valve. (See installation instructions for proper assembly of cartridge.) Turn both water supplies on. The valve should function properly.



Trim

MAKE SURE ALL WATER SUPPLIES ARE OFF TO INSTALL TRIM AFTER ROUGH-IN

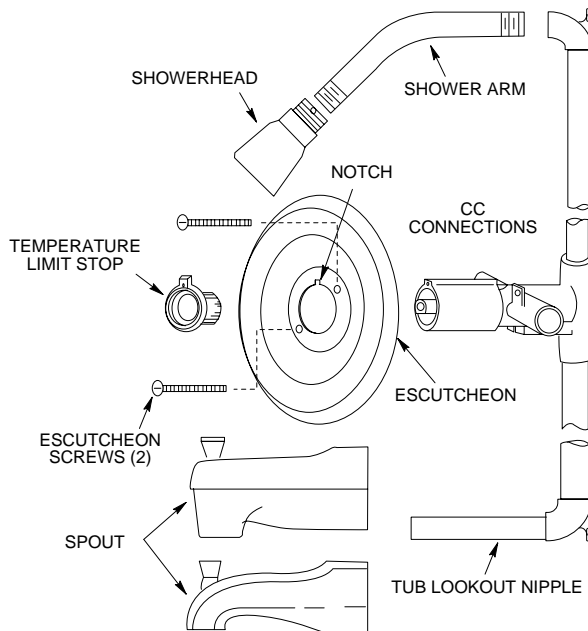
Put Teflon tape on both ends of shower arm threads. Screw shower arm into ell inside wall. Install flange and showerhead.

Screw tub spout into the lookout nipple. Use Teflon tape for I.P.S. For Slip Fit spouts see below.

Remove screw holding plaster ground and stop tube guard in place and discard. Temporarily install handle. Turn on water and check system for leaks. If there are no leaks, turn OFF water and remove handle and limit stop.

Install escutcheon plate with two screws provided. Mount with the notch UP.

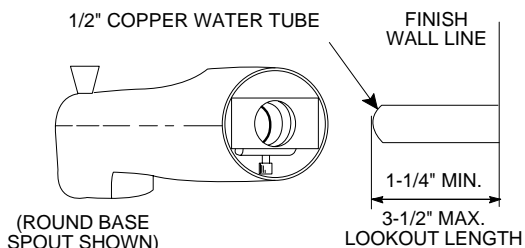
Install limit stop. The notched flat on the cartridge stem must point DOWN when mounting handle. Mount handle on the stem and replace handle screw tightly. Snap handle cover or plug button in place on the handle.



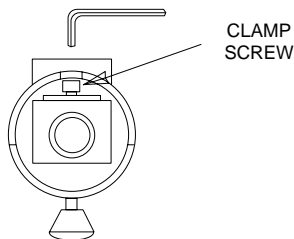
Slip-Fit Spouts

CAUTION: This spout is A.B.S. plastic. Do not use pipe dope on this assembly.

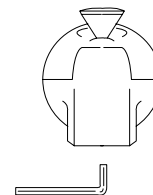
These spouts are specifically designed to permit the use of copper water tube. Lookout must be free from deep scratches, dents, kinks or bends. The cut-off end must be free from burrs inside and out. The edge must not be rolled inward from a dull tubing cutter.



Press and twist the spout onto the lookout upside down. Tighten the clamp screw with a 5/32" hex wrench until it just starts to bind.



Turn spout upright into position against the wall and finish tightening the clamp screw by hand. The use of pliers or another wrench on the hex wrench is not necessary. Do not overtighten.

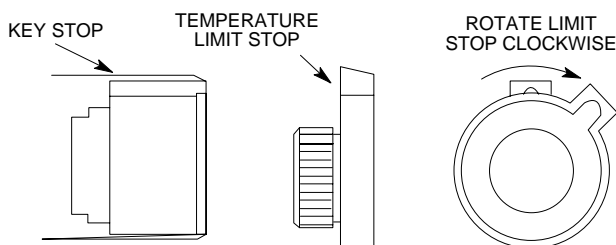


To Adjust Temperature Limit Stops

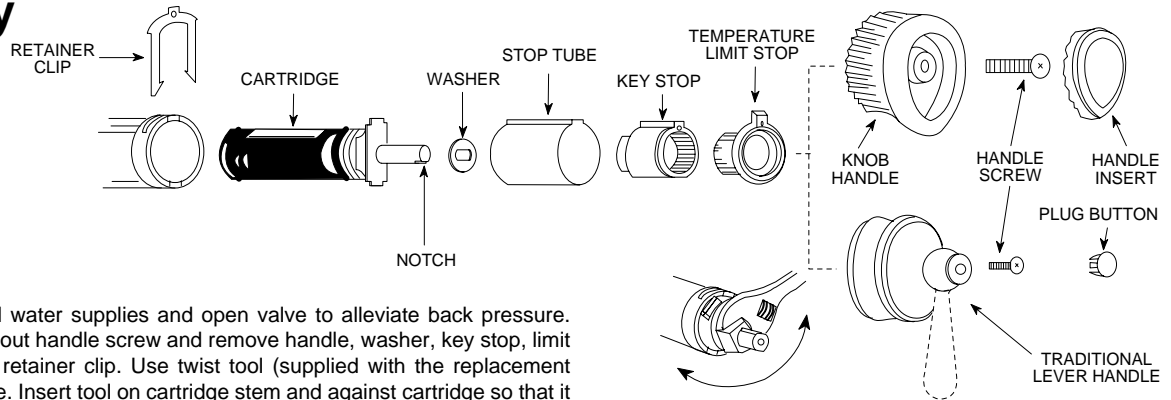
CAUTION: Due to seasonal temperature change of the cold water supply, the temperature limit must be readjusted accordingly to maintain the desired maximum discharge temperature.

BE SURE TO PURGE COLD WATER FROM HOT WATER SUPPLY LINE, THEN FOLLOW INSTRUCTIONS BELOW:

1. Remove handle cover or plug button, handle screw and handle.
2. Remove limit stop from key stop and rotate CLOCKWISE to desired hot water position and replace.
3. Replace handle, then rotate to the maximum hot position. Check hot water temperature in the FULL HOT position. Re-adjust limit stop if necessary.
4. Replace handle, handle screw and handle cover or plug button.



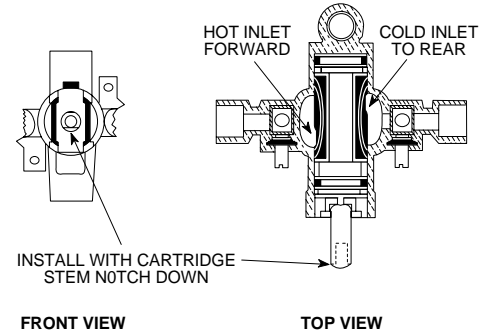
Disassembly



Turn OFF both hot and cold water supplies and open valve to alleviate back pressure. Remove handle cover. Take out handle screw and remove handle, washer, key stop, limit stop and stop tube. Lift out retainer clip. Use twist tool (supplied with the replacement cartridge) to remove cartridge. Insert tool on cartridge stem and against cartridge so that it straddles the ears. Using a wrench on the tool, loosen the cartridge by rotating back and forth between the 11 and 1 O'clock position keeping the cartridge ears in the valve recess. Grasp cartridge stem with pliers and pull cartridge straight out of valve.

Reassembly

CAUTION: Re-insert cartridge by pushing against cartridge shell, making sure the notch on the cartridge stem is down, push until cartridge ears are seated or nearly so in bottom of valve body recess (see illustration at right). Replace the retainer clip so that the legs straddle the cartridge ears and slide down into the bottom slot in the body. This prevents the cartridge from rotating and locks it in the body. Re-install stop tube and parts. Limit stop must be installed with offset at TOP (12 o'clock) position to obtain maximum hot water. (See page 3 for adjustments). Stem notch must point DOWN when mounting the handle.



CAUTION: CARTRIDGE MUST BE INSTALLED WITH HOT & COLD INLETS AS SHOWN

TO REMOVE STOP VALVE

Always turn water supply OFF before disassembly. Open faucet to alleviate sustained pressure.

Removal of stop valve:

1. Remove knob and escutcheon (pry off handle cap and remove handle screw).
2. Using snap ring pliers, remove retaining ring from valve body.
3. Grip stop valve stem with pliers and rotate slightly to remove from valve body.

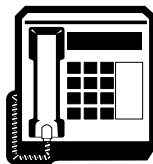
Re-Installation of new stop valve:

1. Check to be sure that stop valve stem is fully seated in plug.
2. Insert stop valve until fully seated beyond retaining ring groove in valve body.
3. Using snap ring pliers, place retaining ring in valve body, making sure that ring is fully seated.
4. Check orientation of stop valve for water flow. (Stop is in the off position when screwdriver slot is vertical).
5. Turn water supply on.

Not for use with Moentrol valves.

To Eliminate Cross-Piping On Back-To-Back Installations, or To Correct Reversed Rough-In Where Hot and Cold Positions Are Reversed:

Remove cartridge assembly, rotate 180 degrees and re-install (see "Reassembly" above). **CAUTION: MAKE SURE NOTCH ON STEM IS POINTING UP.** Re-install retainer clip, handle washer, stop tube, key stop and handle parts.



**HELPLINE: Call our toll free Helpline number,
(800) BUY-MOEN
(289-6636)**

for answers to any product, installation, replacement parts, or warranty questions.

