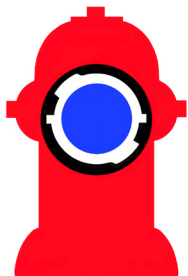
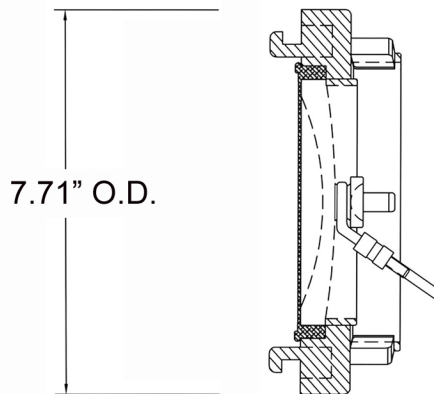


# HBC-50

- 5" Storz forging (AL)
- 5" cast center cap (AL)
- 5" Storz suction seal (rubber)
- Standard with chain



Harrington, Inc.  
2630 W. 21st St.  
Erie, PA 16506

Ph. 800-553-0078  
fax. 814-838-7339  
daveh@harrinc.com

DWG No.: **HBC-50**

Description: 5" Storz Blind Cap with Chain

Date: 07/15/15

DB: DTH

Rev.: 00

Scale: NTS

Sheet 1 of 1