

# APPLIANCES CATALOG

Retail Sales Spring 2012



imagination at work

SIMPLIFYING & BEAUTIFYING EVERY DAY





Now is time to enjoy what you've always wished was possible in the kitchen. It's time to celebrate your modern flair for style. Enjoy natural flow from one convenient necessity to another. Slash your utility bills. And make your daily "to do" lists go from "still to do" to "done". With the latest and greatest GE appliances, it's possible. It's time.

Scan this code to watch a video that brings the 2012 kitchen to life!



## FEATURED PRODUCTS





## APPLIANCES

### KITCHEN:

**GE Profile™** 30" single convection wall oven PT925SNSS

**GE Profile** 36" gas cooktop PGP986SETSS

**GE Profile** 28.5 cu. ft. french-door refrigerator PFE29PSDSS

**GE Profile** dishwasher PDWT480VSS

**GE Profile Advantium®** wall oven PSB1201NSS

**GE Profile** wall-mount hood PV976NSS

### LAUNDRY ROOM:

**GE®** 4.0 DOE\* cu. ft. frontload washer GFWS1500DWW

**GE** 7.5 cu. ft frontload dryer GFDS150ED/GDWW

## CABINETRY

### Bentwood Luxury Kitchens

Lancaster, TX 75134

972-227-6855

bentwoodkitchens.com

### KITCHEN & LAUNDRY ROOM:

Style: Lancaster

Finish: Cotton

## PLUMBING

### KOHLER Co.

Kohler, WI 53044

800-4-KOHLER

kohler.com

### KITCHEN:

Sink: Undertone® medium D-bowl kitchen sink - K-3186

Faucet: Bellera pull-down kitchen faucet - K-560-VS

### LAUNDRY ROOM:

Sink: Undertone®/Lyric™ undercounter/self-rimming kitchen sink- K-3341

Faucet: Parq® deck-mount bridge kitchen faucet - K-6130-3-VS

## BACKSPLASH

### KITCHEN:

#### Dal-tile

Dallas, TX 75217

214-398-1411

daltile.com

Product: Stone Á La Mod, 1-1/2"×3/4" Oval, Polished

Color: Contempo White, M313

## LIGHTING:

### KITCHEN, DECORATIVE :

#### Circa Lighting

Savannah, Georgia 31401

circalighting.com

877-762-2323

Product: Large all aglow chandelier

### KITCHEN, TASK:

#### One Source Lighting & Design, LLC

Vinegrove, KY 40175

270-877-2221

2lightu.com

Product: Eureka directional trims and housings, 1043B-H-SC

## EXTERIOR LIGHTING:

### Bevolo Gas & Electric Lights

New Orleans, LA 70130

504-522-9485

bevolo.com

Product: Williamsburg on Original Bracket in Natural Gas

## WINDOWS & DOORS:

### Pella Windows & Doors

Louisville, KY 40299

800-772-1601

pella.com

### KITCHEN:

Product: Fixed Frame Direct Set, Architect Series® Casement, Transom, French Doors

### LAUNDRY ROOM:

Product: Architect Series® Double Hung, Awning, French Doors



# MAKE EVERYDAY BETTER

GE® appliances answer real-life needs. Define trends. Simplify routines. And upgrade the look and feel of the living space. Through ingenuity and innovation, next generation features are solving real-life needs. With a forward-thinking tradition that spans over 100 years, today's GE appliances sync perfectly with the modern lifestyle.

## GE CAFÉ™ SERIES

GE Café gives both aspiring and seasoned cooks reasons to rejoice. Every appliance is made to be the perfect chef's complement. Equipped with details purposefully designed to help meals become masterpieces. With inspired aesthetics and impressive power that mimics great restaurants, GE Café is dream come true for people who love to live in the kitchen.





## GE PROFILE™ SERIES

Striking. Distinguished. Bold. GE Profile represents the cutting-edge of modern design. Each offering is crafted to make a sophisticated statement. Attract the eye. Perfectly complement modern finishes, materials and colors. By blending artistic details with brilliant features, GE Profile is helping infuse style and ease into daily life.



LET YOUR KITCHEN HELP YOU SAVE BY  
**REDUCING ENERGY COSTS**  
UP TO 20%\*

The ecomagination kitchen suite of appliances is the first to include cooking products that improve overall home efficiency.







**ecomagination**  
a GE commitment

## Here's how the ecomagination kitchen suite of appliances helps you save:

**Double Oven Electric Ranges** save time and up to 25% energy use by preparing meals in the upper oven, which pre-heats faster and more efficiently than the lower oven.

**Refrigerators** Starting in 2012, more than 85% of GE refrigerators will use cyclopentane insulation. This high-performance foam material will replace the widely-used hydrofluorocarbon fillers that have been linked to global warming.

**Over the Range Microwaves** reduce annual microwave energy use by over 20%\*\* by activating the Power Saver feature between uses.

**ENERGY STAR® qualified dishwashers** save an average of 17%\*\*\* in overall energy and water use.

**ENERGY STAR qualified refrigerators** save an average of 20%† in overall energy use.

**GeoSpring™ hybrid water heaters** deliver \$325 in annual savings††

Appliances that are part of the ecomagination kitchen suite are designated throughout this catalog by:  
**ecomagination**



GE Appliances is honored to be recognized with the 2012 ENERGY STAR Sustained Excellence Award, making this the 7th consecutive year, for our commitment to creating energy-efficient, high-performance household appliances.

GE Appliances is the first appliance manufacturer to partner with the U.S. Environmental Protection Agency in their Responsible Appliance Disposal (RAD) Program.

Scan the code to see the RAD program in action.



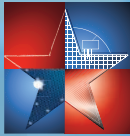
\* As compared to standard products without these energy efficient features.

\*\* Based on average usage, savings will be approximately \$3/year.

\*\*\* As compared to non-qualified dishwashers.

† As compared to non-qualified refrigerators.

†† Based on DOE test procedure and comparison of a 50-gallon standard electric tank water heater using 4879 kWh per year vs. the GeoSpring hybrid water heater using 1830 kWh per year.



AMERICA  
AT WORK

## A COMMITMENT TO AMERICAN WORKMANSHIP

GE is honored to employ more than 133,000 American workers, banding together to find solutions to tough problems and improve people's lives. Many of the appliances found in this catalog have been proudly assembled in one of the following factories:

### LOUISVILLE, KENTUCKY

Washers  
Dishwashers  
GeoSpring™ Hybrid Water Heaters (2012)  
Bottom-Freezer Refrigerators (2012)

### BLOOMINGTON, INDIANA

Side-by-Side Refrigerators

### DECATUR, ALABAMA

Top-Freezer Refrigerators

### LAFAYETTE, GEORGIA

Ranges  
Cooktops  
Wall Ovens

At GE, we believe the American people are the key to our success. Which is why we're building 16 factories across the country, creating more than 12,000 domestic jobs in 43 states.

**GE Works.**

David  
Team Leader



Scan this code with your QR reader to watch our video on reinvesting in America.

# TABLE OF CONTENTS

	Page	Specifications & Installation
<b>REFRIGERATORS</b>		
Bottom-freezer refrigerators	12-25	200-205
Side-by-side refrigerators	26-39	199, 206-213
Top-freezer refrigerators	40-52	214-217
Beverage center, wine centers and compact refrigerators	53-55	218
Freezers	56-57	219
<b>BUILT-IN COOKING PRODUCTS</b>		
Wall ovens	58-69	220-227
Warming drawers	70	228
Cooktops	71-85	229-234
Slide-in/Drop-in ranges	86-94	235-241
Ventilation options	95-99	252-256
<b>FREE-STANDING COOKING PRODUCTS</b>		
Electric ranges	100-111	242-245, 247
Dual-fuel	112-113	238, 246-247
Gas ranges	114-123	246, 248-251
<b>ADVANTIUM® OVENS</b>		
Wall ovens	124-126	257
Above-the-cooktop ovens	124-125, 127	258
<b>MICROWAVE OVENS</b>		
Over-the-range	128-135	259-261
Countertop	136-143	262-265
Countertop microwave optional oven trim kits		263
<b>DISHWASHERS</b>		
Built-in dishwashers	144-156	266-270
Convertible dishwashers	157	270
18" built-in and undersink dishwashers	158-159	270-271
Dishwasher accessories		272
Compactors and disposers	159-161	273
<b>CLOTHES CARE</b>		
Frontloading washers and dryers	162-169	274-277
Washers and dryers	170-178	278-280
Dryer exhausting and installation information		281
Spacemaker® washers and dryers	179-180	282-283
Commercial washers and dryers	181	283
<b>WATER HEATERS</b>		
GeoSpring™ hybrid water heater	182-185	284
<b>AIR CONDITIONING</b>		
Electronic	186-190	285
Mechanical	190	285
Heat/Cool series	191	286
Built-in	192-193	287-288
Dehumidifiers	194	286
<b>Warranty information</b>		
<b>ADA requirements</b>		
<b>Parts list</b>		
<b>Nomenclatures</b>		



**GE appliances help you conserve energy and save money.** We're honored to be named 2004, 2005, 2006, 2007, 2008, 2009, 2010, 2011 and 2012 ENERGY STAR® Partner of the Year for our commitment to creating energy-efficient, high-performance household appliances and lighting products. Our continued leadership in helping change our environment for the better has also earned us a 2012 ENERGY STAR Sustained Excellence Award.



**ADA\*** compliant Compliant with the American Disabilities Act

Appliances that are assembled in America are designated by this icon.

Appliances that are part of the ecomagination kitchen suite are designated by this wordmark.

**ecomagination**



New in 2011, GE Appliances is the FIRST appliance manufacturer to partner with the U.S. Environmental Protection Agency in their Responsible Appliance Disposal (RAD) Program. As a RAD partner, GE is taking a leadership position to develop a market based solution to reduce emissions of greenhouse gases and landfill waste, protecting our air and water.

GE has a policy of continuous improvement of its products and reserves the right to change materials and specifications without notice.

# FRENCH-DOOR BOTTOM FREEZERS

A refrigerator with the most advanced water and ice means raising a glass to your healthy family.



## Explore French-door refrigerators



### Seamless stainless steel dispenser with pullout tray

Gives you a streamlined look while easily filling tall items.



### Hands-free Autofill

Lets you walk away while the dispenser automatically fills any container with filtered water.



### TwinChill™ evaporators

Separate climates in the fresh food and freezer sections help maintain temperature and humidity levels to keep foods fresh.



### Advanced filtration system

GE's exclusive filtration system removes harmful pharmaceuticals from water and ice.



### In-the-door filter

Located in the door for more available space in the fresh food section and easy replacement.



### Drop-down tray

Allows for extra door storage when you need it and tucks away when you don't.



### Showcase LED lighting

Positioned throughout the interior and under fresh food doors to spotlight foods inside the refrigerator and in the freezer.



### Space-saving icemaker

Located on the door with integrated bins to create more usable storage space.



### TurboCool™ and TurboFreeze™ settings

An extra boost of cold air restores interior to set temperature for optimum food freshness.



### Full-width electronic temperature-controlled drawer

5 accurate settings deliver the optimal temperatures for keeping foods fresh.



### QuickSpace™ shelf

Functions as a normal full-sized shelf when needed and easily slides down for instant storage flexibility.



### Adjustable glass shelves with chrome accents

Provide a touch of style and a variety of shelf configurations for simple food storage.

## French-door counter-depth refrigerators



### CYE24TSD

#### GE Café™ counter-depth 23.5 cu. ft. French-door refrigerator

- GE Café stainless steel—complemented by robust handles to add a professional look to your kitchen
- Stainless steel Café dispenser with pullout tray—offers professional style and an extra-tall dispenser to easily fill large containers
- Hot water dispenser—lets you choose your own temperature or from one of the 4 pre-programmed settings to simplify hot food and drink preparation
- TwinChill™ evaporators—separate climates in the fresh food and freezer sections help maintain temperature and humidity levels to keep foods fresh
- Advanced filtration system—GE's exclusive filtration system removes harmful pharmaceuticals from water and ice
- Drop-down tray—allows for extra door storage when you need it and tucks away when you don't
- Showcase LED lighting—positioned throughout the fresh-food interior and under fresh food door to spotlight foods inside the refrigerator and in the freezer
- Space-saving icemaker—located on the door with integrated bins to create more usable storage space
- Full-width electronic temperature-controlled drawer with colored LED lights—5 accurate settings deliver the optimal temperature for your favorite foods, while colored lights indicate the chosen setting

 **CYE24TSDSS**

Available August 2012



**ecomagination**



### PYE24PSD

#### GE Profile™ counter-depth 23.5 cu. ft. French-door refrigerator

- Stainless steel doors with hidden hinges—offer a sleek finish with the clean look of concealed hinges
- Seamless stainless steel dispenser with pullout tray—gives you a streamlined look while easily filling tall items
- Hands-free Autofill—lets you walk away while the dispenser automatically fills any container with filtered water
- TwinChill evaporators—separate climates in the fresh food and freezer sections help maintain temperature and humidity levels to keep foods fresh
- Advanced filtration system—GE's exclusive filtration system removes harmful pharmaceuticals from water and ice
- In-the-door filter—located in the door for more available space in the fresh food section and easy replacement
- Drop-down tray—allows for extra door storage when you need it and tucks away when you don't
- Showcase LED lighting—positioned throughout the fresh food interior and under fresh food door to spotlight foods inside the refrigerator and in the freezer
- Space-saving icemaker—located on the door with integrated bins to create more usable storage space

 **PYE24PSDSS**

Available August 2012



**ecomagination**

 Stainless steel



**PYE24KSD**

**GE Profile counter-depth 23.5 cu. ft. French-door refrigerator**

- Stainless steel doors with hidden hinges—offer a sleek finish with the clean look of concealed hinges
- Seamless stainless steel dispenser with pullout tray—gives you a streamlined look while easily filling tall items
- TwinChill evaporators—separate climates in the fresh food and freezer sections help maintain temperature and humidity levels to keep foods fresh
- Advanced filtration system—GE's exclusive filtration system removes harmful pharmaceuticals from water and ice
- In-the-door filter—located in the door for more available space in the fresh food section and easy replacement
- Drop-down tray—allows for extra door storage when you need it and tucks away when you don't
- Showcase LED lighting—positioned throughout the fresh food interior and under fresh food door to spotlight foods inside the refrigerator and in the freezer
- Space-saving icemaker—located on the door with integrated bins creating more usable storage space
- TurboCool™ and TurboFreeze™ settings—an extra boost of cold air restores interior to set temperature for optimum food freshness

- PYE24KSDSS**
- PYE24KGDBB**  
high-gloss doors



ecomagination

Available August 2012



**PWE23KSD**

**GE Profile counter-depth 23.2 cu. ft. French-door refrigerator**

- Stainless steel doors with hidden hinges—offer a sleek finish with the clean look of concealed hinges
- Internal controls with actual-temperature display—eliminate the guesswork of temperature setting with actual degrees displayed digitally
- TwinChill evaporators—separate climates in the fresh food and freezer sections help maintain temperature and humidity levels to keep foods fresh
- Advanced filtration system—GE's exclusive filtration system removes harmful pharmaceuticals from water and ice
- Drop-down tray—allows for extra door storage when you need it and tucks away when you don't
- Showcase LED lighting—positioned throughout the fresh food interior and under fresh food door to spotlight foods inside the refrigerator and in the freezer
- Factory-installed icemaker—refrigerator comes ready to automatically create ice
- TurboCool and TurboFreeze settings—an extra boost of cold air restores interior to set temperature for optimum food freshness

- PWE23KSDSS**
- PWE23KGDWW**  
high-gloss doors
- PWE23KGDBB**  
high-gloss doors



ecomagination

Available August 2012

Stainless steel   White   Black

## French-door counter-depth refrigerators



### CFCP1NIZ

#### GE Café™ counter-depth 20.7 cu. ft. French-door refrigerator

- GE Café stainless steel—complemented by robust handles to add a professional look to your kitchen
- ClimateKeeper™ system—enjoy even cooling throughout the fresh food section
- Upfront temperature controls with actual-temperature display—easy-to-read controls display accurate temperatures
- Internal water dispenser with GE water filtration—delivers filtered water with one touch
- Factory-installed icemaker with water filtration system—refrigerator comes ready to automatically create filtered ice
- BrightSpace™ interior with GE Reveal® lighting—it's easy to find your favorite foods under bright, clear interior lighting
- Freshness Center™—2 adjustable-humidity drawers and 1 full-width adjustable-temperature drawer maintain fresh tastes
- Multi-level Slide 'n Store™ system—wire baskets combined with a plastic bin offer convenient storage and cleanability



CFCP1NIZSS



### PGCS1RKZ

#### GE Profile™ counter-depth 20.7 cu. ft. refrigerator with armoire styling

- Stainless steel doors with top and bottom bevels—add a sleek, designer look to your kitchen
- 4-door armoire-style double-drawer freezer system—2 freezer drawers make it simple to find exactly what you're looking for
- In-the-door icemaker—frees up valuable space in the fresh food section for more storage of your favorite foods
- Tall, external ice and water dispenser with temperature display—makes and stores ice on the door, saving space
- Ramp-up LED lighting—lighting increases as the doors are opened until full illumination
- ClimateKeeper system—enjoy even cooling throughout the fresh food section
- Freshness Center—2 adjustable-humidity drawers and one full-width adjustable-temperature drawer maintain fresh tastes
- Drop-down shelf—hide-away shelf provides additional space for a variety of items and tucks away when you don't need it
- Multi-level Slide 'n Store system—wire baskets combined with a plastic bin offering convenient storage and cleanability



PGCS1RKZSS



### PGCS1NFZ (not shown)

Similar to the PGCS1RKZ with 20.5 cu. ft. capacity, non-dispenser with factory-installed icemaker and GE Reveal lighting.



PGCS1NFZSS

Stainless steel





**PFIC1NFZ**

**GE Profile counter-depth 20.7 cu. ft. panel-required French-door refrigerator**

- ClimateKeeper system—enjoy even cooling throughout the fresh food section
- Factory-installed icemaker with water filtration system—refrigerator comes ready to automatically create filtered ice
- Upfront temperature controls with actual-temperature display—easy-to-read controls display accurate temperatures
- Freshness Center—2 adjustable-humidity drawers and 1 full-width adjustable-temperature drawer maintain fresh tastes
- BrightSpace interior with GE Reveal lighting—it's easy to find your favorite foods under bright, clear interior lighting
- Multi-level Slide 'n Store system—wire baskets combined with a plastic bin offer convenient storage and cleanability
- In-the-door condiment bin and beverage rack—provide convenient storage for cans and condiments without taking up shelf space
- QuickSpace™ shelf—quickly slides out of the way to make room for tall items
- Secure-close door system—securely pulls the door shut to maintain food freshness and peace of mind

- PFIC1NFZWV
- PFIC1NFZBV

**Full-door counter-depth refrigerator**



**PDCS1NCZ**

**GE Profile counter-depth 20.9 cu. ft. full-door refrigerator**

- Stainless steel doors with top and bottom bevels—add a sleek, designer look to your kitchen
- ClimateKeeper system—enjoy even cooling throughout the fresh food section
- Upfront temperature controls with actual-temperature display—easy-to-read controls display accurate temperatures
- BrightSpace interior with GE Reveal lighting—it's easy to find your favorite foods under bright, clear interior lighting
- Factory-installed icemaker—refrigerator comes ready to automatically create ice
- Freshness Center—2 adjustable-humidity drawers and 1 full-width adjustable-temperature drawer maintain fresh tastes
- Multi-level Slide 'n Store system—wire baskets combined with a plastic bin offer convenient storage and cleanability
- In-the-door condiment bin and beverage rack—provide convenient storage for cans and condiments without taking up shelf space
- QuickSpace shelf—quickly slides out of the way to make room for tall items

- PDCS1NCZRSS
- PDCS1NCZLSS



ecomagination

- Stainless steel
- White
- Black

## French-door refrigerators



### CFE29TSD

#### GE Café™ 28.6 cu. ft. French-door refrigerator

- GE Café stainless steel—complemented by robust handles to add a professional look to your kitchen
- Stainless steel Café dispenser with pullout tray—offers professional style and an extra-tall dispenser to easily fill large containers
- Hot water dispenser—lets you choose your own temperature or from one of the 4 pre-programmed settings to simplify hot food and drink preparation
- TwinChill™ evaporators—separate climates in the fresh food and freezer sections help maintain temperature and humidity levels to keep foods fresh
- Advanced filtration system—GE's exclusive filtration system removes harmful pharmaceuticals from water and ice
- Drop-down tray—allows for extra door storage when you need it and tucks away when you don't
- Showcase LED lighting—positioned throughout the fresh food interior and under fresh food door to spotlight foods inside the refrigerator and in the freezer
- Space-saving icemaker—located on the door with integrated bins to create more usable storage space
- Full-width electronic temperature-controlled drawer with colored LED lights—5 accurate settings deliver the optimal temperature for your favorite foods, while colored lights indicate the chosen setting



Available August 2012



ecomagination



### PFE29PSD

#### GE Profile™ 28.6 cu. ft. French-door refrigerator

- Stainless steel doors with hidden hinges—offer a sleek finish with the clean look of concealed hinges
- Seamless stainless steel dispenser with pullout tray—gives you a streamlined look while easily filling tall items
- Hands-free Autofill—lets you walk away while the dispenser automatically fills any container with filtered water
- TwinChill evaporators—separate climates in the fresh food and freezer sections help maintain temperature and humidity levels to keep foods fresh
- Advanced filtration system—GE's exclusive filtration system removes harmful pharmaceuticals from water and ice
- In-the-door filter—located in the door for more available space in the fresh food section and easy replacement
- Drop-down tray—allows for extra door storage when you need it and tucks away when you don't
- Showcase LED lighting—positioned throughout the fresh food interior and under fresh food door to spotlight foods inside the refrigerator and in the freezer
- Space-saving icemaker—located on the door with integrated bins to create more usable storage space



Available May 2012



ecomagination

 Stainless steel



**PFE27KSD**

**GE Profile 26.7 cu. ft. French-door refrigerator**

- Stainless steel doors with hidden hinges—offer a sleek finish with the clean look of concealed hinges
- Seamless stainless steel dispenser with pullout tray—gives you a streamlined look while easily filling tall items
- TwinChill evaporators—separate climates in the fresh food and freezer sections help maintain temperature and humidity levels to keep foods fresh
- Advanced filtration system—GE's exclusive filtration system removes harmful pharmaceuticals from water and ice
- In-the-door filter—located in the door for more available space in the fresh food section and easy replacement
- Drop-down tray—allows for extra door storage when you need it and tucks away when you don't
- Showcase LED lighting—positioned throughout the fresh food interior and under fresh food door to spotlight foods inside the refrigerator and in the freezer
- Space-saving icemaker—located on the door with integrated bins to create more usable storage space
- TurboCool™ and TurboFreeze™ settings—an extra boost of cold air restores interior to set temperature for optimum food freshness

- PFE27KSDSS
- PFE27KGDBB  
high-gloss doors



ecomagination

Available June 2012



**PGSS5RKZ**

**GE Profile 24.8 cu. ft. refrigerator with armoire styling**

- Stainless steel doors with top and bottom bevels—add a sleek, designer look to your kitchen with robust handles
- 4-door armoire-style double-drawer freezer system—2 freezer drawers make it simple to find exactly what you're looking for
- In-the-door icemaker—frees up valuable space in the fresh food section for more storage of your favorite foods
- Tall, external ice and water dispenser with temperature display—makes and stores ice on the door, saving space
- Ramp-up LED lighting—lighting increases as the doors are opened until full illumination
- ClimateKeeper™ system—enjoy even cooling throughout the fresh food section
- Freshness Center™—2 adjustable-humidity drawers and 1 full-width adjustable-temperature drawer maintain fresh tastes
- Drop-down shelf—hide-away shelf provides additional space for a variety of items and tucks away when you don't need it
- Multi-level Slide 'n Store™ system—wire baskets combined with a plastic bin offer convenient storage and cleanability

- PGSS5RKZSS

**PGSS5NFZ (not shown)**

Similar to the PGSS5RKZ with 24.7 cu. ft. capacity, non-dispenser with factory-installed icemaker and GE Reveal® lighting.

- PGSS5NFZSS

○ Stainless steel    ● Black




# French-door refrigerators



## GFE29HSD

GE® 28.6 cu. ft. French-door refrigerator

- Stainless steel doors with hidden hinges—offer a sleek finish with the clean look of concealed hinges
- Stainless steel dispenser with pullout tray—easily fills large containers like pitchers or ice buckets with filtered water and ice
- Dual icemaker—an icemaker in both compartments gives you more ice whenever you need it
- TwinChill™ evaporators—separate climates in the fresh food and freezer sections help maintain temperature and humidity levels to keep foods fresh
- Advanced filtration system—GE's exclusive filtration system removes harmful pharmaceuticals from water and ice
- Showcase LED lighting—positioned throughout the fresh food interior and under fresh food door to spotlight foods inside the refrigerator and in the freezer
- Space-saving icemaker—located on the door with integrated bins to create more usable storage space
- TurboCool™ and TurboFreeze™ settings—an extra boost of cold air restores interior to set temperature for optimum food freshness
- QuickSpace™ shelf—functions as a normal full-sized shelf when needed and easily slides down for instant storage flexibility

-  GFE29HSDSS
-  GFE29HGDWW  
high-gloss doors
-  GFE29HGDBB  
high-gloss doors



ecomagination





Available May 2012



## GFE27GSD

GE 26.7 cu. ft. French-door refrigerator

- Stainless steel doors with hidden hinges—offer a sleek finish with the clean look of concealed hinges
- Stainless steel dispenser with pullout tray—easily fills large containers like pitchers or ice buckets with filtered water and ice
- TwinChill evaporators—separate climates in the fresh food and freezer sections help maintain temperature and humidity levels to keep foods fresh
- Advanced filtration system—GE's exclusive filtration system removes harmful pharmaceuticals from water and ice
- Showcase LED lighting—positioned throughout the fresh food interior and under fresh food door to spotlight foods inside the refrigerator and in the freezer
- Space-saving icemaker—located on the door with integrated bins to create more usable storage space
- TurboCool and TurboFreeze settings—an extra boost of cold air restores interior to set temperature for optimum food freshness
- QuickSpace shelf—functions as a normal full-sized shelf when needed and easily slides down for instant storage flexibility
- Adjustable spillproof glass shelf—holds up to 12 oz. of spilled liquids for easy cleanup and adjusts to provide additional food-storage options

-  GFE27GSDSS
-  GFE27GMDES
-  GFE27GGDWW  
high-gloss doors
-  GFE27GGDBB  
high-gloss doors



ecomagination




Available June 2012

-  Stainless steel
-  Slate
-  White
-  Black



**GNE26GSD**  
GE 26.3 cu. ft. French-door refrigerator

- Stainless steel doors with hidden hinges—offer a sleek finish with the clean look of concealed hinges
- Internal controls with actual temperature display—eliminate the guesswork of temperature setting with actual degrees displayed digitally
- TwinChill evaporators—separate climates in the fresh food and freezer sections help maintain temperature and humidity levels to keep foods fresh
- Advanced filtration system—GE's exclusive filtration system removes harmful pharmaceuticals from water and ice
- Showcase LED lighting—positioned throughout the fresh food interior and under fresh food door to spotlight foods inside the refrigerator and in the freezer
- Factory-installed icemaker—refrigerator comes ready to automatically create ice
- TurboCool and TurboFreeze settings—an extra boost of cold air restores interior to set temperature for optimum food freshness
- QuickSpace shelf—functions as a normal full-sized shelf when needed and easily slides down for instant storage flexibility
- Adjustable spillproof glass shelves—hold up to 12 oz. of spilled liquids for easy cleanup and adjust to provide additional food-storage options

-  **GNE26GSDSS**
-  **GNE26GGDWW**  
high-gloss doors
-  **GNE26GGDBB**  
high-gloss doors



ecomagination

Available July 2012




## French-door refrigerators (33" and 30" width)



### PFSS2MJY

#### GE Profile™ 22.0 cu. ft. French-door refrigerator

- 33" wide
- Stainless steel doors with top and bottom bevels—add a sleek, designer look to your kitchen with robust handles
- External water dispenser with actual-temperature display and child lock—easy to set, and a child lock helps provide additional peace of mind
- ClimateKeeper™ system—enjoy even cooling throughout the fresh food section
- Integrated dispenser with LED lighting and UltraFlow<sub>100</sub>—illuminates the dispenser and pours up to 100 ounces of water per minute
- Factory-installed icemaker with water filtration system—refrigerator comes ready to automatically create filtered ice
- BrightSpace™ interior with GE Reveal® lighting—it's easy to find your favorite foods under bright, clear interior lighting
- Freshness Center™—2 adjustable-humidity crispers keep fruits and vegetables fresh
- Multi-level Slide 'n Store™ system—baskets keep frozen foods organized and easy to find
- QuickSpace™ shelf—quickly slides out of the way to make room for tall items

-  PFSS2MJYSS
-  PFSF2MJYWW  
high-gloss doors
-  PFSF2MJYBB  
high-gloss doors






ecomagination



### PFSS2MIY

#### GE Profile™ 22.0 cu. ft. French-door refrigerator

- 33" wide
- Stainless steel doors with top and bottom bevels—add a sleek, designer look to your kitchen with robust handles
- Internal water dispenser with GE water filtration—delivers filtered water with one touch
- ClimateKeeper system—enjoy even cooling throughout the fresh food section
- Factory-installed icemaker with water filtration system—refrigerator comes ready to automatically create filtered ice
- BrightSpace interior with GE Reveal lighting—it's easy to find your favorite foods under bright, clear interior lighting
- Freshness Center—2 adjustable-humidity crispers keep fruits and vegetables fresh
- Multi-level Slide 'n Store system—baskets keep frozen foods organized and easy to find
- QuickSpace shelf—quickly slides out of the way to make room for tall items

-  PFSS2MIYSS
-  PFSF2MIYWW  
high-gloss doors
-  PFSF2MIYBB  
high-gloss doors



ecomagination




 Stainless steel    White    Black



**PFSS0MFZ**

**GE Profile 19.5 cu. ft. French-door refrigerator**

- 30" wide
- Stainless steel doors with top and bottom bevels—add a sleek, designer look to your kitchen with robust handles
- ClimateKeeper system—enjoy even cooling throughout the fresh food section
- Upfront temperature controls with actual-temperature display—easy-to-read controls display accurate temperatures
- BrightSpace interior with GE Reveal lighting—it's easy to find your favorite foods under bright, clear interior lighting
- Freshness Center—2 adjustable-humidity crispers keep fruits and vegetables fresh
- Multi-level Slide 'n Store system—baskets keep frozen foods organized and easy to find
- Factory-installed icemaker with water filtration system—refrigerator comes ready to automatically create filtered ice
- QuickSpace shelf—quickly slides out of the way to make room for tall items

-  **PFSS0MFZSS**
-  **PFSS0MFZWW**  
high-gloss doors
-  **PFSS0MFZBB**  
high-gloss doors



ecomagination



**GFSS2HCY**

**GE® 22.0 cu. ft. French-door refrigerator**

- 33" wide
- Stainless steel crown doors with hidden hinges—a striking finish with a clean, elegant look
- Upfront temperature controls—easy-to-use controls regulate both fresh food and freezer sections
- Factory-installed icemaker—refrigerator comes ready to automatically create ice
- BrightSpace interior with GE Reveal lighting—it's easy to find your favorite foods under bright, clear interior lighting
- 2-level Slide 'n Store system—baskets allow easy access to frozen foods
- Clear crisper drawers—transparent drawers make finding your favorite items quick and easy
- Snack drawer—conveniently stores favorite foods and allows for quick, easy access
- Adjustable spillproof glass shelves—hold up to 12 oz. of spilled liquids for easy cleanup and adjust to provide additional food-storage options
- Adjustable gallon door bins—offers ideal space for storing gallon containers in the door

-  **GFSS2HCYSS**
-  **GFSS2HCYWW**  
high-gloss doors
-  **GFSS2HCYBB**  
high-gloss doors



ecomagination

## Bottom-freezer refrigerators (33" and 30" width)



### GDSL3KCY

GE® 22.7 cu. ft. full-door refrigerator

- 33" wide
- CleanSteel™ crown doors with hidden hinges—add the elegance of stainless steel without fingerprints, smudges and smears
- Upfront temperature controls—easy-to-use controls regulate both fresh food and freezer sections
- Factory-installed icemaker—refrigerator comes ready to automatically create ice
- BrightSpace™ interior with GE Reveal® lighting—it's easy to find your favorite foods under bright, clear interior lighting
- 2-level Slide 'n Store™ system—baskets allow easy access to frozen foods
- Adjustable-humidity drawers—controls help food stay fresh
- Adjustable spillproof glass shelves—hold up to 12 oz. of spilled liquids for easy cleanup and adjust to provide additional food-storage options

CS GDSL3KCYLS

GDSC3KCYWW

GDSC3KCYBB

Both models



ecomagination

### GDSC0KCX (not shown)

Similar to the GDSL3KCY with 20.2 cu. ft. capacity and 30 inches wide.

GDSS0KXSS

CS GDSL0KXLS

GDSC0KXWW

GDSC0KXBB



### GBSL0HCX

GE 20.3 cu. ft. full-door refrigerator

- 30" wide
- CleanSteel crown doors with hidden hinges—add the elegance of stainless steel without fingerprints, smudges and smears
- Upfront electronic temperature controls—controls are located in an easy-to-reach position
- BrightSpace interior with GE Reveal lighting—it's easy to find your favorite foods under bright, clear interior lighting
- Clear crisper drawers—transparent drawers make finding your favorite items quick and easy
- Snack drawer—conveniently stores favorite foods and allows for quick, easy access
- Adjustable glass shelves—a variety of shelf configurations provide additional options for food storage
- Gallon door bins—deep bins handle large containers in the door for more fresh food space

CS GBSL0HCXRLS

CS GBSL0HCXLLS

GBSC0HCXWW

GBSC0HCXBB



ecomagination

Stainless steel CS CleanSteel White Black





**GBSC0HBX**  
 GE 20.3 cu. ft. full-door refrigerator

- 30" wide
- Upfront electronic temperature controls—controls are located in an easy-to-reach position
- BrightSpace interior with GE Reveal lighting—it's easy to find your favorite foods under bright, clear interior lighting
- Clear crispers drawers—transparent drawers make finding your favorite items quick and easy
- Snack drawer—conveniently stores favorite foods and allows for quick, easy access
- Adjustable glass shelves—a variety of shelf configurations provide additional options for food storage
- Gallon door bins—deep bins handle large containers in the door for more fresh food space

- GBSC0HBXWW
- GBSC0HBXCC
- GBSC0HBXBB



ecomagination



# SIDE-BY-SIDE REFRIGERATORS

A refrigerator this roomy means more groceries and fewer trips to the store.



## Explore side-by-side refrigerators



### Angled ALL LED lighting in fresh food and freezer

Brightly illuminates every inch of the fresh food and freezer compartments.



### Arctica® icemaker

Holds up to 10 lbs. of ice, which is ideal for parties or large family dinners.



### Color LCD controls with touch screen

LCD controls are easy to see and easy to use for all your refrigerator functions.



### UltraFlow<sub>100</sub>

Quench your thirst with the fastest-filling water dispenser in the industry.



### PreciseFill technology

Just select the desired measurement and let PreciseFill do the work.



### GE water filtration

Removing impurities means fresh-tasting water for your family.



### Removable gray gaskets

Color-matched design is easy to clean and complements overall look.



It chills!

### Full-extension drawer with CustomCool™ technology

Chill in minutes, thaw in hours and keep food fresh, longer.



It thaws!



It preserves!



### Electronic beverage center

Keeps your favorite drinks icy cold and within easy reach.



### Slide 'n Store™ full-extension freezer baskets

Slide well beyond the door for easy access to all your favorites.



### TurboCool™ setting

Foods will taste just how you expect, no matter how often you open the doors.



### Adjustable ClearLook™ door bins

Transparent fronts make finding your favorite door items quick and easy.

## Side-by-side counter-depth refrigerators



### CSCP5UGX

#### GE Café™ 24.6 cu. ft. refrigerator

- 72" tall
- **GE Café design—stainless steel sides and robust handles add modern touches to complement your kitchen**
- Dual evaporators—create the ideal environments to maintain fresh and frozen foods
- Dispenser with external controls, actual-temperature display and UltraFlow<sub>100</sub>—provides 100 oz. of filtered water per minute
- **ExpressChill™—chill your favorite beverages in minutes, not hours**
- Quick Ice™ setting—creates ice up to 50% faster than normal settings
- TurboCool™ setting—restores proper temperature to the refrigerator after frequent door openings
- Integrated Ice™ system—saves space and provides easy access to ice
- Slide 'n Store™ full-extension freezer baskets—slide well beyond the door for easy access to all your frozen favorites



CSCP5UGXSS



### PSDS5YGX

#### GE Profile™ counter-depth 24.6 cu. ft. refrigerator

- 72" tall
- Dual evaporators—create the ideal environments to maintain fresh and frozen foods
- **LED and GE Reveal® lighting—find all your favorite foods under natural-looking light**
- **Color LCD controls with touch screen—are easy to see and easy to use for all your refrigerator functions**
- Integrated dispenser with LED lighting, **PreciseFill** and UltraFlow<sub>100</sub>—illuminate the dispenser and control the exact amount and speed of water dispensed
- **QuickFreeze setting—provides fast freezing to maintain flavor and quality**
- Integrated Ice system—saves space and provides easy access to ice
- **Electronic beverage center—keeps beverages 2-3 degrees colder by monitoring with an electronic sensor**
- **CustomCool™ technology—full-extension drawer chills in minutes, thaws in hours and quickly preserves food**
- Slide 'n Store full-extension freezer baskets—slide well beyond the door for easy access to all your frozen favorites



PSDS5YGXSS



ecomagination

Stainless steel

Complete features and specifications on pages 206 and 208-209.

**Bold** = feature upgrade from previous model.

\*See page 198 for ADA requirements.

ecomagination—part of the ecomagination kitchen suite of appliances



**PSCF5RGX**

**GE Profile counter-depth 24.6 cu. ft. refrigerator**

- 72" tall
- Dual evaporators—create the ideal environments to maintain fresh and frozen foods
- Integrated dispenser with LED lighting and UltraFlow<sub>100</sub>—illuminates the dispenser and pours up to 100 oz. of water per minute
- Quick Ice setting—creates ice up to 50% faster than normal settings
- TurboCool setting—restores proper temperature to the refrigerator after frequent door openings
- Integrated Ice system—saves space and provides easy access to ice
- Slide 'n Store full-extension freezer baskets—slide well beyond the door for easy access to all your frozen favorites
- In-the-door beverage rack—beverages are chilled and ready without taking up valuable space
- Adjustable, slide-out spillproof glass shelves—raised edges help contain spills and make cleanup quick and easy
- Tilt-out freezer door bins—rotate forward for convenient access

- PSC55RGXSS
- PSCF5RGXWW high-gloss doors
- PSCF5RGXBB high-gloss doors



**PSDW3YGX**

**GE Profile counter-depth 23.2 cu. ft. stainless-wrapped refrigerator**

- 70" tall
- **Stainless-wrapped exterior—extra touches add to the overall style**
- Dual evaporators—create the ideal environments to maintain fresh and frozen foods
- LED and GE Reveal lighting—find all your favorite foods under natural-looking light
- Color LCD controls with touch screen—are easy to see and easy to use for all your refrigerator functions
- Integrated dispenser with LED lighting, PreciseFill and UltraFlow<sub>100</sub>—illuminate the dispenser and control the exact amount and speed of water dispensed
- QuickFreeze setting—provides fast freezing to maintain flavor and quality
- Integrated Ice system—saves space and provides easy access to ice
- Electronic beverage center—keeps beverages 2-3 degrees colder by monitoring with an electronic sensor
- CustomCool technology—full-extension drawer chills in minutes, thaws in hours and quickly preserves food
- Slide 'n Store full-extension freezer baskets—slide well beyond the door for easy access to all your frozen favorites

- PSDW3YGXSS



ecomagination

- Stainless steel
- White
- Black

## Side-by-side counter-depth refrigerators



### PSDS3YGX

#### GE Profile™ counter-depth 23.2 cu. ft. refrigerator

- 70" tall
- **Dual evaporators**—create the ideal environments to maintain fresh and frozen foods
- **LED and GE Reveal® lighting**—find all your favorite foods under natural-looking light
- **Color LCD controls with touch screen**—are easy to see and easy to use for all your refrigerator functions
- **Integrated dispenser with LED lighting, PreciseFill and UltraFlow<sub>100</sub>**—illuminate the dispenser and control the exact amount and speed of water dispensed
- **QuickFreeze setting**—provides fast freezing to maintain flavor and quality
- **Integrated Ice™ system**—saves space and provides easy access to ice
- **Electronic beverage center**—keeps beverages 2–3 degrees colder by monitoring with an electronic sensor
- **CustomCool™ technology**—full-extension drawer chills in minutes, thaws in hours and quickly preserves food
- **Slide 'n Store™** full-extension freezer baskets—slide well beyond the door for easy access to all your frozen favorites



PSDS3YGXSS



ecomagination



### PSCF3RGX

#### GE Profile counter-depth 23.3 cu. ft. refrigerator

- 70" tall
- **ClimateKeeper™ system**—enjoy even cooling throughout the fresh food section
- **Integrated dispenser** with LED lighting and UltraFlow<sub>100</sub>—illuminates the dispenser and pours up to 100 oz. of water per minute
- **Quick Ice™ setting**—creates ice up to 50% faster than normal settings
- **TurboCool™ setting**—restores proper temperature to the refrigerator after frequent door openings
- **Integrated Ice system**—saves space and provides easy access to ice
- **Integrated shelf support system**—provides strong, flexible support
- **Adjustable, slide-out spillproof glass shelves**—raised edges help contain spills and make cleanup quick and easy
- **In-the-door beverage rack**—beverages are chilled and ready without taking up valuable space



PSCS3RGXSS



**PSCF3RGXWW**

high-gloss doors



**PSCF3RGXCC**

high-gloss doors



**PSCF3RGXBB**

high-gloss doors



Stainless steel
 White
 Bisque
 Black

Complete features and specifications on pages 206–207 and 209.  
**Bold** = feature upgrade from previous model.

\*See page 198 for ADA requirements.

ecomagination—part of the ecomagination kitchen suite of appliances



**PSIC3RGX**

**GE Profile counter-depth 23.3 cu. ft. refrigerator**

- 70" tall
- ClimateKeeper system—enjoy even cooling throughout the fresh food section
- Dispenser with **LED lighting** and UltraFlow<sub>100</sub>—illuminates the dispenser and pours up to 100 oz. of water per minute
- Quick Ice setting—creates ice up to 50% faster than normal settings
- TurboCool setting—restores proper temperature to the refrigerator after frequent door openings
- Integrated Ice system—saves space and provides easy access to ice
- Integrated shelf support system—provides strong, flexible support
- Adjustable ClearLook™ door bins—hold gallon containers with ease and free up valuable shelf space
- Adjustable, slide-out spillproof glass shelves—raised edges help contain spills and make cleanup quick and easy

- PSIC3RGXWV  
panel-required model
- PSIC3RGXBV  
panel-required model



**GSCF3PGX**

**GE® counter-depth 22.7 cu. ft. refrigerator**

- 70" tall
- ClimateKeeper system—enjoy even cooling throughout the fresh food section
- Dispenser with external controls, actual-temperature display and UltraFlow<sub>100</sub>—provides 100 oz. of filtered water per minute
- Quick Ice setting—creates ice up to 50% faster than normal settings
- TurboCool setting—restores proper temperature to the refrigerator after frequent door openings
- Integrated Ice system—saves space and provides easy access to ice
- Integrated shelf support system—provides strong, flexible support
- Adjustable ClearLook door bins—hold gallon containers with ease and free up valuable shelf space
- In-the-door can rack—keeps cans organized for easy access
- Adjustable, slide-out spillproof glass shelves—raised edges help contain spills and make cleanup quick and easy

- GSCS3PGXSS
- GSCF3PGXWW  
high-gloss doors
- GSCF3PGXBB  
high-gloss doors



# Side-by-side refrigerators



## CSHS6UGZ

### GE Café™ 25.7 cu. ft. refrigerator

- GE Café design—stainless steel sides and robust handles add modern touches to complement your kitchen
- ClimateKeeper™ system—enjoy even cooling throughout the fresh food section
- Dispenser with external controls, actual-temperature display and UltraFlow<sub>100</sub>—provides 100 oz. of filtered water per minute
- **ExpressChill™**—chill your favorite beverages in minutes, not hours
- Slide 'n Store™ full-extension freezer baskets—slide well beyond the door for easy access to all your frozen favorites
- Quick Ice™ setting—creates ice up to 50% faster than normal settings
- TurboCool™ setting—restores proper temperature to the refrigerator after frequent door openings
- Arctica® icemaker—holds up to 10 lbs of ice, so there's enough for all occasions
- Tilt-out freezer door bins—rotate forward for convenient access

○ CSHS6UGZSS



ecomagination



## PSHS6YGZ

### GE Profile™ 25.6 cu. ft. refrigerator

- Dual evaporators—create the ideal environments to maintain fresh and frozen foods
- Angled ALL LED lighting in fresh food and freezer—illuminates every inch of the fresh food and freezer compartments
- **Color LCD controls with touch screen**—are easy to see and easy to use for all your refrigerator functions
- Integrated dispenser with LED lighting, **PreciseFill** and UltraFlow<sub>100</sub>—illuminate the dispenser and control the exact amount and speed of water dispensed
- **Electronic beverage center**—keeps beverages 2-3 degrees colder by monitoring with an electronic sensor
- **CustomCool™ technology**—full-extension drawer chills in minutes, thaws in hours and quickly preserves food
- Slide 'n Store full-extension freezer baskets—slide well beyond the door for easy access to all your frozen favorites
- Quick Ice setting—creates ice up to 50% faster than normal settings
- TurboCool setting—restores proper temperature to the refrigerator after frequent door openings
- Arctica icemaker—holds up to 10 lbs of ice, so there's enough for all occasions

○ PSHW6YGZSS  
stainless-wrapped

○ PSHS6YGZSS

○ PSHF6YGZWW  
high-gloss doors

● PSHF6YGZBB  
high-gloss doors



ecomagination

○ Stainless steel   ○ White   ● Black

Complete features and specifications on page 210.  
**Bold** = feature upgrade from previous model.

\*See page 198 for ADA requirements.




ecomagination—part of the ecomagination kitchen suite of appliances





**PSHS9PGZ**  
**GE Profile 29.1 cu. ft. refrigerator**

- ClimateKeeper system—enjoy even cooling throughout the fresh food section
- Integrated dispenser with LED lighting and UltraFlow<sub>100</sub>—illuminates the dispenser and pours up to 100 oz. of water per minute
- Angled ALL LED lighting in fresh food and freezer—illuminates every inch of the fresh food and freezer compartments
- Arctica icemaker—holds up to 10 lbs of ice, so there's enough for all occasions
- Slide 'n Store freezer baskets—provide plenty of easy-access storage for frozen foods
- Quick Ice setting—creates ice up to 50% faster than normal settings
- TurboCool setting—restores proper temperature to the refrigerator after frequent door openings
- Adjustable ClearLook™ door bins—hold gallon containers with ease and free up valuable shelf space

-  PSHS9PGZSS
-  PSHF9PGZWW  
high-gloss doors
-  PSHF9PGZBB  
high-gloss doors






ecomagination



**PSHS6PGZ**  
**GE Profile 25.9 cu. ft. refrigerator**

- ClimateKeeper system—enjoy even cooling throughout the fresh food section
- Integrated dispenser with LED lighting and UltraFlow<sub>100</sub>—illuminates the dispenser and pours up to 100 oz. of water per minute
- Angled ALL LED lighting in fresh food and freezer—illuminates every inch of the fresh food and freezer compartments
- Arctica icemaker—holds up to 10 lbs of ice, so there's enough for all occasions
- Slide 'n Store freezer baskets—provide plenty of easy-access storage for frozen foods
- Quick Ice setting—creates ice up to 50% faster than normal settings
- TurboCool setting—restores proper temperature to the refrigerator after frequent door openings
- Adjustable ClearLook door bins—hold gallon containers with ease and free up valuable shelf space

-  PSHS6PGZSS
-  PSHF6PGZWW  
high-gloss doors
-  PSHF6PGZBB  
high-gloss doors



ecomagination

## Side-by-side refrigerators



### GSHS6NGB

#### GE® 25.9 cu. ft. refrigerator

- ClimateKeeper™ system—enjoy even cooling throughout the fresh food section
- Integrated dispenser with UltraFlow<sub>64</sub>—dispenses 64 oz. of filtered water per minute
- **Angled ALL LED lighting in fresh food and freezer—illuminates every inch of the fresh food and freezer compartments**
- Freshness Center™ (2-stack drawer system)—maintains fresh tastes with 2 humidity-controlled crisper drawers
- Adjustable ClearLook™ door bins—hold gallon containers with ease and free up valuable shelf space
- **QuickSpace™ shelf—quickly slides out of the way to make room for tall items**
- Arctica® icemaker—holds up to 10 lbs of ice, so there's enough for all occasions
- Adjustable, slide-out spillproof glass shelves—raised edges help contain spills and make cleanup quick and easy

 GSHS6NGBSS

 GSHF6NGBWW  
high-gloss doors

 GSHF6NGBBB  
high-gloss doors



ecomagination



### GSHS6LGB

#### GE 25.9 cu. ft. refrigerator

- ClimateKeeper system—enjoy even cooling throughout the fresh food section
- Integrated dispenser with UltraFlow<sub>64</sub>—dispenses 64 oz. of filtered water per minute
- Freshness Center (2-stack drawer system)—maintain fresh tastes with 2 humidity-controlled crisper drawers
- Adjustable ClearLook door bins—hold gallon containers with ease and free up valuable shelf space
- Adjustable, slide-out spillproof glass shelves—raised edges help contain spills and make cleanup quick and easy
- GE water filtration—6-month filter—removes impurities for fresh-tasting water
- Arctica icemaker—holds up to 10 lbs of ice, so there's enough for all occasions

 GSHS6LGBSS

 GSHF6LGBWW  
high-gloss doors

 GSHF6LGBBB  
high-gloss doors



ecomagination

 Stainless steel  White  Black

Complete features and specifications on pages 212-213.  
**Bold** = feature upgrade from previous model.






\*See page 198 for ADA requirements.

ecomagination—part of the ecomagination kitchen suite of appliances



**GSH25JSD**  
GE 25.3 cu. ft. refrigerator

- ClimateGuard—monitors temperatures and adjusts cooling to help maintain freshness
- Dispenser with external temperature controls, child lock and UltraFlow<sub>64</sub>—control the temperature and dispense 64 ounces of filtered water per minute
- Adjustable-humidity drawer—controls help food stay fresh
- Adjustable-temperature drawer—helps keep your favorite food items cold and ready to eat
- Snack drawer—conveniently stores favorite foods and allows for quick, easy access
- Adjustable gallon door bins—offer ideal space for storing gallon containers in the door
- Adjustable, slide-out spillproof glass shelves—raised edges help contain spills and make cleanup quick and easy

-  **GSH25JSDSS**  
(as shown)
-  **GSL25JGDLS**
-  **GSH25JGDWW**  
high-gloss doors
-  **GSH25JGDCC**  
high-gloss doors
-  **GSH25JGDDB**  
high-gloss doors







ecomagination



**GSHS6HGD**  
GE 25.9 cu. ft. refrigerator

- Integrated dispenser with UltraFlow<sub>64</sub>—dispenses 64 oz. of filtered water per minute
- Freshness Center (2-stack drawer system)—maintains fresh tastes with 2 humidity-controlled crisper drawers
- Adjustable gallon door bins—offer ideal space for storing gallon containers in the door
- Adjustable, slide-out spillproof glass shelves—raised edges help contain spills and make cleanup quick and easy
- GE water filtration—6-month filter—removes impurities for fresh-tasting water
- Arctica icemaker—holds up to 10 lbs of ice, so there's enough for all occasions

-  **GSHS6HGDSS**
-  **GSHF6HGDWW**  
high-gloss doors
-  **GSHF6HGDCC**  
high-gloss doors
-  **GSHF6HGDDB**  
high-gloss doors



ecomagination

## Side-by-side refrigerators



### PSSS3RGZ

#### GE Profile™ 23.1 cu. ft. refrigerator

- ClimateKeeper™ system—enjoy even cooling throughout the fresh food section
- Integrated dispenser with UltraFlow<sub>100</sub>—dispense 100 oz. of filtered water per minute
- Quick Ice™ setting—creates ice up to 50% faster than normal settings
- TurboCool™ setting—restores proper temperature to the refrigerator after frequent door openings
- Arctica® icemaker—a special access door puts ice within reach
- Integrated shelf support system—provides strong, flexible support
- Adjustable ClearLook™ door bins—hold gallon containers with ease and free up valuable shelf space

- PSSS3RGZSS
- PSSF3RGZWW high-gloss doors
- PSSF3RGZCC high-gloss doors
- PSSF3RGZBB high-gloss doors



### GSHF3KGZ

#### GE® 23.1 cu. ft. refrigerator

- ClimateKeeper system—enjoy even cooling throughout the fresh food section
- Integrated dispenser with UltraFlow<sub>64</sub>—dispenses 64 oz. of filtered water per minute
- Freshness Center™ (2-stack drawer system)—maintains fresh tastes with 2 humidity-controlled crisper drawers
- Adjustable ClearLook door bins—hold gallon containers with ease and free up valuable shelf space
- In-the-door can rack—keeps cans organized for easy access
- Adjustable, slide-out spillproof glass shelves—raised edges help contain spills and make cleanup quick and easy
- GE water filtration—6-month filter—removes impurities for fresh-tasting water
- Arctica icemaker—a special access door puts ice within reach

- GSHS3KGZSS
- GSHF3KGZWW high-gloss doors
- GSHF3KGZCC high-gloss doors
- GSHF3KGZBB high-gloss doors



ecomagination

- Stainless steel
- White
- Bisque
- Black

Complete features and specifications on pages 211-213.  
**Bold** = feature upgrade from previous model.






\*See page 198 for ADA requirements.

ecomagination—part of the ecomagination kitchen suite of appliances



**GSH22JSD**  
GE 21.9 cu. ft. refrigerator

- ClimateGuard—monitors temperatures and adjusts cooling to help maintain freshness
- Dispenser with external temperature controls, child lock and UltraFlow<sub>64</sub>—control the temperature and dispense 64 ounces of filtered water per minute
- **Adjustable-humidity drawer—controls help food stay fresh**
- **Adjustable-temperature drawer—helps keep your favorite food items cold and ready to eat**
- **Snack drawer—conveniently stores favorite foods and allows for quick, easy access**
- **Adjustable gallon door bins—offer ideal space for storing gallon containers in the door**
- **Adjustable, slide-out spillproof glass shelves—raised edges help contain spills and make cleanup quick and easy**

-  GSH22JSDSS
-  GSL22JGDLS
-  GSH22JGDWW
-  GSH22JGDCC
-  GSH22JGDBB





ecomagination



**GSS20GEW**  
GE 20.0 cu. ft. refrigerator

- ClimateGuard—monitors temperatures and adjusts cooling to help maintain freshness
- Dispenser with external temperature controls and child lock—are easy to set while a child lock helps prevent unintended use
- Sealed crisper—provides ideal storage for fresh fruits and vegetables
- Gallon door bins—deep bins handle large containers in the door for more fresh food space
- Adjustable glass shelves—a variety of shelf configurations provide additional options for food storage

-  GSS20GEWWW
-  GSS20GEWCC
-  GSS20GEWBB



# BUILT-IN SIDE-BY-SIDE REFRIGERATORS

A refrigerator that fits nearly flush to cabinetry means it looks like it's custom-made for your kitchen.



Model shown:  
PSB48YSX



**Overhead dual-evaporator system**  
Frozen foods keep their great tastes by eliminating shared air.



**Digital temperature controls**  
Precise settings take the guesswork out of adjusting your refrigerator.



**Quick Ice™ setting**  
Speed up your icemaker to keep up with your life.



**GE water filtration**  
Removing impurities means fresh-tasting water for your family.



**ClimateKeeper™ system with dual evaporators**  
Separate evaporators keep foods garden fresh longer.



**Adjustable-humidity crisper drawers**  
Adjustable humidity controls keep fresh produce fresh.

# Built-in side-by-side refrigerators



## PSB48YSX

### GE Profile 29.5 cu. ft. refrigerator

- 48" built-in configuration
- Stainless steel exterior—adds elegance to any kitchen décor
- Dual evaporators—create the ideal environments to maintain fresh and frozen foods
- ClimateKeeper system—enjoy even cooling throughout the fresh food section
- External controls with actual-temperature display, child lock and door alarm—simplifies settings and helps lock controls
- GE water filtration—6-month filter—removes impurities for fresh-tasting water
- FrostGuard™ technology—controlled defrosting helps foods retain flavor
- Quick Ice setting—creates ice up to 50% faster than normal settings
- Wire slide-out full-extension freezer baskets—allow quick access to frozen foods

- PSB48YSXSS
- PSB48YGXSV panel-required model

### PSB42YSX (not shown)

Similar to the PSB48YSX with 25.2 cu. ft. capacity and 42" built-in configuration.

- PSB42YSXSS
- PSB42YGXSV panel-required model

- Stainless steel

Complete features and specifications on page 199.

Built-in refrigerators with trim kit accept custom panels and custom handles. To achieve a custom look, you can order 1/4" or 3/4" wood panels from your cabinetmaker. You'll discover all kinds of ways to enhance your kitchen. Our trimless unit, which comes in stainless steel, simply slides into the space between cabinets. It instantly looks built-in, with no panels to attach or install.



PSB48YGX/PSB42YGX shown with optional 1/4" custom wood panels



PSB48YGX/PSB42YGX shown with optional 3/4" custom wood panels and custom handles



PSB48YGX/PSB42YGX shown with optional 3/4" custom wood panels and custom handles

# TOP-FREEZER REFRIGERATORS

A refrigerator filled with features is easy to load up with your favorites.





## Explore top-freezer refrigerators



### Internal water dispenser

Provides chilled, great-tasting filtered water on demand, from inside the refrigerator.



### Adjustable ClearLook™ gallon door bins

Hold large containers with style and ease.



### Adjustable-temperature deli drawer

Provides a convenient, temperature-controlled place for meats, cheeses and other favorite foods.



### Adjustable-humidity crispers

Provide the ideal storage environment for fruits and vegetables.



### Slide-out, spillproof glass shelves

Raised edges hold up to 12 oz. of liquid and slide-out shelves keep small spills from becoming big messes.



### GE water and ice filtration

Delivers clean, fresh-tasting water through the internal water dispenser.



### Only GE has it! Electronic touch controls with actual-temperature display

Precise and easy to use; takes the guesswork out of selecting accurate temperatures.



### Only GE has it! FrostGuard™ technology

Defrosts only when needed, reducing freezer burn.



### ShelfSaver™ beverage rack

Provides convenient storage for a 12-pack, two egg cartons or a 9" x 13" casserole dish.

## Top-freezer refrigerators



### PTS25SHS

#### GE Profile™ 24.6 cu. ft. refrigerator

- ClimateKeeper™ system—enjoy even cooling throughout the fresh food section
- Internal water dispenser with GE water filtration—delivers filtered water with one touch
- Upfront electronic touch controls with actual-temperature display—easy-to-read controls display accurate temperatures
- Factory-installed icemaker—refrigerator comes ready to automatically create ice
- Adjustable, slide-out spillproof glass shelves—raised edges help contain spills and make cleanup quick and easy
- Adjustable ClearLook™ door bins—hold gallon containers with ease and free up valuable shelf space
- Tilt-out freezer door bins—rotate forward for convenient access
- FrostGuard™ technology—controlled defrosting helps foods retain flavor

○ PTS25SHSS

○ PTS25LHSWW

● PTS25LHSBB



### PTS22LHS

#### GE Profile 21.7 cu. ft. refrigerator

- ClimateKeeper system—enjoy even cooling throughout the fresh food section
- Internal water dispenser with GE water filtration—delivers filtered water with one touch
- Upfront electronic touch controls with actual-temperature display—easy-to-read controls display accurate temperatures
- Factory-installed icemaker—refrigerator comes ready to automatically create ice
- Adjustable, slide-out spillproof glass shelves—raised edges help contain spills and make cleanup quick and easy
- Adjustable ClearLook door bins—hold gallon containers with ease and free up valuable shelf space
- Tilt-out freezer door bins—rotate forward for convenient access
- FrostGuard technology—controlled defrosting helps foods retain flavor

○ PTS22SHSS

○ PTS22LHSWW

● PTS22LHSBB

○ Stainless steel   ○ White   ● Black



**GTS22SBX**  
GE® 21.7 cu. ft. refrigerator

- Adjustable spillproof glass shelves—hold up to 12 oz. of spilled liquids for easy cleanup and adjust to provide additional food-storage options
- Upfront illuminated temperature control—easy-to-reach controls regulate interior temperatures
- Adjustable-humidity drawers—controls help food stay fresh
- Snack drawer—conveniently stores favorite foods and allows for quick, easy access
- Adjustable gallon door bins—offer ideal space for storing gallon containers in the door
- Wire freezer shelf—provides additional storage for frozen foods

- GTS22SBXSS
- GTS22KBPWW
- GTS22KBPCC
- GTS22KBPBB



**GTH21KCX**  
GE 21.0 cu. ft. refrigerator

- Adjustable spill-resistant glass shelves—designed to contain spills for easy cleaning
- Factory-installed icemaker—refrigerator comes ready to automatically create ice
- Adjustable-humidity drawers—controls help food stay fresh
- Snack drawer—conveniently stores favorite foods and allows for quick, easy access
- Upfront temperature controls—easy-to-use controls that regulate both fresh food and freezer sections
- Wire freezer shelf—provides additional storage for frozen foods

- GTH21SCXSS  
ENERGY STAR® model
- GTH21KCXWW  
ENERGY STAR model
- GTH21KCXBB  
ENERGY STAR model



ecomagination






- Stainless steel
- White
- Bisque
- Black

# Top-freezer refrigerators





## GTH21SBX GE® 21.0 cu. ft. refrigerator

- Adjustable spill-resistant glass shelves—designed to contain spills for easy cleaning
- Gallon door bins—deep bins handle large containers in the door for more fresh food space
- Adjustable-humidity drawers—controls help food stay fresh
- Snack drawer—conveniently stores favorite foods and allows for quick, easy access
- Upfront temperature controls—easy-to-use controls that regulate both fresh food and freezer sections
- Wire freezer shelf—provides additional storage for frozen foods

-  **GTH21SBXSS**  
ENERGY STAR® model
-  **GTL21KBXBS**  
ENERGY STAR model
-  **GTH21KBXWW**  
ENERGY STAR model
-  **GTH21KBXCC**  
ENERGY STAR model
-  **GTH21KBXBB**  
ENERGY STAR model






ecomagination

-  **GTS21KBXWW**  
Non-ENERGY STAR model
-  **GTS21KBXBB**  
Non-ENERGY STAR model



## GTH20SBB GE 20.0 cu. ft. refrigerator

- Adjustable spill-resistant glass shelves—designed to contain spills for easy cleaning
- Adjustable gallon door bins—offer ideal space for storing gallon containers in the door
- Adjustable-humidity drawers—controls help food stay fresh
- Snack drawer—conveniently stores favorite foods and allows for quick, easy access
- Upfront temperature controls—easy-to-use controls that regulate both fresh food and freezer sections
- Wire freezer shelf—provides additional storage for frozen foods

-  **GTH20SBSS**  
ENERGY STAR model
-  **GTH20JBBWW**  
ENERGY STAR model
-  **GTH20JBBB**  
ENERGY STAR model



ecomagination

 Stainless steel  CleanSteel™  White  Bisque  Black

Complete features and specifications on pages 215–216.  
**Bold** = feature upgrade from previous model.

\*See page 198 for ADA requirements.

ecomagination—part of the ecomagination kitchen suite of appliances



**GTK18ICD**  
GE 18.0 cu. ft. refrigerator

- Adjustable glass shelves—a variety of shelf configurations provide additional options for food storage
- Factory-installed icemaker—refrigerator comes ready to automatically create ice
- Upfront temperature controls—easy-to-use controls that regulate both fresh food and freezer sections
- **Clear crisper drawers—transparent drawers make finding your favorite items quick and easy**
- **Gallon door bins—deep bins handle large containers in the door for more fresh food space**
- Snack drawer—conveniently stores favorite foods and allows for quick, easy access
- Wire freezer shelf—provides additional storage for frozen foods

CS **GTK18ICDBS**  
ENERGY STAR model



**GTH18ISDSS**  
ENERGY STAR and non-icemaker model

ecomagination



CS **GTK18IBDBS**  
ENERGY STAR and non-icemaker model

**GTH18BDWW**  
ENERGY STAR and non-icemaker model

**GTH18IBDBB**  
ENERGY STAR and non-icemaker model



**GTH18DCD**  
GE 18.0 cu. ft. refrigerator

- Adjustable glass and wire shelves—flexible shelving options can be arranged to handle all your foods
- Upfront temperature controls—easy-to-use controls that regulate both fresh food and freezer sections
- Factory-installed icemaker—refrigerator comes ready to automatically create ice
- Crisper drawers—provide the ideal environment for storing your fruits and vegetables
- **Spillproof freezer floor—seamless design of the freezer floor wipes up easily for quick cleanup**
- Gallon door storage—larger items are easily accommodated in the door
- Wire freezer shelf—provides additional storage for frozen foods

**GTH18DCDWW**  
ENERGY STAR model



**GTH18DCDBB**  
ENERGY STAR model

**GTH18DBDWW**  
ENERGY STAR and non-icemaker model

ecomagination



**GTH18DBXBB**  
ENERGY STAR and non-icemaker model

Stainless steel CS CleanSteel White Black

## Top-freezer refrigerators



### GTH18LCD GE® 18.1 cu. ft. refrigerator

- Adjustable spillproof glass shelves—hold up to 12 oz. of spilled liquids for easy cleanup and adjust to provide additional food-storage options
- Factory-installed icemaker—refrigerator comes ready to automatically create ice
- Upfront temperature controls—easy-to-use controls that regulate both fresh food and freezer sections
- Adjustable-humidity drawers—controls help food stay fresh
- Snack drawer—conveniently stores favorite foods and allows for quick, easy access
- Gallon door storage—larger items are easily accommodated in the door
- Can storage door shelf—holds cans in the door for easy selection and quick access
- Wire freezer shelf—provides additional storage for frozen foods

- GTH18LCDWW  
ENERGY STAR® model
- GTH18LCDBB  
ENERGY STAR model



ecomagination



### GTJ18GCD GE 18.1 cu. ft. refrigerator

- Adjustable spill-resistant glass shelves—designed to contain spills for easy cleaning
- **Factory-installed icemaker—refrigerator comes ready to automatically create ice**
- Upfront temperature controls—easy-to-use controls that regulate both fresh food and freezer sections
- Adjustable-humidity drawers—controls help food stay fresh
- Snack drawer—conveniently stores favorite foods and allows for quick, easy access
- Gallon door storage—larger items are easily accommodated in the door
- Can storage door shelf—holds cans in the door for easy selection and quick access
- Wire freezer shelf—provides additional storage for frozen foods

- GTJ18GCDSA  
ENERGY STAR model
- GTJ18GCDWW  
ENERGY STAR model
- GTJ18GCDC  
ENERGY STAR model
- GTJ18GCDBB  
ENERGY STAR model



ecomagination

○ Silver metallic   ○ White   ○ Bisque   ● Black

Complete features and specifications on pages 216–217.  
**Bold** = feature upgrade from previous model.

ecomagination—part of the ecomagination kitchen suite of appliances



**GTH18GBD**  
GE 18.1 cu. ft. refrigerator

- Adjustable spill-resistant glass shelves—designed to contain spills for easy cleaning
- Upfront temperature controls—easy-to-use controls that regulate both fresh food and freezer sections
- Adjustable-humidity drawers—controls help food stay fresh
- Snack drawer—conveniently stores favorite foods and allows for quick, easy access
- Gallon door storage—larger items are easily accommodated in the door
- Can storage door shelf—holds cans in the door for easy selection and quick access
- Wire freezer shelf—provides additional storage for frozen foods

 **GTH18GBDWW**  
ENERGY STAR and non-icemaker model

 **GTH18GBDCC**  
ENERGY STAR and non-icemaker model

 **GTH18GBDBB**  
ENERGY STAR and non-icemaker model



ecomagination



**GTH18CCD**  
GE 18.1 cu. ft. refrigerator

- Adjustable wire shelves—moveable racks can handle a variety of foods
- Factory-installed icemaker—refrigerator comes ready to automatically create ice
- Upfront temperature controls—easy-to-use controls that regulate both fresh food and freezer sections
- Gallon door storage—larger items are easily accommodated in the door
- Can storage door shelf—holds cans in the door for easy selection and quick access
- Crisper drawers—provide the ideal environment for storing your fruits and vegetables
- Wire freezer shelf—provides additional storage for frozen foods

 **GTH18CCDWW**  
ENERGY STAR model

 **GTH18CCDBB**  
ENERGY STAR model



All models



ecomagination

 **GTS18CCDWW**  
Non-ENERGY STAR model

 **GTS18CCDBB**  
Non-ENERGY STAR model

 White  Bisque  Black

# Top-freezer refrigerators



## GTJ18CBD GE® 18.1 cu. ft. refrigerator

- Adjustable wire shelves—moveable racks can handle a variety of foods
- Upfront temperature controls—easy-to-use controls that regulate both fresh food and freezer sections
- Gallon door storage—larger items are easily accommodated in the door
- Crisper drawers—provide the ideal environment for storing your fruits and vegetables
- Wire freezer shelf—provides additional storage for frozen foods

 **GTJ18CBDSA**  
ENERGY STAR® model



ecomagination



## GTH18CBD GE 18.1 cu. ft. refrigerator

- Adjustable wire shelves—moveable racks can handle a variety of foods
- Upfront temperature controls—easy-to-use controls that regulate both fresh food and freezer sections
- Gallon door storage—larger items are easily accommodated in the door
- Can storage door shelf—holds cans in the door for easy selection and quick access
- Crisper drawers—provide the ideal environment for storing your fruits and vegetables
- Wire freezer shelf—provides additional storage for frozen foods

 **GTH18CBDRWW**  
ENERGY STAR model

 **GTH18CBDLWW**  
ENERGY STAR model

 **GTH18CBDCC**  
ENERGY STAR model

 **GTH18CBDDB**  
ENERGY STAR model



All models



ecomagination

 **GTS18CBDWW**  
Non-ENERGY STAR model

 **GTS18CBDDB**  
Non-ENERGY STAR model

 Silver metallic  White  Bisque  Black

Complete features and specifications on pages 216–217.  
**Bold** = feature upgrade from previous model.

ecomagination—part of the ecomagination kitchen suite of appliances





**GTN18CBD**  
GE 18.1 cu. ft. refrigerator

- Recessed handles—flush with the surface and ideal for tight spaces
- Adjustable wire shelves—moveable racks can handle a variety of foods
- Upfront temperature controls—easy-to-use controls that regulate both fresh food and freezer sections
- Gallon door storage—larger items are easily accommodated in the door
- Can storage door shelf—holds cans in the door for easy selection and quick access
- Crisper drawers—provide the ideal environment for storing your fruits and vegetables
- **Wire freezer shelf—provides additional storage for frozen foods**

 GTN18CBDWW  
ENERGY STAR model



ecomagination



**GTS18ABD**  
GE 18.1 cu. ft. refrigerator

- Adjustable wire shelves—moveable racks can handle a variety of foods
- Upfront temperature controls—easy-to-use controls that regulate both fresh food and freezer sections
- Gallon door storage—larger items are easily accommodated in the door
- Can storage door shelf—holds cans in the door for easy selection and quick access
- Crisper drawer—provides the ideal environment for storing your fruits and vegetables

 GTS18ABDWW

 GTS18ABDBB



 White  Black

# Top-freezer refrigerators



## GTK17JCD GE® 16.5 cu. ft. refrigerator

- CleanSteel™ exterior—the look of stainless steel without smudges and smears
- Adjustable spillproof glass shelves—hold up to 12 oz. of spilled liquids for easy cleanup and adjust to provide additional food-storage options
- Factory-installed icemaker—refrigerator comes ready to automatically create ice
- Upfront temperature controls—easy-to-use controls that regulate both fresh food and freezer sections
- Adjustable-humidity drawers—controls help food stay fresh
- Gallon door storage—larger items are easily accommodated in the door
- **Snack drawer—conveniently stores favorite foods and allows for quick, easy access**
- Wire freezer shelf—provides additional storage for frozen foods


 **GTK17JCDBS**  
ENERGY STAR® model



 **GTK17JBDBS**  
ENERGY STAR and non-icemaker model

ecomagination



 **GTH17JBDWW**  
ENERGY STAR and non-icemaker model

 **GTH17JBDDB**  
ENERGY STAR and non-icemaker model



## GTH17DBD GE 16.5 cu. ft. refrigerator

- Adjustable wire shelves—moveable racks can handle a variety of foods
- Upfront temperature controls—easy-to-use controls that regulate both fresh food and freezer sections
- Gallon door storage—larger items are easily accommodated in the door
- **Clear crisper drawers—transparent drawers make finding your favorite items quick and easy**
- Wire freezer shelf—provides additional storage for frozen foods

 **GTH17DBDWW**  
ENERGY STAR model



 **GTH17DBDCC**  
ENERGY STAR model

 **GTH17DBDBB**  
ENERGY STAR model

ecomagination



 CleanSteel™  White  Bisque  Black

Complete features and specifications on page 217.  
**Bold** = feature upgrade from previous model.




\*See page 198 for ADA requirements.

ecomagination—part of the ecomagination kitchen suite of appliances



**GTH16BBX**  
GE 15.5 cu. ft. refrigerator

- Adjustable wire shelves—moveable racks can handle a variety of foods
- Upfront temperature controls—easy-to-use controls that regulate both fresh food and freezer sections
- Gallon door storage—larger items are easily accommodated in the door
- Crisper drawers—provide the ideal environment for storing your fruits and vegetables




-  **GTH16BBXRWW**  
ENERGY STAR model
-  **GTH16BBXLWW**  
ENERGY STAR model
-  **GTH16BBXCC**  
ENERGY STAR model



ecomagination

All models



-  **GTS16BBSRWW**  
Non-ENERGY STAR model
-  **GTS16BBSLWW**  
Non-ENERGY STAR model
-  **GTS16BBSCC**  
Non-ENERGY STAR model



**GTN16BBX**  
GE 15.7 cu. ft. refrigerator

- Recessed handles—flush with the surface and ideal for tight spaces
- Adjustable wire shelves—moveable racks can handle a variety of foods
- **Upfront temperature controls—easy-to-use controls that regulate both fresh food and freezer sections**
- Gallon door storage—larger items are easily accommodated in the door
- Crisper drawers—provide the ideal environment for storing your fruits and vegetables

-  **GTN16BBXWW**  
ENERGY STAR model



ecomagination

All models



-  **GTR16BBSWW**  
Non-ENERGY STAR model

## Top-freezer refrigerators



### GTL12HBD

GE® 11.8 cu. ft. refrigerator

- Equipped for optional icemaker—easily accommodates the installation of an icemaker
- Adjustable wire shelves—moveable racks can handle a variety of foods
- Fixed door shelves—provide ideal storage right inside the door
- Clear crisper drawers—transparent drawers make finding your favorite snacks quick and easy
- In-the-door beverage rack—beverages are chilled and ready for easy access
- Wire freezer shelf—provides additional storage for frozen foods

**CS** GTL12HBDBS

GTR12HBDWW



### GTR10HAD

GE 9.6 cu. ft. refrigerator

- Adjustable wire shelves—moveable racks can handle a variety of foods
- Fixed door shelves—provide ideal storage right inside the door
- Clear crisper drawers—transparent drawers make finding your favorite snacks quick and easy
- In-the-door beverage rack—beverages are chilled and ready for easy access
- Wire freezer shelf—provides additional storage for frozen foods

GTR10HADWW

**CS** CleanSteel™    ○ White

## Compact refrigerators



### GMR06AAZ

#### GE Spacemaker® compact refrigerator

- 6.0 cu. ft. capacity
- Can rack
- Interior light
- Built-in capability
- Manual defrost
- 2 adjustable wire cabinet shelves
- Fresh food door shelves
- Ice 'N Easy trays



GMR06AAZWW



GMR06AAZBB\*



### GMR04HAS

#### GE Spacemaker compact refrigerator

- 4.3 cu. ft. capacity
- CleanSteel exterior
- Can rack
- Recessed handles
- Manual defrost
- 3 adjustable wire cabinet shelves
- Fresh food door shelves
- Ice 'N Easy trays



GMR04HASC



### GMR04BAN

#### GE Spacemaker compact refrigerator

- 4.3 cu. ft. capacity
- Can rack
- Recessed handles
- Manual defrost
- 3 adjustable wire cabinet shelves
- Fresh food door shelves
- Ice 'N Easy trays



GMR04BANWW



GMR04BANBB



### GMR02BAN

#### GE Spacemaker compact refrigerator

- 1.7 cu. ft. capacity
- Recessed handles
- Manual defrost
- Full-width wire cabinet shelf
- Fresh food door shelves
- Ice 'N Easy trays



GMR02BANWW

CS CleanSteel    ○ White    ● Black

\*Optional wood panel trim kit available.  
(Installation option and model number on page 218)

## Wine and beverage centers



### ZDWC240N GE Monogram® 5.3 cu. ft. wine chiller

- Adjustable temperature controls
- 57-bottle capacity
- 5 full-size/2 half-size full-extension racks
- Interior lighting with on/off switch
- Built-in or free-standing capability
- Stainless steel tubular handle
- Reversible door

 ZDWC240NBS



### PCR06WAT GE Profile™ 5.3 cu. ft. wine center

- Electromechanical temperature controls
- 57-bottle capacity
- 7 full-extension wine racks with beechwood drawer fronts
- Tinted glass door with stainless steel accents
- Contoured door design
- Built-in or free-standing capability
- Recessed handle
- Reversible door

 PCR06WATSS



### PWR04FAN GE Profile 4.3 cu. ft. wine center

- Electronic adjustable controls
- 29-bottle capacity
- 5 removable chrome shelves
- Clear glass door with stainless steel accents
- Interior light
- Lock
- Recessed handle
- Free-standing
- Reversible door

 PWR04FANBS

Discontinues June 2012



**ZDBC240N**  
**GE Monogram**  
 5.3 cu. ft.  
 beverage center

- Adjustable temperature controls
- 150-can capacity or 126-can and 12-bottle flexibility
- 2 full-extension half-shelves and 3 removable spillproof glass shelves
- Interior lighting with on/off switch
- Built-in or free-standing capability
- Stainless steel tubular handle
- Reversible door

 ZDBC240NBS



**PCR06BAT**  
**GE Profile**  
 5.3 cu. ft. wine or  
 beverage center

- Electromechanical temperature controls
- 150-can capacity or 126-can and 12-bottle flexibility
- 2 full-extension wine racks with beechwood drawer fronts and 3 spillproof glass shelves
- Tinted glass door with stainless steel accents
- Contoured door design
- Built-in or free-standing capability
- Recessed handle
- Reversible door

 PCR06BATSS



**GVS04BDW**  
 GE® 4.1 cu. ft. wine or  
 beverage center

- Upfront electronic controls
- 109-can/31-bottle capacity
- 3 adjustable full-depth and 2 half-depth wooden racks
- Glass door with silver accents
- Interior lighting
- Tubular handle
- Reversible door
- Free-standing

 GVS04BDWSS

# Upright freezers



## FUF21SV GE® frost-free upright freezer

- 20.6 cu. ft. capacity
- Electronic temperature controls
- Interior light
- Lock
- Slide-out bulk storage baskets
- **4 (2 adjustable) cabinet shelves**
- **6 door shelves**



## FUF17SV GE manual defrost upright freezer

- 16.7 cu. ft. capacity
- Electronic temperature controls
- Interior light
- Lock
- Slide-out bulk storage baskets
- **4 cabinet shelves**
- 5 door shelves



## FUF14DV GE frost-free upright freezer

- 13.7 cu. ft. capacity
- **ENERGY STAR® qualified**
- **Electronic temperature controls**
- Interior light
- Lock
- Slide-out bulk storage baskets
- 3 cabinet shelves
- 5 door shelves



**FUF14SV** (not shown)  
Non-ENERGY STAR model



## FUM21SV GE manual defrost upright freezer

- 20.6 cu. ft. capacity
- Adjustable temperature control
- Interior light
- Lock
- Slide-out bulk storage baskets
- **4 (1 adjustable) cabinet shelves**
- 5 door shelves
- 1 full-width tip-out bin
- Soft-freeze zone

**FUM14SV** (not shown)  
Similar to the FUM21SV with 14.1 cu. ft. capacity

- 3 cabinet shelves
- 5 door shelves

○ White

Complete features and specifications on page 219.



## Chest freezers



### FCM25SB

#### GE manual defrost chest freezer

- **24.9 cu. ft. capacity**
- Mechanical controls
- Upfront defrost water drain
- Lock
- Power "On" light
- Second-level rail
- True white interior light
- 5 lift-out and sliding bulk storage baskets



### FCM20SU

#### GE manual defrost chest freezer

- **19.7 cu. ft. capacity**
- Adjustable temperature controls
- Upfront defrost water drain
- Lock
- Power "On" light
- Second-level rail
- True white interior light
- **5 lift-out and sliding bulk storage baskets**



### FCM15PU

#### GE manual defrost chest freezer

- **14.8 cu. ft. capacity**
- **ENERGY STAR qualified**
- Adjustable temperature controls
- Upfront defrost water drain
- Lock
- Power "On" light
- Second-level rail
- True white interior light
- **4 lift-out and sliding bulk storage baskets**



### FCM15SU (not shown)

Non-ENERGY STAR model



### FCM9DT

#### GE manual defrost chest freezer

- **8.8 cu. ft. capacity**
- Adjustable temperature controls
- Upfront defrost water drain
- **Interior light**
- **Lock**
- 2 lift-out and sliding bulk storage baskets

### FCM7SU (not shown)

Similar to the FCM9DT with 7.0 cu. ft. capacity, no interior light, no lock

- Power "On" light

### FCM5SU (not shown)

Similar to the FCM9DT with 5.0 cu. ft. capacity

- 1 lift-out, sliding bulk storage basket

# BUILT-IN COOKING

Double ovens with the right combination of performance and power means great results the whole family will enjoy.



## Explore built-in double wall ovens



### Glass touch controls

Smooth controls are easy to use and add a sophisticated style to the kitchen.



### PreciseAir™ convection system

A reversing fan circulates heat and air for evenly browned and baked foods.



### Convection Bake

This setting is excellent for baking casseroles or lasagnas, yeast breads, pies and pizzas with no need to turn the pan.



### Double oven 8.8 cu. ft. total capacity

More room for cooking more dishes at once.



### Self-clean oven with hidden bake oven interior

Conveniently cleans the oven cavity without the need for scrubbing and the hidden bake element makes cleanup even easier.



### Oven meat probe

Meat probe connects to oven, displays the internal temperature of the meat and signals when it's done.



### Convection Roast

Optimal for larger cuts of meat, this setting rotates the heat around all sides, sealing in the juices, producing rotisserie results.



### Heavy-duty roller racks

Racks provide easy access to items inside the oven by simplifying loading and unloading.



### Black gloss oven interior

Oven interior is black to provide a clean look and add a bold touch to the kitchen.



### Auto Recipe™ conversion

Automatically converts standard recipe temperatures to proper convection settings, eliminating the guesswork.



### TrueTemp™ oven system

Provides even heat distribution and precise oven control.



### 3600-watt broil element

The 3600-watt broil element is 50% more powerful than before\* to help prepare great meals in less time.

\*Compared to PT916SMSS

## Built-in double wall ovens



**CT959**

### GE Café™ 30" double convection oven

- Glass touch controls—smooth design is easy to operate and easy to clean
- PreciseAir™ convection system (upper and lower oven)—accurate heat circulation ensures evenly baked foods
- Convection Bake (upper and lower oven)—optimal setting for baked goods and casseroles
- Convection Roast (upper and lower oven)—even roasting with rotisserie results
- Heavy-duty roller racks—provide easy access to oven interior
- Black gloss oven interior—black oven interior adds a stylish touch to any kitchen



CT959STSS



**PT960**

### GE Profile™ 30" double convection oven

- **Glass touch LCD controls—smooth design is easy to operate and easy to clean**
- Black gloss oven interior—black oven interior adds a stylish touch to any kitchen
- PreciseAir convection system (upper and lower oven)—accurate heat circulation ensures evenly baked foods
- Heavy-duty roller rack—provide easy access to oven interior
- Convection Bake (upper and lower oven)—optimal setting for baked goods and casseroles
- Convection Roast (upper and lower oven)—even roasting with rotisserie results
- Flat convection cover—convection fan system is only 1" deep
- Hidden bake oven interior—conceals the lower oven element to simplify cleaning
- Self-clean oven (upper and lower oven)—cleans the oven cavity without the need for scrubbing
- Double oven 8.8 cu. ft. total oven capacity (4.4 cu. ft. upper/4.4 cu. ft. lower)—more room for cooking more dishes at once



PT960SRSS



PT960DRBB



○ Stainless steel    ● Black on black

Complete features and specifications on pages 220–221 and 224–225 (PK956).

**Bold** = feature upgrade from previous model.



**PT958**

**GE Profile 30" double convection oven**

- Glass touch controls—smooth design is easy to operate and easy to clean
- Black gloss oven interior—black oven interior adds a stylish touch to any kitchen
- **PreciseAir convection system (upper and lower oven)—accurate heat circulation ensures evenly baked foods**
- Heavy-duty roller rack—provides easy access to oven interior
- Flat convection cover—convection fan system is only 1" deep
- **Convection Bake (upper and lower oven)—optimal setting for baked goods and casseroles**
- **Convection Roast (upper and lower oven)—even roasting with rotisserie results**
- Hidden bake oven interior—conceals the lower oven element to simplify cleaning
- Upfront halogen lights—powerful oven illumination
- Self-clean oven (upper and lower oven)—cleans the oven cavity without the need for scrubbing

 PT958SRSS

 PT958DRBB



**PT956**

**GE Profile 30" double oven with convection**

- Glass touch controls—smooth design is easy to operate and easy to clean
- **Black gloss oven interior—black oven interior adds a stylish touch to any kitchen**
- PreciseAir convection system (upper oven only)—accurate heat circulation ensures evenly baked foods
- **Heavy-duty roller rack—provides easy access to oven interior**
- Flat convection cover—convection fan system is only 1" deep
- **Convection Bake (upper oven only)—optimal setting for baked goods and casseroles**
- **Convection Roast (upper oven only)—even roasting with rotisserie results**
- Hidden bake oven interior—conceals the lower oven element to simplify cleaning

 PT956SRSS

 PT956DRCC

 PT956DRWW

 PT956DRBB



**PK956** (not shown)

**GE Profile 27" double oven with convection**

Similar to the PT956, except 27" wide.

 PK956SRSS

 PK956DRCC

 PK956DRWW

 PK956DRBB



## Built-in double wall ovens



### JTP75

#### GE® 30" double oven with convection

- PreciseAir™ convection system (upper oven only)—accurate heat circulation ensures evenly baked foods
- Glass touch controls—smooth design is easy to operate and easy to clean
- Convection Bake (upper oven only)—optimal setting for baked goods and casseroles
- Convection Roast (upper oven only)—even roasting with rotisserie results
- Flat convection cover—convection fan system is only 1" deep
- Hidden bake oven interior—conceals the lower oven element to simplify cleaning
- Self-clean oven (upper and lower oven)—cleans the oven cavity without the need for scrubbing
- Heavy-duty oven racks—thicker racks offer additional strength



JTP75SPSS



JTP75DPBB



JTP75DPWW



### JKP75 (not shown)

#### GE 27" double oven with convection

Similar to the JTP75, except 27" wide.



JKP75SPSS



JKP75DPBB



JKP75DPWW



### JTP55

#### GE 30" double oven

- Double oven 8.8 cu. ft. total oven capacity (4.4 cu. ft. upper/ 4.4 cu. ft. lower)—more room for cooking more dishes at once
- Self-clean oven (upper and lower oven)—cleans the oven cavity without the need for scrubbing
- TrueTemp™ oven system (upper and lower oven)—even heat distribution and maximum oven control
- Interior oven light—illuminates the oven interior
- Eight-pass bake element—powerful heating element delivers fast response and superior heat distribution
- Hidden bake oven interior—conceals the lower oven element to simplify cleaning



JTP55SPSS



JTP55DPBB



JTP55DPWW



### JKP55 (not shown)

#### GE 27" double oven

Similar to the JTP55, except 27" wide.



JKP55SPSS



JKP55DPCC



JKP55DPWW



JKP55DPBB



Stainless steel
 White on white
 Bisque on bisque
 Black on black

Complete features and specifications on pages 220–221 and 224–225.

**Bold** = feature upgrade from previous model.



**JTP35**  
GE 30" double oven

- Self-clean oven (upper oven only)—cleans the oven cavity without the need for scrubbing
- **Double oven 8.8 cu. ft. total oven capacity (4.4 cu. ft. upper/4.4 cu. ft. lower)—more room for cooking more dishes at once**
- Electronic oven controls—electronic touch pads are easy to operate
- TrueTemp oven system (upper oven only)—even heat distribution and maximum oven control
- Interior oven light—illuminates the oven interior
- Eight-pass bake element—powerful heating element delivers fast response and superior heat distribution
- Hidden bake oven interior—conceals the lower oven element to simplify cleaning

- JTP35SPSS      ● JTP35DPBB
- JTP35DPWW



**JKP35** (not shown)  
GE 27" double oven

Similar to the JTP35, except 27" wide.

- JKP35SPSS      ● JKP35DPBB
- JKP35DPWW



**PT970**  
GE Profile™ 30" combination double oven with convection

- **Black gloss oven interior (lower oven only)—black oven interior adds a stylish touch to any kitchen**
- **PreciseAir convection system—accurate heat circulation ensures evenly baked foods**
- **Convection Bake—optimal setting for baked goods and casseroles**
- **Convection Roast—even roasting with rotisserie results**
- 4.4 cu. ft. oven capacity (lower oven only)—enough room to cook an entire meal at once
- Self-clean oven (lower oven only)—cleans the oven cavity without the need for scrubbing
- Electronic oven controls—electronic touch pads are easy to operate
- 1.6 cu. ft. microwave—the spacious-capacity microwave oven features built-in sensor controls
- Turntable (upper oven only)—rotates food throughout the cooking cycle for even cooking results
- Hidden bake oven interior—conceals the lower oven element to simplify cleaning

- PT970SRSS
- PT970DRWW
- PT970DRBB



## Built-in double ovens



### JTP90

#### GE® 30" combination double oven

- Self-clean oven (lower oven only)—cleans the oven cavity without the need for scrubbing
- 4.4 cu. ft. oven capacity—enough room to cook an entire meal at once
- Electronic oven controls—electronic touch pads are easy to operate
- TrueTemp™ oven system (lower oven only)—even heat distribution and maximum oven control
- **1.6 cu. ft. microwave—the spacious-capacity microwave oven features built-in sensor controls**
- **Sensor cooking controls (upper oven only)—provide a built-in sensor in the upper microwave that automatically calculates and adjusts cooking times and power levels for favorite foods**
- Turntable (upper oven only)—rotates food throughout the cooking cycle for even cooking results



JTP90SPSS



JTP90DPBB



JTP90DPWW



### JKP90 (not shown)

#### GE 27" combination double oven

Similar to the JTP90, except 27" wide.



JKP90SPSS



JKP90DPBB



JKP90DPWW





## Built-in single-double oven



### PT925

#### GE Profile™ 30" single-double wall oven with convection

- Glass touch controls—smooth design is easy to operate and easy to clean
- Self-clean oven (upper and lower oven)—cleans the oven cavity without the need for scrubbing
- PreciseAir™ convection system (lower oven only)—accurate heat circulation ensures evenly baked foods
- Flat convection cover—convection fan system is only 1" deep
- Self-clean heavy-duty oven racks—double-coated racks can stay in the oven during the self-clean cycle
- Dual interior lighting—illuminates the oven interior

 PT925SNSS

 PT925DNBB



## Built-in single ovens



### CT918

#### GE Café™ 30" single convection oven

- Glass touch controls—smooth design is easy to operate and easy to clean
- PreciseAir convection system—accurate heat circulation ensures evenly baked foods
- Convection Bake—optimal setting for baked goods and casseroles
- Convection Roast—even roasting with rotisserie results
- Heavy-duty roller rack—provides easy access to oven interior
- Hidden bake oven interior—conceals the lower oven element to simplify cleaning
- Black gloss oven interior—black oven interior adds a stylish touch to any kitchen

 CT918STSS



 Stainless steel  Black on black

## Built-in single ovens



### PT920

#### GE Profile™ 30" single convection oven

- Glass touch LCD controls—smooth design is easy to operate and easy to clean
- Black gloss oven interior—black oven interior adds a stylish touch to any kitchen
- PreciseAir™ convection system—accurate heat circulation ensures evenly baked foods
- Heavy-duty roller rack—provides easy access to oven interior
- Convection Bake—optimal setting for baked goods and casseroles
- Convection Roast—even roasting with rotisserie results
- Flat convection cover—convection fan system is only 1" deep
- Hidden bake oven interior—conceals the lower oven element to simplify cleaning
- Self-clean oven—cleans the oven cavity without the need for scrubbing
- Dual interior lighting—illuminates the oven interior

- PT920SRSS
- PT920DRBB



### PT916

#### GE Profile 30" single convection oven

- Glass touch controls—smooth design is easy to operate and easy to clean
- Black gloss oven interior—black oven interior adds a stylish touch to any kitchen
- PreciseAir convection system—accurate heat circulation ensures evenly baked foods
- Heavy-duty roller rack—provides easy access to oven interior
- Flat convection cover—convection fan system is only 1" deep
- Hidden bake oven interior—conceals the lower oven element to simplify cleaning
- Convection Bake—optimal setting for baked goods and casseroles
- Convection Roast—even roasting with rotisserie results

- PT916SRSS
- PT916DRCC
- PT916DRWW
- PT916DRBB



### PK916 (not shown)

#### GE Profile 27" single convection oven

Similar to the PT916, except 27" wide.

- PK916SRSS
- PK916DRCC
- PK916DRWW
- PK916DRBB



○ Stainless steel   ○ White on white   ○ Bisque on bisque   ● Black on black

Complete features and specifications on pages 222-223 and 226-227.

**Bold** = feature upgrade from previous model.

\*See page 198 for ADA requirements.



**PT900**

**GE Profile 30" single oven**

- Glass touch controls—smooth design is easy to operate and easy to clean
- **Black gloss oven interior**—black oven interior adds a stylish touch to any kitchen
- Hidden bake oven interior—conceals the lower oven element to simplify cleaning
- Heavy-duty oven racks—thicker racks offer additional strength
- Self-clean oven—cleans the oven cavity without the need for scrubbing
- 4.4 cu. ft. oven capacity—enough room to cook an entire meal at once
- Dual interior lighting—illuminates the oven interior

- PT900SRSS
- PT900DRBB



**JTP70**

**GE® 30" single convection oven**

- **PreciseAir convection system**—accurate heat circulation ensures evenly baked foods
- Glass touch controls—smooth design is easy to operate and easy to clean
- **Convection Bake**—optimal setting for baked goods and casseroles
- **Convection Roast**—even roasting with rotisserie results
- **Flat convection cover**—convection fan system is only 1" deep
- Hidden bake oven interior—conceals the lower oven element to simplify cleaning
- Heavy-duty oven racks—thicker racks offer additional strength

- JTP70SPSS
- JTP70DPWW
- JTP70DPBB



**JKP70 (not shown)**

**GE 27" single convection oven**

Similar to the JTP70, except 27" wide.

- JKP70SPSS
- JKP70DPWW
- JKP70DPBB



## Built-in single ovens



### JTP30

#### GE® 30" single oven

- **Self-clean oven**—cleans the oven cavity without the need for scrubbing
- 4.4 cu. ft. oven capacity—enough room to cook an entire meal at once
- Electronic oven controls—electronic touch pads are easy to operate
- **TrueTemp™ oven system**—even heat distribution and maximum oven control
- Hidden bake oven interior—conceals the lower oven element to simplify cleaning



### JTP31

#### GE 30" single oven

Similar to the JTP30SPSS, except black control panel overlay.



### JKP30 (not shown)

#### GE 27" single oven

Similar to the JTP30, except 27" wide.



### JTS10

#### GE 30" single oven

- Standard-clean oven—smooth surface makes cleaning by hand easier
- 4.4 cu. ft. oven capacity—enough room to cook an entire meal at once
- Electronic oven controls—electronic touch pads are easy to operate
- Interior oven light—illuminates the oven interior
- **Hidden bake oven interior**—conceals the lower oven element to simplify cleaning
- **Heavy-duty oven racks**—thicker racks offer additional strength
- Variable broil—broil settings provide added flexibility
- Certified Sabbath mode—prepared foods can stay warm in accordance with kosher restrictions



### JKS10 (not shown)

#### GE 27" single oven

Similar to the JTS10, except 27" wide.



Complete features and specifications on pages 222–227.  
**Bold** = feature upgrade from previous model.

\*See page 198 for ADA requirements.

## Built-in 24" ovens



### JRP28 GE 24" double oven

- Self-clean oven (upper oven only)—cleans the oven cavity without the need for scrubbing
- Electronic oven controls—electronic touch pads are easy to operate
- ClearView™ windows—clear windows make monitoring food simple
- Interior oven light—illuminates the oven interior
- Two oven racks (upper and lower oven)—durable to securely hold any cookware
- Multiple oven rack positions—increase cooking flexibility and maximize oven capacity

 JRP28SKSS

 JRP28BJBB



### JRP20 (not shown) GE 24" single oven

Similar to the JRP28, except a single oven.

 JRP20SKSS

 JRP20WJWW

 JRP20BJBB



### JRS06 GE 24" single oven

- Electronic oven controls—electronic touch pads are easy to operate
- ClearView window—clear window makes monitoring food simple
- Interior oven light—illuminates the oven interior
- Two oven racks—durable to securely hold any cookware
- Multiple oven rack positions—increase cooking flexibility and maximize oven capacity
- Frameless glass oven door—simple, stylish and easy to clean
- Audible preheat signals—convenient signal alerts when the oven reaches the desired temperature

 JRS06SKSS

 JRS06BJBB



### JGRP20 GE 24" gas single oven

- Self-clean oven—cleans the oven cavity without the need for scrubbing
- Electronic oven controls—electronic touch pads are easy to operate
- ClearView window—clear window makes monitoring food simple
- Interior oven light—illuminates the oven interior
- Two oven racks—durable to securely hold any cookware
- Multiple oven rack positions—increase cooking flexibility and maximize oven capacity

 JGRP20SENS

 JGRP20WEJWW

 JGRP20BEJBB



### JGRS06 (not shown) GE 24" gas single oven

Similar to the JGRP20, except standard-clean oven.

 JGRS06BEJBB



## Built-in warming drawers



### PTD915

#### GE Profile™ 30" warming drawer

- Variable temperature control—provides a variety of temperatures
- Variable humidity control—customized warming from crisp to moist
- Frameless drawer front—offers a smooth appearance
- "On" indicator light—illuminates when warming drawer is operating
- Half rack—maximizes drawer space

 PTD915SMSS

 PTD915BM8B



### PKD915 (not shown)

#### GE Profile 27" warming drawer

Similar to the PTD915, except 27" wide.

 PKD915SMSS



### ZXD30B/ZXD27B

#### Custom panel kit

- Allows installation of a custom panel on the warming drawer for a built-in appearance
- ZXD30B is an optional accessory for use with 30" warming drawer PTD915
- ZXD27B is an optional accessory for use with 27" warming drawer PKD915

# ELECTRIC COOKTOPS

A cooktop with multiple cooking options means the power to create meals in minutes.



Model shown: PHP960

Refrigeration

Warming drawers/  
Electric cooktops

Microwave ovens

Dishwashers

Clothes care

Water heaters

Air conditioning



### 19 power levels

Choose from 19 different power levels to select the temperature that is perfect for your meal.



### Power Boost

Offers powerful cooking capabilities on all elements to boost power by 20% to 30%.



### Pan detect

Only heats the area of the element that comes in contact with the pan.



### Control lock capability

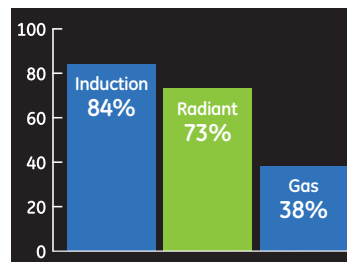
Provides the ability to lock the cooktop's controls, helping protect from unintended activation.



### 11" induction element

The 3700-watt induction element is our most powerful element available.

Scan this code with your QR reader to learn how induction makes cooking fast and efficient.



### Induction technology

Induction cooking delivers 84%† of the total energy produced directly to food, while just 16% is released as heat into the kitchen. As a result, induction technology is more than two times as efficient as gas.

†Testing done using water. Total energy delivered to water, divided by total energy delivered to the cooktop, using 6 qts. water.

Not all features available on all models.

## Built-in induction cooktops



### PHP960

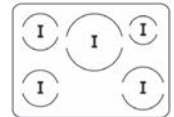
#### GE Profile™ 36" induction cooktop

- Induction elements—fast, efficient cooking
- 11" induction element (3700-watts on HIGH setting)—our most powerful element available!
- Electronic touch controls—provide a flat and smooth, easy-to-clean surface
- 19 control settings—ensure precise temperature control
- Pan presence sensor—shuts the element off when not in use
- Pan size sensor—adjusts heating element automatically to fit pan
- Control lock capability—protects against unintended activation
- 8" element—provides 2000 watts of cooking power\*\*
- Electronic kitchen timer—helpful reminder for meal preparation

 PHP960SMSS

 PHP960DMBB

**ADA**  
compliant



### PHP900

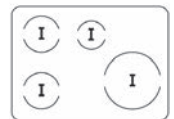
#### GE Profile 30" induction cooktop

- Induction elements—fast, efficient cooking
- 11" induction element (3700-watts on HIGH setting)—our most powerful element available!
- Electronic touch controls—provide a flat and smooth, easy-to-clean surface
- 19 control settings—ensure precise temperature control
- Pan presence sensor—shuts the element off when not in use
- Pan size sensor—adjusts heating element automatically to fit pan
- Control lock capability—protects against unintended activation
- Electronic kitchen timer—helpful reminder for meal preparation

 PHP900SMSS

 PHP900DMBB

**ADA**  
compliant



 Stainless steel     Black on black

Complete features and specifications on pages 229–230.  
**Bold** = feature upgrade from previous model.

\*See page 198 for ADA requirements.

\*\*Highest wattage available using power share. Consult use and care manual for more information on power share.



# Built-in electric cooktops

Refrigeration

Induction cooktops/  
Electric cooktops/

Microwave ovens

Dishwashers

Clothes care

Water heaters

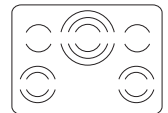
Air conditioning



## CP650

### GE Café 36" electric CleanDesign™ cooktop

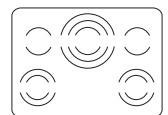
- Ceramic-glass cooktop—cleanup is quick and easy
- 6"/9"/12" tri-ring element—three heating elements in one offer flexibility
- 5"/8" dual element—two elements in one offer flexibility
- Fifth element warming zone—provides low-heat capability for food
- Heavy-duty knobs—enhanced durability and style
- Stainless steel frame—complements all other stainless steel appliances in the kitchen



## PP975

### GE Profile 36" electronic touch control cooktop

- **Electronic touch controls—provide a flat, smooth, easy-to-clean surface**
- Ceramic-glass cooktop—cleanup is quick and easy
- Ribbon heating elements—consistent heat and glass surface provide fast, even heating
- **5"/8" PowerBoil™ element—produces rapid, powerful heat**
- 5"/8" dual element—two elements in one offer flexibility
- Control lock capability—protects against unintended activation
- Upfront controls—controls are within easy reach
- Stainless steel frame on stainless steel model—complements all other stainless steel appliances in the kitchen



## Built-in electric cooktops



### PP962

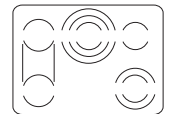
#### GE Profile 36" electric CleanDesign™ cooktop

- Ceramic-glass cooktop—cleanup is quick and easy
- Ribbon heating elements—consistent heat and glass surface provide fast, even heating
- **6"/9"/12" tri-ring element—three heating elements in one offer flexibility**
- 5/8" dual element—two heating elements in one offer flexibility
- **Bridge element—combines cooking elements into one cooking area**
- **Heavy-duty knobs on stainless steel models—enhanced durability and style**
- Stainless steel frame on stainless steel models—complements all other stainless steel appliances in the kitchen

 PP962SMSS

 PP962TMWW True white

 PP962BMBB

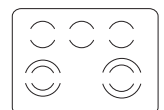





### CP350

#### GE Café™ 30" electric CleanDesign cooktop

- Ceramic-glass cooktop—cleanup is quick and easy
- **6"/9" PowerBoil™ element—produces rapid, powerful heat**
- 5/8" dual element—two heating elements in one offer flexibility
- **Fifth element cook and warming zone—keeps food warm and boils water in minutes**
- Heavy-duty knobs—enhanced durability and style
- Stainless steel frame—complements all other stainless steel appliances in the kitchen

 CP350STSS



 Stainless steel  True white  Black on black

Complete features and specifications on pages 229–230.  
**Bold** = feature upgrade from previous model.

\*See page 198 for ADA requirements.



**PP945**

**GE Profile™ 30" electric touch control cooktop**

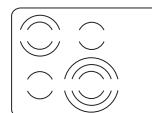
- Electronic touch controls—provide a flat and smooth, easy-to-clean surface
- Precise Digital Control System™—delivers accurate cooktop control
- Ribbon heating elements—consistent heat and a glass surface provide fast, even heating
- 6"/9"/12" tri-ring element—three heating elements in one offer flexibility
- 5"/8" PowerBoil element—produces rapid, powerful heat
- Stainless steel frame on stainless steel model—complements all other stainless steel appliances in the kitchen
- Control lock capability—protects against unintended activation

 PP945SMSS



 PP945WMWW

 PP945BMBB



**PP944**

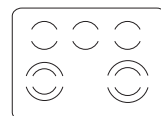
**GE Profile 30" electric CleanDesign cooktop**

- Ceramic-glass cooktop—cleanup is quick and easy
- Ribbon heating elements—consistent heat and glass surface provide fast, even heating
- 6"/9" PowerBoil element—produces rapid, powerful heat
- 5"/8" dual element—two heating elements in one offer flexibility
- Fifth element cook and warming zone—keeps food warm and boils water in minutes

 PP944STSS

 PP944TTWW True white

 PP944DTBB



 Stainless steel  White on white  True white  Black on black

# Built-in electric cooktops

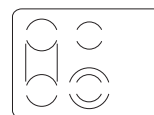


## PP932

### GE Profile 30" electric CleanDesign™ cooktop

- Ceramic-glass cooktop—cleanup is quick and easy
- Ribbon heating elements—consistent heat and glass surface provide fast, even heating
- 6"/9" PowerBoil™ element—produces rapid, powerful heat
- Bridge element—combines cooking elements into one cooking area
- Heavy-duty knobs on stainless steel models—enhanced durability and style
- Control lock capability—protects against unintended activation
- Stainless steel frame on stainless steel model—complements all other stainless steel appliances in the kitchen

- PP932SMSS
- PP932BMBB

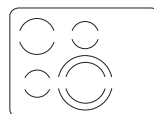


## PP912

### GE Profile™ 30" electric CleanDesign cooktop

- Ceramic-glass cooktop—cleanup is quick and easy
- Ribbon heating elements—consistent heat and a glass surface provide fast, even heating
- 9"/12" dual element—two heating elements in one offer flexibility
- 8" PowerBoil element—2,500-watts produce quick, vigorous heat
- Stainless steel frame on stainless steel model—complements all other stainless steel appliances in the kitchen
- Frameless design—a smooth and seamless cooktop surface makes cleaning quick and easy
- **Heavy-duty knobs on stainless steel models—enhanced durability and style**

- PP912SMSS
- PP912TMWW True white
- PP912KMCC True bisque
- PP912BMBB

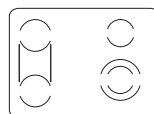


## PP989

### GE Profile 30" electric downdraft cooktop

- **Downdraft exhaust—powerful exhaust system effectively pulls smoke and steam out of the kitchen**
- Ceramic-glass cooktop—cleanup is quick and easy
- Ribbon heating elements—consistent heat and glass surface provide fast, even heating
- Bridge element—combines cooking elements into one cooking area
- 6"/9" PowerBoil element—produces rapid, powerful heat

- PP989SNSS
- PP989TNWW True white
- PP989DNBB



● Stainless steel   ● True white   ● True bisque   ● Black on black

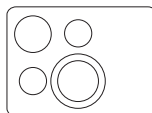
Complete features and specifications on pages 229–231.  
**Bold** = feature upgrade from previous model.



**JP356**  
GE® 30" electric CleanDesign cooktop

- Ceramic-glass cooktop—cleanup is quick and easy
- Ribbon heating elements—consistent heat and a glass surface provide fast, even heating
- **9"/12" dual element—two heating elements in one offer flexibility**
- 8" PowerBoil element—2,500-watts produce quick, vigorous heat
- Heavy-duty knobs on stainless steel models—enhanced durability and style
- Stainless steel frame on stainless steel model—complements all other stainless steel appliances in the kitchen

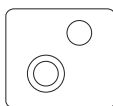
- JP356SMSS
- JP356WMWW
- JP356BMBB



**JP256**  
GE 21" electric CleanDesign cooktop

- Compact cooktop—21" cooktop for specialty installations
- Ceramic-glass cooktop—cleanup is quick and easy
- Ribbon heating elements—consistent heat and a glass surface provide fast, even heating
- **6"/9" dual element—two heating elements in one offer flexibility**

- JP256WMWW
- JP256BMBB



- Stainless steel
- White on white
- Black on black



**JP626**  
GE 36" electric coil cooktop

- Coil heating elements—provide even heat and easy cleanup
- Removable drip bowls—removable for easy cleaning
- **Lift-up cooktop with support rod—access messes under the cooktop for easy cleanability**
- Upfront controls—controls are within easy reach
- Heating element "On" light—know when an element is on

- JP626WKWW
- JP626BKBB

**JP328** (shown below)  
GE 30" electric coil cooktop

Similar to the JP626, except 30" wide.

- JP328SKSS
- JP328WKWW
- JP328CKCC
- JP328BKBB



**JP201/202**  
GE 21" electric coil cooktop

- Compact cooktop—21" cooktop for specialty installations
- Coil heating elements—provide even heat and easy cleanup
- Removable drip bowls—removable for easy cleaning
- Heating element "On" light—know when an element is on

- JP201CBSS
- JP202DWW

- Stainless steel
- White on white
- Bisque on bisque
- Black on black

# BUILT-IN GAS COOKTOPS

A cooktop this powerful means rapid boiling, sautéing and gentle simmers at your fingertips.



Model shown: CGP650



**20,000 BTU tri-ring burner**  
Three-in-one burner is designed for accelerated boiling and gentle simmering.



**Control lock capability**  
Provides the ability to lock the cooktop's controls, helping protect from unintended activation.



**Integrated griddle**  
The cast-iron griddle is interchangeable with grates for a convenient cooking surface.



**Sealed cooktop burners**  
Burner elements are sealed to the cooktop to keep foods and liquid contained on the cooktop, making cleaning painless.



**LED backlit knobs**  
Sleek knobs are backlit with LED lights to indicate when burners are on so you don't forget.



**Precise Simmer burner**  
Delivers a low setting of 140°, ideal for delicate foods and sauces.

# Built-in gas cooktops



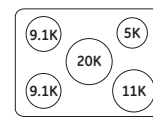
## CGP650

### GE Café™ 36" deep-recessed gas cooktop

- Deep-recessed cooktop—contains spills in one area for easy cleaning
- Sealed cooktop burners—keep spillover contained on cooktop, making cleaning quick and easy
- 20,000 BTU tri-ring burner—offers the flexibility of three different burners
- Integrated griddle—interchangeable with left-side grates for instant cook space
- Precise Simmer burner—delivers a low setting of 140°
- Blue LED backlit knobs—indicate when burners are on so you don't forget



Griddle accessory included



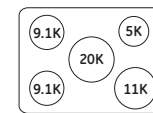
## PGP986

### GE Profile™ 36" deep-recessed gas cooktop

- Deep-recessed cooktop—contains spills in one area for easy cleaning
- Sealed cooktop burners—keep spillovers contained on cooktop, making cleaning quick and easy
- 20,000 BTU tri-ring burner—offers the flexibility of three different burners
- Integrated griddle—interchangeable with left-side grates for instant cook space
- Precise Simmer burner—delivers a low setting of 140°
- White LED backlit knobs—indicate when burners are on so you don't forget
- Control lock capability—protects against unintended activation



Griddle accessory included



○ Stainless steel

Complete features and specifications on page 232.

**Bold** = feature upgrade from previous model.

\*See page 198 for ADA requirements.

## Built-in gas cooktops



### PGP976

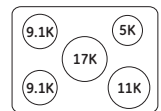
#### GE Profile™ 36" deep-recessed gas cooktop

- Deep-recessed cooktop—contains spills in one area for easy cleaning
- Sealed cooktop burners—keep spillovers contained on cooktop, making cleaning quick and easy
- **17,000 BTU PowerBoil™ burner—delivers intense heat for faster boiling**
- Precise Simmer burner—delivers a low setting of 140°
- **White LED backlit knobs—indicate when burners are on so you don't forget**
- Control lock capability—protects against unintended activation
- Matte black heavy-cast grates—premium cast iron offers superior performance

 PGP976SETSS

 PGP976DETWW

 PGP976DETB




### JGP970

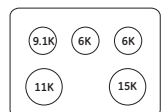
#### GE Profile 36" gas-on-glass cooktop

- **Gas-on-glass cooktop—sleek and easy to clean**
- Sealed cooktop burners—keep spillovers contained on cooktop, making cleaning quick and easy
- 15,000 BTU PowerBoil burner—produces fast, intense heat
- Precise Simmer burner—delivers a low setting of 140°
- Continuous grates—allow for easy movement of pans between burners
- **Control lock capability—protects against unintended activation**
- Dishwasher-safe grates and knobs—safe to clean in the dishwasher
- Heavy-duty knobs on stainless steel model—enhanced durability and style

 JGP970SEKSS

 JGP970TEKWW  
True white

 JGP970BEKBB



 Stainless steel  Stainless steel  True white  White on white  Black on black

Complete features and specifications on pages 232–233.

**Bold** = feature upgrade from previous model.

\*See page 198 for ADA requirements.



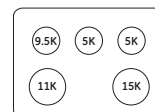


**PGP966**

**GE Profile 36" deep-recessed gas cooktop**

- Deep-recessed cooktop—contains spills in one area for easy cleaning
- Sealed cooktop burners—keep spillovers contained on cooktop, making cleaning quick and easy
- **15,000 BTU PowerBoil burner—produces fast, intense heat**
- Precise Simmer burner—delivers a low setting of 140°
- **Deluxe cast grates—durable, premium cast iron offers lasting performance**
- Dishwasher-safe grates and knobs—safe to clean in the dishwasher

- PGP966SETSS
- PGP966DETBB

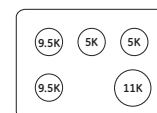


**JGP633**

**GE® 36" deep-recessed gas cooktop**

- Deep-recessed cooktop—contains spills in one area for easy cleaning
- Sealed cooktop burners—keep spillovers contained on cooktop, making cleaning quick and easy
- 11,000 BTU all-purpose burner—delivers a wide range of heat output for most cooking needs
- Precise Simmer burner—delivers a low setting of 140°
- Matte black medium-cast grates—hold cookware securely over burners
- Dishwasher-safe grates and knobs—safe to clean in the dishwasher

- JGP633SETSS
- JGP633DETWW
- JGP633DETBB



○ Stainless steel    ○ White on white    ● Black on black

# Built-in gas cooktops



## CGP350

### GE Café™ 30" deep-recessed gas cooktop

- Deep-recessed cooktop—contains spills in one area for easy cleaning
- Sealed cooktop burners—keep spillovers contained on cooktop, making cleaning quick and easy
- 20,000 BTU tri-ring burner—offers the flexibility of three different burners
- Integrated griddle—interchangeable with left-side grates for instant cook space
- Precise Simmer burner—delivers a low setting of 140°
- **Blue LED backlit knobs—indicate when burners are on so you don't forget**
- Control lock capability—protects against unintended activation

CGP350SETSS

ADA\* compliant



Griddle accessory included



## PGP959

### GE Profile™ 30" deep-recessed gas cooktop

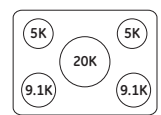
- Deep-recessed cooktop—contains spills in one area for easy cleaning
- Sealed cooktop burners—keep spillovers contained on cooktop, making cleaning quick and easy
- **20,000 BTU tri-ring burner—offers the flexibility of three different burners**
- Precise Simmer burner—delivers a low setting of 140°
- **White LED backlit knobs—indicate when burners are on so you don't forget**
- Control lock capability—protects against unintended activation

PGP959SETSS

ADA\* compliant



Griddle accessory included



Stainless steel

Complete features and specifications on page 232.

**Bold** = feature upgrade from previous model.

\*See page 198 for ADA requirements.

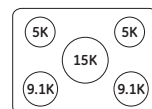


**PGP953**

**GE Profile 30" deep-recessed gas cooktop**

- Deep-recessed cooktop—contains spills in one area for easy cleaning
- Sealed cooktop burners—keep spillovers contained on cooktop, making cleaning quick and easy
- 15,000 BTU PowerBoil™ burner—produces fast, intense heat
- Precise Simmer burner—delivers a low setting of 140°
- **White LED backlit knobs—indicate when burners are on so you don't forget**
- Control lock capability—protects against unintended activation

-  PGP953SETSS
-  PGP953DETWW
-  PGP953DETBB



**JGP940**

**GE Profile 30" gas-on-glass cooktop**

- Gas-on-glass cooktop—sleek and easy to clean
- Sealed cooktop burners—keep spillovers contained on cooktop, making cleaning quick and easy
- 15,000 BTU PowerBoil burner—produces fast, intense heat
- Precise Simmer burner—delivers a low setting of 140°
- Continuous grates—allow for easy movement of pans between burners
- **Control lock capability—protects against unintended activation**
- Dishwasher-safe grates and knobs—safe to clean in the dishwasher
- Heavy-duty knobs on stainless steel model—enhanced durability and style

-  JGP940SEKSS
-  JGP940TEKWW  
True white
-  JGP940BEKBB



## Built-in gas cooktops



### PGP943

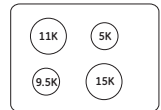
#### GE Profile™ 30" deep-recessed gas cooktop

- Deep-recessed cooktop—contains spills in one area for easy cleaning
- Sealed cooktop burners—keep spillovers contained on cooktop, making cleaning quick and easy
- 15,000 BTU PowerBoil™ burner—produces fast, intense heat
- Precise Simmer burner—delivers a low setting of 140°
- **Deluxe cast grates—durable cast iron offers lasting performance**
- Dishwasher-safe grates and knobs—safe to clean in the dishwasher

 PGP943SETSS

 PGP943DETBB

ADA  
compliant



### JGP333

#### GE® 30" deep-recessed gas cooktop

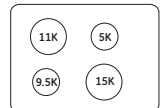
- Deep-recessed cooktop—contains spills in one area for easy cleaning
- Sealed cooktop burners—keep spillovers contained on cooktop, making cleaning quick and easy
- **15,000 BTU PowerBoil burner—produces fast, intense heat**
- Precise Simmer burner—delivers a low setting of 140°
- Matte black medium-cast grates—hold cookware securely over burners
- Dishwasher-safe grates and knobs—safe to clean in the dishwasher

 JGP333SETSS

 JGP333DETWW

 JGP333DETBB

ADA  
compliant



### JGP329

#### GE 30" deep-recessed gas cooktop

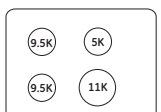
- Deep-recessed cooktop—contains spills in one area for easy cleaning
- Sealed cooktop burners—keep spillovers contained on cooktop, making cleaning quick and easy
- 11,000 BTU all-purpose burner—delivers a wide range of heat output for most cooking needs
- Precise Simmer burner—delivers a low setting of 140°
- Matte black medium-cast grates—hold cookware securely over burners
- Dishwasher-safe grates and knobs—safe to clean in the dishwasher

 JGP329SETSS

 JGP329DETWW

 JGP329DETBB

ADA  
compliant



 Stainless steel  White on white  Black on black

Complete features and specifications on pages 232-234.

**Bold** = feature upgrade from previous model.




\*See page 198 for ADA requirements.



**PGP989**

**GE Profile 30" gas downdraft cooktop**

- Downdraft exhaust—exhaust system effectively pulls smoke and steam out of the kitchen
- Gas-on-glass cooktop—sleek and extremely easy to clean
- Sealed cooktop burners—keep spillovers contained on cooktop, making cleaning quick and easy
- Continuous grates—allow for easy movement of pans between burners
- Dishwasher-safe grates and knobs—safe to clean in the dishwasher

-  PGP989SNSS
-  PGP989TNWW  
True white
-  PGP989DNBB



**PGP990**

**GE Profile 30" single modular gas downdraft cooktop**

- Modular cooktop options—accepts optional Select-Top™ modules (left bay)
- Two-burner gas module—shipped with unit (right bay), offers multiple temperature settings
- **Downdraft exhaust—exhaust system effectively pulls smoke and steam out of the kitchen**
- Sealed cooktop burners—keep spillovers contained on cooktop, making cleaning quick and easy

-  PGP990SENS
-  PGP990DENWW
-  PGP990DENBB



Left module sold separately

**Optional Select-Top modules** (available at additional cost)



**Grill module**  
Front- and rear-controlled heating element for more cooking flexibility and energy savings. One-piece grill grate is non-stick coated.



**Two-burner gas module**  
Two sealed gas burners offer a range of temperature settings for cooking versatility.



**Griddle**  
(For use with optional grill module). Place over heating element and reflector pan for optional grill module. Griddle accessory has a non-stick coating and is self-draining.

Optional modules	Models	
	PGP990SEN	PGP990DEN
Grill module	JXGG90L	JXGG90L
Two-burner gas module	JXGB90S	JXGB90W/ JXGB90B
Griddle module	JXGL90L	JXGL90L

# SLIDE-IN RANGES

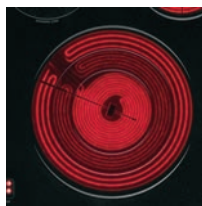
A range with versatile cooking options means it's all you need to make all you can eat.



Model shown: PS978



**6.6 cu. ft. total oven capacity**  
Large capacity is ideal for big meals.  
(PS978 only)



**6"/9"/12" tri-ring element**  
Three heating elements in one allow you to choose either a 6", 9" or 12" element for your cookware.



**PreciseAir™ convection system**  
A reversing fan circulates heat and air for evenly browned and baked foods.



**Induction technology**  
This innovative technology combines the responsiveness of a gas cooktop with the peace of mind of a cooler cooking surface. (PHS925 only)



**NextStep controls**  
Knob-free controls illuminate to lead you through the control-setting process.



**Warming drawer**  
The convenient drawer keeps foods warm and ready to serve and helps makes meal coordination easier. (PHS925 only)

# Slide-in electric ranges

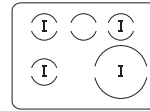


## PHS925

### GE Profile™ 30" induction range with warming drawer

- 5.3 cu. ft. oven capacity—enough room to cook an entire meal at once
- **Induction cooktop technology**—innovative, fast, efficient cooking
- PreciseAir convection system—accurate heat circulation ensures evenly baked foods
- NextStep controls—illuminating controls simplify display operation
- Heavy-duty roller rack—provides easy access to oven interior
- Fifth element warming zone—provides low-heat capability for foods on the cooktop
- Hidden bake oven interior—conceals the lower oven element to simplify cleaning
- Self-clean oven—cleans the oven cavity without the need for scrubbing
- Black gloss oven interior—black oven interior adds a stylish touch to any kitchen

 PHS925STSS

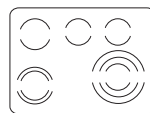


## PS978

### GE Profile 30" double oven range

- 6.6 cu. ft. total oven capacity—large capacity is ideal for big meals
- PreciseAir convection system—accurate heat circulation ensures evenly baked foods
- **NextStep controls**—illuminating controls simplify display operation
- 6"/9"/12" tri-ring element—three heating elements in one offer flexibility
- 5"/8" PowerBoil™ element—produces rapid, powerful heat
- Self-clean oven—cleans the oven cavity without the need for scrubbing
- Hidden bake oven interior (upper and lower oven)—conceals the lower oven element to simplify cleaning
- **Heavy-duty roller rack**—provides easy access to oven interior
- **Black gloss oven interior**—black oven interior adds a stylish touch to any kitchen
- Fifth element warming zone—provides low-heat capability for foods on the cooktop

 PS978STSS



 Stainless steel

Complete features and specifications on page 235.

**Bold** = feature upgrade from previous model.

\*See page 198 for ADA requirements.





# Slide-in electric ranges

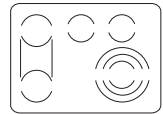


## PS968

### GE Profile 30" CleanDesign™ convection range

- **PreciseAir™ convection system**—accurate heat circulation ensures evenly baked foods
- **Convection Bake (single- and multi-rack)**—optimal setting for baked goods and casseroles
- **Convection Roast**—even roasting with rotisserie results
- **Self-clean oven**—cleans the oven cavity without the need for scrubbing
- **Self-clean heavy-duty oven racks**—double-coated racks can stay in the oven during the self-clean cycle
- **6"/9"/12" tri-ring element**—three heating elements in one offer flexibility
- **Bridge element**—combines cooking elements into one cooking area
- **Heavy-duty knobs on stainless steel models**—enhanced durability and style
- **Glass touch controls**—smooth design is easy to operate and easy to clean
- Optional backguard kit (JXS37) and other kits available at additional cost†




-  PS968SPSS
-  PS968TPWW  
True white
-  PS968TPCC  
True bisque
-  PS968DPBB

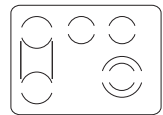


## PS905

### GE Profile™ 30" CleanDesign electric range

- **Self-clean oven**—cleans the oven cavity without the need for scrubbing
- **6"/9" PowerBoil™ element**—produces rapid, powerful heat
- **Bridge element**—combines cooking elements into one cooking area
- **Fifth element warming zone**—provides low-heat capability for foods on the cooktop
- **TrueTemp™ oven system**—even heat distribution and maximum oven control
- **Ribbon heating elements**—consistent heat and glass surface provide fast, even heating
- **Heavy-duty knobs on stainless steel models**—enhanced durability and style
- Optional backguard kit (JXS37) and other kits available at additional cost†




-  PS905SPSS
-  PS905TPWW  
True white
-  PS905DPBB

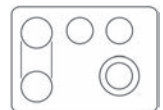


## JSP46

### GE® 30" CleanDesign convection range

- **Self-clean oven**—cleans the oven cavity without the need for scrubbing
- **PreciseAir convection system**—accurate heat circulation ensures evenly baked foods
- **Glass touch controls**—smooth design is easy to operate and easy to clean
- **6"/9" PowerBoil element**—produces rapid, powerful heat
- **Bridge element**—combines cooking elements into one cooking area
- **4.1 cu. ft. oven capacity**—more room for cooking more dishes at once
- **Ribbon heating elements**—consistent heat and glass surface provide fast, even heating
- **Big hearth window**—makes the monitoring of foods easy

-  JSP46SPSS
-  JSP46DPWW
-  JSP46DPBB



 Stainless steel  True white  True bisque  White on white  Black on black

Complete features and specifications on pages 236-237.  
**Bold** = feature upgrade from previous model.

\*See page 198 for ADA requirements.





†See page 237 for optional backguard kit (JXS37).

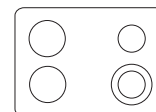




**JSP42**  
GE 30" CleanDesign electric range




- Self-clean oven—cleans the oven cavity without the need for scrubbing
- Electronic oven controls—electronic touch pads are easy to operate
- **6" / 9" PowerBoil element—produces rapid, powerful heat**
- 4.4 cu. ft. capacity—more room for cooking more dishes at once
- **Ribbon heating elements—consistent heat and glass surface provide fast, even heating**
- **Ceramic-glass cooktop—cleanup is quick and easy**
- Frameless glass oven door—simple, stylish and easy to clean
- Big hearth window—makes the monitoring of foods easy

-  JSP42SNSS
-  JSP42DNWW
-  JSP42DNCC
-  JSP42DNBB



**JSP39**  
GE 30" electric coil range

- Self-clean oven—cleans the oven cavity without the need for scrubbing
- Electronic oven controls—electronic touch pads are easy to operate
- Coil heating elements—provide even heat and easy cleanup
- Big hearth window—makes the monitoring of foods easy
- 4.4 cu. ft. capacity—more room for cooking more dishes at once
- Frameless glass oven door—simple, stylish and easy to clean
- Audible preheat signal—convenient signal alerts when the oven reaches desired temperature
- Chrome drip bowls—spills are easily contained and quickly cleaned thanks to removable bowls

-  JSP39SNSS
-  JSP39DNWW
-  JSP39DNCC
-  JSP39DNBB



**JSS28**  
GE 30" electric coil range

- Electronic oven controls—electronic touch pads are easy to operate
- Coil heating elements—provide even heat and easy cleanup
- Big hearth window—makes monitoring of food easy
- Standard-clean oven—smooth surface makes cleaning by hand easier
- 4.4 cu. ft. oven capacity—more room for cooking more dishes at once
- Frameless glass oven door—simple, stylish and easy to clean
- Dual-element bake—upper and lower elements help the oven preheat faster, and then surround foods with heat for optimal results
- Lift-up porcelain cooktop—makes spills and messes under the cooktop easily accessible and within reach

-  JSS28DNWW
-  JSS28DNBB



# Slide-in gas ranges

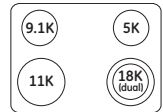


## PGS975

### GE Profile™ 30" gas convection range

- Deep-recessed cooktop—contains spills in one area for easy cleaning
- Gas convection—circulates heat at high and low speeds for ideal results
- Convection Bake—optimal setting for baked goods and casseroles
- Convection Roast—even roasting with rotisserie results
- 4.1 cu. ft. oven capacity—more room for cooking more dishes at once
- **18,000 BTU dual-flame stacked burner—fast boiling or gentle 140° simmering**
- Glass touch controls—smooth design is easy to operate and easy to clean
- **Gas cooktop and oven lockout—helps prevent unintended activation**
- Optional backguard kit (JXS37) and other kits available at additional cost†

-  PGS975SEPPS
-  PGS975DEPWW
-  PGS975DEPBB

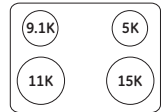


## PGS968

### GE Profile 30" gas convection range

- Gas-on-glass cooktop—sleek and extremely easy to clean
- Gas convection—circulates heat at high and low speeds for ideal results
- Convection Bake—optimal setting for baked goods and casseroles
- Convection Roast—even roasting with rotisserie results
- 4.1 cu. ft. oven capacity—more room for cooking more dishes at once
- **Self-clean heavy-duty oven racks—double-coated racks can stay in the oven during the self-clean cycle**
- Glass touch controls—smooth design is easy to operate and easy to clean
- 15,000 BTU PowerBoil™ burner—produces fast, intense heat
- Precise Simmer burner—delivers a low setting of 140°
- Continuous grates—allow for easy movement of pans between burners
- Heavy-duty knobs on stainless steel models—enhanced durability and style
- Optional backguard kit (JXS37) and other kits available at additional cost†


-  PGS968SEPPS

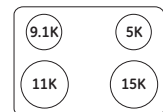


## PGS908

### GE Profile 30" gas range

- Deep-recessed cooktop—contains spills for quick and easy cleaning
- Self-clean oven—cleans the oven cavity without the need for scrubbing
- **Heavy-duty knobs on stainless steel models—enhanced durability and style**
- 15,000 BTU PowerBoil burner—produces fast, intense heat
- Precise Simmer burner—delivers a low setting of 140°
- 4.1 cu. ft. oven capacity—more room for cooking more dishes at once
- Dishwasher-safe continuous grates—allow for easy movement of pans between burners and are safe to clean in the dishwasher
- TrueTemp™ oven system—even heat distribution and maximum oven control
- Optional backguard kit (JXS37) and other kits available at additional cost†

-  PGS908SEPPS
-  PGS908DEPWW
-  PGS908DEPBB



 Stainless steel  White on white  Black on black

Complete features and specifications on pages 238-239.

**Bold** = feature upgrade from previous model.

\*See page 198 for ADA requirements.

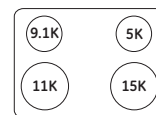
†See page 238 for optional backguard kit (JXS37).



**JGSP42**  
GE® 30" gas range

- Self-clean oven—cleans the oven cavity without the need for scrubbing
- Sealed cooktop burners—contain spills and make cleaning quick and easy
- Electronic oven controls—electronic touch pads are easy to operate
- Continuous grates—allow for easy movement of pans between burners
- Two oven racks—durable to securely hold any cookware
- Big hearth window—makes the monitoring of foods easy
- 15,000 BTU PowerBoil burner—produces fast, intense heat

- JGSP42SETSS
- JGSP42DETW
- JGSP42DETB



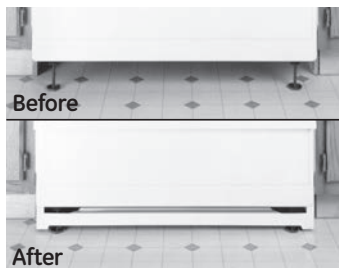
**JGSS05** (not shown)  
GE 30" gas range

- Standard-clean oven—smooth surface makes cleaning by hand easier
- 4.8 cu. ft. oven capacity—more room for cooking more dishes at once
- Standard burners—reliable heat for everyday cooktop cooking
- Broiler drawer—delivers high concentrated heat for crisping and browning
- Small hearth-shaped window—makes it easy to keep an eye on foods

- JGSS05DEMB



Optional kits for slide-in ranges



**JXS56**  
Lower trim kit

- Color-matched toe kick provides finished look when range is raised to the highest position. Extension legs included.
- Designed for use with all 30" electric and gas slide-in ranges, except JGSS05.

See pages 237-238 for complete details.

- JXS56WW—White
- JXS56BB—Black



**JXS77**  
Body side kit

- Completes one side of a slide-in range when exposed.
- Designed for use with all 30" slide-in ranges, except JGSS05, PHS925 and PS978.

See pages 237-238 for complete details.

- JXS77WW—White
- JXS77BB—Black



**JXS37**  
Backguard kit

- Attaches to the back of a slide-in model when it is installed in a 30" free-standing cutout.
- Designed for use on 30" smoothtop electric, gas and dual-fuel slide-in ranges.

- See pages 237-239 for complete details.
- JXS37WW—White
- JXS37CC—Bisque
- JXS37BB—Black/Stainless steel



**JXS32/JXS80**  
Backguard kit

- Attaches to the back of a slide-in model when it is installed in a 30" free-standing cutout.
- Designed for use with all 30" electric and gas slide-in ranges, except JGSS05, PHS925 and PS978.

- See pages 237-239 and 246 for complete details.
- JXS32SS—Stainless steel shown above
- JXS32WW—White
- JXS32BB—Black
- JXS80SS—Stainless steel
- GE Café™ models



**WB07T**  
Rear filler trim

- Kit includes: rear filler trim, instructions and screws.
- Black available through Parts and all ADCs. White and bisque available through Parts only.

- See pages 237-239 for complete details.
- WB07T10680—Stainless steel (Black)
- WB07T10681—White
- WB07T10682—Bisque
- WB07T10680—Black

# DROP-IN RANGES

A feature-filled oven means more ways to experiment in the kitchen.



Model shown: PD968



### Convection Bake

This setting is excellent for baking casseroles or lasagnas, yeast breads, pies and pizzas with no need to turn the pan.



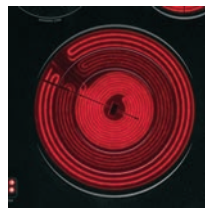
### TrueTemp™ oven system

Provides even heat distribution and precise oven control.



### Convection Roast

Optimal for larger cuts of meat, this setting rotates the heat around all sides, sealing in the juices, producing rotisserie results.



### 6"/9"/12" tri-ring element

Three heating elements in one allow you to choose either a 6", 9" or 12" element for your cookware.



### PreciseAir™ convection system

A reversing fan circulates heat and air for evenly browned and baked foods.



### Self-clean oven with hidden bake oven interior

Conveniently cleans the oven cavity without the need for scrubbing, and the hidden bake element makes cleanup even easier.

# Drop-in ranges

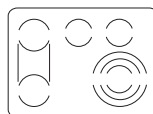


## PD968

### GE Profile™ 30" convection range

- PreciseAir convection system—accurate heat circulation ensures evenly baked foods
- Convection Bake (single- and multi-rack)—optimal setting for baked goods and casseroles
- Convection Roast—even roasting with rotisserie results
- Self-clean oven—cleans the oven cavity without the need for scrubbing
- Self-clean heavy-duty oven racks—double-coated racks can stay in oven during the self-clean cycle
- 6"/9"/12" tri-ring element—three heating elements offer flexibility
- Bridge element—combines cooking elements into one cooking area
- Optional backguard kit (JXS37) and other kits available at additional cost†

- PD968SPSS
- PD968DPBB



Backguard kit—attaches to the back of range when unit is installed in 30" free-standing cutout. Kit JXS37.

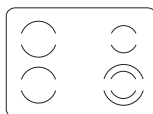


## PD900

### GE Profile 30" electric range

- Self-clean oven—cleans the oven cavity without the need for scrubbing
- Electronic oven controls—electronic touch pads are easy to operate
- 6"/9" PowerBoil™ element—produces rapid, powerful heat
- 4.4 cu. ft. oven capacity—enough room to cook an entire meal at once
- TrueTemp oven system—even heat distribution and maximum oven control
- Ribbon heating elements—consistent heat and glass surface provide fast, even heating
- Ceramic-glass cooktop—cleanup is quick and easy
- Optional backguard kit (JXS37) and other kits available at additional cost†

- ◐ PD900DPWW
- ◑ PD900DPCC
- PD900DPBB



○ Stainless steel   ◐ White/Black   ◑ Bisque/Black   ● Black on black

Complete features and specifications on page 240.

**Bold** = feature upgrade from previous model.

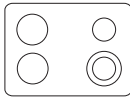
\*See page 198 for ADA requirements.

†See page 240 for optional backguard kit (JXS37).

## Drop-in ranges



**JDP42**  
GE® 30" electric range



- **Self-clean oven**—cleans the oven cavity without the need for scrubbing
- Electronic oven controls—electronic touch pads are easy to operate
- **Ribbon heating elements**—consistent heat and glass surface provide fast, even heating
- **6" 9/16" PowerBoil™ element**—produces rapid, powerful heat



- JDP42STSS
- JDP42DTWW
- JDP42DTBB



**JDS28**  
GE 30" electric range

- Standard-clean oven—smooth surface makes cleaning by hand easier
- Coil heating elements—provide even heat and easy cleanup
- Electronic clock and timer—help cooks coordinate meal preparation and cooking
- **Big hearth window**—makes the monitoring of foods easy



- JDS28DNWW



**JMP31**  
GE Profile™ 27" electric range

- Self-clean oven—cleans the oven cavity without the need for scrubbing
- Coil heating elements—provide even heat and easy cleanup
- Electronic clock and timer—help cooks coordinate meal preparation and cooking



- JMP31WCWW
- JMP31CLCC
- JMP31BLBB

## Optional kits for drop-in ranges



**JXS37**  
Backguard kit

- Attaches to the back of a drop-in model when it is installed in a 30" free-standing cutout.
- Designed for use on 30" smoothtop electric drop-in ranges. *See page 240 for complete details.*

JXS37WW—White  
JXS37CC—Bisque  
JXS37BB—Black/  
Stainless steel



**JXS32**  
Backguard kit

- Attaches to the back of a drop-in model when it is installed in a 30" free-standing cutout.
- Designed for use with all 30" electric drop-in ranges. *See page 240 for complete details.*

JXS32SS—Stainless steel shown above  
JXS32WW—White  
JXS32BB—Black



**WB07T**  
Rear filler trim

- Kit includes: rear filler trim, instructions and screws.
- Black available through Parts and all ADCs. White and bisque available through Parts only. *See page 240 for complete details.*

WB07T10680—Stainless steel (Black)  
WB07T10681—White  
WB07T10682—Bisque  
WB07T10680—Black

○ Stainless steel   ○ White on white   ○ Bisque on bisque   ● Black on black

Complete features and specifications on pages 240-241.

**Bold** = feature upgrade from previous model.

\*See page 198 for ADA requirements.



Model shown: CV966

Refrigeration  
 Drop-in ranges/  
 Ventilation products  
 Microwave ovens  
 Dishwashers  
 Clothes care  
 Water heaters  
 Air conditioning



**590-CFM blower**  
 Powerful blower circulates the kitchen air to help the hood's exhaust system remove smoke, grease, odors and moisture from the kitchen.



**Variable-speed control**  
 Variable-speed fan helps remove smoke, grease, odors and moisture you create to keep your kitchen air clean and livable.



**Cooktop light**  
 Enjoy the convenience of light under the hood to help you better see your cooking surface.



**Removable grease filter**  
 Durable grease filter collects the grease that builds up from cooking and can be removed quickly and easily for cleaning.

# Ventilation products



## ZVC36L

### 36" custom hood insert

- 640-CFM blower—helps effectively remove smoke, grease, odors and moisture
- Variable-speed fan control—helps draw smoke, grease, odors and moisture out of the kitchen air
- Four lighting levels
- Controls can be wired remotely
- Liner, two filters and three lights included

 ZVC36LSS

**ADA\***  
compliant

## ZVC30L (not shown)

### 30" custom hood insert

Similar to ZVC36L, except 30" wide.

 ZVC30LSS



## JV960

### GE Profile™ 36" slide-out hood

- Glass visor—slides in and out for enhanced venting performance
- 320-CFM blower—helps effectively remove smoke, grease, odors and moisture
- Variable-speed fan control—helps draw smoke, grease, odors and moisture out of the kitchen air
- Vertical exhaust—exhausts from the top of the hood
- Cooktop light—brightens the cooking surface
- Removable grease filter—collects grease and removes for easy cleaning

 JV960SCBR

## JV930 (not shown)

### GE Profile 30" slide-out hood

Similar to JV960, except 30" wide.

 JV930SCBR



## JV694

### GE Profile 36" slide-out hood

- Glass visor—slides in and out for enhanced venting performance
- 320-CFM blower—helps effectively remove smoke, grease, odors and moisture
- Variable-speed fan control—helps draw smoke, grease, odors and moisture out of the kitchen air
- Vertical exhaust—exhausts from the top of the hood
- Cooktop light—brightens the cooking surface
- Removable grease filter—collects grease and removes for easy cleaning

 JV694SBB

## JV394 (not shown)

### GE Profile 30" slide-out hood

Similar to JV694, except 30" wide.

 JV394SBB

 Stainless steel  BR Brushed aluminum  Black on black

Complete features and specifications on pages 252 and 254–255.

\*See page 198 for ADA requirements.



**PV976****GE Profile 36" wall-mount chimney hood**

- 450-CFM blower—helps effectively remove smoke, grease, odors and moisture
- Electronic controls—electronic touch pads are easy to operate
- Variable-speed fan control—helps draw smoke, grease, odors and moisture out of the kitchen air
- Vertical exhaust—exhausts from the top of the hood
- Cooktop light—brightens the cooking surface
- Dishwasher-safe filter—filters grease and is dishwasher-safe

 **PV976NSS**
**PV977** (not shown)**GE Profile 36" island-mount chimney hood**

Similar to PV976, except island-mount.

 **PV977NSS**
**PV970** (not shown)**GE Profile 30" wall-mount chimney hood**

Similar to PV976, except 30" wide.

 **PV970NSS**
**CV966****GE Café™ 36" commercial hood**

- 590-CFM blower—helps effectively remove smoke, grease, odors and moisture
- Four-speed fan control—helps draw smoke, grease, odors and moisture out of the kitchen air
- Vertical exhaust—exhausts from the top of the hood
- Halogen cooktop light—illuminates the cooking surface
- Night-light—soft light at night
- Removable grease filter—collects grease and removes for easy cleaning
- Optional chimney kit JXCHSS and other kits available at additional cost†

 **CV966TSS**
**CV936** (not shown)**GE Café 30" commercial hood**

Similar to CV966, except 30" wide.

 **CV936MSS**
**JV966****GE Profile 36" designer hood**

- 590-CFM blower—helps effectively remove smoke, grease, odors and moisture
- Four-speed fan control—helps draw smoke, grease, odors and moisture out of the kitchen air
- Vertical exhaust—exhausts from the top of the hood
- Halogen cooktop light—illuminates the cooking surface
- Night-light—soft light at night
- Removable grease filter—collects grease and removes for easy cleaning
- Optional chimney kit JXCHSS and other kits available at additional cost†

 **JV966DSS**
**JV936** (not shown)**GE Profile 30" designer hood**

Similar to JV966, except 30" wide.

 **JV936DSS**
 Stainless steel

†See page 254 for optional chimney kit (JXCHSS).

# Ventilation products



## PVB98

### GE Profile™ 36" telescopic downdraft system

- 390-CFM blower—helps effectively remove smoke, grease, odors and moisture
- Variable-speed fan control—helps draw smoke, grease, odors and moisture out of the kitchen air
- Rises 8-1/2" above cooktop surface
- Retracts when not in use
- Separate remote raise/lower switch

- PVB98STSS
- PVB98DTBB

## PVB94 (not shown)

### GE Profile 30" telescopic downdraft system

Similar to PVB98, except 30" wide.

- PVB94STSS
- PVB94DTBB



## JV666/665

### GE Profile 36" high-performance hood

- Vented—channels exhaust from the kitchen to the outside of the home
- Vertical and rear exhaust—exhausts from the top or rear of the hood
- Four-speed fan control—helps draw smoke, grease, odors and moisture out of the kitchen air
- Halogen cooktop light—illuminates the cooking surface

- JV666HSS
- JV665HWW
- JV665HBB

## JV636/635

(not shown)

### GE Profile 30" high-performance hood

Similar to JV666/665, except 30" wide.

- JV636HSS
- JV635HWW
- JV635HBB



## JV566/565

### GE Profile 36" high-performance hood

- Convertible venting—offers vented or non-vented installation options
- Vertical and rear exhaust—exhausts from the top or rear of the hood

- JV566HSS
- JV565HWW
- JV565HBB

## JV536/535

(not shown)

### GE Profile 30" high-performance hood

Similar to JV566/565, except 30" wide.

- JV536HSS
- JV535HWW
- JV535HCC
- JV535HBB

Stainless steel White on white Bisque on bisque Black on black

Complete features and specifications on pages 253 and 256.

\*See page 198 for ADA requirements.



**JV367**  
GE® 36" deluxe hood

- Convertible venting—offers vented or non-vented installation options
- Vertical and rear exhaust—exhausts from the top or rear of the hood
- Variable three-speed fan control—helps draw smoke, grease, odors and moisture out of the kitchen air
- Cooktop light—brightens the cooking surface
- Removable grease filter—collects grease and removes for easy cleaning
- Round or rectangular ducting—fits round or rectangular duct work

○ JV367HWW ● JV367HBB



**JVE40**  
GE 30" ENERGY STAR® qualified hood

- Convertible venting—offers vented or non-vented installation options
- Vertical and rear exhaust—exhausts from the top or rear of the hood
- Variable two-speed fan control—helps draw smoke, grease, odors and moisture out of the kitchen air
- Cooktop light—brightens the cooking surface
- Removable grease filter—collects grease and removes for easy cleaning
- Round or rectangular ducting—fits round or rectangular duct work

○ JVE40STSS ○ JVE40DTWW ● JVE40DTBB



**JV348/347**  
GE 30" deluxe hood

- Convertible venting—offers vented or non-vented installation options
- Vertical and rear exhaust—exhausts from the top or rear of the hood
- Variable three-speed fan control—helps draw smoke, grease, odors and moisture out of the kitchen air
- Cooktop light—brightens the cooking surface

○ JV348LSS ○ JV347HCC  
○ JV347HWW ● JV347HBB

**JV248/247**  
GE 24" deluxe hood

Similar to JV348/347, except 24" wide.

○ JV248PSS  
○ JV247PWW



**JV338**  
GE 30" standard hood

- Vented—channels exhaust from the kitchen to the outside of the home
- Vertical and rear exhaust—exhausts from the top or rear of the hood

○ JV338HWW  
● JV338HBB

**JN327** (not shown)  
GE 30" non-vented hood

Similar to JV338, except non-vented.

○ JN327HWW  
○ JN327HCC  
● JN327HBB

○ Stainless steel ○ White on white ○ Bisque on bisque ● Black on black

# FREE-STANDING ELECTRIC RANGES

A range this versatile means it can handle anything from stir-fry to soufflés.



## Explore free-standing electric ranges



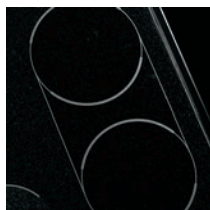
### NextStep controls

Knob-free controls illuminate to lead you through setting controls for great results.



### Induction technology

This innovative technology combines the responsiveness of a gas cooktop with the peace of mind of a cooler cooking surface. (PHB925 only)



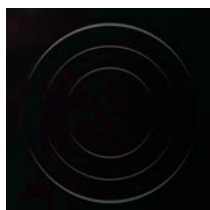
### Bridge element

Combines two cooktop elements into one large cooking area, ideal for griddles and gourmet pans.



### PreciseAir™ convection system

Uses an innovative fan that reverses direction for optimal air and heat circulation.



### Adjustable elements

Accommodate various-size pots or pans for the ultimate in cooking versatility.



### Self-clean oven with hidden bake oven interior

Conveniently cleans the oven cavity without the need for scrubbing, and the hidden bake element makes cleanup even easier.



### 5.3 cu. ft. oven capacity

Enough room to cook an entire meal at once.



### Black gloss oven interior

Black oven interior adds a stylish touch to any kitchen.



### Multiple-mode convection

Offers three specialized modes for different cooking needs: **single-rack convection baking, multi-rack convection baking, and convection roasting.**



### Auto Recipe™ conversion

Automatically converts standard recipe temperatures to proper convection settings, eliminating the guesswork.



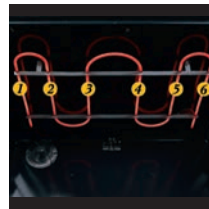
### Double oven 6.6 cu. ft. total oven capacity

Two separate ovens make it easy to prepare multiple dishes at different temperatures at the same time.



### Heavy-duty roller rack

Racks provide easy access to items inside the oven by simplifying loading and unloading.



### Six-pass coil element

Provides even coverage of the food when using the broil option.



### Baking drawer

Offers an additional 1.2 cu. ft. of capacity for convenient baking from 140° to 450°.

### Removable drawer liner

Provides additional convenience for quick and easy cleaning.

# Free-standing electric CleanDesign™ range colors

## Black and stainless models

GE Profile™



Black

## Black, stainless, CleanSteel™ appearance & silver models

GE®



Patterned black

## True white models

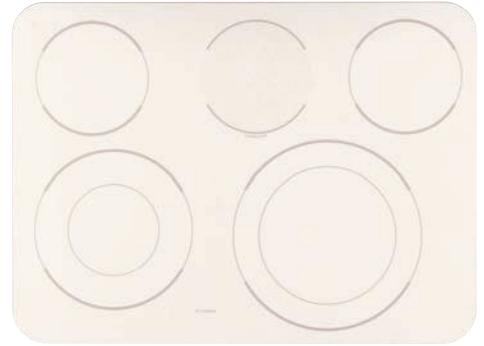
GE and GE Profile



True white

## True bisque models

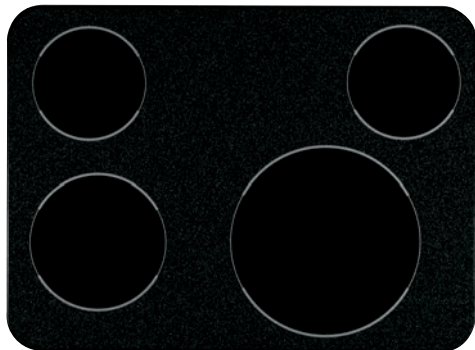
GE



True bisque

## White on white models

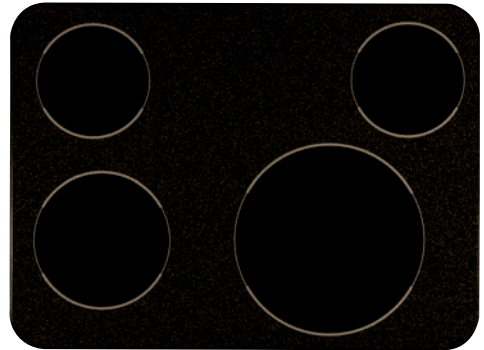
GE



Patterned white

## Bisque on bisque models

GE



Patterned bisque

# Free-standing electric ranges

Refrigeration

Free-standing electric ranges

Microwave ovens

Dishwashers

Clothes care

Water heaters

Air conditioning

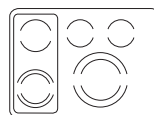


## CS980

### GE Café™ 30" radiant convection range with baking drawer

- PreciseAir™ convection system—accurate heat circulation ensures evenly baked foods
- Single-/Multi-Rack Convection Bake—the reversing fan and third element provide even browning on every rack
- **5.4 cu. ft. oven capacity**—more room for cooking more dishes at once
- **Griddle system with pre-seasoned cast iron**—superior performance and easy cleanup
- **Baking drawer**—offers an additional 1.0 cu. ft. of capacity for convenient baking from 140° to 450°
- 9"/12" dual element—choose a 9" or a 12" heating element
- Black gloss oven interior—adds a stylish touch to the kitchen
- **Fifth element cook/warm**—keeps food warm and boils water in minutes
- **Self-clean heavy-duty oven racks**—double-coated porcelain racks can stay in the oven during the self-clean cycle
- TrueTemp™ oven system—even heat distribution and maximum oven control
- Heavy-duty knobs—heavy-duty knobs offer enhanced durability
- Optional backguard kit (JXS80) available at additional cost†

CS980STSS



Griddle accessory included



## PB978

### GE Profile 30" double oven range with convection

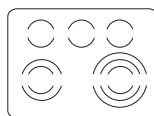
- 6.6 cu. ft. total oven capacity—large capacity is ideal for big meals
- PreciseAir convection system—accurate heat circulation ensures evenly baked foods
- 6"/9"/12" 3600-watt tri-ring element—three heating elements in one offer flexibility
- **5"/8" dual element**—two heating elements in one offer flexibility
- Heavy-duty roller rack—provides easy access to oven interior
- **NextStep controls**—illuminating controls simplify display operation
- Slow cook mode—provides ideal conditions for slow cook meals
- Black gloss oven interior—adds a stylish touch to the kitchen
- Hidden bake oven interior—conceals lower oven element to simplify cleaning

PB978STSS

ecomagination



PB978DTBB



Stainless steel    Black on black

Complete features and specifications on pages 246-247, 242 and 245. Cooktop glass pattern appearance on page 102.

**Bold** = feature upgrade from previous model.

†See page 246 for optional backguard (JXS80).

ecomagination—part of the ecomagination kitchen suite of appliances

# Free-standing electric ranges



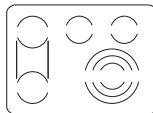
## PB975

### GE Profile™ 30" double oven range with convection

- **6.6 cu. ft. total oven capacity**—large capacity is ideal for big meals
- **PreciseAir™ convection system**—accurate heat circulation ensures evenly baked foods
- **6"/9"/12" tri-ring element**—three heating elements in one offer flexibility
- **Bridge element**—combines cooking elements into one cooking area
- **Slow cook mode**—provides ideal conditions for slow cook meals
- **Hidden bake oven interior**—conceals lower oven element to simplify cleaning
- **Self-clean oven**—cleans the oven cavity without the need for scrubbing
- **Black gloss oven interior**—adds a stylish touch to the kitchen
- **Quickset VI glass touch controls**—smooth glass design is easy to clean and operate

- PB975STSS
- PB975TTWW  
True white
- PB975DTBB

ecomagination

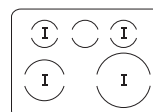


## PHB925

### GE Profile 30" induction range with warming drawer

- **Induction cooktop technology**—innovative, fast, efficient cooking
- **PreciseAir convection system**—accurate heat circulation ensures evenly baked foods
- **Warming drawer**—variable temperature control keeps foods warm
- **NextStep controls**—illuminating controls simplify display operation
- **Hidden bake oven interior**—conceals lower oven element to simplify cleaning
- **Black gloss oven interior**—adds a stylish touch to the kitchen

- PHB925STSS



○ Stainless steel   ○ True white   ● Black on black

Complete features and specifications on pages 242 and 245.  
Cooktop glass pattern appearance on page 102.

**Bold** = feature upgrade from previous model.

ecomagination—part of the ecomagination kitchen suite of appliances



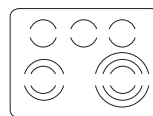


**PB920**

**GE Profile 30" CleanDesign™ convection range with warming drawer**

- PreciseAir convection system—accurate heat circulation ensures evenly baked foods
- **NextStep controls—illuminating controls simplify display operation**
- 6"/9"/12" tri-ring element—three heating elements in one offer flexibility
- **5"/8" dual element—two heating elements in one offer flexibility**
- Self-clean with Steam Clean option—gives the option of self-cleaning or steam cleaning
- Heavy-duty roller rack—provides easy access to oven interior
- Warming drawer—variable temperature control keeps foods warm
- 5.3 cu. ft. oven capacity—enough room to cook an entire meal at once
- Hidden bake oven interior—conceals lower oven element to simplify cleaning
- Black gloss oven interior—adds a stylish touch to the kitchen





-  PB920STSS
-  PB920DTBB

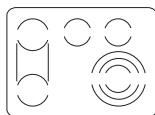


**PB915**

**GE Profile 30" CleanDesign convection range with warming drawer**

- PreciseAir convection system—accurate heat circulation ensures evenly baked foods
- Single-/Multi-Rack Convection Bake—the reversing fan and third element provide even browning on every rack
- 6"/9"/12" tri-ring element—three heating elements in one offer flexibility
- **Bridge element—combines cooking elements into one cooking area**
- Warming drawer—variable temperature control keeps foods warm
- Heavy-duty roller rack—provides easy access to oven interior
- Self-clean with Steam Clean option—gives the option of self-cleaning or steam cleaning
- Hidden bake oven interior—makes oven cleaning simple




-  PB915STSS
-  PB915TTWW True white
-  PB915TTCC True bisque
-  PB915DTBB

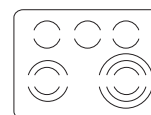


**PB905**

**GE Profile 30" CleanDesign convection range**

- PreciseAir convection system—accurate heat circulation ensures evenly baked foods
- Single-/Multi-Rack Convection Bake—the reversing fan and third element provide even browning on every rack
- 5.3 cu. ft. oven capacity—enough room to cook an entire meal at once
- 6"/9"/12" tri-ring element—three heating elements in one offer flexibility
- 6"/9" PowerBoil™ element—produces rapid, powerful heat
- Self-clean with Steam Clean option—gives the option of self-cleaning or steam cleaning
- Hidden bake oven interior—conceals lower oven element to simplify cleaning
- **Black gloss oven interior—adds a stylish touch to the kitchen**

-  PB905STSS
-  PB905TTWW True white
-  PB905DTBB



# Free-standing electric double oven ranges



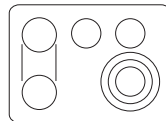
## JB870

### GE® 30" double oven range with convection

- 6.6 cu. ft. total oven capacity—large capacity is ideal for big meals
- **Convection Bake**—optimal setting for baked goods and casseroles
- Self-clean oven—cleans the oven cavity without the need for scrubbing
- 6"9"/12" tri-ring element—three heating elements in one offer flexibility
- **Bridge element**—combines cooking elements into one cooking area
- Fifth element warming zone—provides low-heat capability for foods on the cooktop
- Hidden bake oven interior—conceals lower oven element to simplify cleaning

- JB870STSS
- JB870TTWW  
True white
- JB870DTBB

ecomagination



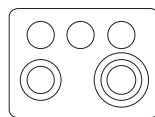
## JB850

### GE 30" double oven range

- 6.6 cu. ft. total oven capacity—large capacity is ideal for big meals
- Self-clean oven—cleans the oven cavity without the need for scrubbing
- 6"9"/12" tri-ring element—three heating elements in one offer flexibility
- 6"9" PowerBoil™ element—produces rapid, powerful heat
- Fifth element warming zone—provides low-heat capability for foods on the cooktop
- TrueTemp™ oven system—even heat distribution and maximum oven control
- Dual-element bake—upper and lower elements produce even heat and great results

- JB850STSS
- JB850DTWW
- JB850DTBB

ecomagination



○ Stainless steel   ○ True white   ○ White on white   ● Black on black

Complete features and specifications on pages 243 and 245.  
Cooktop glass pattern appearance on page 102.

# Free-standing electric ranges

Refrigeration

Free-standing electric ranges

Microwave ovens

Dishwashers

Clothes care

Water heaters

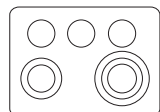
Air conditioning



**JB705**  
GE 30" convection range with warming drawer

- **PreciseAir™ convection system**—accurate heat circulation ensures evenly baked foods
- Self-clean with Steam Clean option—gives the option of self-cleaning or steam cleaning
- **6"/9"/12" tri-ring element**—three heating elements in one offer flexibility
- 6"/9" PowerBoil element—produces rapid, powerful heat
- **Warming drawer**—variable temperature control keeps food warm
- **Self-clean heavy-duty oven racks**—can stay in the oven during the self-clean cycle

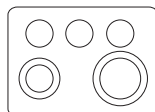
- JB705STSS
- JB705TTWW True white
- JB705TTCC True bisque
- JB705DTBB



**JB680**  
GE 30" convection range

- **Convection Bake**—optimal setting for baked goods and casseroles
- Self-clean with Steam Clean option—gives the option of self-cleaning or steam cleaning
- 5.3 cu. ft. oven capacity—enough room to cook an entire meal at once
- 9"/12" dual element—choose a 9" or a 12" heating element
- 6"/9" PowerBoil element—produces rapid, powerful heat
- Fifth element warming zone—provides low-heat capability for foods on the cooktop
- Hidden bake oven interior—makes oven cleaning simple

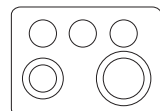
- JB680STSS
- JB680DTWW
- JB680DTBB



**JB650**  
GE 30" range

- Self-clean with Steam Clean option—gives the option of self-cleaning or steam cleaning
- 5.3 cu. ft. oven capacity—enough room to cook an entire meal at once
- **9"/12" dual element**—choose a 9" or a 12" heating element
- **6"/9" PowerBoil element**—produces rapid, powerful heat
- Fifth element warming zone—provides low-heat capability for foods on the cooktop
- Hidden bake oven interior—conceals lower oven element to simplify cleaning
- TrueTemp oven system—even heat distribution and maximum oven control

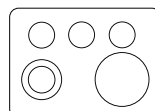
- JB650STSS
- JB650DTWW
- JB650DTBB



**JB645**  
GE 30" range

- **Self-clean with Steam Clean option**—gives the option of self-cleaning or steam cleaning
- 5.3 cu. ft. oven capacity—enough room to cook an entire meal at once
- Hidden bake oven interior—conceals lower oven element to simplify cleaning
- **5"/8" PowerBoil element**—produces rapid, powerful heat
- 12" element—provides exceptional cooking power
- **Fifth element warming zone**—provides low-heat capability for foods on the cooktop

- JB645STSS
- JB645DTWW
- JB645DTBB



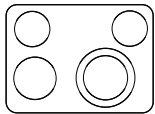
# Free-standing electric ranges



## JB640 GE® 30" range

- Self-clean oven—cleans the oven cavity without the need for scrubbing
- 5.3 cu. ft. oven capacity—enough room to cook an entire meal at once
- **9"/12" dual element—choose a 9" or a 12" heating element**
- **TrueTemp™ oven system— even heat distribution and maximum oven control**
- **QuickSet IV oven controls— electronic touch pads make operation simple**
- Ceramic-glass cooktop—smooth cooktop easily wipes clean
- Big hearth window—makes monitoring of foods easy

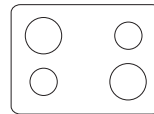
- JB640SRSS
- JB640DRWW
- JB640DRCC
- JB640DRBB



## JB620 GE 30" range

- **Self-clean oven—cleans the oven cavity without the need for scrubbing**
- 5.3 cu. ft. oven capacity—enough room to cook an entire meal at once
- QuickSet III oven controls—electronic touch pads make operation simple
- Ceramic-glass cooktop—smooth cooktop easily wipes clean
- Big hearth window—makes monitoring of foods easy
- Dual-element bake—upper and lower elements produce even heat and great results

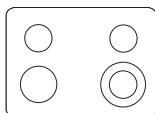
- JB620SRSS
- JB620GRSA
- JB620DRWW
- JB620DRBB



## JB400 GE 30" range

- **Steam Clean—helps to clean with the power of steam**
- **Hidden bake oven interior—conceals lower oven element to simplify cleaning**
- 5.3 cu. ft. oven capacity—enough room to cook an entire meal at once
- **6"/9" PowerBoil™ element—produces rapid, powerful heat**
- TrueTemp oven system— even heat distribution and maximum oven control
- Big hearth window—makes monitoring of foods easy

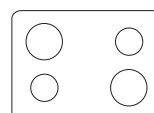
- JB400SPSS
- JB400DPWW
- JB400DPBB



## JBS55 GE 30" range

- Standard-clean oven—smooth surface and rounded corners make cleanup quick and easy
- 5.3 cu. ft. oven capacity—enough room to cook an entire meal at once
- QuickSet III oven controls—electronic touch pads make operation simple
- **Ceramic-glass cooktop—smooth cooktop easily wipes clean**
- Big hearth window—makes the monitoring of foods easy
- Dual-element bake—upper and lower elements produce even heat and great results

- JBS55SMSS
- JBS55DMWW
- JBS55DMBB



Stainless steel White on white Bisque on bisque Black on black SA Silver

Complete features and specifications on pages 243-245.  
Cooktop glass pattern appearance on page 102.



**JBP35**  
GE 30" range

- Self-clean oven—cleans the oven cavity without the need for scrubbing
- 5.3 cu. ft. oven capacity—enough room to cook an entire meal at once
- TrueTemp oven system—even heat distribution and maximum oven control
- QuickSet IV oven controls—electronic touch pads make operation simple
- Coil heating elements—provide even heat and easy cleanup
- Big hearth window—makes the monitoring of foods easy



- JBP35SMSS
- JBP35DMWW
- JBP35DMCC
- JBP35DMBB



**JBP28**  
GE 30" range

- Self-clean oven—cleans the oven cavity without the need for scrubbing
- 5.3 cu. ft. oven capacity—enough room to cook an entire meal at once
- **TrueTemp oven system—even heat distribution and maximum oven control**
- **QuickSet IV oven controls—electronic touch pads make operation simple**
- Coil heating elements—provide even heat and easy cleanup
- Big hearth window—makes the monitoring of foods easy



- JBP28DRWW
- JBP28DRCC
- JBP28DRBB



shown in silver

**JBP23**  
GE 30" range

- Self-clean oven—cleans the oven cavity without the need for scrubbing
- **5.3 cu. ft. oven capacity—enough room to cook an entire meal at once**
- **QuickSet III oven controls—electronic touch pads make operation simple**
- Coil heating elements—provide even heat and easy cleanup
- Dual-element bake—upper and lower elements produce even heat and great results
- Chrome drip bowls—contain spills and remove for easy cleaning



- JBP23SRSS
- JBP23GRSA
- JBP23DRWW
- JBP23DRCC
- JBP23DRBB

# Free-standing electric ranges



**JBP15**  
GE® 30" range

- **Self-clean oven**—cleans the oven cavity without the need for scrubbing
- **Upfront controls**—convenient operation
- 5.0 cu. ft. oven capacity—enough room to cook an entire meal at once
- Coil heating elements—provide even heat and easy cleanup
- **Big hearth window**—makes the monitoring of foods easy



- JBP15DMWW
- JBP15DMCC
- JBP15DMBB



**JBS27**  
GE 30" range

- Standard-clean oven—smooth surface and rounded corners make cleanup quick and easy
- 5.0 cu. ft. oven capacity—enough room to cook an entire meal at once
- Coil heating elements—provide even heat and easy cleanup
- Dual-element bake—upper and lower elements produce even heat and great results
- **Electronic clock and timer**—help cooks coordinate meal preparation and cooking

- JBS27SMSS
- JBS27DMWW
- JBS27DMBB



**JBS15**  
GE 30" range

- **Upfront controls**—convenient operation
- 5.0 cu. ft. oven capacity—enough room to cook an entire meal at once
- Coil heating elements—provide even heat and easy cleanup
- **ClearView™ window**—clear window makes monitoring food simple
- Dual-element bake—upper and lower elements produce even heat and great results



- JBS15MWW
- JBS15MBB



**JBS07**  
GE 30" range

- 5.0 cu. ft. oven capacity—enough room to cook an entire meal at once
- Coil heating elements—provide even heat and easy cleanup
- **ClearView window**—clear window makes monitoring food simple
- Dual-element bake—upper and lower elements produce even heat and great results
- Porcelain oven door—scratch-resistant coating is easy to maintain

- SA JBS07SPSA
- JBS07MWW
- JBS07MCC
- JBS07MBB

○ Stainless steel   ○ White on white   ○ Bisque on bisque   ● Black on black   ○ SA Silver

Complete features and specifications on pages 244–245.  
**Bold** = feature upgrade from previous model.

\*See page 198 for ADA requirements.



**JBS03**  
GE 30" range

- 5.0 cu. ft. oven capacity—enough room to cook an entire meal at once
- Coil heating elements—provide even heat and easy cleanup
- Dual-element bake—upper and lower elements produce even heat and great results
- Porcelain oven door—scratch-resistant coating is easy to maintain
- **Clean-Well cooktop system**—ensures spills are properly contained



JBS03MWH

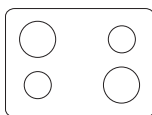


**JAP02**  
GE 24" range

- **Self-clean oven**—cleans the oven cavity without the need for scrubbing
- **Ceramic-glass cooktop**—smooth cooktop easily wipes clean
- 8" element—provides 2000 watts of cooking power
- 6" element—provides 1500 watts of cooking power
- **ClearView window**—clear window makes monitoring food simple



JAP02SNSS



**JAS02**  
GE 24" range

- Coil heating elements—provide even heat and easy cleanup
- Porcelain upswept cooktop—raised edges contain spills, while the surface is easy to wipe clean
- Chrome drip bowls—contain spills and remove for easy cleaning
- 6" element—provides 1500 watts of cooking power



JAS02SNSS

# DUAL-FUEL RANGES

A range combining a gas cooktop and an electric oven means the best of both worlds.



Model shown: C2S985



### PreciseAir™ convection system

Uses an innovative fan that reverses direction for optimal air and heat circulation.

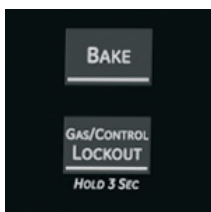
*(Available on C2S985 and P2S975 only.)*



### 20,000 BTU tri-ring burner

Three-in-one burner is designed for accelerated boiling and gentle simmering.

*(Available on C2S985 only.)*



### Gas cooktop and oven lock-out

Prevents unintended activation of the cooktop and oven.



### Baking drawer

Offers an additional 1.0 cu. ft. of capacity for convenient baking and warming from 140° to 450°.

*(Available on C2S985 and P2B930 only.)*



### Reversible cast-iron griddle/grill

Provides the flexibility to sear meats on the grill and cook delicate meals on the griddle.



### Sealed cooktop burners

Keep spillover contained on cooktop, making cleaning quick and easy.



# Dual-fuel ranges

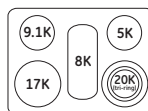


## C2S985

### GE Café™ 30" dual-fuel convection range with baking drawer

- Convection Bake—optimal setting for baked goods and casseroles
- 5.4 cu. ft. oven capacity—enough room to cook an entire meal at once
- Baking drawer—offers an additional 1.0 cu. ft. of capacity for convenient baking from 140° to 450°
- Self-clean oven—cleans the oven cavity without the need for scrubbing
- Non-stick griddle—large non-stick surface perfect for griddle cooking
- **20,000 BTU tri-ring burner—offers the flexibility of three different burners**
- Center oval burner—large oval fifth burner is ideal for griddle or odd-size cookware
- Precise Simmer burner—delivers a low setting of 140°
- Optional backguard kit (JXS80) available at additional cost†

C2S985SETSS



Griddle accessory included

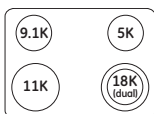


## P2S975

### GE Profile™ 30" dual-fuel convection slide-in range

- Deep-recessed cooktop—helps contain spills in one area for easy cleaning
- **Electric Convection Bake (single- and multi-rack)—the fan and third element provide even browning on every rack**
- **PreciseAir convection system—accurate heat circulation ensures evenly baked foods**
- Heavy-duty knobs—durability and elegance
- Convection Bake—optimal setting for baked goods and casseroles
- Convection Roast—even roasting with rotisserie results
- Optional backguard kit (JXS37) available at additional cost††

ADA\* compliant



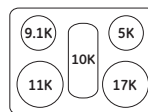
P2S975SEPPS  
P2S975DEPB



## P2B930

### GE Profile 30" dual-fuel convection range with baking drawer

- Convection Bake—optimal setting for baked goods and casseroles
- Self-clean oven—cleans the oven cavity without the need for scrubbing
- 5.4 cu. ft. oven capacity—enough room to cook an entire meal at once
- Baking drawer—offers an additional 1.0 cu. ft. of capacity for convenient baking from 140° to 450°
- Reversible cast-iron griddle/grill—two great ways to cook
- Center oval burner—large oval fifth burner is ideal for griddle or odd-size cookware
- Precise Simmer burner—delivers a low setting of 140°



Griddle accessory included

P2B930SETSS  
P2B930DETWW  
P2B930DETB

Stainless steel White on white Black on black

Complete features and specifications on pages 246-247 and 238-239.

**Bold** = feature upgrade from previous model.

\*See page 198 for ADA requirements.

†See page 246 for optional backguard kit.

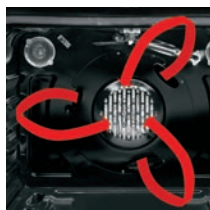
††See page 238 for optional backguard kit.

# FREE-STANDING GAS RANGES

A range with multiple cooking features means it's perfect for a simple meal or a dinner party.



## Explore free-standing gas ranges



### Gas convection oven

Circulates the air to keep the heat consistent, enhancing the baking or roasting results.



### 6.7 cu. ft. total capacity

#### 2.4 cu. ft. upper oven capacity

Provides additional baking space.

#### 4.3 cu. ft. lower oven capacity

Gives consumers the room they need to cook large meals.



### Deep-recessed cooktop

Helps contain spills in one area for easy cleaning.



### Center oval burner

Adds a fifth burner to the center of the cooktop to accommodate large cookware and deliver ideal results.



### Reversible cast-iron griddle/grill

Provides the flexibility to sear meats on the grill and cook delicate meals on the griddle.



### Tri-ring burner

Features a versatile three-in-one burner design for 19,000 to 20,000 BTUs boiling or gentle 140° simmering.



### PowerBoil™ burner

Delivers 15,000 to 17,000 BTUs of intense heat for rapid boiling.



### Dishwasher-safe, continuous grates

Allow for easy movement of pots and pans between burners and don't require hand-cleaning.



### Baking drawer

Offers an additional 1.0 cu. ft. of capacity for convenient baking from 140° to 450°.

### Removable drawer liner

Provides additional convenience for quick and easy cleaning.



### Precise Simmer burner

Delivers a low setting of 140°, ideal for delicate foods and sauces.



### Self-clean oven with hidden bake oven interior

Conveniently cleans the oven cavity without the need for scrubbing, and the hidden bake element makes cleanup even easier.



### Gas cooktop and oven lockout

Prevents gas flow to cooktop and locks out oven controls, helping prevent unintended activation.



### Black gloss oven interior

Black oven interior adds a stylish touch to any kitchen.



### Certified Sabbath mode

Allows consumers to keep cooked foods warm on the Jewish Sabbath and Jewish holidays.

## Free-standing gas ranges



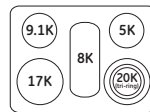
### CGS990

#### GE Café™ 30" double convection oven range

- Double oven 6.7 cu. ft. total capacity—largest capacity in the industry means cooking more at once and in less time
- Gas convection oven—circulates heat for high-quality results
- Self-clean oven—cleans the oven cavity without the need for scrubbing
- Non-stick griddle—ideal for pancakes, bacon, sandwiches and more
- 20,000 BTU tri-ring burner—offers the flexibility of three different burners
- Precise Simmer burner—delivers a low setting of 140°
- Center oval burner—large oval fifth burner is ideal for griddle or odd-size cookware
- Stainless steel, deep-recessed cooktop—contains spills for quick and easy cleaning
- Range lockout—gas burners lock to prevent accidental operation
- Stainless appearance knobs—heavy-duty knobs offer enhanced durability
- Black gloss oven interior—adds a stylish touch to the kitchen
- Optional backguard kit (JXS80) available at additional cost†

 CGS990SETSS

**ADA**  
compliant



Griddle  
accessory  
included

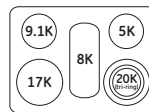


### CGS985

#### GE Café 30" convection range with baking drawer

- Gas convection oven—circulates heat for high-quality results
- **20,000 BTU tri-ring burner—offers the flexibility of three different burners**
- Precise Simmer burner—delivers a low setting of 140°
- Baking drawer—offers an additional 1.0 cu. ft. of capacity for convenient baking from 140° to 450°
- Non-stick griddle—ideal for pancakes, bacon, sandwiches and more
- Center oval burner—large oval fifth burner is ideal for griddle or odd-size cookware
- 5.4 cu. ft. oven capacity—enough room to cook an entire meal at once
- Self-clean oven—cleans the oven cavity without the need for scrubbing
- **Stainless steel, deep-recessed cooktop—contains spills for quick and easy cleaning**
- Stainless appearance knobs—heavy-duty knobs offer enhanced durability
- Optional backguard kit (JXS80) available at additional cost†

 CGS985SETSS



Griddle  
accessory  
included



 Stainless steel

Complete features and specifications on pages 246, 248 and 251.  
**Bold** = feature upgrade from previous model.

\*See page 198 for ADA requirements.

†See page 246 for optional backguard kit (JXS80).

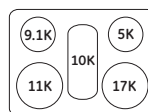


**PGB995**

**GE Profile™ 30" double convection oven range**

- Double oven 6.7 cu. ft. total capacity—largest capacity in the industry means cooking more at once and in less time
- Gas convection oven—circulates heat for high-quality results
- Self-clean oven—cleans the oven cavity without the need for scrubbing
- Reversible cast-iron griddle/grill—provides the flexibility to sear meats and cook delicate meals
- 17,000 BTU PowerBoil™ burner—delivers intense heat for fast boiling
- Precise Simmer burner—delivers a low setting of 140°
- Center oval burner—large oval fifth burner is ideal for griddle or odd-size cookware
- Range lockout—gas burners lock to prevent accidental operation
- Stainless appearance knobs—heavy-duty knobs offer enhanced durability
- Black gloss oven interior—adds a stylish touch to the kitchen

- PGB995SETSS
- PGB995DETWW
- PGB995DETBB



Griddle/grill accessory included

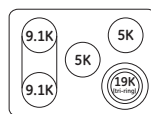


**PGB980**

**GE Profile 30" convection range with baking drawer**

- Gas convection oven—circulates heat for high-quality results
- Stainless steel, deep-recessed cooktop—contains spills for quick and easy cleaning
- Chef's griddle—ideal for complete meals and healthy options
- Tri-bridge burner—extra element ensures even griddle heating
- Self-clean oven—cleans the oven cavity without the need for scrubbing
- 19,000 BTU tri-ring burner—offers the flexibility of three different burners
- Precise Simmer burner—delivers a low setting of 140°
- Baking drawer—offers an additional 1.0 cu. ft. of capacity for convenient baking from 140° to 450°
- Range lockout—gas burners lock to prevent accidental operation
- Stainless appearance knobs—heavy-duty knobs offer enhanced durability

- PGB980SETSS



Chef's griddle accessory included



## Free-standing gas ranges

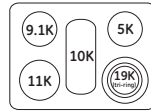


### PGB935

#### GE Profile™ 30" convection range with baking drawer

- Gas convection oven—circulates heat for high-quality results
- Self-clean oven—cleans the oven cavity without the need for scrubbing
- **Stainless steel deep-recessed cooktop—contains spills for quick and easy cleaning**
- 19,000 BTU tri-ring burner—offers the flexibility of three different burners
- Precise Simmer burner—delivers a low setting of 140°
- Reversible cast-iron griddle/grill—provides the flexibility to sear meats and cook delicate meals
- Baking drawer—offers an additional 1.0 cu. ft. of capacity for convenient baking from 140° to 450°
- Range lockout—gas burners lock to prevent accidental operation
- Stainless appearance knobs—heavy-duty knobs offer enhanced durability
- Black gloss oven interior—adds a stylish touch to the kitchen

 PGB935SETSS



Griddle/grill  
accessory  
included



### PGB930

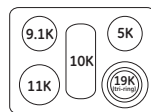
#### GE Profile 30" convection range with baking drawer

- Gas convection oven—circulates heat for high-quality results
- Self-clean oven—cleans the oven cavity without the need for scrubbing
- **19,000 BTU tri-ring burner—offers the flexibility of three different burners**
- Precise Simmer burner—delivers a low setting of 140°
- Reversible cast-iron griddle/grill—provides the flexibility to sear meats and cook delicate meals
- **Baking drawer—offers an additional 1.0 cu. ft. of capacity for convenient baking from 140° to 450°**
- **Range lockout—gas burners lock to prevent accidental operation**
- Stainless appearance knobs—heavy-duty knobs offer enhanced durability
- Black gloss oven interior—adds a stylish touch to the kitchen

 PGB930SETSS

 PGB930DETTWW

 PGB930DETTBB



Griddle/grill  
accessory  
included



 Stainless steel  White on white  Black on black

Complete features and specifications on pages 248 and 251.

118 **Bold** = feature upgrade from previous model.

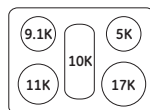


**PGB915**

**GE Profile 30" convection range**

- Gas convection oven—circulates heat for high-quality results
- Self-clean oven—cleans the oven cavity without the need for scrubbing
- 5.4 cu. ft. oven capacity—enough room to cook an entire meal at once
- **Stainless steel deep-recessed cooktop—contains spills for quick and easy cleaning**
- Reversible cast-iron griddle/grill—provides the flexibility to sear meats and cook delicate meals
- 17,000 BTU PowerBoil™ burner—delivers intense heat for fast boiling

 PGB915SETSS





Griddle/grill accessory included

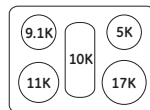


**PGB910**

**GE Profile 30" convection range**

- Gas convection oven—circulates heat for high-quality results
- Self-clean oven—cleans the oven cavity without the need for scrubbing
- 5.4 cu. ft. oven capacity—enough room to cook an entire meal at once
- **Reversible cast-iron griddle/grill—provides the flexibility to sear meats and cook delicate meals**
- 17,000 BTU PowerBoil burner—delivers intense heat for fast boiling
- **Center oval burner—large oval fifth burner is ideal for griddle or odd-size cookware**

-  PGB910SETSS
-  PGB910DETTWW
-  PGB910DETTCC
-  PGB910DETTBB



Griddle/grill accessory included

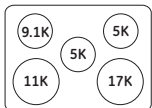


# Free-standing gas ranges



## PGB900 GE Profile™ 30" range

- Self-clean oven—cleans the oven cavity without the need for scrubbing
- 5.4 cu. ft. oven capacity—enough room to cook an entire meal at once
- Deep-recessed cooktop—contains spills in one area for easy cleaning
- Center round burner—fifth burner provides more cooking flexibility
- 17,000 BTU PowerBoil™ burner—delivers intense heat for fast boiling
- Stainless appearance knobs—heavy-duty knobs offer enhanced durability
- Precise Simmer burner—delivers a low setting of 140°

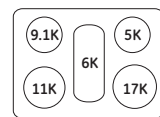


- PGB900SETSS
- PGB900DETWW
- PGB900DETBB



## JGB870 GE® 30" double oven range with convection

- Double oven 6.7 cu. ft. total capacity—large capacity is ideal for big meals
- Gas convection oven—circulates heat for high-quality results
- Self-clean oven—cleans the oven cavity without the need for scrubbing
- 17,000 BTU PowerBoil burner—delivers intense heat for fast boiling
- Non-stick griddle—large non-stick surface perfect for griddle cooking
- Precise Simmer burner—delivers a low setting of 140°



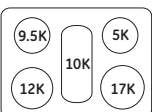
Griddle accessory included

- JGB870SETSS
- JGB870DETWW
- JGB870DETBB



## JGB840 GE 30" convection range with baking drawer

- Stainless steel deep-recessed cooktop—contains spills for quick and easy cleaning
- Gas convection oven—circulates heat for high-quality results
- 5.0 cu. ft. oven capacity—enough room to cook an entire meal at once
- Baking drawer—offers an additional 1.0 cu. ft. of capacity for convenient baking from 140° to 450°
- Reversible cast-iron griddle/grill—provides the flexibility to sear meats and cook delicate meals
- 17,000 BTU PowerBoil burner—delivers intense heat for fast boiling



Griddle/grill accessory included

- JGB840SETSS



## JGB428 GE 30" range

- Gas-on-glass cooktop—sleek and extremely easy to clean
- 5.0 cu. ft. oven capacity—enough room to cook an entire meal at once
- Heavy-cast continuous grates—allow for easy movement of pans between burners
- 15,000 BTU PowerBoil burner—delivers high heat for fast boiling
- Precise Simmer burner—delivers a low setting of 140°
- Stainless appearance knobs—heavy-duty knobs offer enhanced durability



- JGB428SERSS

○ Stainless steel   ○ White on white   ● Black on black

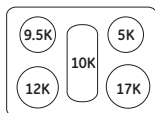
Complete features and specifications on pages 248-249 and 251.





**JGB810**  
GE 30"  
convection range

- **Stainless steel deep-recessed cooktop—contains spills for quick and easy cleaning**
- **Gas convection oven—circulates heat for high-quality results**
- **Self-clean oven—cleans the oven cavity without the need for scrubbing**
- **Reversible cast-iron griddle/grill—provides the flexibility to sear meats and cook delicate meals**
- **17,000 BTU PowerBoil burner—delivers intense heat for fast boiling**
- **Center oval burner—large oval fifth burner is ideal for griddle or odd-size cookware**



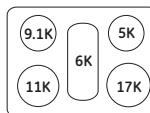
Griddle/grill accessory included

- JGB810SETSS
- JGB810DETWW
- JGB810DETCC
- JGB810DETBB



**JGB600**  
GE 30"  
convection range

- **Gas convection oven—circulates heat for high-quality results**
- **Self-clean oven—cleans the oven cavity without the need for scrubbing**
- **Self-clean heavy-duty oven racks—double-coated racks can stay in the oven during the self-clean cycle**
- **5.0 cu. ft. oven capacity—enough room to cook an entire meal at once**
- **17,000 BTU PowerBoil burner—delivers intense heat for fast boiling**
- **Precise Simmer burner—delivers a low setting of 140°**

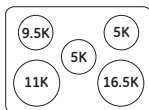


- JGB600SETSS
- JGB600DETWW
- JGB600DETBB



**JGB296**  
GE 30"  
convection range

- **Self-clean oven—cleans the oven cavity without the need for scrubbing**
- **5.0 cu. ft. oven capacity—enough room to cook an entire meal at once**
- **Gas convection oven—circulates heat for high-quality results**
- **16,500 BTU PowerBoil burner—produces fast, intense heat**
- **Center round burner—fifth burner provides more cooking flexibility**
- **Precise Simmer burner—delivers a low setting of 140°**

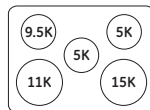


- JGB296SETSS
- JGB296DETWW
- JGB296DETBB



**JGB282**  
GE 30" range

- **Self-clean oven—cleans the oven cavity without the need for scrubbing**
- **5.0 cu. ft. oven capacity—enough room to cook an entire meal at once**
- **15,000 BTU PowerBoil burner—delivers high heat for fast boiling**
- **Center round burner—fifth burner provides more cooking flexibility**
- **Precise Simmer burner—delivers a low setting of 140°**
- **Heavy-cast, continuous grates—allow for easy movement of pans between burners**



- JGB282SETSS
- JGB282DETWW
- JGB282DETBB

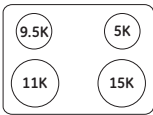
# Free-standing gas ranges



## JGB281 GE® 30" range

- Self-clean oven—cleans the oven cavity without the need for scrubbing
- **5.0 cu. ft. oven capacity**—enough room to cook an entire meal at once
- **Heavy-cast continuous grates**—allow for easy movement of pans between burners
- Deep-recessed cooktop—contains spills in one area for easy cleaning
- **15,000 BTU PowerBoil™ burner**—delivers high heat for fast boiling
- Precise Simmer burner—delivers a low setting of 140°

- JGB281SERSS
- JGB281DERWW
- JGB281DERCC
- JGB281DERBB



## JGBP27 GE 30" range

- Self-clean oven—cleans the oven cavity without the need for scrubbing
- 4.8 cu. ft. capacity—more room for cooking more dishes at once
- **Upfront controls—control panel design makes operation effortless**
- All-purpose burners—deliver a wide range of heat output for most cooking needs
- Sealed cooktop burners—keep spillovers contained on cooktop, making cleaning quick and easy
- Big hearth window—makes the monitoring of foods easy



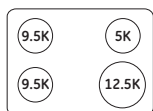
- JGBP27DEMWW



## JGB250 GE 30" range

- **Self-clean oven**—cleans the oven cavity without the need for scrubbing
- 4.8 cu. ft. capacity—more room for cooking more dishes at once
- High-output burner—12,500 BTU burner quickly produces high heat
- Precise Simmer burner—delivers a low setting of 140°
- Big hearth window—makes the monitoring of foods easy

- JGB250SETSS
- SA JGB250GETSA
- JGB250DETWW
- JGB250DETBB



## JGBS23 GE 30" range

- 4.8 cu. ft. capacity—more room for cooking more dishes at once
- **Steam clean oven**—helps to clean with the power of steam
- **High-output burner**—12,500 BTU burner quickly produces high heat
- **Precise Simmer burner**—delivers a low setting of 140°
- Big hearth window—makes the monitoring of foods easy



- JGBS23SETSS
- JGBS23DETWW
- JGBS23DETCC
- JGBS23DETBB

○ Stainless steel   ○ White on white   ○ Bisque on bisque   ● Black on black   ○ SA Silver

Complete features and specifications on pages 249-251.  
**Bold** = feature upgrade from previous model.

\*See page 198 for ADA requirements.



shown in silver



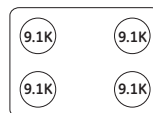
### JGBS18 GE 30" range

- 4.8 cu. ft. capacity—more room for cooking more dishes at once
- Standard-clean oven—smooth surface, rounded corners make cleanup quick and easy
- **Sealed cooktop burners—keep spillovers contained on cooktop, making cleaning quick and easy**
- All-purpose burners—deliver a wide range of heat output for most cooking needs
- **Big hearth window—makes the monitoring of foods easy**

- JGBS18SETSS
- SA JGBS18GETSA
- JGBS18DETWW
- JGBS18DETCC
- JGBS18DETBB



shown in silver



### JGBS07 GE 30" range

- 4.8 cu. ft. capacity—more room for cooking more dishes at once
- All-purpose burners—deliver a wide range of heat output for most cooking needs
- Standard grates—hold cookware securely over burners
- Porcelain oven door—scratch-resistant coating is easy to maintain
- **ClearView™ window—clear window makes monitoring food simple**

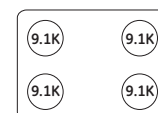
- SA JGBS07SETSA
- JGBS07DETWW
- JGBS07DETCC
- JGBS07DETBB



### JGBS14 GE 30" cordless range

- 4.8 cu. ft. capacity—more room for cooking more dishes at once
- All-purpose burners—deliver a wide range of heat output for most cooking needs
- **Cordless battery ignition—battery-powered ignition safely and conveniently lights the pilot wirelessly**
- **Low battery indicator—indicates when the igniter has a low battery so the pilot light functions properly**
- Porcelain upswept cooktop—raised edges and porcelain-enameled surface make cleaning incredibly easy

- JGBS14PCDWH



### JGAS02 GE 24" range

- Standard-clean oven—smooth surface, rounded corners make cleanup quick and easy
- All-purpose burners—deliver a wide range of heat output for most cooking needs
- Heavy-cast grates—durable cast iron offers lasting performance
- Porcelain upswept cooktop—raised edges and porcelain-enameled surface make cleaning incredibly easy

- JGAS02SENSS

# ADVANTIUM<sup>®</sup> OVENS

A 4-in-1 oven with Speedcook<sup>™</sup> technology means faster foods with slow-cooked taste.



## Explore Advantium ovens



### Four ovens in one

Speedcook oven, True European Convection oven, sensor microwave oven and warming oven provide multiple cooking options.



### Advantium Speedcook technology

Delivers oven-quality food up to eight times faster than a conventional oven. (The Advantium 120 models deliver up to four times faster).



### Preprogrammed recipes

Provides quick and easy access to over 175 pre-set food selections and allows programming of up to 30 custom recipes.



### Glass touch controls

Feature a smooth glass design that is easy to operate and easy to clean.



### Easy Set control dial

Allows quick, accurate adjustment of cooking settings with a simple touch, turn and tap of the dial.



### Stainless steel interior

Durable surface that cleans quickly with a simple wipe of a towel.



### Multi-level cooking

Removable rack allows cooking multiple dishes at once.



### Proof feature

Specialized mode allows dough to rise quickly and efficiently.



### Family-size capacity

Each Advantium has a large 1.7 cu. ft. capacity, allowing you to bake larger quantities of your family's favorites.



Scan this code with your QR reader to learn more.



### JX2201

### GE Profile™ Advantium 240V wall oven storage drawer

- Provides easy storage of Advantium cookware when not being used
  - Full-extension slides for easy access
  - Allows for retrofit into previous 240V Advantium wall oven\* cutout
- \*SCB2000/1 models



JX2201NSS



JX2200NBB

# Advantium® wall ovens



## PSB2201

### GE Profile™ Advantium 240V 30" wall oven

- Speedcook technology—cooks up to 8 times faster than a conventional oven
- 4 ovens in 1 to meet your cooking needs: Speedcook, True European Convection, Warming/Proofing, Sensor Microwave
- Optimizes cook time for consistent results
- Saves valuable time by eliminating preheating
- 16" turntable allows complete rotation of a 9" x 13" casserole dish
- Over 175 preprogrammed recipes
- **Full-width oven rack for multi-level cooking**
- **Includes speedcooking grill tray for preparing grilled items**

- PSB2201NSS
- PSB2200NWW
- PSB2200NBB



See page 125 for optional storage drawer



Shown with optional JX2201 storage drawer

## PSB1201

### GE Profile Advantium 120V 30" wall oven

- Speedcook technology—cooks up to 4 times faster than a conventional oven
- 4 ovens in 1 to meet your cooking needs: Speedcook, True European Convection, Warming/Proofing, Sensor Microwave
- Saves valuable time by eliminating preheating
- 16" turntable allows complete rotation of a 9" x 13" casserole dish
- Over 175 preprogrammed recipes
- Allows up to 30 customized recipes to be saved
- **Allows for use with JX2200/2201 storage drawer**
- **Under-the-counter installation flexibility**

- PSB1201NSS
- PSB1200NWW
- PSB1200NBB



See page 125 for optional storage drawer



## PSB1001

### GE Profile Advantium 120V 27" wall oven

- Speedcook technology—cooks up to 4 times faster than a conventional oven
- 4 ovens in 1 to meet your cooking needs: Speedcook, True European Convection, Warming/Proofing, Sensor Microwave
- Optimizes cook time for consistent results
- Saves valuable time by eliminating preheating
- 16" turntable allows complete rotation of a 9" x 13" casserole dish
- Over 175 preprogrammed recipes
- Allows up to 30 customized recipes to be saved

- PSB1001NSS
- PSB1000NWW
- PSB1000NBB

○ Stainless steel    ○ White    ● Black

Complete features and specifications on page 257.

126 **Bold** = feature upgrade from previous model.

# Advantium above-the-cooktop ovens

Refrigeration

Advantium® ovens

Microwave ovens

Dishwashers

Clothes care

Water heaters

Air conditioning



## PSA2201

### GE Profile Advantium 240V above-the-cooktop oven

- Speedcook technology—cooks up to 8 times faster than a conventional oven
- 4 ovens in 1 to meet your cooking needs: Speedcook, True European Convection, Warming and Sensor Microwave
- Optimizes cook time for consistent results
- Saves valuable time by eliminating preheating
- Over 175 preprogrammed recipes
- Allows up to 30 customized recipes to be saved
- Backlit controls\* are easy to read by displaying highly visible LCD readouts.
- Includes speedcooking grill tray for preparing grilled items

- PSA2201RSS      ● PSA2200RBB
- PSA2200RWW



## PSA1201

### GE Profile Advantium 120V above-the-cooktop oven

- Speedcook technology—cooks up to 4 times faster than a conventional oven
- 4 ovens in 1 to meet your cooking needs: Speedcook, True European Convection, Warming and Sensor Microwave
- Optimizes cook time for consistent results
- Saves valuable time by eliminating preheating
- Over 175 preprogrammed recipes
- Allows up to 30 customized recipes to be saved
- Backlit controls\* are easy to read by displaying highly visible LCD readouts.

- PSA1201RSS      ● PSA1200RBB
- PSA1200RWW



## CSA1201

### GE Café™ Advantium 120V above-the-cooktop oven

- Speedcook technology—cooks up to 4 times faster than a conventional oven
- 4 ovens in 1 to meet your cooking needs: Speedcook, True European Convection, Warming and Sensor Microwave
- Optimizes cook time for consistent results
- Saves valuable time by eliminating preheating
- Over 175 preprogrammed recipes
- Allows up to 30 customized recipes to be saved

- CSA1201RSS



- Stainless steel
- White
- Black

\*Backlit controls are available on GE Profile and Monogram® stainless steel and black above-the-cooktop models only.

# MICROWAVE OVENS

A microwave with power-saving capabilities means it takes less energy to put food on the table.





## Explore Spacemaker® microwave ovens



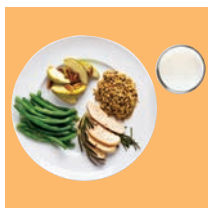
### Easy clean interior

Porcelain enamel interior makes it easier to clean dried-on foods. Non-porous surface also makes cleaning spills and splatters a snap.



### Power Saver mode

This mode delivers a reduction in standby power while the unit is not in use. The clock continues to operate on schedule, while Power Saver is activated and during power failures.



### USDA "MyPlate.gov" menu

5 food groups, 19 foods and 44 pre-programmed food combinations assist in healthy meal preparation.



### Steam cook button

A variety of food selections and power levels help to perfectly prepare steamed favorites, like asparagus, broccoli and more, for maximum nutrition retention.



### Powerful four-speed-with-boost 400-CFM venting fan

Allows you to adjust ventilation levels according to your needs. Boost allows selection of highest CFM with one touch.



### Two-piece design with hidden vent

Creates a streamlined look for a smooth finish and no more reaching into difficult areas to keep your microwave oven spotless.



### Recessed turntable with on/off

Offers the flexibility to use cookware of different sizes. An on/off button controls turntable operation.



### Sensor cooking controls

Automatically adjust time and power for delicious cooking results.

## Microwave ovens



### CVM1790

#### GE Café Spacemaker® 1.7 cu. ft. convection oven

- 1.7 cu. ft. capacity, 1000 watts\*
- **Convection cooking**—breads bake to a golden brown
- Sensor cooking controls—automatically adjust time and power
- **Fast bake**—convection and microwave cooking combine to deliver fast oven-quality results
- **Auto Recipe™ Conversion**—converts standard recipes to convection settings
- **Warming oven**—keeps foods hot and ready to serve
- Full-width hidden vent—integrated design blends in and is easy to clean
- Removable oven rack—allows you to cook large quantities of your family's favorites

○ CVM1790SSSS



### JVM3670

#### GE Profile™ Spacemaker 1.8 cu. ft. 36" sensor oven

- **36"-width installation**—the ideal match for 36" cooktops
- 1.8 cu. ft. capacity, 1100 watts\*
- **Circuwave™** cooking system—delivers fast, more consistent results
- Sensor cooking controls—automatically adjust time and power
- **Active hidden vent**—integrated design blends in and is easy to clean
- 1-lb. **Quick Defrost**—defrosts frozen meat, poultry or fish quickly and evenly
- **14-1/4" recessed turntable**—accommodates large cookware and is easy to clean

○ JVM3670SK

○ JVM3670WF

● JVM3670BF



○ Stainless steel   ○ White   ● Black

Complete features and specifications on pages 259-260.  
**Bold** = feature upgrade from previous model.

\*IEC-705 test procedure



**PVM1790**

**GE Profile Spacemaker 1.7 cu. ft. convection oven**

- 1.7 cu. ft. capacity, 1000 watts\*
- **Convection cooking**—breads bake to a golden brown
- Sensor cooking controls—automatically adjust time and power
- **Fast Bake**—convection and microwave cooking combine to deliver fast oven-quality results
- **Auto Recipe Conversion**—converts standard recipes to convection settings
- **Warming oven**—keeps foods hot and ready to serve
- Full-width hidden vent—integrated design blends in and is easy to clean
- Removable oven rack—allows you to cook large quantities of your family's favorites

- PVM1790SRSS
- PVM1790DRWW
- PVM1790DRCC
- PVM1790DRBB



**PVM2170**

**GE Profile Spacemaker 2.1 cu. ft. sensor oven**

- 2.1 cu. ft. capacity, 1000 watts\*
- Sensor cooking controls—automatically adjusts time and power
- Easy clean interior—makes cleaning spills and splatters a snap
- Power Saver mode—delivers a reduction in power consumption
- USDA "MyPlate.gov" menu—offers healthy pre-programmed food options and recipes
- Steam cook button—perfectly prepare your steamed favorites
- **Easy-set control dial**—makes it easy to program the oven
- Two-piece design with hidden vent—no more reaching into difficult areas to keep your microwave oven spotless

- PVM2170SRSS
- PVM2170DRWW
- PVM2170DRBB

ecomagination



- Stainless steel
- White
- Bisque
- Black

\*IEC-705 test procedure






## Microwave ovens



### PVM1970/PNM1971

#### GE Profile Spacemaker® 1.9 cu. ft. sensor oven

- 1.9 cu. ft. capacity, 1000 watts\*
- Sensor cooking controls—automatically adjusts time and power
- Easy clean interior—makes cleaning spills and splatters a snap
- Power Saver mode—delivers a reduction in power consumption
- USDA “MyPlate.gov” menu—offers healthy pre-programmed food options and recipes
- Steam cook button—perfectly prepare your steamed favorites
- Two-piece design with hidden vent—no more reaching into difficult areas to keep your microwave oven spotless

-  PVM1970SRSS
-  PVM1970DRWW
-  PVM1970DRCC
-  PVM1970DRBB
-  PNM1971SRSS  
(non-vented model)

ecomagination






### JVM2052

#### GE® Spacemaker 2.0 cu. ft. sensor oven

- 2.0 cu. ft. capacity, 1050 watts\*
- Sensor cooking controls—automatically adjust time and power
- Two-line scrolling display—easy-to-read display
- 1-lb. Quick Defrost—defrosts frozen meat, poultry or fish quickly and evenly
- Soften—soften without scorching
- Melt—worry-free melting of butter, caramel, chocolate and cheese
- Recessed turntable with On/Off—controls turntable operation
- Full-width hidden vent—integrated design blends in and is easy to clean
- Five-speed, 300-CFM venting system with boost—removes smoke, steam and odors
- Full-view cooktop lighting—illuminates the cooking surface



-  JVM2052SNSS
-  JVM2052DNWW
-  JVM2052DNBB

 Stainless steel  White  Bisque  Black

Complete features and specifications on pages 260-261.  
**Bold** = feature upgrade from previous model.

\*IEC-705 test procedure

ecomagination—part of the ecomagination kitchen suite of appliances



**JVM1950**  
GE Spacemaker 1.9 cu. ft. sensor oven

- 1.9 cu. ft. capacity, 1000 watts\*
- Sensor cooking controls—automatically adjusts time and power
- Easy clean interior—makes cleaning spills and splatters a snap
- Power Saver mode—delivers a reduction in power consumption
- USDA “MyPlate.gov” menu—offers healthy pre-programmed food options and recipes
- Steam cook button—perfectly prepare your steamed favorites
- Two-piece design with hidden vent—no more reaching into difficult areas to keep your microwave oven spotless

- JVM1950SRSS **ecomagination**
- JVM1950DRWW
- JVM1950DRCC
- JVM1950DRBB



**JNM1951**  
GE Spacemaker 1.9 cu. ft. sensor oven

- 1.9 cu. ft. capacity, 1000 watts\*
- Sensor cooking controls—automatically adjusts time and power
- Easy clean interior—makes cleaning spills and splatters a snap
- Power Saver mode—delivers a reduction in power consumption
- USDA “MyPlate.gov” menu—offers healthy pre-programmed food options and recipes
- Steam cook button—perfectly prepare your steamed favorites
- Two-piece design with hidden vent—no more reaching into difficult areas to keep your microwave oven spotless

- JNM1951SRSS **ecomagination**  
(non-vented model)
- JNM1951DRWW  
(non-vented model)
- JNM1951DRBB  
(non-vented model)



○ Stainless steel    ○ White    ○ Bisque    ● Black

\*IEC-705 test procedure





# Microwave ovens



## JVM1750

### GE Spacemaker® 1.7 cu. ft. sensor oven

- 1.7 cu. ft. capacity, 1000 watts\*
- **Sensor cooking controls—automatically adjust time and power**
- Auto and Time Defrost—defrosting times and power levels are programmed automatically or manually for optimal results
- Recessed turntable with On/Off—controls turntable operation
- Two-speed, 300-CFM venting system—removes smoke, steam and odors
- **Removable two-position oven rack—flexibility to cook large quantities of your family's favorites**
- 30% larger touch pads—large electronic controls are easy to read and easy to operate
- Full-view cooktop lighting—illuminates the cooking surface





-  JVM1750SPSS
-  JVM1750DPWW
-  JVM1750DPCC
-  JVM1750DPBB



## JVM1740

### GE® Spacemaker 1.7 cu. ft. oven

- **1.7 cu. ft. capacity, 1000 watts\***
- Convenience cooking controls—operating made quick and easy
- Auto and Time Defrost—defrosting times and power levels are programmed automatically or manually for optimal results
- Recessed turntable with On/Off—controls turntable operation
- Two-speed, 300-CFM venting system—removes smoke, steam and odors
- Removable oven rack—allows you to cook large quantities of your family's favorites
- 30% larger touch pads—large electronic controls are easy to read and easy to operate

-  JVM1740SPSS
-  JVM1740DPWW
-  JVM1740DPCC
-  JVM1740DPBB



 Stainless steel    White    Bisque    Black







Complete features and specifications on page 261.

\*IEC-705 test procedure



**JVM1540**  
GE Spacemaker 1.5 cu. ft. oven






- 1.5 cu. ft. capacity, 950 watts\*
- Convenience cooking controls—operating made quick and easy
- Auto and Time Defrost—defrosting times and power levels are programmed automatically or manually for optimal results
- Turntable with On/Off—controls turntable operations

-  JVM1540SMSS
-  CS JVM1540LMCS\*\*
-  SA JVM1540MPSA\*\*
-  JVM1540DMWW
-  JVM1540DMCC
-  JVM1540DMBB



**JNM1541**  
GE Spacemaker 1.5 cu. ft. oven

- 1.5 cu. ft. capacity, 950 watts\*
- Convenience cooking controls—operating made quick and easy
- Auto and Time Defrost—defrosting times and power levels are programmed automatically or manually for optimal results
- Turntable with On/Off—controls turntable operations

-  JNM1541SMSS (non-vented model)
-  SA JNM1541MPSA\*\* (non-vented model)
-  JNM1541DMWW (non-vented model)
-  JNM1541DMCC (non-vented model)
-  JNM1541DMBB (non-vented model)



 Stainless steel  CS CleanSteel™  SA Silver  White  Bisque  Black

\*IEC-705 test procedure  
\*\*These models feature a black handle.

# COUNTERTOP MICROWAVE OVENS

A countertop microwave that takes the guesswork out of time and power level settings means you can enjoy foods just the way you like them.



Model shown: PEB1590



### Convection/combination cooking

Combines microwave with traditional radiant heat to bake and roast foods with accuracy.



### Inverter technology

Delivers constant power for precise performance, even on low settings such as "warm."



### Double-grill technology

Uses top and bottom radiant heating elements to ensure even browning on both sides of food.



### Convenience cooking

Offers preprogrammed settings for reheating and defrosting of everyday foods.



### Top-browning capability

Crisps food on the surface by using a top heating element.



### Auto and Time Defrost

Automatically defrosts for a specified amount of time or weight.



### Sensor cooking

Uses built-in sensors to automatically set power and time based on food moisture levels.



### Soften and Melt

Worry-free setting for softening or melting butter, caramel, chocolate, cheese, ice cream and cream cheese.



# Microwave ovens

Refrigeration

Cooking products

Microwave ovens

Dishwashers

Clothes care

Water heaters

Air conditioning



## CEB1590 GE Café™ 1.5 cu. ft. convection oven

- 1.5 cu. ft. capacity, 1000 watts\*\*
- Convection cooking—breads bake to a golden brown
- Sensor cooking controls—automatically adjust time and power
- Easy-set control dial—adjust time and temperature settings
- Optional built-in trim kit†—custom appearance and built-in convenience
- Removable oven rack—allows you to cook large quantities of your family's favorites
- Recessed turntable—maximizes oven space

○ CEB1590SSSS



## PEB1590 GE Profile 1.5 cu. ft. convection oven

- 1.5 cu. ft. capacity, 1000 watts\*\*
- Convection cooking—breads bake to a golden brown
- Sensor cooking controls—automatically adjust time and power
- Easy-set control dial—adjust time and temperature settings
- Optional built-in trim kit†—custom appearance and built-in convenience
- Removable oven rack—allows you to cook large quantities of your family's favorites
- Recessed turntable—maximizes oven space

- PEB1590SMSS
- PEB1590DMWW
- PEB1590DMBB



○ Stainless steel   ○ White   ● Black

Complete features and specifications on page 264.

**Bold** = feature upgrade from previous model.

\*See page 198 for ADA requirements.

**Note:** Model must be in built-in configuration to be ADA compliant.

\*\*IEC-705 test procedure

†Optional trim kits available in 27" and 30" configurations sold separately. Refer to page 263 for installation options and model numbers.

# Microwave ovens



## PEB2060

### GE Profile™ 2.0 cu. ft. sensor oven

- 2.0 cu. ft. capacity, 1200 watts\*\*
- Sensor cooking controls—automatically adjust time and power
- Optional built-in trim kit†—custom appearance and built-in convenience
- Auto and Time Defrost—defrosting times and power levels are programmed automatically or manually for optimal results
- **Extra-large 16" turntable—rotates food throughout the cycle and accommodates large cookware**
- Instant On controls—one-touch instant operation
- Control lockout—helps prevent accidental activation

- PEB2060SMSS
- PEB2060DMWW
- PEB2060DMCC
- PEB2060DMBB



## PEM31

### GE Profile 1.0 cu. ft. sensor oven

- 1.0 cu. ft. capacity, 800 watts\*\*
- **Optional built-in trim kit†—custom appearance and built-in convenience**
- **Optional hanging kit††—frees up counter space**
- Sensor cooking controls—automatically adjust time and power
- Auto and Time Defrost—defrosting times and power levels are programmed automatically or manually for optimal results
- Turntable On/Off—controls turntable operation
- Instant On controls—one-touch instant operation
- Control lockout—helps prevent accidental activation

- PEM31SMSS
- PEM31DMWW
- PEM31DMCC
- PEM31DMBB



- Stainless steel
- White
- Bisque
- Black

Complete features and specifications on pages 262 and 264.

**Bold** = feature upgrade from previous model.

\*See page 198 for ADA requirements.

138 **Note:** Model must be in built-in configuration to be ADA compliant.

\*\*IEC-705 test procedure

†Optional trim kits available in 27" and 30" configurations sold separately. Refer to pages 262-263 for installation options and model numbers.

††Optional undercabinet mounting kit sold separately.

Refer to page 262 for installation options and model numbers.



**JES2251**

**GE Profile 2.2 cu. ft. inverter oven**

- 2.2 cu. ft. capacity, 1200 watts\*\*
- Inverter technology—consistent heat for better results
- Sensor cooking controls—automatically adjust time and power
- Full stainless steel exterior—stainless wraps all the way around the exterior for a stylish appearance
- Auto and Time Defrost—defrosting times and power levels are programmed automatically or manually for optimal results
- Warming oven—keeps foods hot and ready to serve
- Extra-large 16" turntable—rotates food throughout the cycle and accommodates large cookware
- Instant On controls—one-touch instant operation
- Control lockout—helps prevent accidental activation

 JES2251SJ



Model shown with optional trim kit JX2030SMSS

**JEB1860**

**GE® 1.8 cu. ft. sensor oven**

- 1.8 cu. ft. capacity, 1100 watts\*\*
- Sensor cooking controls—automatically adjust time and power
- Auto and Time Defrost—defrosting times and power levels are programmed automatically or manually for optimal results
- Optional built-in trim kit\*—custom appearance and built-in convenience
- Turntable On/Off—controls turntable operation
- Instant On controls—one-touch instant operation
- Control lockout—helps prevent accidental activation

-  JEB1860SMSS
-  JEB1860DMWW
-  JEB1860DMBB



 Stainless steel    White    Black

# Microwave ovens



Model shown with installed hanging kit JXA019K

Model shown with optional trim kit JX827DMWW

## JEM25

### GE Spacemaker II™ 1.0 cu. ft. oven

- 1.0 cu. ft. capacity, 800 watts\*\*
- **Optional built-in trim kit†**—custom appearance and built-in convenience
- **Optional hanging kit††**—frees up counter space
- Convenience cooking controls—operating made quick and easy
- Auto and Time Defrost—defrosting times and power levels are programmed automatically or manually for optimal results
- **Turntable On/Off**—controls turntable operation
- Instant On controls—one-touch instant operation

○ JEM25DMWW

● JEM25DMBB



## JES2051

### GE® 2.0 cu. ft. sensor oven

- 2.0 cu. ft. capacity, 1200 watts\*\*
- Sensor cooking controls—automatically adjust time and power
- Auto and Time Defrost—defrosting times and power levels are programmed automatically or manually for optimal results
- **Extra-large 16" turntable—rotates food throughout the cycle and accommodates large cookware**
- Instant On controls—one-touch instant operation
- Control lockout—helps prevent accidental activation
- Timer On/Off—minute timer helps keep you on track

○ JES2051SNSS

○ JES2051DNWW

● JES2051DNBB



○ Stainless steel    ○ White    ● Black

Complete features and specifications on pages 262-264.

**Bold** = feature upgrade from previous model.

\*See page 198 for ADA requirements.

140 **Note:** Model must be in built-in configuration to be ADA compliant.

\*\*IEC-705 test procedure

†Optional trim kits available in 27" and 30" configurations sold separately. Refer to pages 262-263 for installation options and model numbers.

††Optional undercabinet mounting kit sold separately.

Refer to page 262 for installation options and model numbers.



**JES1656**  
GE 1.6 cu. ft. sensor oven

- 1.6 cu. ft. capacity, 1150 watts\*\*
- Sensor cooking controls—automatically adjust time and power
- Auto and Time Defrost—defrosting times and power levels are programmed automatically or manually for optimal results
- Turntable—rotates food throughout the cycle
- Instant On controls—one-touch instant operation
- Control lockout—helps prevent accidental activation

○ JES1656SRSS

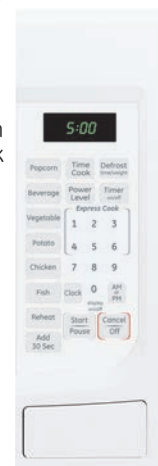


**JES1460**  
GE 1.4 cu. ft. sensor oven

- 1.4 cu. ft. capacity, 1100 watts\*\*
- Sensor cooking controls—automatically adjust time and power
- Auto and Time Defrost—defrosting times and power levels are programmed automatically or manually for optimal results
- Turntable—rotates food throughout the cycle
- Instant On controls—one-touch instant operation
- Control lockout—helps prevent accidental activation
- Timer On/Off—minute timer helps keep you on track

○ JES1460DSWW

● JES1460DSBB



○ Stainless steel    ○ White    ● Black

# Microwave ovens



## JES1380 GE® 1.3 cu. ft. oven

- 1.3 cu. ft. capacity, 1000 watts\*
- Convenience cooking controls—operating made quick and easy
- **1100 watts grilling power—brings out the flavor in burgers, pork chops, chicken breasts and more**
- Auto and Time Defrost—defrosting times and power levels are programmed automatically or manually for optimal results
- Turntable—rotates food throughout the cycle
- Instant On controls—one-touch instant operation
- Control lockout—helps prevent accidental activation
- Timer On/Off—minute timer helps keep you on track

● JES1380DRBB

Available Summer 2012



## JES1142 GE 1.1 cu. ft. oven

- 1.1 cu. ft. capacity, 1000 watts\*
- Convenience cooking controls—operating made quick and easy
- **Full stainless steel exterior with sleek controls—stainless wraps all the way around the exterior for a stylish appearance**
- Auto and Time Defrost—defrosting times and power levels are programmed automatically or manually for optimal results
- Turntable—rotates food throughout the cycle
- Instant On controls—one-touch instant operation
- Control lockout—helps prevent accidental activation

○ JES1142SPSS



## JES1139 GE 1.1 cu. ft. oven

- **1.1 cu. ft. capacity, 1000 watts\***
- Convenience cooking controls—operating made quick and easy
- Auto and Time Defrost—defrosting times and power levels are programmed automatically or manually for optimal results
- Turntable—rotates food throughout the cycle
- Instant On controls—one-touch instant operation
- Control lockout—helps prevent accidental activation
- Kitchen timer—minute timer helps keep you on track

○ JES1139DSWW

● JES1139DSBB



○ Stainless steel    ○ White    ● Black

Complete features and specifications on page 265.

142 **Bold** = feature upgrade from previous model.

\*IEC-705 test procedure

\*\*Optional undercabinet mounting kit sold separately. Refer to page 265 for installation options and model numbers.



Model shown with optional hanging kit JKA019K

**JE740**  
GE 0.7 cu. ft. oven

- 0.7 cu. ft. capacity, 700 watts\*
- **Optional hanging kit\*\*—frees up counter space**
- Convenience cooking controls—operating made quick and easy
- Auto and Time Defrost—defrosting times and power levels are programmed automatically or manually for optimal results
- Turntable—rotates food throughout the cycle
- Instant On controls—one-touch instant operation
- Control lockout—helps prevent accidental activation

- JE740DRWW
- JE740DRBB



**JES0736**  
GE 0.7 cu. ft. oven

- 0.7 cu. ft. capacity, 700 watts\*
- Convenience cooking controls—operating made quick and easy
- **Stainless steel—both stylish and easy to clean**
- Auto and Time Defrost—defrosting times and power levels are programmed automatically or manually for optimal results
- Turntable—rotates food throughout the cycle
- Control lockout—helps prevent accidental activation
- Kitchen timer—minute timer helps keep you on track

- JES0736SPSS



**JES0738**  
GE 0.7 cu. ft. oven

- 0.7 cu. ft. capacity, 700 watts\*
- Convenience cooking controls—operating made quick and easy
- Auto and Time Defrost—defrosting times and power levels are programmed automatically or manually for optimal results
- Turntable—rotates food throughout the cycle
- Control lockout—helps prevent accidental activation
- Kitchen timer—minute timer helps keep you on track

- JES0738DPWW
- JES0738DPBB



# DISHWASHERS

A dishwasher with an advanced cleaning system means dishes are completely clean the first time.





# Explore the dishwasher



**Only GE has it!**  
**Self-cleaning 5-stage filtration**  
 The PureClean system's multiple filtration levels with Piranha™ hard-food disposer ensure clean dishes.



Scan this code to learn how GE makes your dishes sparkle.



**Only GE has it!**  
**Steam Prewash option**  
 Helps to loosen tough, baked-on soils before any cycle, virtually eliminating the need for soaking or pre-rinsing dishes.



**Dedicated silverware jets**  
 Spray jets target the silverware area for improved cleaning.



**Two-pump system**  
 One efficient pump for washing and rinsing and one powerful low-energy pump to remove soils thoroughly clean dishes and reduce overall sound.



**Heated dry with fan-assist**  
 A heating element heats the air inside the tub, while a small fan helps circulate the air for fast drying performance.



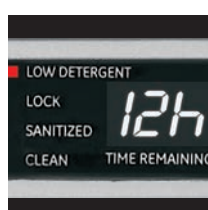
**Ultra-premium, full-extension racks with ball-tip tines**  
 Durable racks glide smoothly on ball bearings for easy loading.



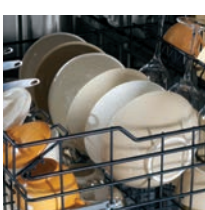
**Only GE has it!**  
**SmartDispense™ technology**  
 Holds up to 47 fl. oz. of detergent and automatically dispenses it throughout the entire cycle.



**Angled, full-length fold-down tines**  
 Flexible loading options in the lower rack handle today's dishes and cookware of all shapes and sizes.



**Only GE has it!**  
**Low-detergent LED**  
 Illuminates when approximately 3-7 washes remain in the SmartDispense reservoir, so you know when it is time to refill.



**Upper rack deep-bowl tines**  
 Oversized bowls fit perfectly in the top rack for easy cleaning.



**Only GE has it!**  
**DeepClean™ cycle**  
 Uses the power of steam and SmartDispense to virtually eliminate tough soils like egg, rice and oatmeal.



**Sanitize cycle**  
 High-temperature rinse sanitizes and reduces 99.999% of bacteria found on dishes.

Not all features available on all models.

## Built-in dishwashers



### CDWT980V

#### GE Café™ stainless interior dishwasher with hidden controls and SmartDispense™

- 5-stage filtration with Piranha™ hard-food disposer—5 self-cleaning filters ensure clean dishes
- Dedicated silverware jets—highly pressurized spray jets target the silverware area for improved cleaning
- **DeepClean™ cycle with Steam Prewash**—removes tough, baked-on soils like egg, rice and oatmeal
- Fan-assist dry with heated option and ActiveVent—a heating element heats the air inside while a hidden fan circulates the warm air to help dry dishes
- **Four-position adjustable upper nylon rack with StemSafe™**—provides loading versatility for today's dishes and up to 16 place settings
- **Angled, full-length fold-down tines**—flexible loading options handle dinnerware and cookware of all shapes and sizes
- **SmartDispense technology**—conveniently stores up to 47 oz. of liquid detergent and automatically dispenses multiple doses in each cycle
- Eclipse black full-extension racks with ball-tip tines—ultra-premium, durable racks glide smoothly on ball bearings for easy loading



CDWT980VSS

ecomagination



### CDWT280V

#### GE Café stainless interior dishwasher with hidden controls

- 5-stage filtration with Piranha hard-food disposer—5 self-cleaning filters ensure clean dishes
- Dedicated silverware jets—highly pressurized spray jets target the silverware area for improved cleaning
- Steam Prewash—loosens tough soils before any cycle, virtually eliminating the need for soaking or pre-rinsing dishes
- Fan-assist dry with heated option and ActiveVent—a heating element heats the air inside while a hidden fan circulates the warm air to help dry dishes
- Eclipse black full-extension racks with ball-tip tines—ultra-premium, durable racks glide smoothly on ball bearings for easy loading
- Nylon racking with deep-tiered upper rack—provides loading versatility for today's dishes and up to 16 place settings
- Auto wash cycle—automatically adjusts to soil level to maximize energy savings and ensure clean dishes
- Sanitize cycle (NSF residential)—high-temperature rinse sanitizes and reduces 99.999% of bacteria found on dishes
- Flexible racks with deep-bowl tines—designed for today's dishes and hold up to 16 place settings



CDWT280VSS

ecomagination



Stainless steel

Complete features and specifications on page 266.

**Bold** = feature upgrade from previous model.



NSF/ANSI Standard 184 for Residential Dishwashers. Certified residential dishwashers are not intended for licensed food establishments. All GE Profile and GE Café dishwashers are NSF-certified to sanitize.



**PDWT580V**

**GE Profile™ stainless interior dishwasher with hidden controls and SmartDispense**

- 5-stage filtration with Piranha hard-food disposer—5 self-cleaning filters ensure clean dishes
- Dedicated silverware jets—highly pressurized spray jets target the silverware area for improved cleaning
- **DeepClean cycle with Steam Prewash**—removes tough, baked-on soils like egg, rice and oatmeal
- **SmartDispense technology**—conveniently stores up to 47 oz. of liquid detergent and automatically dispenses multiple doses in each cycle
- **Top Rack Only selection**—upper-rack-only cycle uses less water than a full load
- Eclipse black full-extension racks with ball-tip tines—ultra-premium, durable racks glide smoothly on ball bearings for easy loading
- Lower rack full-length fold-down tines—flexible loading options handle today's dishes and cookware of all shapes and sizes

○ PDWT580VSS      **ecomagination**

○ PDWT500VWW

● PDWT500VBB

**PDWT502VII**—custom panel model (requires custom panel and handle, not provided)



**PDWT480V**

**GE Profile stainless interior dishwasher with hidden controls**

- 5-stage filtration with Piranha hard-food disposer—5 self-cleaning filters ensure clean dishes
- Dedicated silverware jets—highly pressurized spray jets target the silverware area for improved cleaning
- Steam Prewash—loosens tough soils before any cycle, virtually eliminating the need for soaking or pre-rinsing dishes
- **Four-position adjustable upper nylon rack with nylon StemSafe**—provides loading versatility for today's dishes and up to 16 place settings
- Countdown display with 1-24-hour Delay Start—wash dishes at any time
- **Two multi-position fold-down tines in upper rack**—provide additional flexibility for loading odd-shaped items
- Eclipse black full-extension racks with ball-tip tines—ultra-premium, durable racks glide smoothly on ball bearings for easy loading
- Fan-assist dry with heated option and ActiveVent—a heating element heats the air inside while a hidden fan circulates the warm air to help dry dishes
- Angled, full-length fold-down tines—flexible loading options handle today's dishes and cookware of all shapes and sizes

○ PDWT480VSS      **ecomagination**



○ Stainless steel    ○ White    ● Black

# Built-in dishwashers



## PDWT302V

### GE Profile™ stainless interior dishwasher with hidden controls and SmartDispense™

- 5-stage filtration with Piranha™ hard-food disposer—5 self-cleaning filters ensure clean dishes
- Dedicated silverware jets—highly pressurized spray jets target the silverware area for improved cleaning
- **DeepClean™ cycle with Steam Prewash**—removes tough, baked-on soils like egg, rice and oatmeal
- **SmartDispense technology**—conveniently stores up to 47 oz. of liquid detergent and automatically dispenses multiple doses in each cycle
- **Lower rack full-length fold-down tines**—flexible loading options handle today's dishes and cookware of all shapes and sizes
- **3-piece silverware basket**—secures silverware in multiple baskets that can be separated for ultimate flexibility
- Eclipse black full-extension racks with ball-tip tines—ultra-premium, durable racks glide smoothly on ball bearings for easy loading



PDWT380VSS

ecomagination



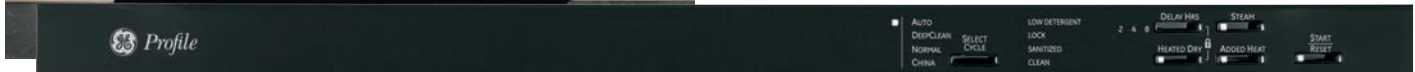
PDWT300VWW



PDWT300VBB



PDWT302VII—custom panel model (requires custom panel and handle, not provided)



## PDWT280V

### GE Profile stainless interior dishwasher with hidden controls

- **GE Profile color-matched controls and top and bottom bevels**—controls match exterior and bevels add a designer look
- 5-stage filtration with Piranha hard-food disposer—5 self-cleaning filters ensure clean dishes
- Dedicated silverware jets—highly pressurized spray jets target the silverware area for improved cleaning
- Steam Prewash—loosens tough soils before any cycle, virtually eliminating the need for soaking or pre-rinsing dishes
- **Fan-assist dry with heated option and ActiveVent**—a heating element heats the air inside while a hidden fan circulates the warm air to help dry dishes
- Full-extension racks with ball-tip tines—ultra-premium, durable racks glide smoothly on ball bearings for easy loading
- Eclipse black nylon racking with deep-tiered upper rack—provides loading versatility for up to 16 place settings
- Flexible racks with deep-bowl tines—designed for today's dishes and hold up to 16 place settings
- Auto wash cycle—automatically adjusts to soil level to maximize energy savings and ensure clean dishes



PDWT280VSS

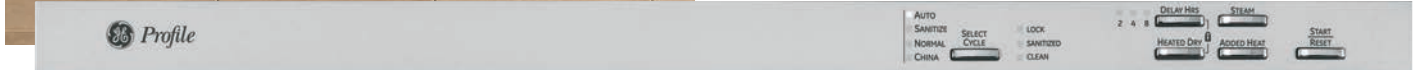
ecomagination



PDWT200VWW



PDWT200VBB



Stainless steel
 White
 Black

Complete features and specifications on pages 267–268.  
**Bold** = feature upgrade from previous model.



NSF/ANSI Standard 184 for Residential Dishwashers. Certified residential dishwashers are not intended for licensed food establishments. All GE Profile dishwashers are NSF-certified to sanitize.



**PDWT180V**

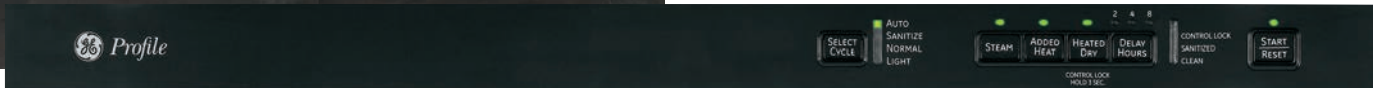
**GE Profile stainless interior dishwasher with hidden controls**

- 5-stage filtration with Piranha hard-food disposer—5 self-cleaning filters ensure clean dishes
- Dedicated silverware jets—highly pressurized spray jets target the silverware area for improved cleaning
- Steam Prewash—loosens tough soils before any cycle, virtually eliminating the need for soaking or pre-rinsing dishes
- **Full-extension racks with ball-tip tines—ultra-premium, durable racks glide smoothly on ball bearings for easy loading**
- Eclipse black nylon racking with deep-tiered upper rack—provides loading versatility for up to 16 place settings
- Flexible racks with deep-bowl tines—designed for today's dishes and hold up to 16 place settings
- Auto wash cycle—automatically adjusts to soil level to maximize energy savings and ensure clean dishes
- Sanitize cycle (NSF residential)—high-temperature rinse sanitizes and reduces 99,999% of bacteria found on dishes
- Natural convection heated dry option—a drying element effectively dries dishes, reducing the need to towel dry after unloading

○ PDWT180VSS    **ecomagination**     

○ PDWT100VWW    

● PDWT100VBB



**GDWT668V**

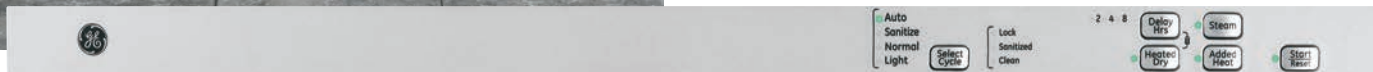
**GE® stainless interior dishwasher with hidden controls**

- 5-stage filtration with Piranha hard-food disposer—5 self-cleaning filters ensure clean dishes
- Dedicated silverware jets—highly pressurized spray jets target the silverware area for improved cleaning
- Steam Prewash—loosens tough soils before any cycle, virtually eliminating the need for soaking or pre-rinsing dishes
- **Fan-assist dry with heated option and ActiveVent—a heating element heats the air inside while a hidden fan circulates the warm air to help dry dishes**
- **GE premium color-matched controls—controls match exterior for a designer look**
- Full-extension racks—ultra-premium, durable racks glide smoothly on ball bearings for easy loading
- Angled, full-length fold-down tines—flexible loading options handle today's dishes and cookware of all shapes and sizes
- Pearlescent gray nylon racks with ball-tip tines—long-lasting, durable racks resist rusting, chipping and peeling
- Auto wash cycle—automatically adjusts to soil level to maximize energy savings and ensure clean dishes

○ GDWT668VSS    **ecomagination**     

○ GDWT608VWW    

● GDWT608VBB



○ Stainless steel    ○ White    ● Black

## Built-in dishwashers



### GDWT368V

GE® stainless interior dishwasher with hidden controls

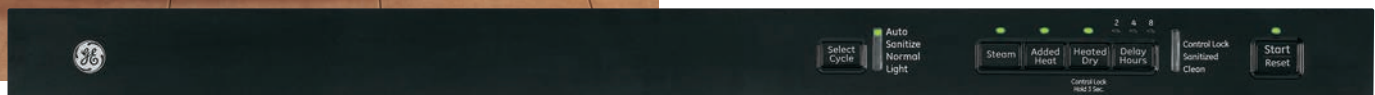
- 5-stage filtration with Piranha™ hard-food disposer—5 self-cleaning filters ensure clean dishes
- Dedicated silverware jets—highly pressurized spray jets target the silverware area for improved cleaning
- Steam Prewash—loosens tough soils before any cycle, virtually eliminating the need for soaking or pre-rinsing dishes
- **Angled, full-length fold-down tines—flexible loading options handle today's dishes and cookware of all shapes and sizes**
- Full-extension racks—ultra-premium, durable racks glide smoothly on ball bearings for easy loading
- Flexible racks with deep-bowl tines—designed for today's dishes and hold up to 16 place settings
- Pearlescent gray nylon deep-tiered rack with ball-tip tines and StemSafe™—long-lasting, durable racks resist rust and secure dishes
- Auto wash cycle—automatically adjusts to soil level to maximize energy savings and ensure clean dishes
- Natural convection heated dry option—a drying element effectively dries dishes, reducing the need to towel dry after unloading

 GDWT368VSS

 GDWT308VWW

 GDWT308VBB

ecomagination



### GDWT166V

GE stainless interior dishwasher with hidden controls and recessed handle

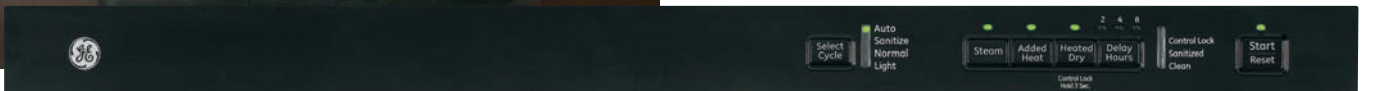
- **Recessed handle—provides unique look with the flexibility to install the dishwasher in corners adjacent to cabinets**
- 5-stage filtration with Piranha hard-food disposer—5 self-cleaning filters ensure clean dishes
- Dedicated silverware jets—highly pressurized spray jets target the silverware area for improved cleaning
- Steam Prewash—loosens tough soils before any cycle, virtually eliminating the need for soaking or pre-rinsing dishes
- Full-extension racks—ultra-premium, durable racks glide smoothly on ball bearings for easy loading
- Flexible racks with deep-bowl tines—designed for today's dishes and holds up to 16 place settings
- Auto wash cycle—automatically adjusts to soil level to maximize energy savings and ensure clean dishes
- Pearlescent gray nylon deep-tiered rack with ball-tip tines and StemSafe—long-lasting, durable racks resist rust and secure dishes

 GDWT166VSS

 GDWT106VWW

 GDWT106VBB

ecomagination



 Stainless steel  White  Black

Complete features and specifications on pages 268-269.  
**Bold** = feature upgrade from previous model.



NSF/ANSI Standard 184 for Residential Dishwashers. Certified residential dishwashers are not intended for licensed food establishments. Select GE dishwashers are NSF-certified to sanitize.



**GDWF160V**  
GE stainless interior dishwasher with front controls

- Bright stainless steel interior—attractive interior provides long-lasting durability
- 5-stage filtration with Piranha hard-food disposer—5 self-cleaning filters ensure clean dishes
- Dedicated silverware jets—highly pressurized spray jets target the silverware area for improved cleaning
- Steam Prewash—loosens tough soils before any cycle, virtually eliminating the need for soaking or pre-rinsing dishes
- Full-extension racks—ultra-premium, durable racks glide smoothly on ball bearings for easy loading
- Natural convection heated dry option with ActiveVent—a drying element effectively dries dishes, reducing the need to towel dry after unloading
- Pearlescent gray nylon racks with ball-tip tines and StemSafe—long-lasting, durable racks resist rusting, chipping and peeling

GDWF160VSS

GDWF100VWW

GDWF100VBB



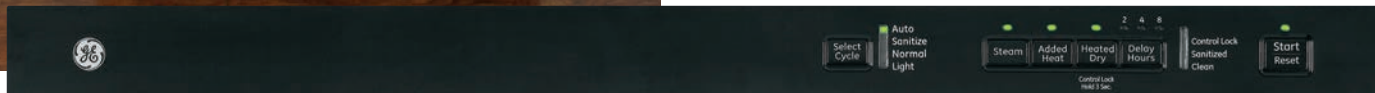
**GLD7768V**  
GE tall tub built-in dishwasher

- 5-stage filtration with Piranha hard-food disposer—5 self-cleaning filters ensure clean dishes
- Dedicated silverware jets—highly pressurized spray jets target the silverware area for improved cleaning
- Steam Prewash—loosens tough soils before any cycle, virtually eliminating the need for soaking or pre-rinsing dishes
- 6-level towerless wash system—3 wash arms with 6 wash levels quietly direct water onto dishes for a powerful clean
- Four-position adjustable upper rack—provides loading flexibility for today's dishes
- Angled, full-length fold-down tines—flexible loading options handle today's dishes and cookware of all shapes and sizes
- Pearlescent gray nylon deep-tiered upper rack with ball-tip tines and StemSafe—long-lasting, durable racks resist rust and secure dishes

GLD7768VSS

GLD7708VWW

GLD7708VBB



Stainless steel
 
 White
 
 Black

## Built-in dishwashers



### GLD5808V

GE® tall tub dishwasher with hidden controls and auto wash cycle

- 5-stage filtration with Piranha™ hard-food disposer—5 self-cleaning filters ensure clean dishes
- Dedicated silverware jets—highly pressurized spray jets target the silverware area for improved cleaning
- Steam Prewash—loosens tough soils before any cycle, virtually eliminating the need for soaking or pre-rinsing dishes
- 6-level towerless wash system—3 wash arms with 6 wash levels quietly direct water onto dishes for a powerful clean
- **Auto wash cycle—automatically adjusts to soil level to maximize energy savings and ensure clean dishes**
- **Flexible racks with deep-bowl tines—nylon-coated racks with ball-tip tines hold today's dishes and up to 16 place settings**
- Pearlescent gray nylon deep-tiered rack with StemSafe™—long-lasting, durable racks resist rust and secure dishes

- GLD5868VSS
- GLD5808VWW
- GLD5808VBB

ecomagination



### GLD5708V

GE tall tub dishwasher with hidden controls and towel bar handle

- 5-stage filtration with Piranha hard-food disposer—5 self-cleaning filters ensure clean dishes
- Dedicated silverware jets—highly pressurized spray jets target the silverware area for improved cleaning
- Steam Prewash—loosens tough soils before any cycle, virtually eliminating the need for soaking or pre-rinsing dishes
- 6-level towerless wash system—3 wash arms with 6 wash levels quietly direct water onto dishes for a powerful clean
- PermaTuf® gray tub—heavy-duty material is designed for years of dependability and has an attractive finish
- Pearlescent gray nylon deep-tiered rack with StemSafe—long-lasting, durable nylon-coated racks resist rust and secure dishes
- CleanSensor™—a sensitive laser monitors soil level and temperature, adjusting water and time for optimal cleaning results

- GLD5768VSS
- GLD5708VWW
- GLD5708VBB

ecomagination



- Stainless steel
- White
- Black

Complete features and specifications on page 269.

**Bold** = feature upgrade from previous model.



NSF/ANSI Standard 184 for Residential Dishwashers. Certified residential dishwashers are not intended for licensed food establishments. (Excludes GLDA696P series.)

Select GE dishwashers are NSF-certified to sanitize.









### GLD5606V

GE tall tub dishwasher with hidden controls and recessed handle

- Recessed handle—provides unique look with the flexibility to install the dishwasher in corners adjacent to cabinets
- 5-stage filtration with Piranha hard-food disposer—5 self-cleaning filters ensure clean dishes
- Dedicated silverware jets—highly pressurized spray jets target the silverware area for improved cleaning
- Steam Prewash—loosens tough soils before any cycle, virtually eliminating the need for soaking or pre-rinsing dishes
- 6-level towerless wash system—3 wash arms with 6 wash levels quietly direct water onto dishes for a powerful clean
- PermaTuf gray tub—heavy-duty material is designed for years of dependability and has an attractive finish
- Pearlescent gray nylon deep-tiered rack with StemSafe—long-lasting, durable nylon-coated racks resist rust and secure dishes

-  GLD5666VSS
-  GLD5606VWW
-  GLD5606VCC
-  GLD5606VBB





ecomagination



### GLD5604V

GE tall tub dishwasher

- 5-stage filtration with Piranha hard-food disposer—5 self-cleaning filters ensure clean dishes
- Dedicated silverware jets—highly pressurized spray jets target the silverware area for improved cleaning
- Steam Prewash—loosens tough soils before any cycle, virtually eliminating the need for soaking or pre-rinsing dishes
- 6-level towerless wash system—3 wash arms with 6 wash levels quietly direct water onto dishes for a powerful clean
- Pearlescent gray nylon deep-tiered rack with StemSafe—long-lasting, durable nylon-coated racks resist rust and secure dishes
- Angled, full-length fold-down tines—flexible loading options handle today's dishes and cookware of all shapes and sizes

-  GLD5664VSS
-  GLD5604VWW
-  GLD5604VCC
-  GLD5604VBB

ecomagination



-  Stainless steel
-  White
-  Bisque
-  Black

## Built-in dishwashers



### GLD2800V GE® tall tub dishwasher

- 5-stage filtration with Piranha™ hard-food disposer—5 self-cleaning filters ensure clean dishes
- Dedicated silverware jets—highly pressurized spray jets target the silverware area for improved cleaning
- 4-level towerless wash system—2 wash arms with 4 wash levels quietly direct water onto dishes for a powerful clean
- CleanSensor™—a sensitive laser monitors soil level and temperature, adjusting water and time for optimal cleaning results
- Natural convection heated dry option—a drying element effectively dries dishes, reducing the need to towel dry after unloading
- Up to 12-place-setting capacity white titanium racking—provides flexibility to wash a variety of dishes at once and tall items in the lower rack with ease

○ GLD2800VWW

● GLD2800VBB

ecomagination

ONLY  
59 dBA



○ White ● Black

Complete features and specifications on pages 268–269.  
**Bold** = feature upgrade from previous model.

\*See page 198 for ADA requirements.



NSF/ANSI Standard 184 for Residential Dishwashers. Certified residential dishwashers are not intended for licensed food establishments. Select GE dishwashers are NSF-certified to sanitize.

# Built-in ADA-compliant dishwashers

Refrigeration

Cooking products

Microwave ovens

Dishwashers

Clothes care

Water heaters

Air conditioning



## GLDT696D

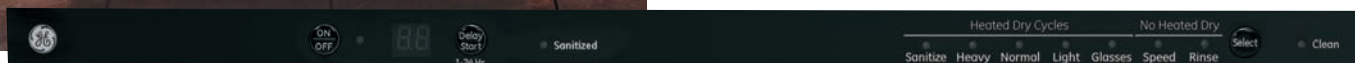
### GE stainless interior dishwasher with hidden controls

- Bright stainless steel interior—attractive interior provides long-lasting durability
- **Hidden electronic controls—hidden controls for a sleek appearance**
- Low-profile installation capable—great for raised sub-floors and 34" countertop heights
- Gray nylon racks—long-lasting, durable racks resist rusting, chipping and peeling
- Two utility shelves in upper rack with StemSafe™—conveniently flip down to handle tall items and protect stemware
- **2-digit countdown display with 1-24-hour Delay Start—wash dishes at your convenience and monitor the progress**
- Audible end-of-cycle signal—alert signals when cycle is complete

○ GLDT696DSS      **ecomagination**

○ GLDT690DWW

● GLDT690DBB     



## GLDA696P

### GE stainless interior dishwasher with front controls

- Bright stainless steel interior—attractive interior provides long-lasting durability
- **Low-profile installation capable—great for raised sub-floors and 34" countertop heights**
- Gray nylon racks—long-lasting, durable racks resist rusting, chipping and peeling
- Two utility shelves in upper rack with StemSafe—conveniently flip down to handle tall items and protect stemware
- 2-digit countdown display with 2/4/8-hour Delay Start—wash dishes at your convenience and monitor the progress
- Electronic controls with 4 cycles/4 options—allow you to select the combination that best cleans your dishes

○ GLDA696PSS          

○ GLDA690PWW

● GLDA690PBB



○ Stainless steel    ○ White    ● Black

## Built-in standard-tub dishwashers



### GSD4060D

#### GE® dishwasher with electronic controls

- 5-level PowerScrub™ wash system with PowerShower—powerful wash cleans dishes thoroughly
- Two-stage filtration with ExtraFine™ filter—extra filtration keeps water clean
- Piranha™ hard-food disposer—grinds food into small particles that are washed away
- HotStart™ option—provides optimal water temperature for dependable performance
- **Electronic controls**—controls are easy to read and easy to use
- **2/4/8-hour Delay Start**—wash dishes at your convenience
- **Control lock**—helps protect against accidental activation
- **China/Crystal cycle**—cleans and protects delicate dishware



GSD4060DSS

ecomagination



GSD4000DWW



GSD4000DBB



### GSD2100V

#### GE dishwasher

- 4-level PowerScrub wash system—powerful wash cleans dishes thoroughly
- Two-stage filtration with ExtraFine filter—extra filtration keeps water clean
- Piranha hard-food disposer—grinds food into small particles that are washed away
- HotStart option—provides optimal water temperature for dependable performance
- Rinse only—pre-rinses dishes while waiting to wash a full load
- **Short wash**—great for quickly washing loads of everyday dishes or a quick load of glassware



GSD2100VWW

ecomagination



GSD2100VCC



GSD2100VBB



Stainless steel
 White
 Bisque
 Black

Complete features and specifications on page 270.

**Bold** = feature upgrade from previous model.

# Convertible dishwashers

Refrigeration

Cooking products

Microwave ovens

Dishwashers

Clothes care

Water heaters

Air conditioning



## GLC5604V

### GE tall tub convertible dishwasher

- Woodgrain laminate top—creates a durable, attractive surface
- 5-stage filtration with Piranha hard-food disposer—5 self-cleaning filters ensure clean dishes
- Dedicated silverware jets—highly pressurized spray jets target the silverware area for improved cleaning
- Steam Prewash—loosens tough soils before any cycle, virtually eliminating the need for soaking or pre-rinsing dishes
- CleanSensor™—a sensitive laser monitors soil level and temperature, adjusting water and time for optimal cleaning results
- Natural convection heated dry option—a heating element effectively dries dishes, reducing the need to towel dry after unloading
- SaniWash Cycle (NSF residential)—high-temperature rinse sanitizes and reduces 99.999% of bacteria found on dishes

Portable now...built-in later.

○ GLC5604VWW
● GLC5604VBB
ecomagination
ENERGY STAR
ONLY 57 dBA



## GSC3500D

### GE convertible dishwasher

- Woodgrain laminate top—creates a durable, attractive surface
- 5-level PowerScrub wash system with PowerShower—powerful wash cleans dishes thoroughly
- Two-stage filtration with ExtraFine filter—extra filtration keeps water clean
- Piranha hard-food disposer—grinds food into small particles that are washed away
- Pots and Pans cycle—removes difficult soils from cookware
- Up to 12-place-setting capacity racking—provides flexibility to wash a variety of dishes at once

Portable now...built-in later.

○ GSC3500DWW
● GSC3500DBB
ecomagination
ENERGY STAR
ONLY 64 dBA



○ White ● Black

# GE Spacemaker® dishwashers

## PDW1860N

### GE Profile™ Spacemaker 18" dishwasher

- Bright stainless steel interior—attractive interior provides long-lasting durability
- **Hidden electronic controls**—hidden controls for a sleek appearance
- Low-profile installation capable—great for raised sub-floors and 34" countertop heights
- Gray nylon racks—long-lasting, durable racks resist rusting, chipping and peeling
- **SpeedCycle™**—fast wash cycle saves time
- **Glasses cycle**—effectively cleans a full load of glassware
- **Air-Dry cycle**—uses less energy without a heated dry
- **1-24-hour Delay Start**—wash dishes at any time



○ PDW1860NSS

ZBD1850NII\*\*  
(custom panel)

\*\*Requires custom panel and handle, not provided.



ecomagination



## GSM1860N

### GE® Spacemaker 18" dishwasher

- Bright stainless steel interior—attractive interior provides long-lasting durability
- Low-profile installation capable—great for raised sub-floors and 34" countertop heights
- White nylon racks—long-lasting, durable racks resist rusting, chipping and peeling
- Full-length flat door—blends in with surrounding cabinetry
- Removable upper rack—pulls out completely to allow for washing large items
- **China/Crystal cycle**—cleans and protects delicate dishware



○ GSM1860NSS

○ GSM1800NWW

● GSM1800NBB

ecomagination



○ Stainless steel    ○ White    ● Black

Complete features and specifications on pages 270-273.  
**Bold** = feature upgrade from previous model.

\*See page 198 for ADA requirements.

## Under-the-sink dishwasher



### GSM2200V

#### GE Spacemaker under-the-sink dishwasher

- **Spacemaker upper rack**—maximizes space without losing cabinets
- Two-stage filtration with ExtraFine™ filter—extra filtration keeps water clean
- Piranha™ hard-food disposer—grinds food into small particles that are washed away
- HotStart™ option—provides optimal water temperature for dependable performance
- Deluxe silverware basket—provides convenient space and capacity to clean silverware efficiently



○ GSM2260VSS

ecomagination



○ GSM2200VWW

● GSM2200VBB

**Note:** Under-the-sink dishwasher can be installed under GE cooktop models JP256, JP201C and JP202D. Refer to cooktop installation instructions. Requires centered or offset single or double bowl sink. See page 271 for more information. (Sold separately)

## Compactor



### GCG1580R

#### GE Profile built-in compactor

- Stainless door with sculptured handle—designed to coordinate beautifully with other GE Profile appliances
- Hidden controls—controls are hidden behind the compactor door, lending a beautiful designer appearance
- Built-in only—built into adjacent cabinetry for an upscale appearance
- 1.4 cu. ft. capacity—provides plenty of room for waste items or recyclables
- 1/3 HP motor—powerful motor provides maximum compacting power
- Toe pedal opener—hands-free toe pedal drawer makes it easy to open and load

○ GCG1580RSS

○ GCG1500RWW

● GCG1500RBB

ZCGP150RII\* (custom panel)  
\*Requires custom panel and handle, not provided.



**Reduces volume by 75%!**

○ Stainless steel   ○ White   ● Black

Refrigeration

Cooking products

Microwave ovens

Dishwashers

Clothes care

Water heaters

Air conditioning

# DISPOSERS

A disposer with fast speeds and powerful torque adds a new spin to your daily cleanup.



Model shown: GFC720V



### DC (direct current) motor

Quickly hits max speed and high torque so foods are less likely to jam or clog.



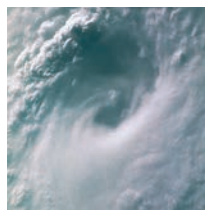
### High torque

Offers motors with high horsepower that can handle tough jobs.



### DrainBoost™ technology

An angled fin pumps water down with more force to help clear drains and reduce clogs.



### High RPM

Can reach speeds over 3500 RPM compared to 1725 RPM of other brands for a faster, finer grind.



### Stainless steel impellers

Made with heavy-duty steel to last for years.



### Septic safe

Guaranteed to be safe for your septic system.



# Disposers



## GFC1020V

GE® continuous feed disposer

- Heavy-duty 1 HP motor
- Over 3500-RPM grinding action\*
- Super capacity
- DrainBoost technology
- Sound reduction technology
- Stainless steel, dual-swivel, anti-jam grinding blades



## GFC520V

GE continuous feed disposer

- Heavy-duty 1/2 HP motor
- Over 2800-RPM grinding action\*
- Large capacity
- DrainBoost technology
- Stainless steel, dual-swivel, anti-jam grinding blades

**GFC525V**  
Similar to GFC520V with attached line cord.



## GFC720V

GE continuous feed disposer

- Heavy-duty 3/4 HP motor
- Over 3100-RPM grinding action\*
- Super capacity
- DrainBoost technology
- Sound reduction technology
- Stainless steel, dual-swivel, anti-jam grinding blades



## GFC320V

GE continuous feed disposer

- 1/3 HP motor
- Over 2500-RPM grinding action\*
- Large capacity
- DrainBoost technology
- Stainless steel, dual-swivel, anti-jam grinding blades

**GFC325V**  
Similar to GFC320V with attached line cord.



## GFC530V

GE continuous feed disposer

- Heavy-duty 1/2 HP motor
- Over 2800-RPM grinding action\*
- **Extra-large capacity**
- DrainBoost technology
- **Sound reduction technology**
- Stainless steel, dual-swivel, anti-jam grinding blades

**GFC535V**  
Similar to GFC530V with attached line cord.



## GFB760V

GE batch feed disposer

- Batch feed operation
- Heavy-duty 3/4 HP motor
- 3100-RPM grinding action
- Super capacity
- Sound reduction technology
- Stainless steel, dual-swivel, anti-jam grinding blades

\*Based on RPM testing of cleared GE and competitive models.

# FRONTLOAD CLOTHES CARE

The largest capacity clothes care system makes light of your dirty work, getting every load thoroughly clean.



# Explore frontload clothes care systems

## Washer features



### Overnight Ready

A small load of clothes is washed and ready to wear in 8 hours or less without changing the load from the washer to the dryer.



◀ Scan this code with your QR reader to learn more.



### 4.3 DOE\* cu. ft. stainless steel capacity

Tilted stainless steel basket handles big loads, reducing the total time you spend in the laundry room.



### SteamRefresh/Steam Assist

SteamRefresh helps reduce wrinkles and odors and rejuvenates clothes, while Steam Assist penetrates fabrics to dissolve soils and helps remove tough stains.



### Adaptive Vibration Control

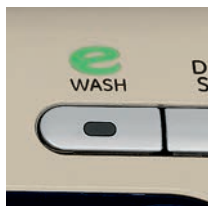
Considers floor type and location of washer in the home to adapt and optimize spin patterns, reducing vibration and sound.

◀ Scan this code with your QR reader to learn more.



### Specialty cycles

24 specialty cycles provide specific care for performance fabrics, fleece, comforters, pet bedding, athletic shoes, hosiery and bras.



### eWash option

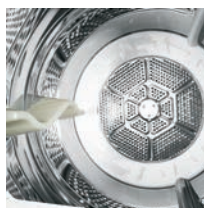
Energy-saving option uses a cold-water wash on select cycles without sacrificing performance.



### SmartDispense™ technology\*\*

Pedestal holds up to 6 months of detergent\*\*\* and 95 ounces of fabric softener\*\*\* and dispenses the right amount at the right time.

## Dryer features



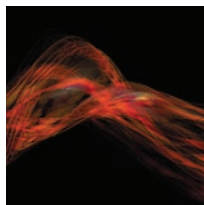
### 7.5 cu. ft. stainless steel capacity

Stainless steel drum can take on everything the washer sends its way.



### SteamRefresh/Steam Dewrinkle

SteamRefresh helps reduce wrinkles and odors and rejuvenates clothes. Steam Dewrinkle conveniently helps reduce wrinkles and freshens your clean clothes.



### DuoDry™ system

Dual motors, dual moisture sensors and dual thermistors monitor air temperature and provide even heat.



### eDry option

Energy-saving option reduces dry temperatures on select cycles without sacrificing performance.



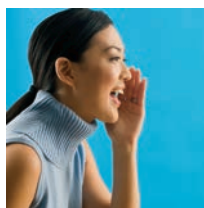
### Fastest, most even dryer available

The GE Profile™ frontload dryer is the fastest premium dryer you can buy and provides the most even drying performance available among premium frontload matching dryers.<sup>1</sup>



### Baffle Dry

Built-in drying rack and hanger clip design add drying options for hard-to-dry items and delicates.



### CleanSpeak™ communication system

The washer communicates electronically with the dryer to preset dry cycles and help save time.

\*Department of Energy.

\*\*SmartDispense technology is not available without a SmartDispense pedestal which must be purchased separately.

\*\*\*Based on an 8-lb. AHAM load, 10 loads per week.

<sup>1</sup>Among premium frontload matching dryers, fastest drying performance is based on a 9-lb. standard load and 100% initial moisture content. Most even drying performance is based on a percentage of remaining moisture content.

# High-efficiency clothes care systems



Shown with optional pedestal SPBD880JMG

## PFWS4605L

### GE Profile™ 4.3 DOE\*\* cu. ft. stainless steel capacity frontload washer with steam and SmartDispense™ technology\*\*\*

- **Overnight Ready**—a small load of clothes is washed and ready to wear in 8 hours or less without changing load from the washer to the dryer
- SteamRefresh helps reduce wrinkles and odors and rejuvenates clothes
- Steam Assist penetrates fabrics to dissolve soils and helps remove tough stains
- ENERGY STAR® qualified/CEE Tier III†—meets or exceeds federal guidelines for energy efficiency for year-round energy and money savings
- Adaptive Vibration Control—considers floor type and location of washer in the home to adapt and optimize spin patterns, reducing vibration and sound
- eWash option—energy-saving option uses a cold-water wash on select cycles without sacrificing performance
- **Specialty cycles**—performance fabrics, fleece, pet bedding—provide superior care for specific items
- **SmartDispense technology\*\*\***—pedestal holds up to 6 months of detergent†† and 95 ounces of fabric softener and dispenses the right amount at the right time
- **Stain Inspector™** stain removal system treats stains based on fabric type and stain
- **1300-RPM spin speed**—fast spin speeds remove water efficiently and minimize dry time



- PFWS4600LWW
- PFWS4605LMG



ecomagination



## SPBD880J

### GE Profile SmartDispense frontload washer pedestal

- Automatically dispenses detergent and fabric softener based on:
  - Size of load
  - Selected soil level
  - Type of fabric or cycle
  - Hardness of water
- Includes Stain Inspector—treats stains based on fabric type and stain
- Holds up to 6-month supply of detergent††
- Holds 95 ounces of fabric softener
- Sold separately

- SPBD880JWW
- SPBD880JMG

○ White ● Champagne

Complete features and specifications on page 274.  
**Bold** = feature upgrade from previous model.

\*See page 198 for ADA requirements.

\*\*Department of Energy.

\*\*\*SmartDispense technology is not available without a SmartDispense pedestal which must be purchased separately.

†In accordance with CEE High Efficiency specifications for residential clothes washers (effective 1/1/2011).

††Based on an 8-lb. AHAM load, 10 loads per week.

ecomagination—a GE initiative to meet today's environmental challenges



Shown with optional pedestal SPSD157JMG

**PFDS455EL/GL**

**GE Profile 7.5 cu. ft. stainless steel capacity frontload dryer with steam technology**

- SteamRefresh helps reduce wrinkles and odors and rejuvenates clothes
- Steam Dewrinkle reduces wrinkles and freshens clean clothes
- DuoDry™ heat management system—dual motors, dual moisture sensors, dual thermistors, variable heater—provides excellent drying performance
- eDry option—energy-saving option reduces dry temperatures on select cycles without sacrificing performance
- Specialty cycles—performance fabrics, fleece, pet bedding—provide superior care for specific items
- Baffle dry rack and hook system—retractable rack and hook handle delicate items
- CleanSpeak™ washer/dryer communication—washer communicates electronically with the dryer to preset dry cycles and help save time
- Speed Dry quickly dries items and small loads for families on the go
- Reverse tumble—changing directions provides even drying
- 150 ft. venting—long ducting provides flexible installation



- PFDS450ELWW (Electric)
- PFDS450GLWW (Gas)
- PFDS455ELMG (Electric)
- PFDS455GLMG (Gas)



**SPSD157J**

**GE Profile 15" frontload storage pedestal**

- Flexible multi-use storage
- Accommodates large additive bottles
- Sold separately

- SPSD157JWW
- SPSD157JMG

# High-efficiency clothes care systems



○ GFWS3500LWW



Shown with optional pedestal SBS137HWW

## GFWS3500L

GE® 4.1 DOE\*\* cu. ft. stainless steel capacity frontload washer with steam

- **SteamRefresh helps reduce wrinkles and odors and rejuvenates clothes**
- Steam Assist penetrates fabrics to dissolve soils and helps remove tough stains
- eWash option—energy-saving option uses a cold-water wash on select cycles without sacrificing performance
- ENERGY STAR® qualified/CEE Tier III\*\*\*—meets or exceeds federal guidelines for energy efficiency for year-round energy and money savings
- Adaptive Vibration Control—considers floor type and location of washer in the home to adapt and optimize spin patterns, reducing vibration and sound



○ GFDS350ELWW (Electric)  
GFDS350GLWW (Gas)



Shown with optional pedestal SBS137HWW

## GFDS350EL/GL

GE 7.5 cu. ft. stainless steel capacity frontload dryer with steam

- **SteamRefresh helps reduce wrinkles and odors and rejuvenates clothes**
- Steam Dewrinkle reduces wrinkles and freshens clean clothes
- HE SensorDry™ with dual thermistors continually monitors moisture and temperature to prevent clothing wear and tear due to over-drying and inconsistent heat
- Speed Dry quickly dries items and small loads for families on the go
- eDry option—energy-saving option reduces dry temperatures on select cycles without sacrificing performance
- Active wear cycle—optimized cycle for knits, athletic wear and elastics
- My Cycle—choose cycle for specific needs
- Delay start—set the dryer to begin cycles whenever it's convenient for you



○ GFWH2400LWW



Discontinues June 2012  
Shown with optional pedestal SBS137HWW

## GFWH2400L

GE 4.1 DOE\*\* cu. ft. stainless steel capacity frontload washer

- HydroHeater™ internal water heater boosts water temperatures and helps achieve sanitization
- eWash option—energy-saving option uses a cold-water wash on select cycles without sacrificing performance
- ENERGY STAR qualified/CEE Tier III\*\*\*—meets or exceeds federal guidelines for energy efficiency for year-round energy and money savings
- **Adaptive Vibration Control—considers floor type and location of washer in the home to adapt and optimize spin patterns, reducing vibration and sound**



○ GFDN240ELWW (Electric)  
GFDN240GLWW (Gas)



Discontinues June 2012  
Shown with optional pedestal SBS137HWW

## GFDN240EL/GL

GE 7.0 cu. ft. stainless steel capacity frontload dryer

- HE SensorDry with dual thermistors continually monitors moisture and temperature to prevent clothing wear and tear due to over-drying and inconsistent heat
- eDry option—energy-saving option reduces dry temperatures on select cycles without sacrificing performance
- **Active wear cycle—optimized cycle for performance fabrics including UV-coated clothing, moisture-wicking athletic wear, and wrinkle-guarded fabrics**
- My Cycle—choose cycle for specific needs
- Speed Dry quickly dries items and small loads for families on the go
- Delay start—set the dryer to begin cycles whenever it's convenient for you
- Up to 90 ft. venting—ducting provides flexible installation

○ White

Complete features and specifications on pages 275 and 276.  
**Bold** = feature upgrade from previous model.

\*See page 198 for ADA requirements.

\*\*Department of Energy.

\*\*\*In accordance with CEE High Efficiency specifications for residential clothes washers (effective 1/1/2011).

ecomagination—a GE initiative to meet today's environmental challenges



GFWN1100LWW  
Discontinues June 2012



**GFWN1100L**  
GE 3.5 DOE\*\* cu. ft. stainless steel capacity frontload washer

- HydroMotion™ wash action—reversing tumble provides thorough cleaning
- PerfectTemp™ ensures water temperature matches cycle selection
- Load-sensing adaptive fill matches water fill to each load
- 7 wash cycles handle various fabrics and soils
- 3 wash/rinse temperatures regulate hot water temperatures
- 1000-RPM spin speed—fast spin speeds remove water efficiently and minimize dry time
- QuietBalance II suspension system helps reduce vibration for quiet operation
- 13" pedestal SBSD137HWW sold separately



GFDN110ELWW (Electric)  
GFDN110GLWW (Gas)  
Discontinues June 2012



**GFDN110EL/GL**  
GE 7.0 cu. ft. capacity DuraDrum™ frontload dryer

- DuraDrum provides long-lasting dependability
- HE SensorDry with dual thermistors continually monitors moisture and temperature to prevent clothing wear and tear due to over-drying and inconsistent heat
- 4 custom heat settings provide the right temperature for the right drying results
- 10 dry cycles—additional cycles for your clothes-drying needs
- 13" pedestal SBSD137HWW sold separately



GFWS1500DWW



Shown with optional pedestal SBSD137HWW

**GFWS1500D**  
GE 4.0 DOE\*\* cu. ft. stainless steel capacity frontload washer with steam

- Stain Wash tackles the toughest stains, from fresh grass stains to food spills
- HydroHeater internal water heater boosts water temperatures and helps achieve sanitization
- Steam Assist penetrates fabrics to dissolve soils and helps remove tough stains
- eWash option—energy-saving option uses a cold-water wash on select cycles without sacrificing performance
- Bulky/Bedding cycle washes larger items, such as comforters, blankets and jackets
- ENERGY STAR qualified/CEE Tier III\*\*\*—meets or exceeds federal guidelines for energy efficiency for year-round energy and money savings
- Vibration Control adjusts spin patterns for each floor type for a smoother wash without walking or shaking



GFDS150EDWW (Electric)  
GFDS150GDWW (Gas)



Shown with optional pedestal SBSD137HWW

**GFDS150ED/GD**  
GE 7.5 cu. ft. stainless steel capacity frontload dryer with steam

- Stainless steel drum resists rust and helps protect clothes
- HE SensorDry with dual thermistors continually monitors moisture and temperature to prevent clothing wear and tear due to over-drying and inconsistent heat
- Steam Dewrinkle reduces wrinkles and freshens clean clothes
- Speed Dry quickly dries items and small loads for families on the go
- eDry option—energy-saving option reduces dry temperatures on select cycles without sacrificing performance
- Bulky/Bedding cycle dries larger items, such as comforters, blankets and jackets

○ White

# High-efficiency clothes care systems



○ GFWH1400DWW



ecomagination

Shown with optional pedestal SBS137HWW

## GFWH1400D

GE® 4.0 DOE\*\* cu. ft. stainless steel capacity frontload washer

- Stain Wash tackles the toughest stains, from fresh grass stains to food spills
- HydroHeater™ internal water heater boosts water temperatures and helps achieve sanitization
- eWash option—energy-saving option uses a cold-water wash on select cycles without sacrificing performance
- **Bulky/Bedding cycle washes larger items, such as comforters, blankets and jackets**
- ENERGY STAR® qualified/CEE Tier III\*\*\*—meets or exceeds federal guidelines for energy efficiency for year-round energy and money savings
- Vibration Control adjusts spin patterns for each floor type for a smoother wash without walking or shaking



○ GFDS140EDWW (Electric)  
GFDS140GDWW (Gas)



Shown with optional pedestal SBS137HWW

## GFDS140ED/GD

GE 7.0 cu. ft. capacity DuraDrum™ frontload dryer with steam

- DuraDrum provides long-lasting dependability
- HE SensorDry™ with dual thermistors continually monitors moisture and temperature to prevent clothing wear and tear due to over-drying and inconsistent heat
- **Steam Dewrinkle reduces wrinkles and freshens clean clothes**
- Speed Dry quickly dries items and small loads for families on the go
- eDry option—energy-saving option reduces dry temperatures on select cycles without sacrificing performance
- **Bulky/Bedding cycle dries larger items, such as comforters, blankets and jackets**



○ GFWH1200DWW



ecomagination

Shown with optional pedestal SBS137HWW

## GFWH1200D

GE 3.6 DOE\*\* cu. ft. stainless steel capacity frontload washer

- **Stain Wash tackles the toughest stains, from fresh grass stains to food spills**
- HydroHeater internal water heater boosts water temperatures and helps achieve sanitization
- **eWash option—energy-saving option uses a cold-water wash on select cycles without sacrificing performance**
- ENERGY STAR qualified/CEE Tier III\*\*\*—meets or exceeds federal guidelines for energy efficiency for year-round energy and money savings
- **Vibration Control adjusts spin patterns for each floor type for a smoother wash without walking or shaking**



○ GFDN120EDWW (Electric)  
GFDN120GDWW (Gas)



Shown with optional pedestal SBS137HWW

## GFDN120ED/GD

GE 7.0 cu. ft. capacity DuraDrum frontload dryer

- DuraDrum provides long-lasting dependability
- HE SensorDry with **dual thermistors** continually monitors moisture and temperature to prevent clothing wear and tear due to over-drying and inconsistent heat
- **Speed Dry quickly dries items and small loads for families on the go**
- **eDry option—energy-saving option reduces dry temperatures on select cycles without sacrificing performance**
- 4 heat selections provide the right temperatures for your clothes-drying needs

○ White

Complete features and specifications on pages 275-277.  
**Bold** = feature upgrade from previous model.

\*See page 198 for ADA requirements.

\*\*Department of Energy.

\*\*\*In accordance with CEE High Efficiency specifications for residential clothes washers (effective 1/1/2011).

ecomagination—a GE initiative to meet today's environmental challenges





○ WCVH4800KWW



ecomagination

### WCVH4800K

GE 2.2 DOE\*\* cu. ft. stainless steel capacity 24" frontload washer

- HydroMotion™ wash action—reversing tumble provides thorough cleaning
- HydroHeater internal water heater boosts incoming water temperatures and helps achieve sanitization
- 1400-RPM spin speed—fast spin speeds remove water efficiently and minimize dry time
- 5 wash/spin speed combinations match speeds to selected fabric type



○ DCVH480EKWW (Electric)



### DCVH480EK

GE 4.0 cu. ft. stainless steel capacity 24" frontload electric dryer

- 5 heat selections offer enhanced drying performance
- HE SensorDry continually monitors moisture and temperature to prevent clothing wear and tear due to over-drying and inconsistent heat
- Stainless steel drum resists rust and helps protect clothes
- Multiple dry cycles deliver optimal drying results
- Cycle countdown display with LED indicators shows exactly how much time is left for each cycle with bright display and lights
- Delay start sets the dryer to begin cycles whenever it's convenient for you



○ DCCH480EKWW (Electric)



### DCCH480EK

GE 4.0 cu. ft. stainless steel capacity 24" ventless condenser frontload electric dryer

- 5 heat selections offer enhanced drying performance
- HE SensorDry continually monitors moisture and temperature to prevent clothing wear and tear due to over-drying and inconsistent heat
- Stainless steel drum resists rust and helps protect clothes
- Multiple dry cycles deliver optimal drying results
- Cycle countdown display with LED indicators shows exactly how much time is left for each cycle with bright display and lights
- Delay start sets the dryer to begin cycles whenever it's convenient for you

# TOPLOAD CLOTHES CARE

Washers and dryers with larger capacities mean you can clean anything from camisoles to bedding with confidence.



# Explore topload clothes care

## Washer features



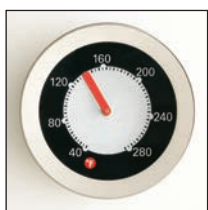
### 4.5 DOE\* cu. ft. stainless steel washer capacity

Our largest capacity available means you can do more laundry in fewer loads.



### TidalWave wash system

Waves of water combined with Infusor™ technology and a centrifusion wash action help detergent and water flow through fabrics for a gentle and complete clean.



### HydroHeater™ internal water heater

Boosts water temperatures and helps achieve sanitization.



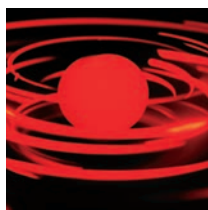
### QuietClose hydraulic glass lid with extra-wide opening

Hydraulic tension allows the lid to close gently.



### Speed Wash

Provides a quick wash for lightly soiled items that are needed in a hurry.



### 1010 RPM

Fast spin speeds remove water efficiently and minimize dry time.



### Specialty cycles

Special cycles that include washable wools, jeans, towels and sheets provide superior care for your specific items.

## Dryer features



### HE SensorDry™

Uses dual sensors and thermistors to monitor moisture levels and maintain consistent temperature inside the drum, turning off the dryer when the clothes reach the desired level of dryness.



### SteamRefresh/Steam Dewrinkle

SteamRefresh reduces wrinkles and odors and rejuvenates clothes. Steam Dewrinkle conveniently helps reduce wrinkles and freshens your clean clothes.



### Duct sensing

Provides an alert when ducting needs to be cleaned to help ensure the dryer is operating efficiently.



### Antibacterial option

Extends heating cycle time to reduce certain types of bacteria by 99.99%\*\*



### Digital countdown display

Electronic display knows exactly how much dry time remains.



### Speed dry

Quickly dries items and small loads for families on the go.



### Delay start

Set the dryer to begin cycles whenever it's convenient for you.

\*Department of Energy.

\*\*The antibacterial cycle is certified by NSF International to NSF Protocol P9 Sanitation Performance of Residential Clothes Dryers.

# GE Profile Harmony™ clothes care system



## PTWN8055M

### GE Profile Harmony 4.5 DOE\* cu. ft. stainless steel capacity washer

- ENERGY STAR® qualified/CEE Tier II\*\*—meets or exceeds federal guidelines for energy efficiency for year-round energy and money savings
- TidalWave wash system—waves of water combined with a powerful wash action help detergent and water flow through fabrics for a gentle, yet complete, clean
- HydroHeater™ internal water heater boosts incoming water temperatures and helps achieve sanitization
- QuietClose hydraulic glass lid with extra-wide opening allows the lid to close gently
- Lifetime warranty on the stainless wash basket and a limited 10-year parts warranty provide peace of mind and dependability (see warranty for details)
- Flow-Thru™ dispensing system releases detergent and additives at ideal time
- Speed Wash provides a quick wash for lightly soiled items that are needed in a hurry
- Handwash cycle—gentle cleaning cycle helps handle special-care items
- My Cycle—choose cycle for specific needs
- Inlet hoses included



- PTWN8050MWW
- PTWN8055MMS



ecomagination



### PTDS855EM/GM

## GE Profile Harmony 7.3 cu. ft. stainless steel capacity dryer with steam

- SteamRefresh helps reduce wrinkles, odors and rejuvenates clothes
- Steam Dewrinkle reduces wrinkles and freshens clean clothes
- **Comforter Refresh—steam cycle refreshes bedding**
- HE SensorDry™ with dual thermistors continually monitors moisture and temperature to prevent clothing wear and tear due to over-drying and inconsistent heat
- **Duct sensing provides an alert when ducting needs to be cleaned**
- Deluxe dryer rack allows tumble-free drying
- Antibacterial option reduces certain types of bacteria by 99.99%\*\*\*
- **Digital countdown display—electronic display lets you know exactly how much dry time remains**
- LED electronic controls with cycle countdown indicate remaining cycle time
- **Speed Dry—quickly dries items and small loads for families on the go**
- **My Cycle—choose cycle for specific needs**
- Delicate cycle helps protect delicate fabrics



#### Steam Dryer

- PTDS850EMWW (Electric)
- PTDS850GMWW (Gas)
- PTDS855EMMS (Electric)
- PTDS855GMMS (Gas)

#### Non-Steam Dryer

- PTDN800EMWW (Electric)
- PTDN800GMWW (Gas)
- PTDN805EMMS (Electric)
- PTDN805GMMS (Gas)

○ White    ● Metallic silver

\*Department of Energy.

\*\*In accordance with CEE High Efficiency specifications for residential clothes washers (effective 1/1/2011).

\*\*\*The antibacterial cycle is certified by NSF International to NSF Protocol P9 Sanitation Performance of Residential Clothes Dryers.

# Washers



## GTWN5550D

### GE® 4.0 DOE\* cu. ft. stainless steel capacity washer

- ENERGY STAR® qualified/CEE Tier II\*\*—meets or exceeds federal guidelines for energy efficiency for year-round energy and money savings
- **Infusor™ wash system uses HE detergent, requiring less water than a traditional topload washer**
- **LED electronic controls with cycle countdown display show exactly how much time is left for each cycle**
- **eWash option—energy saving option uses a cold-water wash on select cycles without sacrificing performance**
- **eMonitor—an electronic readout shows the exact efficiency of each cycle so the user can decide how they want to wash each load**
- **20 wash cycles handle various fabrics and soils**
- PreciseFill—washer will automatically measure the load size and add just the right amount of water
- Bleach and fabric softener dispensers automatically operate with wash cycle
- 700-RPM spin speed—fast spin speeds remove water efficiently and minimize dry times



○ GTWN5550DWW



ecomagination



## GTWN5250D

### GE 3.9 DOE\* cu. ft. stainless steel capacity washer

- ENERGY STAR qualified—meets or exceeds federal guidelines for energy efficiency for year-round energy and money savings
- **HydroWave® Quiet Agitator Wash System with dual-action agitator—longer, slower\*\*\* travel provides gentle, thorough cleaning**
- Rotary electronic controls with cycle status lights provide accurate cycle times
- 10 wash cycles handle various fabrics and soils
- PreciseFill with the option of 4 water level selections will automatically measure the load size and add just the right amount of water
- Bleach and fabric softener dispensers automatically operate with wash cycle
- 700-RPM spin speed—fast spin speeds remove water efficiently and minimize dry times



○ GTWN5250DWW



ecomagination



○ White

Complete features and specifications on page 279.

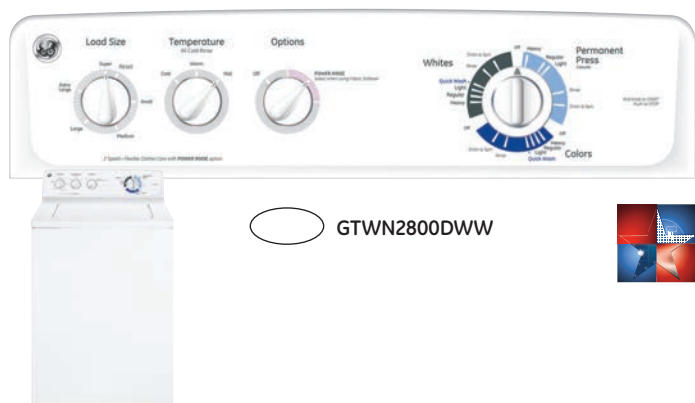
174 **Bold** = feature upgrade from previous model.

ecomagination—a GE initiative to meet today's environmental challenges



**GTWN4250D**  
GE 3.9 DOE\* cu. ft. stainless steel capacity washer

- ENERGY STAR qualified—meets or exceeds federal guidelines for energy efficiency for year-round energy and money savings
- HydroWave Quiet Agitator Wash System with dual-action agitator—longer, slower\*\*\* travel provides gentle, thorough cleaning
- Rotary electronic controls with cycle status lights provide accurate cycle times
- 16 wash cycles handle various fabrics and soils
- PreciseFill with the option of 5 water level selections will automatically measure the load size and add just the right amount of water
- Bleach and fabric softener dispensers automatically operate with wash cycle
- Power Rinse™ option removes dirty water before spinning to help prevent soils and detergent from depositing on clothes
- 700-RPM spin speed—fast spin speeds remove water efficiently and minimize dry times

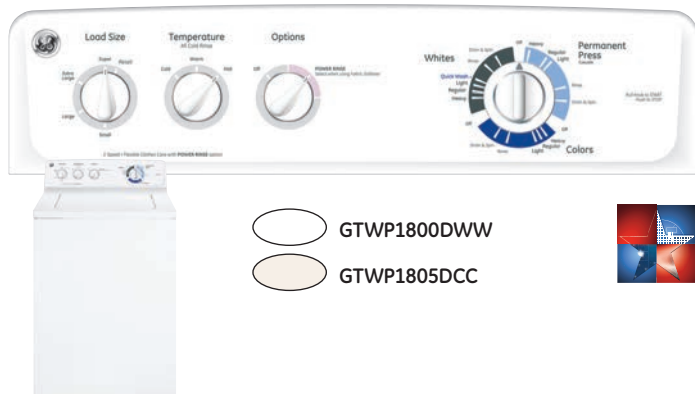


○ GTWN2800DWW



**GTWN2800D**  
GE 3.9 DOE\* cu. ft. stainless steel capacity washer

- Dual-action agitator provides gentle, dual-wash action
- Rotary electromechanical controls make it simple to set cycles
- 13 wash cycles handle various fabrics and soils
- 5 water levels—select water level based on load size
- Bleach and fabric softener dispensers automatically operate with wash cycle
- Power Rinse option removes dirty water before spinning to help prevent soils and detergent from depositing on clothes
- 630-RPM spin speed—fast spin speeds remove water efficiently and minimize dry times



○ GTWP1800DWW  
○ GTWP1805DCC



**GTWP1800D**  
GE 3.7 DOE\* cu. ft. capacity ExtrAction™ washer

- Dual-action agitator provides gentle, dual-wash action
- ExtrAction ribbed basket removes more moisture than smooth baskets
- Rotary electromechanical controls make it simple to set cycles
- 12 wash cycles handle various fabrics and soils
- 4 water levels—select water level based on load size
- Bleach and fabric softener dispensers automatically operate with wash cycle
- Power Rinse option removes dirty water before spinning to help prevent soils and detergent from depositing on clothes
- 630-RPM spin speed—fast spin speeds remove water efficiently and minimize dry times

○ White ○ Bisque

\*Department of Energy.  
\*\*In accordance with CEE High Efficiency specifications for residential clothes washers (effective 1/1/2011).  
\*\*\*Compared to a non-HydroWave washer, WDSR2120.

# Dryers



○ GTDS570EDWW (Electric)  
GTDS570GDWW (Gas)

## GTDS570ED/GD

GE® 7.0 cu. ft. stainless steel capacity dryer with steam

- **SteamRefresh** helps reduce wrinkles, odors and rejuvenates clothes
- **Steam Dewrinkle** reduces wrinkles and freshens clean clothes
- HE SensorDry™ with dual thermistors continually monitors moisture and temperature to prevent clothing wear and tear due to over-drying and inconsistent heat
- LED electronic controls with cycle countdown display show exactly how much time is left for each cycle
- eMonitor—an electronic readout shows the exact efficiency of each cycle so the user can decide how they want to dry each load
- eDry option—energy-saving option reduces dry temperatures on select cycles without sacrificing performance
- 5 heat selections provide the right temperatures for your clothes-drying needs
- Quick Fluff™ delivers ready-to-go results in minutes without heat
- Variable end-of-cycle signal—adjustable volume offers added flexibility



○ GTDN550EDWW (Electric)  
GTDN550GDWW (Gas)

## GTDN550ED/GD

GE 7.0 cu. ft. stainless steel capacity dryer

- HE SensorDry with dual thermistors continually monitors moisture and temperature to prevent clothing wear and tear due to over-drying and inconsistent heat
- **LED electronic controls with cycle countdown display show exactly how much time is left for each cycle**
- **eMonitor—an electronic readout shows the exact efficiency of each cycle so the user can decide how they want to dry each load**
- **eDry option—energy-saving option reduces dry temperatures on select cycles without sacrificing performance**
- 5 heat selections provide the right temperatures for your clothes-drying needs
- Quick Fluff delivers ready-to-go results in minutes without heat
- Variable end-of-cycle signal—adjustable volume offers added flexibility



○ GTDP520EDWW (Electric)  
GTD520GDWW (Gas)

## GTDP520ED/GD

GE 7.0 cu. ft. capacity DuraDrum™ dryer

- DuraDrum interior provides long-lasting dependability
- HE SensorDry with **dual thermistors** continually monitors moisture and temperature to prevent clothing wear and tear due to over-drying and inconsistent heat
- **Rotary electronic controls with cycle status lights provide accurate cycle times**
- **Energy Saver—energy-saving cycle reduces dry temperatures on select cycles**
- **5 heat selections provide the right temperatures for your clothes-drying needs**
- Quick Fluff delivers ready-to-go results in minutes without heat
- Variable end-of-cycle signal—adjustable volume offers added flexibility

○ White

Complete features and specifications on page 280.





**GTDP490ED/GD**  
GE 7.0 cu. ft. capacity DuraDrum dryer

- DuraDrum interior provides long-lasting dependability
- **HE SensorDry continually monitors moisture and temperature to prevent clothing wear and tear due to over-drying and inconsistent heat**
- 4 heat selections provide the right temperatures for your clothes-drying needs
- Wrinkle Care extended tumble reduces creasing and wrinkling
- Quick Fluff delivers ready-to-go results in minutes without heat
- Variable end-of-cycle signal—adjustable volume offers added flexibility



○ GTDP490EDWS (Electric)  
GTDP490GDWS (Gas)



**GTDX400ED/GD**  
GE 6.0 cu. ft. capacity DuraDrum dryer

- DuraDrum interior provides long-lasting dependability
- 4 heat selections provide the right temperatures for your clothes-drying needs
- Quick Fluff delivers ready-to-go results in minutes without heat
- Variable end-of-cycle signal—adjustable volume offers added flexibility
- Auto Dry monitors air temperature to set dry times
- Dewrinkle reduces creasing and wrinkling



○ GTDX400EDWS (Electric)  
GTDX400GDWS (Gas)



**GTDP280ED/GD**  
GE 7.0 cu. ft. capacity DuraDrum dryer

- DuraDrum interior provides long-lasting dependability
- 4 heat selections provide the right temperatures for your clothes-drying needs
- Wrinkle Care extended tumble reduces creasing and wrinkling
- Quick Fluff delivers ready-to-go results in minutes without heat
- Variable end-of-cycle signal—adjustable volume offers added flexibility
- Auto Dry monitors air temperature to set dry times
- Dewrinkle reduces creasing and wrinkling



○ GTDP280EDWW (Electric)  
GTDP280GDWW (Gas)

○ White

# Dryers



○ GTDL210EDWW (Electric)  
○ GTDL210GDWW (Gas)

## GTDL210ED/GD

GE® 7.0 cu. ft. capacity DuraDrum™ dryer with 150 ft. long venting

- DuraDrum interior provides long-lasting dependability
- 4 heat selections provide the right temperatures for your clothes-drying needs
- **Wrinkle Care extended tumble reduces creasing and wrinkling**
- Quick Fluff™ delivers ready-to-go results in minutes without heat
- Variable end-of-cycle signal—adjustable volume offers added flexibility
- Auto Dry monitors air temperature to set dry times
- Dewrinkle reduces creasing and wrinkling
- **Up to 150 ft. venting capability provides flexible installation**



○ GTDP180EDWW (Electric)  
○ GTDP180GDWW (Gas)

## GTDP180ED/GD

GE 6.8 cu. ft. capacity DuraDrum dryer

- DuraDrum interior provides long-lasting dependability
- 4 heat selections provide the right temperatures for your clothes-drying needs
- Quick Fluff delivers ready-to-go results in minutes without heat
- Variable end-of-cycle signal—adjustable volume offers added flexibility
- Auto Dry monitors air temperature to set dry times
- Dewrinkle reduces creasing and wrinkling

## GTDX180ED/GD

GE 6.0 cu. ft. DuraDrum Dryer

- GTDX180EDWW (Electric)
- GTDX180GDWW (Gas)
- GTDX185EDCC (Electric)
- GTDX185GDCC (Gas)

○ White ○ Bisque

Complete features and specifications on pages 280 and 282.  
**Bold** = feature upgrade from previous model.

\*See page 198 for ADA requirements.

# Washers and dryers



○ WSLP1500JWW

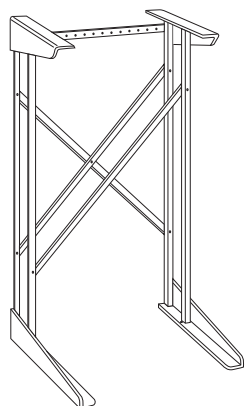
## WLSL1500J

Similar to the WSLP1500J, except is a stationary model.

○ WLSL1500JWW

## WSLP1500J GE 120V portable topload washer

- 2.7 DOE\*\* cu. ft. capacity handles additional items
- Stainless steel basket resists rust and helps protect clothes
- Electronic one-touch controls with LED readout—total control with just a touch
- Load sensing calculates the size of every load
- 14 wash cycles handle various fabrics and soils
- 3 wash/rinse temperatures—select the right temperature for ideal wash results
- 1 wash/spin speed combination removes moisture from clothes
- 5 water levels—select water level based on load size



## DSDR24F GE stack rack

For use with portable or stationary washers and stationary dryers.

○ DSDR24F



○ DSKS433EBWW

## DSKS433EB GE 240V stationary dryer

- 3.6 cu. ft. capacity handles additional items
- **Auto Dry monitors air temperature to set dry times**
- **4 heat selections provide the right temperatures for your clothes-drying needs**
- 3 dry cycles—settings for reliable drying performance
- Rotary controls—easy to read and operate
- Upfront lint filter makes cleaning out lint easy

**WMK-35 Wall-Mount Kit**  
(Available at additional cost, applies only to stationary models.)



○ DSKP333ECWW

## DSKP333EC GE 120V portable dryer

- 3.6 cu. ft. capacity handles additional items
- 3 dry cycles—settings for reliable drying performance
- 3 heat selections provide the right temperatures for your clothes-drying needs
- DuraDrum interior provides long-lasting dependability
- Quiet-by-Design™—designed for quiet operation



## DSKS333EC

Similar to the DSKP333EC, except is a stationary model and controls are located at bottom of unit for rack or wall installation and it is not ADA compliant.

○ DSKS333ECWW

# Washers and dryers



## GTUN275EM/GM

GE® full-size 27" unitized washer/dryer with 3.4 DOE\* cu. ft. stainless steel capacity

- 3.4 DOE\* cu. ft. stainless steel capacity washer handles additional items
- 5.9 cu. ft. capacity dryer
- 3 wash/spin speed combinations remove moisture from clothes
- 9 wash cycles handle various fabrics and soils
- 5 wash/rinse temperatures—select the right temperature for ideal wash results
- 5 water levels—select water level based on load size
- Rotary electronic controls (washer) simplify cycle selection
- Rotary electromechanical controls (dryer) make it simple to set cycles

 **GTUN275EMWW** (Electric)  
**GTUN275GMWW** (Gas)



## GTUP270EM/GM

GE full-size 27" unitized washer/dryer with 3.3 DOE\* cu. ft. capacity

 **GTUP270EMWW** (Electric)  
**GTUP270GMWW** (Gas)



## GTUP240EM/GM

GE 24" unitized washer/dryer

- 2.2 DOE\* cu. ft. capacity washer
- 4.4 cu. ft. capacity dryer
- 3 wash/spin speed combinations remove moisture from clothes
- 9 wash cycles handle various fabrics and soils
- 5 wash/rinse temperatures—select the right temperature for ideal wash results
- 5 water levels—select water level based on load size
- Rotary electronic controls (washer) simplify cycle selection
- Rotary electromechanical controls (dryer) make it simple to set cycles

 **GTUP240EMWW** (Electric)  
**GTUP240GMWW** (Gas)

 White

\*Department of Energy.



**WNRD2050G**  
GE commercial washer

- 3.6 DOE\* cu. ft. capacity handles additional items
- Stainless steel basket resists rust and helps protect clothes
- Electronic one-touch controls with LED readout—total control with just a touch
- 5 wash cycles handle various fabrics and soils
- 3 wash/spin speed combinations match speeds to selected fabric type
- 3 wash/rinse temperatures—select the right temperature for ideal wash results
- Deluxe Quiet—designed for quiet operation

 **WNRD2050GWC**



**DNCD450EG/GG**  
GE commercial dryer

- 7.0 cu. ft. capacity—perfect size for comforters and towels
- Auto Dry monitors air temperature to set dry times
- Electronic one-touch controls with LED readout—total control with just a touch
- Delicate (low heat) cycle helps protect delicate fabrics
- DuraDrum™ interior provides long-lasting dependability
- 4 heat selections provide the right temperatures for your clothes-drying needs
- 5 dry cycles—settings for reliable drying performance
- Hush Quiet—designed for quiet operation

 **DNCD450EGWC** (Electric)  
**DNCD450GGWC** (Gas)

# WATER HEATERS

A water heater with hybrid technology means saving money  
is as easy as a day at the beach.



# Explore GeoSpring™ hybrid water heater



### ENERGY STAR® qualified

Exceeds ENERGY STAR standards with a 2.4 energy factor rating in Hybrid mode, which saves \$325 every year.\*



### Hot water recovery

Hybrid technology offers the same amount of water recovery as traditional 50-gallon electric water heaters, while using less energy.



### Hybrid mode

While the unit uses the heat pump as its primary means to heat the water, the standard electric elements may activate if a faster water temperature recovery time is needed.



### Vacation mode

While you're away the system will drop the temperature to save energy, then automatically heat the water the day before you return.



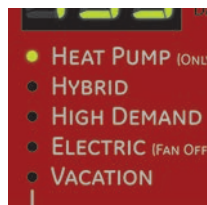
### High Demand mode

The water heater will be faster to react to temperature recovery by cycling on the heating elements sooner and for a longer duration of time.



### Same connections

Offers easy replacement of a standard electric water heater by using existing water and electrical connections.



### Heat pump mode

Advanced hybrid technology allows water to be heated solely from the heat pump without using traditional electric elements.



### Remote access

Offers remote functionality to control modes and temperatures when connected to GE's Nucleus™ energy manager. Also sends product alerts when maintenance is required.



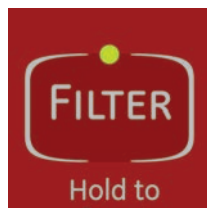
### Removable filter

Filter prevents dust and debris from depositing on the evaporator and fans to keep the heat pump running efficiently.



### Limited 10-year warranty

Protects your appliance and offers dependability for years.



### Filter button

Clean filter when light is illuminated, then press the button to reset filter indicator.

\*Based on DOE test procedure and comparison of a 50-gallon standard electric tank water heater using 4879 kWh every year vs. the GeoSpring hybrid water heater using 1830 kWh every year.

# GeoSpring™ hybrid water heater



## GEH50DEEDSR

### GeoSpring hybrid water heater

- Saves \$325 every year\* in water heater expenses
- Uses up to 62% less energy than a standard electric water heater
- Proudly assembled in Louisville, KY
- Provides the same hot water recovery as a traditional 50-gallon standard electric water heater with 65-gallons-first-hour rating
- Installs like a standard electric water heater with the same water and electrical connections
- Limited 10-year warranty provides peace of mind and dependability
- ENERGY STAR® qualified—exceeds federal guidelines for energy efficiency and provides year-round energy and money savings
- Offers remote functionality to control modes and temperatures when connected to GE's Nucleus™ energy manager



ecomagination



Scan this code with your QR reader to learn more.

\*Based on DOE test procedure and comparison of a 50-gallon standard electric tank water heater using 4879 kWh every year vs. the GeoSpring hybrid water heater using 1830 kWh every year.



All the hot water. For a whole lot less.



The new GeoSpring hybrid water heater has been designed to deliver maximum energy savings without sacrificing any hot water. By utilizing advanced heat pump technology in combination with traditional electric elements, this innovative product can significantly cut annual energy costs.



GeoSpring



Standard

Save \$325 every year\*

Did you know the water heater is the second biggest energy consumer in the house? That's why the GeoSpring can have such an impact on utility bills—helping save hundreds of dollars every single year.

Refrigeration

Cooking products

Microwave ovens

Dishwashers

Clothes care

Water heaters

Air conditioning

# WINDOW AIR CONDITIONERS

Window air conditioners with improved convenience and versatility mean comfort for the whole family.



# Explore GE® electronic room air conditioners

#1 preferred brand of room air conditioners.\*



### R-410A refrigerant

R-410A meets 2010 U.S. Environmental Protection Agency requirements for the phase-out of ozone-depleting hydrochlorofluorocarbons (HCFCs) found in the older R-22 refrigerant.



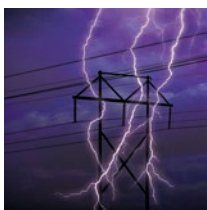
### Energy Saver feature

When the room is cool enough, the compressor and fan shut down temporarily, saving energy and money.



### ENERGY STAR® qualified

Meets energy efficiency standards and provides seasonal energy and money savings.



### Power interruption restart

Following an outage, the unit automatically resumes operation at the prior temperature setting.



### Timer

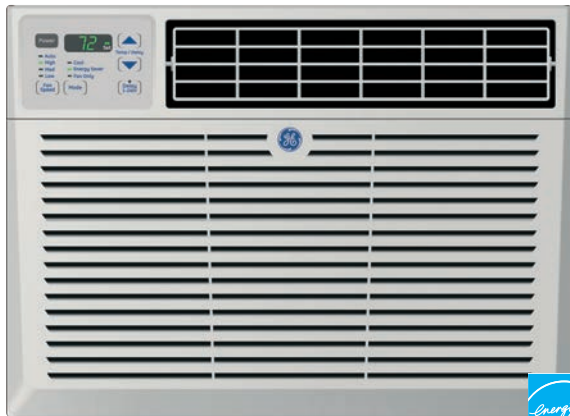
Programmable timer lets you tell the air conditioner when to turn "on" or "off," even if you're not around.



### Remote control

Hand-held controller makes operating the air conditioner extra easy.

# ENERGY STAR® qualified electronic room air conditioners

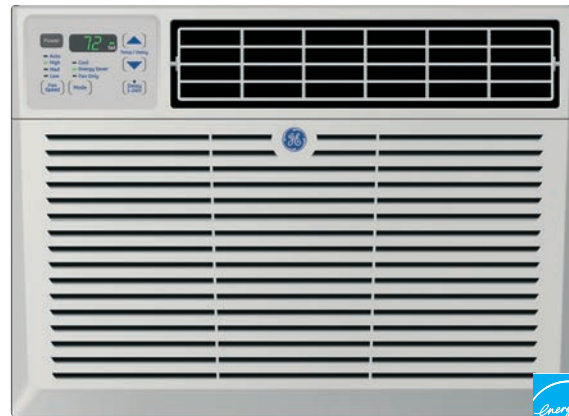


## GE® electronic

- ENERGY STAR qualified
- R-410A refrigerant
- Electronic thermostat with remote
- Energy Saver feature
- 24-hour on/off timer
- 3 cool/3 fan speeds
- Power interruption restart
- Slide-out chassis
- EZ Mount window kit

### AEM24DQ

- 24,200/23,800 BTU, 9.4 EER, 230/208 Volts

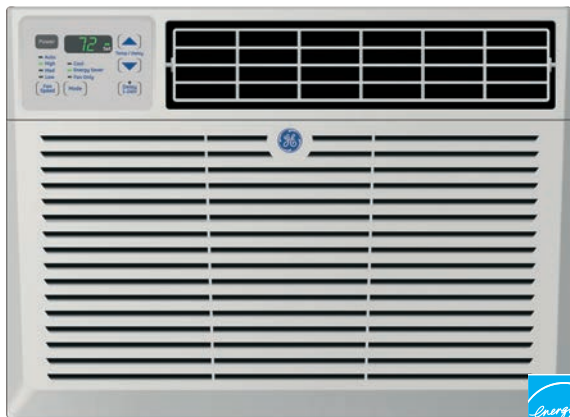


## GE electronic

- ENERGY STAR qualified
- R-410A refrigerant
- Electronic thermostat with remote
- Energy Saver feature
- 24-hour on/off timer
- 3 cool/3 fan speeds
- Power interruption restart
- Slide-out chassis
- EZ Mount window kit

### AEM18DQ

- 18,000/17,600 BTU, 10.7 EER, 230/208 Volts

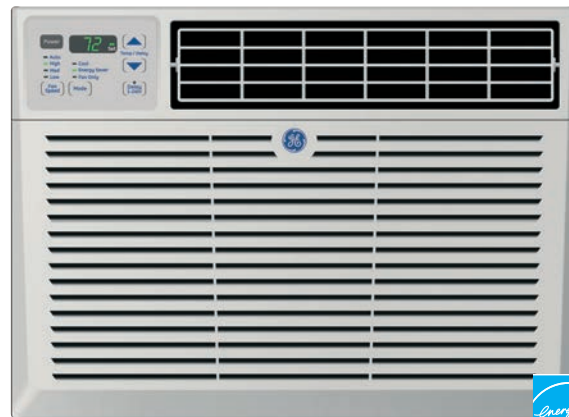


## GE electronic

- ENERGY STAR qualified
- R-410A refrigerant
- Electronic thermostat with remote
- Energy Saver feature
- 24-hour on/off timer
- 3 cool/3 fan speeds
- Power interruption restart
- Slide-out chassis
- EZ Mount window kit

### AEM14AQ

- 14,200 BTU, 10.7 EER, 115 Volts



## GE electronic

- ENERGY STAR qualified
- R-410A refrigerant
- Electronic thermostat with remote
- Energy Saver feature
- 24-hour on/off timer
- 3 cool/3 fan speeds
- Power interruption restart
- Fixed chassis
- EZ Mount window kit

### AEM12AQ

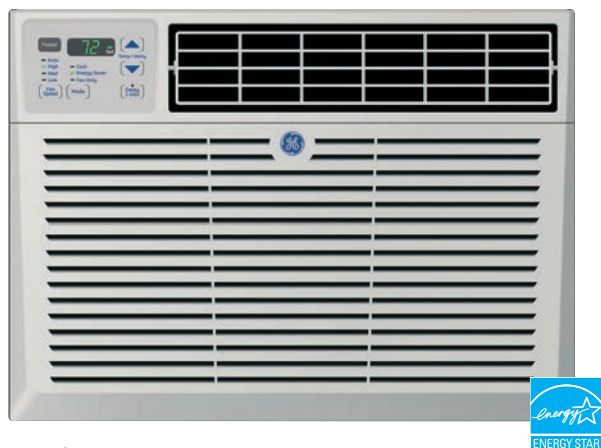
- 12,000 BTU, 10.8 EER, 115 Volts

### AEM10AQ

- 10,150 BTU, 10.8 EER, 115 Volts

BTUs subject to change.

## ENERGY STAR qualified electronic room air conditioners



## GE electronic

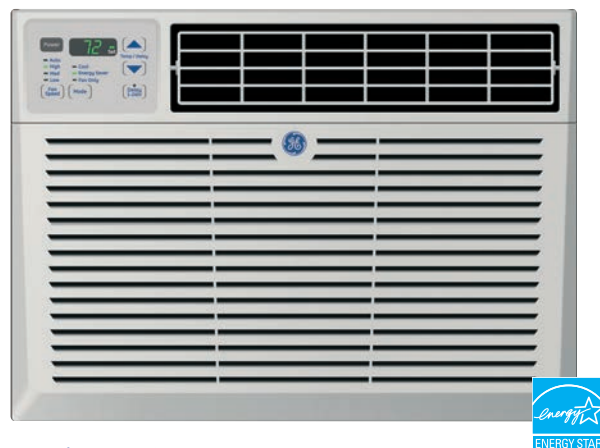
- ENERGY STAR qualified
- R-410A refrigerant
- Electronic thermostat with remote
- Energy Saver feature
- 24-hour on/off timer
- 3 cool/3 fan speeds
- Power interruption restart
- Fixed chassis
- EZ Mount window kit

**AEM08LQ**

- 8,000 BTU, 10.8 EER, 115 Volts

**AEM06LQ**

- 6,400 BTU, 10.7 EER, 115 Volts



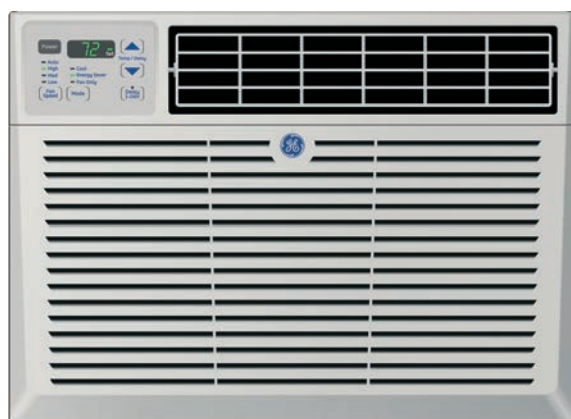
## GE electronic

- ENERGY STAR qualified
- R-410A refrigerant
- Electronic thermostat with remote
- Energy Saver feature
- 24-hour on/off timer
- 3 cool/3 fan speeds
- Power interruption restart
- Fixed chassis
- EZ Mount window kit

**AEM05LQ**

- 5,350 BTU, 10.7 EER, 115 Volts

## Electronic room air conditioners

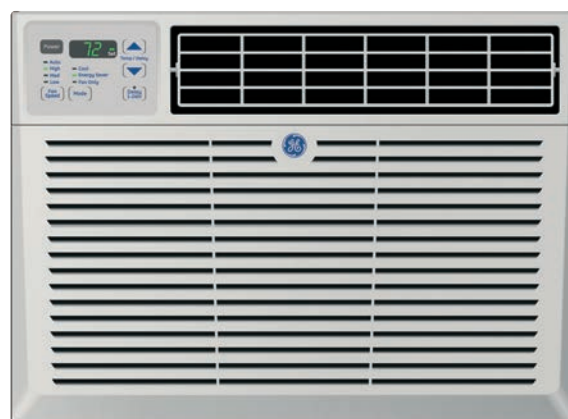


## GE electronic

- R-410A refrigerant
- Electronic thermostat with remote
- Energy Saver feature
- 24-hour on/off timer
- 3 cool/3 fan speeds
- Power interruption restart
- Slide-out chassis
- EZ Mount window kit

**AEQ24DQ**

- 24,200/23,900 BTU, 8.5 EER, 230/208 Volts



## GE electronic

- R-410A refrigerant
- Electronic thermostat with remote
- Energy Saver feature
- 24-hour on/off timer
- 3 cool/3 fan speeds
- Power interruption restart
- Fixed chassis
- EZ Mount window kit

**AEQ12DQ**

- 12,000/11,800 BTU, 9.8 EER, 230/208 Volts

**AEQ12AQ**

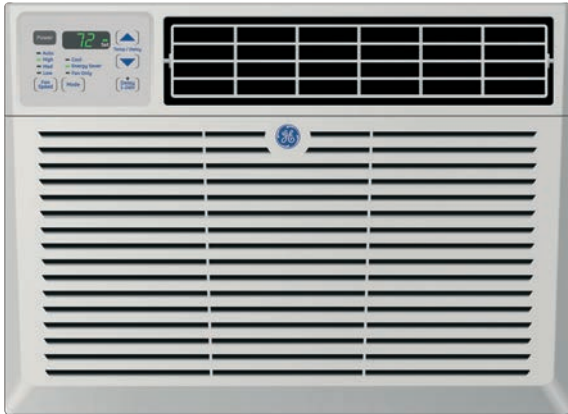
- 12,000 BTU, 9.8 EER, 115 Volts

**AEQ10AQ**

- 10,000 BTU, 9.8 EER, 115 Volts

BTUs subject to change.

## Electronic room air conditioners



### GE® electronic

- R-410A refrigerant
- Electronic thermostat with remote
- Energy Saver feature
- 24-hour on/off timer
- 3 cool/3 fan speeds
- Power interruption restart
- Fixed chassis
- EZ Mount window kit

#### **AEQ08AQ**

- 8,200 BTU, 9.8 EER, 115 Volts

#### **AEQ06LQ**

- 6,100 BTU, 9.7 EER, 115 Volts



### GE electronic

- R-410A refrigerant
- Electronic thermostat with remote
- Energy Saver feature
- 24-hour on/off timer
- 3 cool/3 fan speeds
- Power interruption restart
- Fixed chassis
- EZ Mount window kit

#### **AEQ05LQ**

- 5,050 BTU, 9.7 EER, 115 Volts

## Mechanical room air conditioner



### GE mechanical

- R-410A refrigerant
- Mechanical thermostat
- 2 cool/2 fan speeds
- Rigid slide-out filter
- Fixed chassis
- EZ Mount window kit

#### **AEV05LQ**

- 5,050 BTU, 9.7 EER, 115 Volts

BTUs subject to change.

## Heat/cool room air conditioners



## GE heat/cool series

- R-410A refrigerant
- Adjustable thermostat
- Multiple cooling/heating speeds
- 4-way adjustable air discharge
- Easy-access filter
- Slide-out chassis
- EZ Mount window kit

**AEE24DQ**

- 24,200/23,900 BTU, 8.5 EER, 230/208 Volts

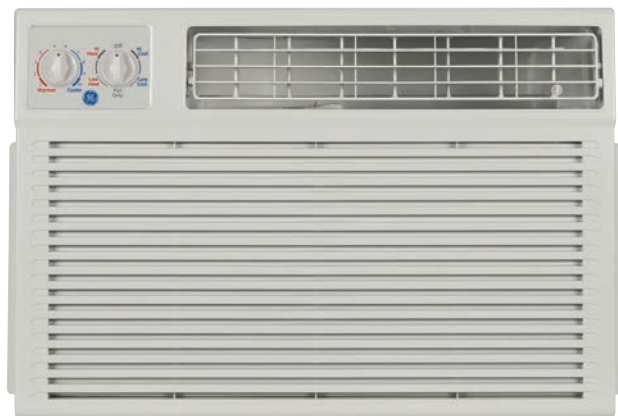


## GE heat/cool series

- R-410A refrigerant
- Adjustable thermostat
- Multiple cooling/heating speeds
- 4-way adjustable air discharge
- Easy-access filter
- Slide-out chassis
- EZ Mount window kit

**AEE18DQ**

- 18,000/17,600 BTU, 9.7 EER, 230/208 Volts

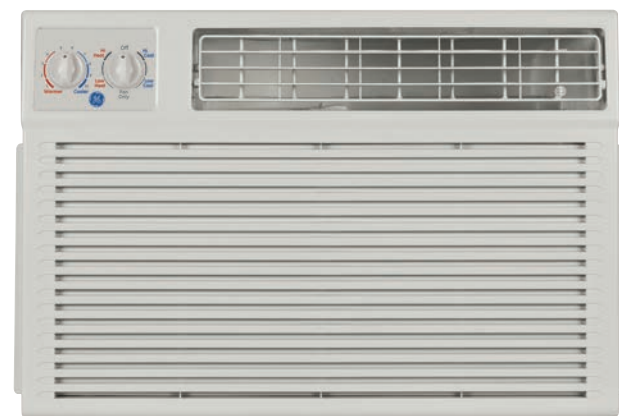


## GE heat/cool series

- R-410A refrigerant
- Adjustable thermostat
- Multiple cooling/heating speeds
- 4-way adjustable air discharge
- Easy-access filter
- Slide-out chassis
- EZ Mount window kit

**AEE12DQ**

- 12,000/11,600 BTU, 9.8 EER, 230/208 Volts



## GE heat/cool series

- R-410A refrigerant
- Adjustable thermostat
- Multiple cooling/heating speeds
- 4-way adjustable air discharge
- Easy-access filter
- Slide-out chassis
- EZ Mount window kit

**AEE08AQ\***

- 8,000 BTU, 9.8 EER, 115 Volts

\*Not intended to be a primary source of heat.  
BTU's subject to change.

# BUILT-IN ROOM AIR CONDITIONERS

An energy-efficient built-in room air conditioner provides a refreshing choice in air conditioning comfort.



### R-410A refrigerant

R-410A meets 2010 U.S. Environmental Protection Agency requirements for the phase-out of ozone-depleting hydrochlorofluorocarbons (HCFCs) found in the older R-22 refrigerant.



### Timer

Programmable timer lets you tell the air conditioner when to turn "on" or "off", even if you're not around.



### Upfront filters

Durable, high-performance filters are located at the front of the cabinet for easy access and easy cleaning.



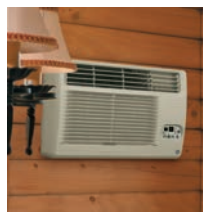
### ENERGY STAR® qualified

Meets energy efficiency standards and provides seasonal energy and money savings.



### Appearance

Clean, contemporary design makes the air conditioner suitable for any room.



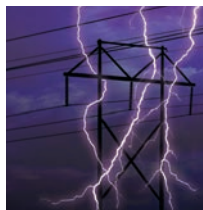
### High-mount

Controls are located low on the unit for easy access in high-mount installations.



### Remote control

Hand-held controller makes operating the air conditioner extra easy.



### Power interruption restart

Following an outage, the unit automatically resumes operation at the prior temperature setting.

*\*Based upon Traqline survey, AHAM Shipments and Market Analysis*



# Built-in room air conditioners



## GE® standard-mount cool-only units\*\*

- ENERGY STAR qualified
- R-410A refrigerant
- Electronic controls with remote
- Electronic digital thermostat

- Four-way air direction
- Up-front, washable air filter
- 3 cool/3 fan speeds

### AJCQ12DCD

• 11,600/11,400 BTU, 9.4/9.4 EER, 230/208 Volts

### AJCQ10DCD

• 10,400/10,200 BTU, 9.4/9.4 EER, 230/208 Volts

### AJCQ09DCD

• 8,800/8,700 BTU, 9.4/9.4 EER, 230/208 Volts

### AJCQ12ACD

• 11,600 BTU, 9.4 EER, 115 Volts

### AJCQ10ACD

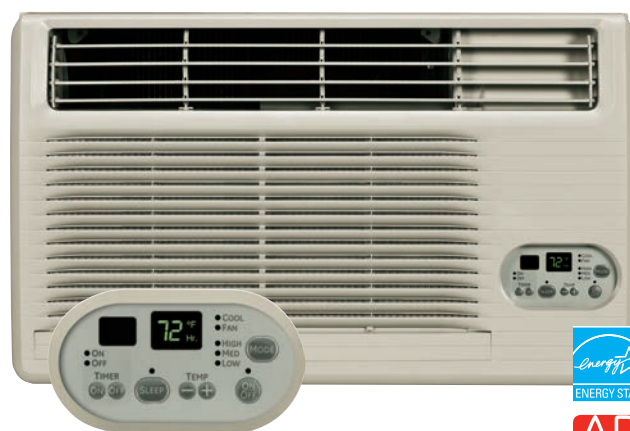
• 10,400 BTU, 9.4 EER, 115 Volts

### AJCQ08ACD

• 8,350 BTU, 9.4 EER, 115 Volts

### AJCQ06LCD

• 6,200 BTU, 10.0 EER, 115 Volts



## GE high-mount cool-only units\*\*

- ENERGY STAR-qualified
- R-410A refrigerant
- Electronic controls with remote
- Electronic digital thermostat

- Four-way air direction
- Up-front, washable air filter
- 3 cool/3 fan speeds

### AJCM12DCD

• 11,600/11,400 BTU, 9.4/9.4 EER, 230/208 Volts

### AJCM10DCD

• 10,400/10,200 BTU, 9.4/9.4 EER, 230/208 Volts

### AJCM10ACD

• 10,400 BTU, 9.4 EER, 115 Volts

### AJCM08ACD

• 8,350 BTU, 9.4 EER, 115 Volts



## GE standard-mount heat/cool units\*\*

- R-410A refrigerant
- Electronic digital thermostat
- Four-way air direction
- Up-front, washable air filter

- 2 cool/2 heat/2 fan only speeds
- Remote thermostat capable

### AJEQ12DCD

• 11,600/11,400 BTU cool, 11,600/9,500 BTU heat, 9.4/9.4 EER, 230/208 Volts

### AJEQ10DCD

• 10,350/10,200 BTU cool, 11,600/9,500 BTU heat, 9.4/9.4 EER, 230/208 Volts

### AJEQ09DCD

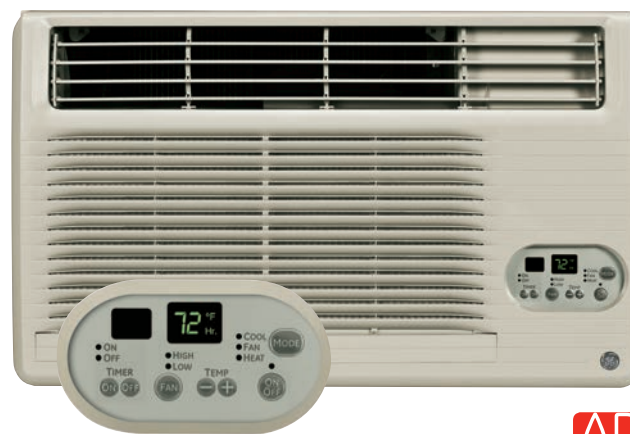
• 8,900/8,700 BTU cool, 11,600/9,500 BTU heat, 9.4/9.4 EER, 230/208 Volts

### AJEQ08ACD†

• 8,350 BTU cool, 4,100 BTU heat, 9.4 EER, 115 Volts

### AJEQ06LCD†

• 6,400 BTU cool, 4,100 BTU heat, 10.0 EER rating, 115 Volts



## GE high-mount heat/cool unit\*\*

- R-410A refrigerant
- Electronic controls with remote
- Electronic thermostat
- Four-way air direction

- Up-front, washable air filter
- 2 cool/2 heat/2 fan only speeds
- Remote thermostat capable

### AJEM12DCD

• 11,600/11,400 BTU cool, 11,600/9,500 BTU heat, 9.4/9.4 EER, 230/208 Volts

Complete features and specifications on pages 287-288.  
\*See page 198 for ADA requirements.

\*\*Wall case sold separately.  
†These units are not intended to be the primary source of heat. BTU's subject to change.

# Dehumidifiers



## GE® dehumidifiers

- ENERGY STAR® qualified
- R-410A refrigerant
- Electronic controls
- Low-temperature operation
- Front condensate bucket with water level indicator
- Automatic shut-off system when bucket fills
- 3 fan speeds
- Automatic defrost control
- External drain connector
- Easy-roll casters
- Washable air filter
- 2- or 4-hour off timer



### ADER65LQ

- 65 pints per day

### ADER50LQ

- 50 pints per day



## GE dehumidifiers

- ENERGY STAR qualified
- R-410A refrigerant
- Electronic controls
- Low-temperature operation
- Front condensate bucket with water level indicator
- Automatic shut-off system when bucket fills
- 3 fan speeds
- Automatic defrost control
- External drain connector
- Easy-roll casters
- Washable air filter
- 2- or 4-hour off timer



### ADER40LQ

- 40 pints per day

### ADER30LQ

- 30 pints per day



## Warranty information\*

The condensed list below is a convenient overview of the written warranties offered on various GE appliances described in this catalog for products manufactured on or after January 1, 2006. For complete warranty details on a specific GE appliance model, contact your nearest GE supplier, or call GE Factory Service, toll-free, 800-GE-CARES (800-432-2737).

### Refrigerators, wine and beverage centers

(All GE Profile™/GE Café™ models)

For the period of	GE will replace
<b>One year</b> From the date of the original purchase	<b>Any part</b> in the refrigerator which fails due to a defect in materials or workmanship. During this <b>limited one-year warranty</b> , GE will provide, <b>free of charge</b> , all labor and related service costs to replace the defective part.
<b>Five years</b> From the date of the original purchase	<b>Any part of the sealed refrigerating system</b> (the compressor, condenser, evaporator and all connecting tubing) which fails due to a defect in materials or workmanship. During this <b>limited five-year sealed refrigerating system warranty</b> , GE will also provide, <b>free of charge</b> , all labor and related service costs to replace the defective part.

### Refrigerators, freezers, wine and beverage centers (All GE® models)

For the period of	GE will replace
<b>One year</b> From the date of the original purchase	<b>Any part</b> in the refrigerator which fails due to a defect in materials or workmanship. During this <b>limited one-year warranty</b> , GE will provide, <b>free of charge</b> , all labor and related service costs to replace the defective part.

### Icemakers

For the period of	GE will replace
<b>One year</b> From the date of the original purchase	<b>Any part</b> in the icemaker which fails due to a defect in materials or workmanship. During this <b>limited one-year warranty</b> , GE will provide, <b>free of charge</b> , all labor and related service costs to replace the defective part.

### Water filters

For the period of	GE will replace
<b>30 days</b> From the date of the original purchase	<b>Any part</b> of the water filter cartridge which fails due to a defect in materials or workmanship. During this <b>limited 30-day warranty</b> , you will be responsible for any labor and related service costs.

### Advantium® ovens

For the period of	GE will replace
<b>One year</b> From the date of the original purchase	<b>Any part</b> of the oven which fails due to a defect in materials or workmanship. During this <b>limited one-year warranty</b> , GE will provide, <b>free of charge</b> , all labor and related service costs to replace the defective part.
<b>Second through fifth year</b> From the date of the original purchase	<b>Magnetron Tube</b> , if the magnetron tube should fail due to a defect in materials or workmanship. During this <b>additional four-year limited warranty</b> , you will be responsible for any labor and related service costs.

### GE Profile/GE Café ranges/cooktops/built-in ovens/warming drawers/hoods

For the period of	GE will replace
<b>One year</b> From the date of the original purchase	<b>Any part</b> in the cooking product which fails due to a defect in materials or workmanship. During this <b>limited one-year warranty</b> , GE will provide, <b>free of charge</b> , all labor and related service costs to replace the defective part.
<b>Second through fifth year</b> From the date of the original purchase	<b>Glass cooktop</b> (excluding PHP960, PHP900), <b>radiant surface units</b> , if the glass cooktop should crack due to thermal shock, discolor, crack at the rubber seal between the glass cooktop and the porcelain edge or if the pattern wears off, or if any of the radiant surface units burn out. During this <b>additional four-year limited warranty</b> , you will be responsible for all labor and related service costs to replace the defective part.

### GE ranges/cooktops/built-in ovens/warming drawers/hoods

For the period of	GE will replace
<b>One year</b> From the date of the original purchase	<b>Any part</b> in the cooking product which fails due to a defect in materials or workmanship. During this <b>limited one-year warranty</b> , GE will provide, <b>free of charge</b> , all labor and related service costs to replace the defective part.

### GE Profile/GE Café microwave ovens

For the period of	GE will replace
<b>One year</b> From the date of the original purchase	<b>Any part</b> in the microwave which fails due to a defect in materials or workmanship. During this <b>limited one-year warranty</b> , GE will also provide, <b>free of charge</b> , all labor and in-home service to replace the defective part.
<b>Second through fifth year</b> From the date of the original purchase	<b>Magnetron Tube</b> , if the magnetron tube should fail due to a defect in materials or workmanship. During this <b>additional four-year limited warranty</b> , you will be responsible for any labor and related or in-home service costs.

### GE microwave ovens

For the period of	GE will replace
<b>One year</b> From the date of the original purchase	<b>Any part</b> in the microwave which fails due to a defect in materials or workmanship. During this <b>limited one-year warranty</b> , GE will provide, <b>free of charge</b> , all labor and related service cost to replace the defective part.

\*See written warranty for complete details.

# Warranty information\* (continued)

## GE Profile™/GE Café™ dishwashers

For the period of	GE will replace
<b>One year</b> From the date of the original purchase	<b>Any part</b> in the dishwasher which fails due to a defect in materials or workmanship. During this <b>limited one-year warranty</b> , GE will provide, <b>free of charge</b> , all labor and related service costs to replace the defective part.
<b>Second through fifth year</b> From the date of the original purchase	<b>Racks or Electronic Control Board</b> , if either the racks or electronic control board should fail due to a defect in materials or workmanship. During this <b>additional four-year limited warranty</b> , you will be responsible for any labor and related service costs.
<b>Lifetime of product</b> From the date of the original purchase	<b>Tub or Door Liner</b> , if either the tub or door liner should fail due to a defect in materials or workmanship. During this <b>limited product lifetime warranty</b> , GE will provide, <b>free of charge</b> , all labor and related service costs to replace the defective part.

## GE Profile/GE® 18" and GE dishwashers

For the period of	GE will replace
<b>One year</b> From the date of the original purchase	<b>Any part</b> in the dishwasher which fails due to a defect in materials or workmanship. During this <b>limited one-year warranty</b> , GE will provide, <b>free of charge</b> , all labor and related service costs to replace the defective part.

## Compactors

For the period of	GE will replace
<b>One year</b> From the date of the original purchase	<b>Any part</b> in the compactor which fails due to a defect in materials or workmanship. During this <b>limited one-year warranty</b> , GE will provide, <b>free of charge</b> , all labor and related service costs to replace the defective part.

## Disposers

For the period of	GE will replace
<b>One year</b> From the date of the original purchase	The entire disposer if there is a defect in materials or workmanship relating to functional parts only (appearance parts are excluded). During this <b>limited one-year warranty</b> , GE will also provide, <b>free of charge</b> , all labor charges related to replacing the original disposer <b>along with the replacement disposer within the first year</b> .

## Disposers

For the period of	GE will replace
<b>Additional one year</b> From the date of the original purchase	Models GFC520V, GFC525V: If there is a defect in materials or workmanship relating to functional parts only (appearance parts are excluded). During this <b>one-year extended limited warranty</b> period, you will be responsible for all installation charges related to the replacement disposer.
<b>Additional two years</b> From the date of the original purchase	Models GFC530V, GFC535V: If there is a defect in materials or workmanship relating to functional parts only (appearance parts are excluded). During this <b>two-year extended limited warranty</b> period, you will be responsible for all installation charges related to the replacement disposer.
<b>Additional four years</b> From the date of the original purchase	Models GFC720V, GFB760V: If there is a defect in materials or workmanship relating to functional parts only (appearance parts are excluded). During this <b>four-year extended limited warranty</b> period, you will be responsible for all installation charges related to the replacement disposer.
<b>Additional six years</b> From the date of the original purchase	Model GFC1020V: If there is a defect in materials or workmanship relating to functional parts only (appearance parts are excluded). During this <b>six-year extended limited warranty</b> period, you will be responsible for all installation charges related to the replacement disposer.

## GE Profile topload washers

For the period of	GE will replace
<b>One year</b> From the date of the original purchase	<b>Any factory specified part</b> of the washer which fails due to a defect in materials or workmanship. During this <b>limited one-year warranty</b> , GE will provide, <b>free of charge</b> , all labor and related service costs to replace the defective part.
<b>Second through fifth year</b> From the date of the original purchase	<b>The suspension rod and spring assembly, and main electronic control board</b> , if any of these parts should fail due to a defect in materials or workmanship. GE will also replace the <b>washer lid or cover</b> , if they should rust under operating conditions. During this <b>additional four-year limited warranty</b> , you will be responsible for any labor and related service costs.
<b>Second through tenth year</b> From the date of the original purchase	<b>The shaft and tube assembly and outer tub</b> , if any of these parts should fail due to a defect in materials or workmanship. During this <b>additional nine-year limited warranty</b> , you will be responsible for any labor and related service costs.
<b>Lifetime of product</b> From the date of the original purchase	<b>The washer basket</b> , if it should fail due to a defect in materials or workmanship. During this <b>product lifetime limited warranty</b> , you will be responsible for any labor and related service costs.

## GE Profile Harmony™ topload washers

For the period of	GE will replace
<b>One year</b> From the date of the original purchase	<b>Any part</b> of the washer which fails due to a defect in materials or workmanship. During this <b>limited one-year warranty</b> , GE will provide, <b>free of charge</b> , all labor and related service costs to replace the defective part.
<b>Second through fifth year</b> From the date of the original purchase	<b>The suspension rod and spring assembly, and main electronic control board</b> , if any of these parts should fail due to a defect in materials or workmanship. GE will also replace the <b>washer lid or cover</b> , if they should rust under operating conditions. During this <b>additional three-year limited warranty</b> , you will be responsible for any labor and related service costs.
<b>Second through tenth year</b> From the date of the original purchase	<b>The direct drive motor and outer washer tub</b> , if any of these parts should fail due to a defect in materials or workmanship. During this <b>additional nine-year limited warranty</b> , you will be responsible for any labor and related service costs.
<b>Lifetime of product</b> From the date of the original purchase	<b>The washer basket</b> , if it should fail due to a defect in materials or workmanship. During this <b>product lifetime limited warranty</b> , you will be responsible for any labor and related service costs.

**GE Profile frontload washers**

For the period of	GE will replace
<b>One year</b> From the date of the original purchase	<b>Any part</b> of the washer which fails due to a defect in materials or workmanship. During this <b>limited one-year warranty</b> , GE will provide, <b>free of charge</b> , all labor and related service costs to replace the defective part.
<b>Second through fifth year</b> From the date of the original purchase	<b>The suspension strut assembly, motor and motor controller</b> , if any of these parts should fail due to a defect in materials or workmanship. GE will also replace the <b>washer top panel, front panel or service panel</b> , if they should rust under operating conditions. During this <b>additional three-year limited warranty</b> , you will be responsible for any labor and related service costs.
<b>Second through tenth year</b> From the date of the original purchase	<b>The outer tub and driven pulley</b> , if any of these parts should fail due to a defect in materials or workmanship. During this <b>additional nine-year limited warranty</b> , you will be responsible for any labor and related service costs.
<b>Lifetime of product</b> From the date of the original purchase	<b>The washer basket</b> , if it should fail due to a defect in materials or workmanship. During this <b>product lifetime limited warranty</b> , you will be responsible for any labor and related service costs.

**GE washers, frontload washers, non-coin commercial washer and SmartDispense™ pedestal**

For the period of	GE will replace
<b>One year</b> From the date of the original purchase	<b>Any part</b> in the washer which fails due to a defect in materials or workmanship. During this <b>limited one-year warranty</b> , GE will provide, <b>free of charge</b> , all labor and related service costs to replace the defective part.

**GE Profile dryers**

For the period of	GE will replace
<b>One year</b> From the date of the original purchase	<b>Any part</b> in the dryer which fails due to a defect in materials or workmanship. During this <b>limited one-year warranty</b> , GE will provide, <b>free of charge</b> , all labor and related service costs to replace the defective part.
<b>Second year</b> From the date of the original purchase	<b>Any part</b> of the dryer which fails due to a defect in materials or workmanship. During this <b>additional one-year limited warranty</b> , you will be responsible for any labor and related service costs.
<b>Third through fifth year</b> From the date of the original purchase	<b>Dryer Drum and Main Electronic Control Panel</b> , if either of these parts should fail due to a defect in materials or workmanship. During this <b>additional four-year limited warranty</b> , you will be responsible for any labor and related service costs.

**What GE will not cover:**

- Service trips to your home to teach you how to use the product.
- Improper installation.
- Replacement of house fuses or resetting of circuit breakers.
- Failure of the product if it is abused, misused or used for anything other than the intended purpose or used commercially.
- Damage to product caused by accident, fire, floods or acts of God.
- Incidental or consequential damage caused by possible defects with this appliance.

**GE dryers, frontload dryers and non-coin commercial dryer**

For the period of	GE will replace
<b>One year</b> From the date of the original purchase	<b>Any part</b> in the dryer which fails due to a defect in materials or workmanship. During this <b>limited one-year warranty</b> , GE will provide, <b>free of charge</b> , all labor and related service costs to replace the defective part.

**GeoSpring™ hybrid water heater**

For the period of	GE will replace
<b>One year</b> From the date of the original purchase	<b>Any part</b> of the GeoSpring hybrid water heater which fails due to a defect in materials or workmanship. During this <b>limited one-year warranty</b> , GE will also provide, <b>free of charge</b> , all labor and related service to replace the defective part.
<b>Second through tenth year</b> From the date of the original purchase	<b>Any part</b> of the GeoSpring hybrid water heater which fails due to a defect in materials or workmanship. During this <b>limited ten-year parts warranty</b> , labor and related service to replace the defective part are not included.

**Air conditioners (built-in)**

For the period of	GE will replace
<b>One year</b> From the date of the original purchase	<b>Any part</b> in the air conditioner which fails due to a defect in materials or workmanship. During this <b>limited one-year warranty</b> , GE will provide, <b>free of charge</b> , all labor and related service costs to replace the defective part.
<b>Five years</b> From the date of the original purchase	<b>Sealed Refrigerating System</b> , if the Sealed Refrigerating System (compressor, condenser, evaporator and all connecting tubing) should fail due to a defect in materials or workmanship. During this <b>limited five-year warranty</b> , GE will provide, <b>free of charge</b> , all labor and related service costs to replace the defective part.

**Air conditioners (window)**

For the period of	GE will replace
<b>One year</b> From the date of the original purchase	<b>Any part</b> in the air conditioner which fails due to a defect in materials or workmanship. During this <b>limited one-year warranty</b> , GE will provide, <b>free of charge</b> , all labor and related service costs to replace the defective part.

**Dehumidifiers and air purifiers**

For the period of	GE will replace
<b>One year</b> From the date of the original purchase	During this <b>limited one-year warranty</b> , GE will replace the dehumidifier or air purifier if there is a <b>defect in materials</b> or workmanship.

**EXCLUSION OF IMPLIED WARRANTIES**—Your sole and exclusive remedy is product repair as provided in this Limited Warranty. Any implied warranties, including the implied warranties of merchantability or fitness for a particular purpose, are limited to one year or the shortest period allowed by law.

\*See written warranty for complete details.  
This warranty is extended to the original purchaser and any succeeding owner for products purchased for home use within the USA. In Alaska, the One-Year Warranty excludes the cost of shipping, or service calls to your home. Some states do not allow the exclusion or limitation of incidental or consequential damages. This warranty gives you specific legal rights, and you may also have other rights which vary from state to state. To know what your legal rights are, consult your local or state consumer affairs office or your state's Attorney General.

# ADA requirements\*

## Refrigerators/Freezers

Top-freezers and side-by-sides

Regulation #/ Description:

**4.2.6\* Side Reach**—If the clear floor space allows parallel approach by a person in a wheelchair, the maximum high side reach allowed shall be 54" (1370mm) and the low side reach shall be no less than 9" (230mm) above the floor.

**4.27.4 Operation**—Controls and operating mechanisms shall be operable with one hand and shall not require tight grasping, pinching, or twisting of the wrist. The force required to activate controls shall be no greater than 5 lbf (222N).

**4.34.6.8\* Refrigerators/Freezers**—Refrigerator/freezers shall comply with 4.34.6.3. Provision shall be made for refrigerators which are: (1) Of the vertical side-by-side refrigerator/freezer type; OR (2) Of the over-and-under type and meet the following requirements: (a) Have at least 50 percent of the freezer space below 54" (1370mm) above the floor. (b) Have 100 percent of the refrigerator space and controls below 54" (1370mm).

## Wall ovens

Single self-clean ovens

Regulation #/ Description:

**4.2.5**—maximum high forward reach for controls and operating mechanisms is 48", minimum low forward reach is 15";

**4.27.4**—controls and operating mechanisms must be operable with one hand and shall not require tight grasping, pinching, or twisting of the wrist. The force required to activate controls shall be no more than 5lbf;

**4.34.6.7**—ovens shall have controls on front panels; they may be located on either side of the door.

## Slide-in/Drop-in ranges

Electric and gas

Regulation #/ Description:

**4.2.5**—maximum high forward reach for controls and operating mechanisms is 48", minimum low forward reach is 15";

**4.27.4**—controls and operating mechanisms must be operable with one hand and shall not require tight grasping, pinching, or twisting of the wrist. The force required to activate controls shall be no more than 5lbf;

**4.34.6.6**—if ovens or cooktops have knee spaces underneath then they shall be insulated or otherwise protected on the exposed surfaces to prevent burns, abrasions, or electrical shock. The location of controls for ranges and cooktops shall not require reaching across burners.

## Electric cooktops

Front control

Regulation #/ Description:

**4.2.5**—maximum high forward reach for controls and operating mechanisms is 48", minimum low forward reach is 15";

**4.27.4**—controls and operating mechanisms must be operable with one hand and shall not require tight grasping, pinching, or twisting of the wrist. The force required to activate controls shall be no more than 5lbf;

**4.34.6.6**—if ovens or cooktops have knee spaces underneath then they shall be insulated or otherwise protected on the exposed surfaces to prevent burns, abrasions, or electrical shock. The location of controls for ranges and cooktops shall not require reaching across burners.

## Gas cooktops

Regulation #/ Description:

**4.2.5**—maximum high forward reach for controls and operating mechanisms is 48", minimum low forward reach is 15";

**4.27.4**—controls and operating mechanisms must be operable with one hand and shall not require tight grasping, pinching, or twisting of the wrist. The force required to activate controls shall be no more than 5lbf;

**4.34.6.6**—if ovens or cooktops have knee spaces underneath then they shall be insulated or otherwise protected on the exposed surfaces to prevent burns, abrasions, or electrical shock. The location of controls for ranges and cooktops shall not require reaching across burners.

## Free-standing ranges

Electric and gas

Regulation #/ Description:

**4.2.5**—maximum high forward reach for controls and operating mechanisms is 48", minimum low forward reach is 15";

**4.27.4**—controls and operating mechanisms must be operable with one hand and shall not require tight grasping, pinching, or twisting of the wrist. The force required to activate controls shall be no more than 5lbf;

**4.34.6.6**—if ovens or cooktops have knee spaces underneath then they shall be insulated or otherwise protected on the exposed surfaces to prevent burns, abrasions, or electrical shock. The location of controls for ranges and cooktops shall not require reaching across burners.

## Microwave ovens\*\*

Regulation #/ Description:

**4.2.5**—maximum high forward reach for controls and operating mechanisms is 48", minimum low forward reach is 15";

**4.27.4**—controls and operating mechanisms must be operable with one hand and shall not require tight grasping, pinching, or twisting of the wrist. The force required to activate controls shall be no more than 5lbf.

\*\*ADA compliant in the built-in configuration

## Dishwashers

Regulation #/ Description:

**4.2.5**—maximum high forward reach for controls and operating mechanisms is 48", minimum low forward reach is 15";

**4.27.4**—controls and operating mechanisms must be operable with one hand and shall not require tight grasping, pinching, or twisting of the wrist. The force required to activate controls shall be no more than 5lbf;

**4.34.6.9**—all rack space shall be accessible from the front of the machine for loading and unloading dishes.

## Laundry

Regulation #/ Description:

**4.2.5**—maximum high forward reach for controls and operating mechanisms is 48", minimum low forward reach is 15";

**4.27.4**—controls and operating mechanisms must be operable with one hand and shall not require tight grasping, pinching, or twisting of the wrist. The force required to activate controls shall be no more than 5lbf;

**4.34.7.2**—washing machines and clothes dryers shall be front loading.

## Room air conditioners

Regulation #/ Description:

**4.2.5**—maximum high forward reach for controls and operating mechanisms is 48", minimum low forward reach is 15";

**4.27.4**—controls and operating mechanisms must be operable with one hand and shall not require tight grasping, pinching, or twisting of the wrist. The force required to activate controls shall be no more than 5lbf.

\*ADA qualified based on Uniform Federal Accessibility Standards

GE has a policy of continuous improvement of its products and reserves the right to change materials and specifications without notice.

## Parts list

	Part Number	Description
<b>Stainless steel maintenance</b>	PM10X311	Cerama Bryte® stainless steel appliance cleaner
<b>Refrigeration</b>	IM6	GE® icemaker kit
	MWF	GE SmartWater™ replacement water filter
	MSWF	GE SmartWater replacement water filter
	GSWF	GE SmartWater slim replacement water filter
	WX08X10006	GE SmartConnect tubing for icemakers—6 ft. length
	WX08X10015	GE SmartConnect tubing for icemakers—15 ft. length
	PM14X10056	Appliance brush set
	WX10X10206	Cerama Bryte fridge cleaner
	WX10X25	Smells Begone®
<b>Cooking</b>	WB48X10056	Broiler pan/rack set—large (12-3/4 in. x 16-1/2 in.)
	WX9X6	4 ft. 3-wire 40-amp electrical range cord
	WX9X35	4 ft. 4-wire 40-amp electrical range cord
	WX10X300	Cerama Bryte glass-ceramic cooktop cleaner
	WX10X117GCS	Cerama Bryte cleaning kit—includes scraper, cleaning pads and 10 oz. bottle of cooktop cleaner
<b>Microwave ovens</b>	WB2X9883	Recirculating charcoal over-the-range filter
	WB2X4267	Recirculating charcoal over-the-range filter
	WX10X3030	Micro Bryte® microwave/appliance cleaner
<b>Dishwashers</b>	PM28X319	Universal 6 ft. dishwasher connector kit
	WX28X320	10 ft. drain hose/10 ft. universal connector kit
	WD35X151	Citric Acid cleaner
	WX10X10200	Dishwasher Magic®
	WX10X10019	Lemishine cleaner and deodorizer
<b>Disposers</b>	WX10X18	Disposer Care®
	PM3X211	Splash guard and stopper
	PM3X214	3-bolt mount adapter kit
<b>Clothes care</b>	PM14X10002	Rubber washer hose, 2-pack
	PM14X10005	Stainless steel washer hose, 2-pack
	PM8X73	UL-approved universal flexible dryer duct
	PM08X10084	UL-approved semi-rigid dryer duct kit—8 ft.
	PM15X104	Universal 48 in. gas dryer installation kit
	WX9X18	4 ft. 4-wire 30-amp electrical dryer cord
	WX9X2	4 ft. 3-wire 30-amp electrical dryer cord
	WX10X10201	Washer Magic®
	WX10X10011	Tide® washer cleaner

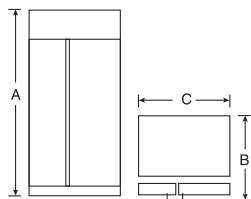
To order parts, please call 800.626.2002 or visit [geapplianceparts.com](http://geapplianceparts.com).

# GE Profile™ built-in side-by-side refrigerators

	GE Profile	
	PSB48VYSX PSB42VYSX	PSB48VYGX PSB42VYGX
Stainless steel model	●	
<b>Capacity</b>		
Total (cu. ft.)	29.5 / 25.2	29.5 / 25.2
Fresh food (cu. ft.)	18.7 / 15.6	18.7 / 15.6
Freezer (cu. ft.)	10.9 / 9.6	10.9 / 9.6
Shelf area (sq. ft.)	28.2 / 23.4	28.2 / 23.4
<b>Fresh food features</b>		
ClimateKeeper™ system	With dual evaporators	With dual evaporators
Multi-flow air system	●	●
Actual temp. display	●	●
Electronic sensors	●	●
Dispenser	Crushed ice, cubes, water	Crushed ice, cubes, water
Light	●	●
Door alarm	●	●
Quick Ice™ feature	●	●
GE water filtration system	MWF	MWF
Water filter indicator light	●	●
Cabinet shelves	4 glass	4 glass
Adjustable	3	3
Spillproof	4	4
Top drawer	Adj. humidity	Adj. humidity
Middle drawer	Adj. humidity	Adj. humidity
Bottom drawer	Deli drawer	Deli drawer
ClearLook™ door bins	4 (3 adj.)	4 (3 adj.)
Dairy compartment	●	●
Interior lighting	Dual-level	Dual-level
Quiet design	Premium	Premium
NeverClean™ condenser	●	●
<b>Freezer features</b>		
Factory-installed icemaker & bin	●	●
Wire slide-out baskets	2	2
Wire cabinet shelves	4 adj.	4 adj.
Fixed door bins	3	3
Interior lighting	Dual	Dual
<b>Exterior</b>		
Color(s) available*	SS	SV
Built-in configuration	No panel required	Panel required
Door handles	Sculptured stainless steel	Full-length visor
Accepts custom handles	N/A	●
Door hinge	Hydraulic damper design	Hydraulic damper design
Adjustable rollers	Front	Front
<b>Weights &amp; Dimensions</b>		
Height to top of hinge (in.) A	84	84
Case depth with door handle (in.) B	27	27
Width (in.) C	48/42	48/42
Approx. shipping wt. (lbs.)	591	549
Power/Rating	120V, 60Hz, 15Amps	120V, 60Hz, 15Amps

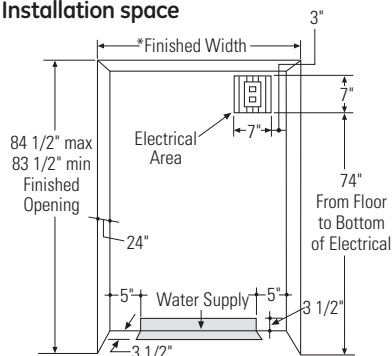
\*Color(s) available: SS = Stainless steel, SV = Stainless accents.  
 If installed against a wall, allow clearance of 4" on freezer side to remove bin.  
 Clearance required to remove fresh food full size pan without disassembling is 4".  
**ALL MODELS AVAILABLE IN U.S. AND CANADA.**

## Built-in refrigerators



**\*Installation information:**  
 Before installing, consult installation instructions packed with product for current dimensional data.

## Installation space



\*The finished cutout width must be:  
 41-1/2" for 42" models and 47-1/2" for 48" models

Above illustrations intended for dimensional reference only.  
 Refer to photography for actual product appearance.

## Panel-required refrigerators

Panel-required refrigerators are designed to be customized with decorative panels. Field-installed custom and grille panels are required. You may install 1/4"- or 3/4"-thick custom panels from your cabinet manufacturer.

### IMPORTANT NOTE: dispenser trim

The refrigerator is supplied with factory-installed dispenser trim.  
 • If panel is less than 1/4" thick, a noticeable gap will be created around the dispenser trim. Foam tape may be applied on the door to improve the fit.  
 • If panel is more than 1/4" thick, the panel will not fit behind the trim.

### IMPORTANT NOTE: panel weight

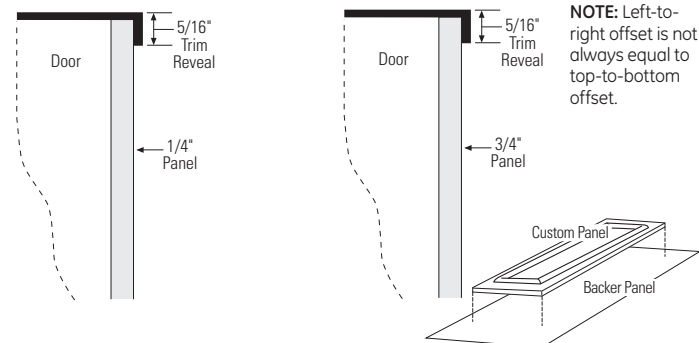
Maximum weight for Fresh Food panel is 70 pounds, 45 pounds total for Freezer (both upper and lower panels) and 15 pounds for grille panel.  
 .250 + .750 = 1.000 Maximum Total Panel Thickness

### 1/4" framed panel dimensions

If you choose to install framed panels, they must be cut to the dimensions shown. The panels will slide into the frame on the door and grille.

### 3/4" custom panel dimensions

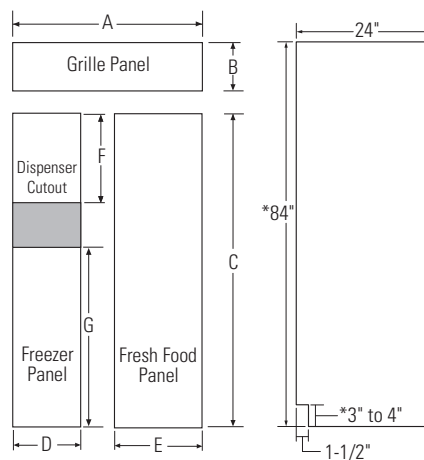
For a more custom appearance, 3/4" custom panels must be installed on trimmed models. The custom panel must be cut to dimensions specified below. The custom panel then slides into the trim.



**NOTE:** Left-to-right offset is not always equal to top-to-bottom offset.

### Front panel dimensions (in inches)

	A	B	C	D	E	F	G
42" models	39-15/16	10-3/4	67-7/8	16-7/16	22-11/32	17-13/16	35-5/32
48" models	45-31/32	10-3/4	67-7/8	18-15/32	26-15/32	17-13/16	35-5/32



### Side panels

Side panels (not supplied) must be used whenever the sides of the refrigerator will be exposed. The 1/4" side panels will slip into the side case trim. Order side panels from your cabinet manufacturer.  
 \*Depending on installation height.

## Flooring

For proper installation, this refrigerator must be placed on a level surface of hard material that is at the same height as the rest of the flooring. This surface should be strong enough to support a fully loaded refrigerator, or approximately 1500 lbs.

### Water and electrical locations

The opening must be prepared with the electrical and water supply located as shown.

### The cutout depth must be 24"

The refrigerator will project forward, slightly beyond adjacent cabinets, depending on your installation.

### Additional specifications

- A 120-volt, 60Hz, 15- or 20-amp power supply is required. An individual properly grounded branch circuit or circuit breaker is recommended. Install a properly grounded 3-prong electrical receptacle recessed into the back wall. Electrical must be located on rear wall as shown.
- **Note:** GFI (ground fault interrupter) is not recommended.
- Water line can enter the opening through the floor or rear wall. The water line installed should be 1/4" O.D. copper tubing or GE SmartConnect™ tubing between the cold water line and water connection location. The line should be long enough to extend to the front of the refrigerator. Installation of an easily accessible shutoff valve in the water line is required.

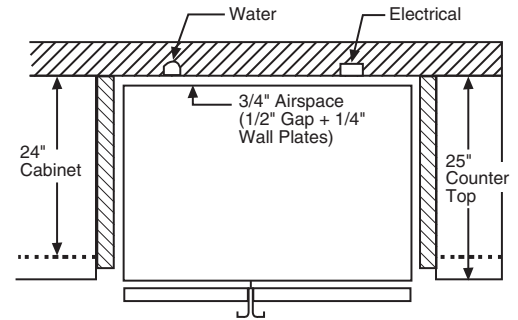
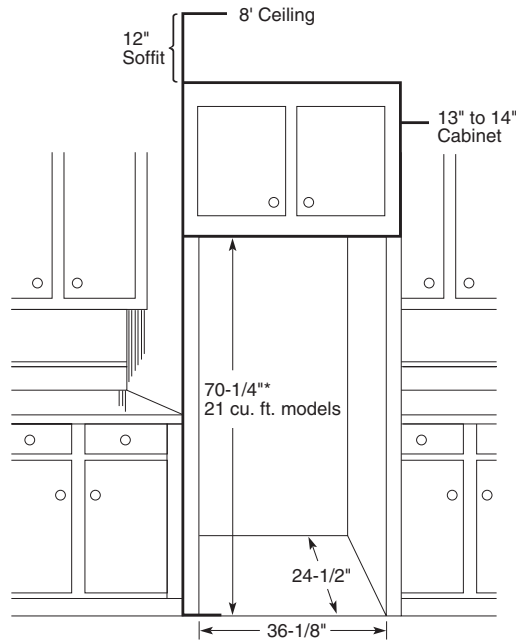
# GE Profile™ counter-depth bottom-freezer installation information & specifications

## Rough-in dimensions

### Standard, new construction and replacement installation

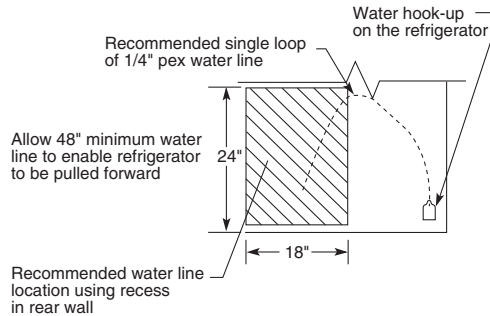
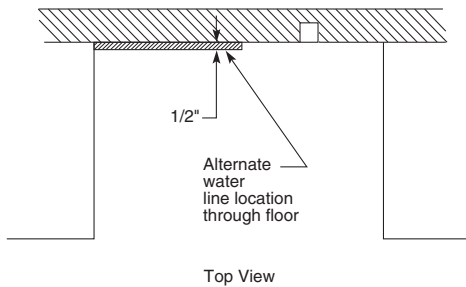
#### Installation tips to maximize the built-in look

- All wall/floor molding should be removed prior to installation.
- Water recess on rear wall recommended to prevent water line damage. 48" minimum length, 1/4"-diameter water line tubing recommended.
- When possible, recess both copper/pex water line and electrical outlet (see local codes).
- Front and rear leveling legs are adjustable for the built-in look (see owner's manual).



\*The rough-in dimensions of 70-1/4"/72-1/4" are minimum and measured from the finished floor to top of opening (or the underside of the overhead cabinets). For models with trim kit: If frameless style cabinets are planned for above the refrigerator, you may need to consider adding a maximum of 1/4" (70-1/2") to height of opening for 21 cu. ft. models to allow additional clearance between cabinet doors and top of refrigerator trim when cabinet doors are in open position.

## Installation of water outlets

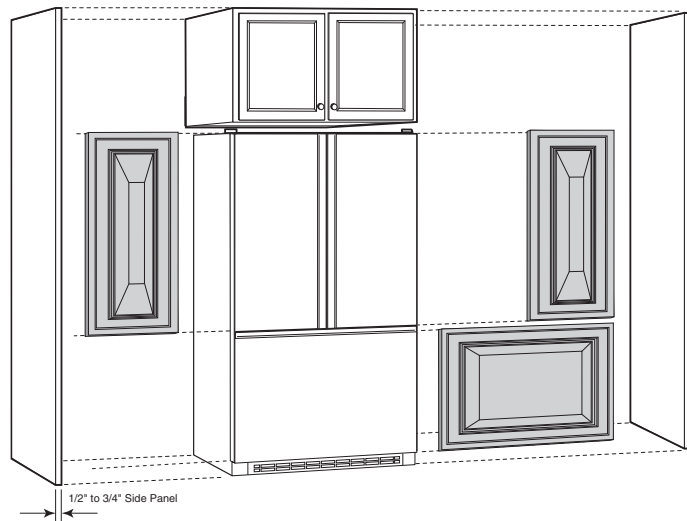


**IMPORTANT:** Before finalizing specifications for your GE Profile counter-depth refrigerator, please NOTE:

- A minimum width of 36" is required for refrigerator installation
- Be sure to allow for 1/2" or 3/4" side panels in addition to the 36" minimum

## Create a custom look for your GE Profile counter-depth bottom-freezer refrigerator

Still another advantage offered by GE Profile counter-depth refrigerators is ease of installation. For a refrigerator that does so much to enhance the beauty of your kitchen, the "behind-the-scenes" preparation and installation are surprisingly simple.



### Fabricating the enclosure

- The drawing shows an 84" cabinet elevation. Adjust dimensions accordingly for other cabinet elevations.
- Cabinet pieces to order: (2) side panels and (1) wall cabinet.
- Side panels will typically be attached to adjacent cabinets and/or cleated to rear wall and floor.
- Refer to GE refrigerator installation instructions for proper plumbing, and electrical and air clearances.
- (1) Some framed cabinet lines will make a refrigerator enclosure with a cabinet 12" high x 39" wide with sides and 1-1/2" face frame extended down to floor to create the refrigerator space. This will replace the above construction. (2) A tall cabinet on either side of the refrigerator can replace a side panel.
- Counter overhangs on either side of the refrigerator should have clipped corners to allow for full door swing.
- If the refrigerator has a wall returning beyond the front of the refrigerator on either side, a 2" tall filler will help allow for movement of the door.

### Door Panels

- See drawings for exact dimensions of the fresh-food and freezer door panels.
- Refrigerator door fronts from stock and most semi-custom cabinet manufacturers will be supplied as 1/4"-thick panels cut to dimensions, with closest available standard door sizes applied to front.
  - This will leave a "reveal" at top/bottom and sides. Width of "reveal" will depend on manufacturer's standard door sizes.
  - Door will be affixed on the 1/4" panels at factory or in the field by the local supplier, depending on manufacturer.
- Local shop-built or custom cabinet supplier may fabricate custom 3/4" panels. In this case, edges must be routed.
- Follow notes on drawing to assure room for fingers/hands to open handles.

**\*Installation information:** Before installing, consult installation instructions packed with product for current dimensional data.



## Door panel dimensions (in inches)

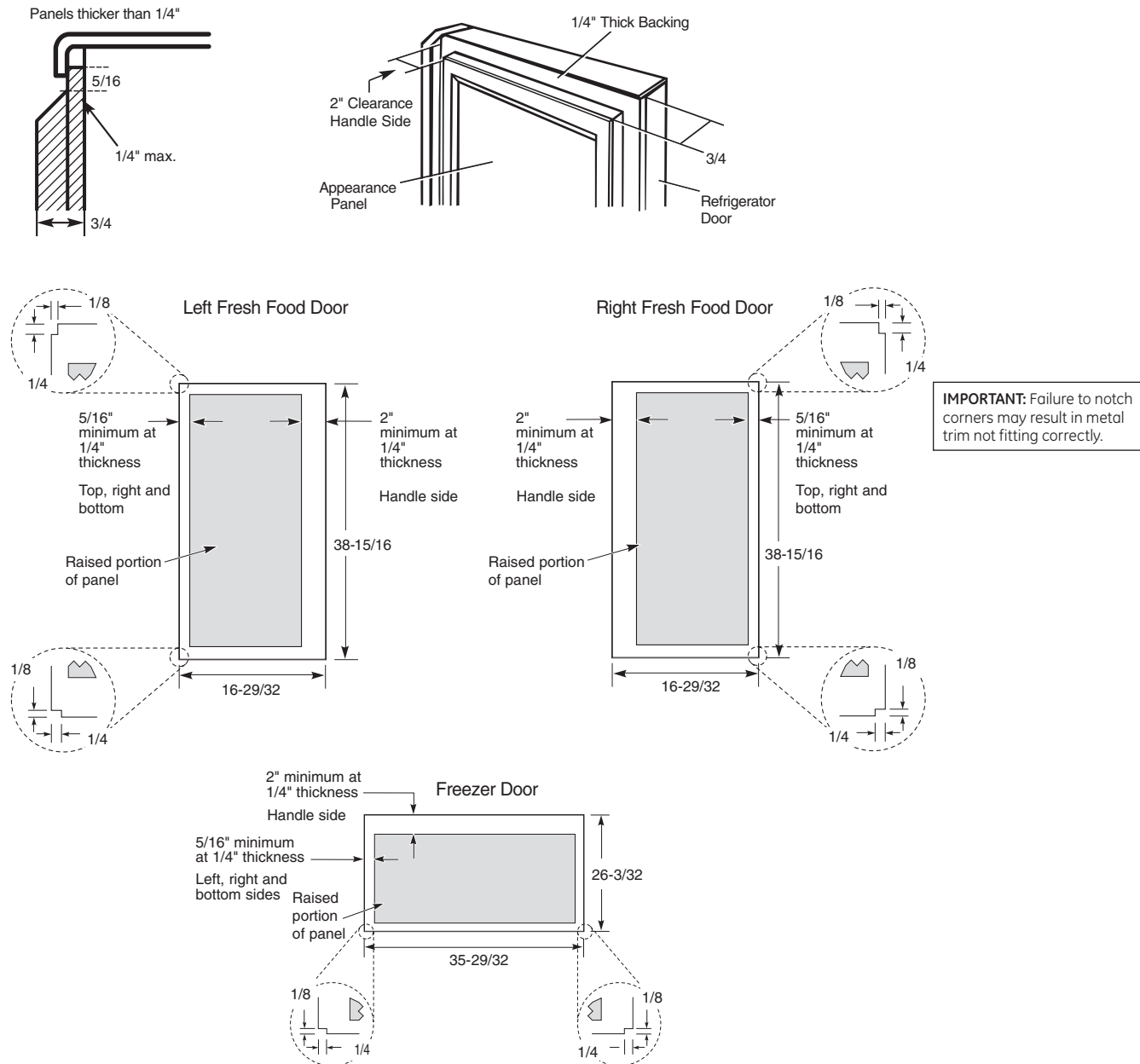
Order your own custom wood panels to match cabinetry or other decor.

Panels up to 1/4" thick or panels with 1/4" thick flanges will fit into your new counter-depth refrigerator. Follow these patterns to ensure they will fit securely. Add filler behind panels (see below) to ensure they will not rattle.

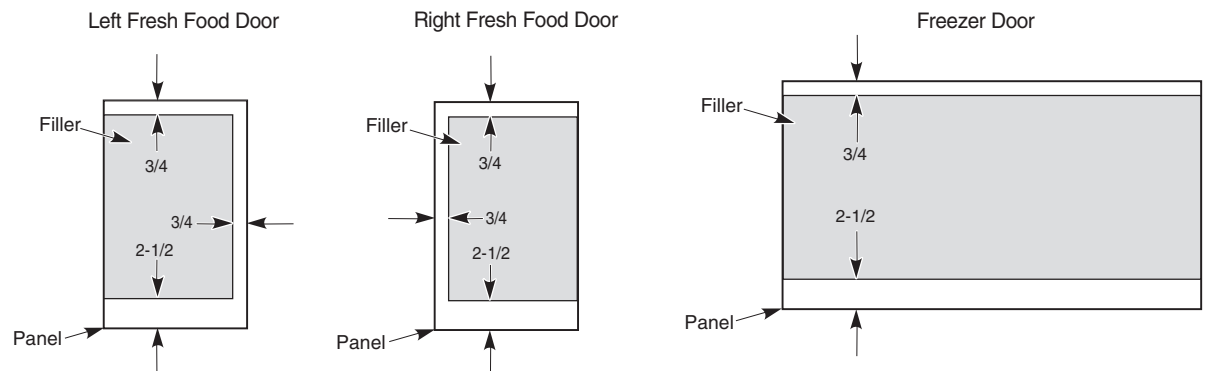
**Weight Limits:** Total weight of panels—Fresh Food = 10 lbs. each, Freezer = 18 lbs. max.

**Note:** Panels up to 3/4" will require special routing area around handles. Dimensions may vary depending on depth of panel.

### Dimensions for custom wood panels



### Panels less than 1/4" thick



Above illustrations intended for dimensional reference only. Refer to photography for actual product appearance.

See page 195 for warranty information.

# GE Café™ and GE Profile™ counter-depth French-door refrigerators

	GE Café		GE Profile	
	CYE24TSD	PYE24PSD	PYE24KSD PYE24KGD	PWE23KSD PWE23KGD
<b>ENERGY STAR® qualified</b>	●	●	●	●
Stainless steel model	●	●	● / –	● / –
French-door model	●	●	●	●
<b>Capacity</b>				
Total (cu. ft.)	23.5	23.5	23.5	23.2
Fresh food (cu. ft.)	16.1	16.1	16.1	15.8
Freezer (cu. ft.)	7.4	7.4	7.4	7.4
Shelf area (sq. ft.)				
<b>Fresh food features</b>				
TwinChill™ evaporators	●	●	●	●
External controls with actual-temperature display and child lock	LCD	LCD	●	
Internal electronic temperature controls				●
Door alarm	●	●	●	●
TurboCool™ setting	●	●	●	●
Cabinet shelves	5 glass	5 glass	5 glass	5 glass
Adjustable	4 split	4 split	4 split	4 split
Full-width	1	1	1	1
Spillproof	3	3	3	3
QuickSpace™ shelf	●	●	●	●
External water dispenser	Ice & water	Ice & water	Ice & water	
Hot water	●			
Hands-free Autofill		●		
Internal water dispenser				●
Advanced filtration system	RPWF	RPWF	RPWF	RPWF
Water filter indicator light	●	●	●	●
Crisper drawers	2	2	2	2
Full-width drawer	Electronic w/color LED lighting	Electronic w/LED lighting	1 adj. temp	Electronic w/LED lighting
Fresh food door bins	6 (3 adj. w/gallon storage)	6 (3 adj. w/gallon storage)	6 (3 adj. w/gallon storage)	6 adj. w/gallon storage
Drop-down tray	●	●	●	●
Dairy compartment	●	●	●	●
Showcase LED lighting	7 + colored full-width drawer	7 + full-width drawer	7	7
<b>Freezer features</b>				
Space-saving icemaker	●	●	●	
Factory-installed icemaker & bin				●
TurboFreeze™ setting	●	●	●	●
FrostGuard™ technology	●	●	●	●
Full-extension freezer baskets	3 plastic w/utility bin	3 plastic w/utility bin	3 plastic w/utility bin	3 plastic
Showcase LED lighting	2	2	2	2
<b>Exterior</b>				
Color(s) available*	SS	SS	SS BB	SS WW, BB
Door handles	Stainless steel	Stainless steel	Stainless steel Color-matched	Stainless steel Color-matched
Exterior design	Flat w/hidden hinges	Contoured w/hidden hinges	Contoured w/hidden hinges	Contoured w/hidden hinges
Textured steel case	Case only (gray)	Case only (gray)	● Stainless High-gloss	● Stainless High-gloss
Door	Stainless	Stainless	Stainless High-gloss	Stainless High-gloss
Door stops	●	●	●	●
Adjustable rollers	2	2	2	2
<b>Weights &amp; Dimensions</b>				
Height to top of hinge (in.) A	69-7/8	69-7/8	69-7/8	69-7/8
Height to top of case (in.) B	69	69	69	69
Case depth without door (in.) C †	24	24	24	24
Case depth less door handle (in.) D †	28-1/2	28-1/2	28-1/2	28-1/2
Case depth with door handle (in.) E †	31-1/8	31-1/8	31-1/8	31-1/8
Depth w/fresh food door open 90° (in.) F †	43	43	43	43
Width (in.) G	35-3/4	35-3/4	35-3/4	35-3/4
Width w/door open 90° w/door handle (in.) H	43-1/2	43-1/2	43-1/2	43-1/2
Each side (in.)	1/4	1/4	1/4	1/4
Top (in.)	1	1	1	1
Air clearances Back (in.)	1	1	1	1
Approximate shipping wt. (lbs.)				
Power/Rating	← 120V, 60Hz, 15Amps →			

\*Color(s) available: SS = Stainless steel, WW = White, BB = Black.  
 †Water hookup fits in back air clearance when calculating installation depth.  
 ††This does NOT include decorative panel

**ALL MODELS AVAILABLE IN U.S. AND CANADA.**

# GE Café, GE Profile and GE® French-door refrigerators

Refrigeration

Cooking products

Microwave ovens

Dishwashers

Clothes care

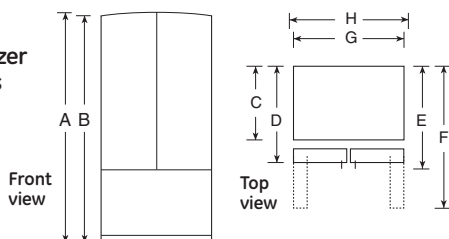
Water systems

Air conditioning

	GE Café	GE Profile		GE			
	CFE29TSD	PFE29PSD	PFE27KSD PFE27KGD	GFE29HSD GFE29HGD	GFE27GSD	GFE27GMD GFE27GGD	GNE26GSD GNE26GGD
<b>ENERGY STAR qualified</b>	●	●	●	●	●	●	●
Stainless steel model	●	●	● / -	● / -	●	●	● / -
French-door model	●	●	●	●	●	●	●
<b>Capacity</b>							
Total (cu. ft.)	28.6	28.6	26.7	28.6	26.7	26.7	26.3
Fresh food (cu. ft.)	19.6	19.6	18.2	19.6	18.2	18.2	17.8
Freezer (cu. ft.)	9.0	9.0	8.5	9.0	8.5	8.5	8.5
Shelf area (sq. ft.)	11.1	11.1	11.1	11.1	11.1	11.1	11.1
<b>Fresh food features</b>							
TwinChill evaporators	●	●	●	●	●	●	●
External controls with actual-temperature display and child lock	LCD	LCD	●	●	●	●	●
Door alarm	●	●	●	●	●	●	●
TurboCool setting	●	●	●	●	●	●	●
Cabinet shelves	5 glass	5 glass	5 glass	5 glass	5 glass	5 glass	5 glass
Adjustable	4 split	4 split	4 split	4 split	4 split	4 split	4 split
Full-width	1	1	1	1	1	1	1
Spillproof	3	3	3	3	3	3	3
QuickSpace shelf	●	●	●	●	●	●	●
External water dispenser	Ice & water	Ice & water	Ice & water	Ice & water	Ice & water	Ice & water	Ice & water
Hot water	●	●	●	●	●	●	●
Hands-free Autofill	●	●	●	●	●	●	●
Advanced filtration system	RPWF	RPWF	RPWF	RPWF	RPWF	RPWF	RPWF
Water filter indicator light	●	●	●	●	●	●	●
Crisper drawers	2	2	2	2	2	2	2
Full-width drawer	Electronic w/color LED lighting	Electronic w/ LED lighting	1 adj. temp.	1 adj. temp.	1 adj. temp.	1 adj. temp.	1 adj. temp.
Fresh food door bins	6 (3 adj. w/gallon storage)	6 (3 adj. w/gallon storage)	6 (3 adj. w/gallon storage)	6 (3 adj. w/gallon storage)	6 (3 adj. w/gallon storage)	6 (3 adj. w/gallon storage)	6 adj. w/gallon storage
Drop-down tray	●	●	●	●	●	●	●
Dairy compartment	●	●	●	●	●	●	●
Showcase LED lighting	7 + colored full-width drawer	7 + full-width drawer	7	5	5	5	5
<b>Freezer features</b>							
Space-saving icemaker	●	●	●	●	●	●	●
Factory-installed icemaker & bin	●	●	●	●	●	●	●
TurboFreeze setting	●	●	●	●	●	●	●
FrostGuard technology	●	●	●	●	●	●	●
Full-extension freezer baskets	3 plastic w/utility bin	3 plastic w/utility bin	2 full-width	3 plastic	2 full-width	2 full-width	3 plastic
Showcase LED lighting	2	2	2	2	2	2	2
<b>Exterior</b>							
Color(s) available*	SS	SS	SS BB	SS WW, BB	SS	ES WW, BB	SS WW, BB
Door handles	Stainless steel	Stainless steel	Stainless steel Color-matched	Stainless steel Color-matched	Stainless steel	Stainless steel Color-matched	Stainless steel Color-matched
Exterior design	Flat w/ hidden hinges	Contoured w/ hidden hinges	Contoured w/ hidden hinges	Contoured w/ hidden hinges	Contoured w/ hidden hinges	Contoured w/ hidden hinges	Contoured w/ hidden hinges
Textured steel case	Case only (gray)	Case only (gray)	● Case only (gray)	● Case only (gray)	Case only (gray)	● Case only (gray)	● Case only (gray)
Door	Stainless	Stainless	Stainless High-gloss	Stainless High-gloss	Stainless	Slate High-gloss	Stainless High-gloss
Door stops	●	●	●	●	●	●	●
Adjustable rollers	2	2	2	2	2	2	2
<b>Weights &amp; Dimensions</b>							
Height to top of hinge (in.) A	69-7/8	69-7/8	69-7/8	69-7/8	69-7/8	69-7/8	69-7/8
Height to top of case (in.) B	69	69	69	69	69	69	69
Case depth without door (in.) C †	29-1/4	29-1/4	29-1/4	29-1/4	29-1/4	29-1/4	29-1/4
Case depth less door handle (in.) D †	33-3/4	33-3/4	33-3/4	33-3/4	33-3/4	33-3/4	33-3/4
Case depth with door handle (in.) E †	35-7/8	36-1/8	36-1/8	36-1/8	36-1/8	36-1/8	36
Depth w/fresh food door open 90° (in.) F †	48	48	48	48	48	48	48
Width (in.) G	35-3/4	35-3/4	35-3/4	35-3/4	35-3/4	35-3/4	35-3/4
Width w/door open 90° w/door handle (in.) H	43-1/2	43-1/2	43-1/2	43-1/2	43-1/2	43-1/2	43-1/2
Air clearances							
Each side (in.)	1/4	1/4	1/4	1/4	1/4	1/4	1/4
Top (in.)	1	1	1	1	1	1	1
Back (in.)	1	1	1	1	1	1	1
Approximate shipping wt. (lbs.)	385	385	385	385	385	385	385
Power/Rating	120V, 60Hz, 15Amps						

\*Color(s) available: SS = Stainless steel, ES = Slate, WW = White, BB = Black.  
 †Water hookup fits in back air clearance when calculating installation depth.  
 ††This does NOT include decorative panel.  
**ALL MODELS AVAILABLE IN U.S. AND CANADA.**

## French-door bottom-freezer refrigerators



Listed by Underwriters Laboratories

Above illustrations intended for dimensional reference only. Refer to photography for actual product appearance.

See page 195 for warranty information.

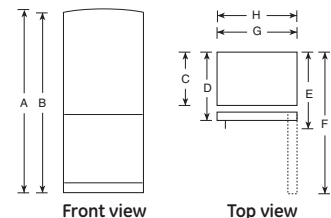
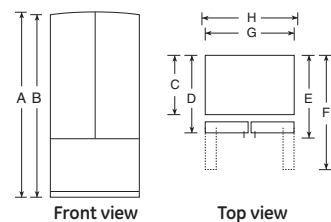
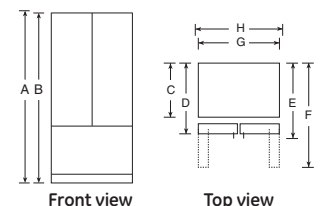
# GE Café™, GE Profile™ and GE® bottom-freezer refrigerators

	GE Café		GE Profile					
	Counter-depth models							
	CFCP1N1Z	PGCS1RKZ PGCS1NFZ	PF1C1NFZ	PDCS1NCZ	PGSS5RKZ PGSS5NFZ	PFSS2MJY PFSS2M1Y	PFSS2MIY PFSS2MIY	
<b>ENERGY STAR® qualified</b>								
Counter-depth	●	●	●	●		●	●	
Stainless steel model	●	●		●	●	● / -	● / -	
French-door model	●	●	●		●	●	●	
Armoire styling	●	●			●			
<b>Capacity</b>								
Total (cu. ft.)	20.7	20.7/20.5	20.7	20.9	24.8/24.7	22.0	22.0	
Fresh food (cu. ft.)	14.5	14.7/14.5	14.5	14.7	17.4/17.3	15.4	15.4	
Freezer (cu. ft.)	6.2	6.0	6.2	6.2	7.4	6.6	6.6	
Shelf area (sq. ft.)	23.9	25.2/23.9	23.9	25.2	32.0/30.4	27.7	27.7	
<b>Fresh food features</b>								
ClimateKeeper™ system	●	●	●	●	●	●	●	
External controls with actual-temperature display and child lock		● / -			● / -	●		
Internal electronic temperature controls	●	- / ●	●	●	- / ●			
Door alarm	●	●	●	●	●	●	●	
Upfront temperature controls							Electronic	
TurboCool™ setting	●	●	●	●	●	●		
Cabinet shelves	5 glass	6 glass/5 glass	5 glass	5 glass	6 glass/5 glass	5 glass	5 glass	
Adjustable	4 split	5 split/4 split	4 split	4 split	5 split/4 split	4 split	4 split	
Slide-out	3	2/3	3	3	2/3	3	3	
Spillproof	3	4/3	3	3	4/3	2	2	
QuickSpace™ shelf	●	●	●	●	●	●	●	
Drop-down shelf		● / -			● / -			
External water dispenser		Ice & water / -			Ice & water / -	●		
Internal water dispenser	●						●	
GE water filtration	MWF	MWF	MWF		MWF	MWF	MWF	
Water filter indicator light	●	●	●	●	●	●	●	
Freshness Center™								
Crisper drawers	2 adj. humidity	2 adj. humidity	2 adj. humidity	2 adj. humidity	2 adj. humidity	2 adj. humidity	2 adj. humidity	
Full-width drawer	1 adj. temp	1 adj. temp	1 adj. temp	1 adj. temp	1 adj. temp			
Snack drawer						1 adj. temp	1 adj. temp	
ClearLook™ adjustable gallon door bins	4 (1 fixed)	2 (1 fixed)/4 (1 fixed)	4 (1 fixed)	4 (1 fixed)	2 (1 fixed)/4 (1 fixed)	3 (2 fixed)	3 (2 fixed)	
In-the-door beverage storage	Wire beverage rack	Wire beverage rack	Wire beverage rack	Wire beverage rack	Wire beverage rack			
Snuggler™ clip(s)	2	2	2	2	2	2	2	
Dairy compartment	●	●	●	●	●	●	●	
BrightSpace™ interior lighting	GE Reveal®	LED w/ramp-up GE Reveal	GE Reveal	GE Reveal	LED w/ramp-up GE Reveal	GE Reveal	GE Reveal	
<b>Freezer features</b>								
Factory-installed icemaker & bin	●	In-the-door / ●	●	●	In-the-door / ●	●	●	
FrostGuard™ technology	●	●	●	●	●	●	●	
Multi-level Slide 'n Store™ full-extension freezer bins	1 f/w, 1 split	2 f/w	1 f/w, 1 split	1 f/w, 1 split	2 f/w			
Full-extension freezer bins						2 f/w, 1 split	2 f/w, 1 split	
Slide-out wire basket(s)								
Wire compartment shelves								
Door shelves								
BrightSpace interior lighting	GE Reveal	LED/GE Reveal	GE Reveal	GE Reveal	LED/GE Reveal	GE Reveal	GE Reveal	
<b>Exterior</b>								
Color(s) available*	SS	SS	WW, BV	SS	SS	SS WW, BB	SS WW, BB	
Sculptured door handles	GE Café stainless steel	Stainless steel	Color-matched full-length visor	Stainless steel	Stainless steel	Stainless steel Color-matched	Stainless steel Color-matched	
Exterior design	Hidden hinge	Contoured w/ top & bottom bevels	Squared doors	Contoured w/ top & bottom bevels	Contoured w/ top & bottom bevels	Contoured w/ top & bottom bevels	Contoured w/ top & bottom bevels	
Textured steel case	Case only (gray)	Case only (gray)	Case only	Case only (gray)	Case only (gray)	Case only (gray) Case only Stainless High-gloss	Case only (gray) Case only Stainless High-gloss	
Door	Stainless	Stainless	Requires panels	Stainless	Stainless			
Door stops	●	●	●	●	●	●	●	
Reversible doors								
Right or Left door opening				●				
Adjustable rollers	Front and rear	Front and rear	Front and rear	Front and rear	Front	Front	Front	
<b>Weights &amp; Dimensions</b>								
Height to top of hinge (in.) A	69-5/8	69-5/8	69-5/8	69-5/8	69-5/8	68-5/8	68-5/8	
Height to top of case (in.) B	69	69	69	69	69	67-3/4	67-3/4	
Case depth without door (in.) C †	23-7/8	23-7/8	23-7/8	23-7/8	28	28-1/4	28-1/4	
Case depth less door handle (in.) D †	28-1/2	28-1/2	26-3/4††	28-1/2	32-1/2	32-1/2	33	
Case depth with door handle (in.) E †	31-3/8	31	31	31	35-1/8/35	35	35	
Depth w/fresh food door open 90° (in.) F †	43-1/2	43-1/8	43-1/2	61-5/8	47-1/2	46-1/8	46-1/8	
Width (in.) G	35-7/8	35-3/4	35-7/8	35-7/8	35-3/4	32-3/4	32-3/4	
Width w/door open 90° w/door handle (in.) H	44	44	44	37-7/8	44	40-5/8	40-5/8	
Air clearances								
Each side (in.)	1/8	1/8	1/8	1/8	1/8	1/8	1/8	
Top (in.)	1	1	1	1	1	1	1	
Back (in.)	1/2	1/2	1/2	1/2	1	1/2	1/2	
Approximate shipping wt. (lbs.)	395	363/398	363	358	388/398	315	315	
Power/Rating	120V, 60Hz, 15Amps							
White acrylic			PFPK21NWW					
Black acrylic			PFPF21NBB					

\*Color(s) available: SS = Stainless steel, CC=Bisque, WW = White, BB = Black.

GE						
	PFSS0MFZ PFSF0MFZ	GFSS2HCY GFSF2HCY	GDSL3KCY GDSC3KCY	GDSS0KCX GDSL0KCX	GDSC0KCX	GBSLOHCX GBSCOHCX GBSCOHBX
	●	●	●	●	●	●
	● / -	● / -		● / -		
	●	●				
	19.5	22.0	22.7	20.2	20.2	20.3
	13.5	15.4	16.3	14.1	14.1	14.1
	6.0	6.6	6.4	6.1	6.1	6.2
	●					
	●					
	Electronic	Electronic	Electronic	Electronic	Electronic	●
	4 glass	4 glass	4 glass	4 glass	4 glass	3 glass
	4 split	2 split, 1 f/w	4 split	4 split	4 split	2 split, 1 f/w
	3		4	4	4	
	3					
	●					
	MSWF					
	●					
	2 adj. humidity	2 clear	2 adj. humidity	2 adj. humidity	2 adj. humidity	2 clear
	1 adj. temp	Clear	Clear	Clear	Clear	Clear
	3 (2 fixed)	5 (3 adj. 2 fixed)	5 (4 adj. 1 f/w fixed)	5 (4 adj. 1 f/w fixed)	5 (4 adj. 1 f/w fixed)	3 (2 f/w)
	2		1	1	1	
	●	●	●	●	●	●
	GE Reveal	GE Reveal	GE Reveal	GE Reveal	GE Reveal	GE Reveal
	●	●	●	●	●	● / ● / Opt. (IM4A)
	●	●	●	●	●	●
	2 f/w, 1 split	1 f/w, 1 split	1 f/w, 1 split	1 f/w, 1 split	1 f/w, 1 split	1 f/w 1 split
	GE Reveal	●	●	●	●	●
	SS WW, BB	SS WW, BB	CleanSteel™ WW, BB	SS CleanSteel	WW, BB	CleanSteel WW, BB WW, CC, BB
	Stainless steel Color-matched Contoured w/ top & bottom bevels	Stainless Color-matched Contoured w/ crown doors	Stainless Color-matched Contoured w/ crown doors	Stainless Contoured w/ crown doors	Color-matched Contoured w/ crown doors	Stainless Color-matched Color-matched Contoured w/ crown doors
	Case only (gray) Case only Stainless High-gloss	Case only (gray) Case only	Case only (gray) Case only	Case only (gray)	●	Case only (gray) Case only Case only
	●	●	●	●	●	●
			WR49X10189 WR49X10184, WR49X10185	WR49X10189	WR49X10184, WR49X10185	WR49X10189 WR49X10184, WR49X10185 WR49X10184, WR49X10186, WR49X10185
	Front	Front	Front	Front	Front	Front
	66-1/2	69-3/8	68-1/2	66-1/2	66-1/2	66-1/2
	65-3/4	67-3/4	67-3/4	65-3/4	65-3/4	65-3/4
	28-3/4	28-1/4	28-3/4	28-3/4	28-3/4	28-3/4
	33	32-1/2	33	32-1/2	32-1/2	32-1/2
	35-1/4	34-7/8	35-1/8	34-5/8	34-5/8	33-7/8
	46-1/8	46-5/8	62-3/4	59-3/4	59-3/4	59-3/4
	29-3/4	33	32-3/4	29-3/4	29-3/4	29-3/4
	40-5/8	40-3/8	36	33-1/4	33-1/4	33-1/4
	1/8	1/8	1/8	1/8	1/8	1/8
	1	1	1	1	1	1
	1/2	3/4	3/4	3/4	3/4	3/4
	309	315	308	308	308	308
	← 120V, 60Hz, 15Amps →			← 120V, 60Hz, 15Amps →		

Bottom-freezer refrigerators



Listed by Underwriters Laboratories

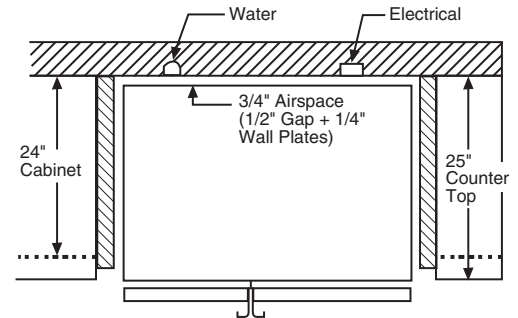
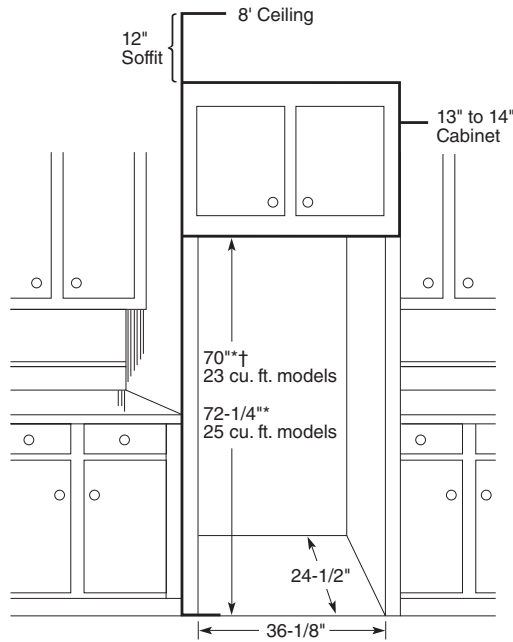
# GE Profile™ and GE® counter-depth side-by-side installation information & specifications

## Rough-in dimensions

### Standard, new construction and replacement installation

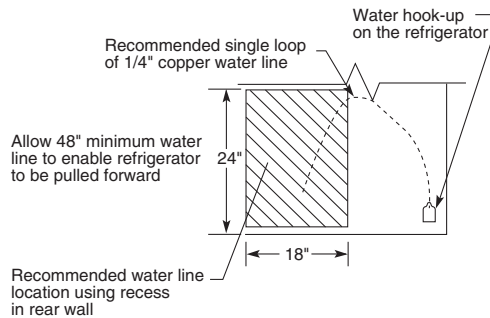
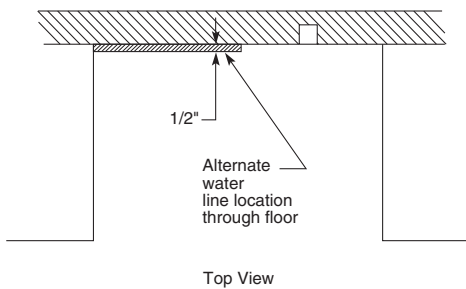
#### Installation tips to maximize the built-in look

- All wall/floor molding should be removed prior to installation.
- Water recess on rear wall recommended to prevent water line damage. 48" minimum length, 1/4"-diameter water line tubing recommended.
- When possible, recess both copper water line and electrical outlet (see local codes).
- Front and rear leveling legs are adjustable for the built-in look (see owner's manual).
- If optional collar trim kit is to be used or anticipated, see collar trim installation on next page for different rough-in dimensions.



\*The rough-in dimensions of 70" for 23 cu. ft. models and 72-1/2" for 25 cu. ft. models are minimum and measured from the finished floor to top of opening (or the underside of the overhead cabinets). For models with trim kit: If frameless style cabinets are planned for above the refrigerator, you may need to consider adding a maximum of 1/4" (70-1/4") to height of opening for 23 cu. ft. models and 1/8" (72-5/8") for 25 cu. ft. models to allow additional clearance between cabinet doors and top of refrigerator trim when cabinet doors are in open position.  
†Model PSDW3YGX is 71-3/4".

## Installation of water outlets

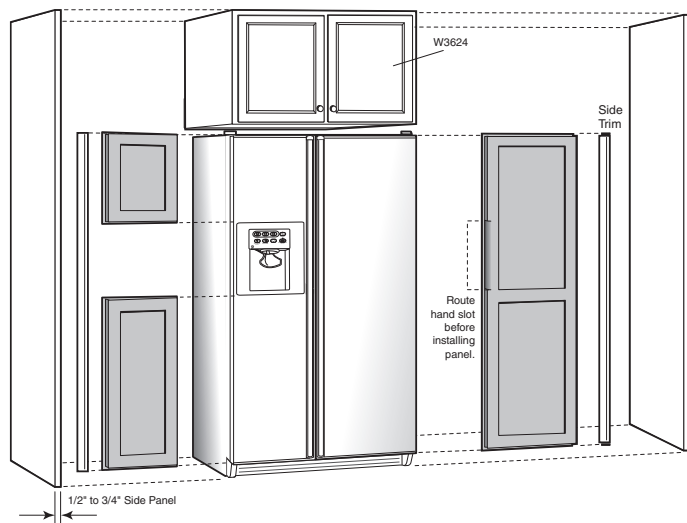


**IMPORTANT:** Before finalizing specifications for your GE Profile counter-depth refrigerator, please NOTE:

- A minimum width of 36" is required for refrigerator installation
- Be sure to allow for 1/2" or 3/4" side panels in addition to the 36" minimum

## Create a custom look for your GE Profile counter-depth side-by-side refrigerator

Still another advantage offered by GE Profile counter-depth refrigerators is ease of installation. For a refrigerator that does so much to enhance the beauty of your kitchen, the "behind-the-scenes" preparation and installation are surprisingly simple.



### Fabricating the enclosure

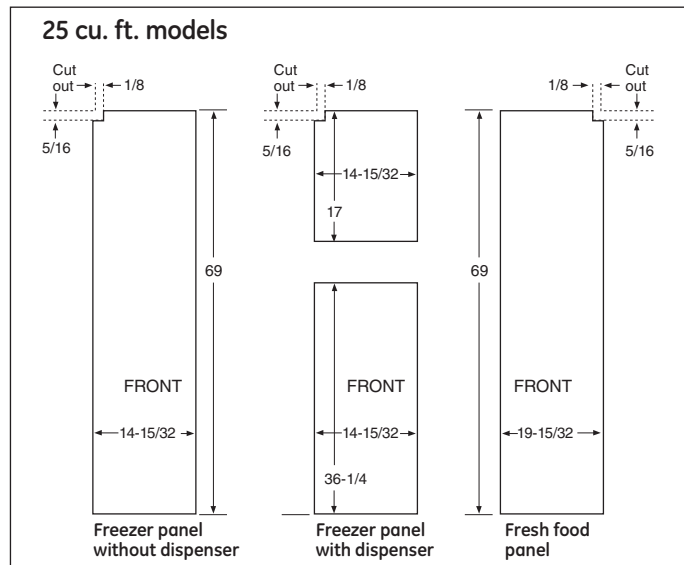
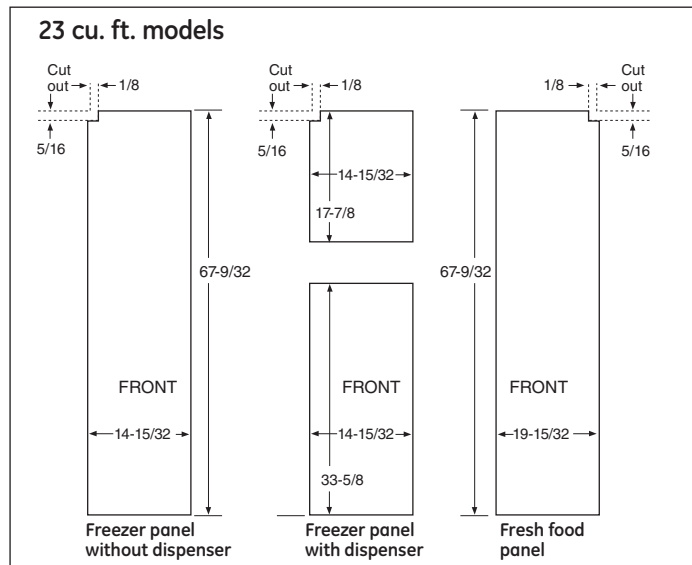
- The drawing shows an 84" cabinet elevation. Adjust dimensions accordingly for other cabinet elevations.
- Cabinet pieces to order: (2) side panels and (1) wall cabinet.
- Side panels will typically be attached to adjacent cabinets and/or cleated to rear wall and floor.
- Refer to GE refrigerator installation instructions for proper plumbing, and electrical and air clearances.
- (1) Some framed cabinet lines will make a refrigerator enclosure with a cabinet 12" high x 39" wide with sides and 1-1/2" face frame extended down to floor to create the refrigerator space. This will replace the above construction. (2) A tall cabinet on either side of the refrigerator can replace a side panel.
- Counter overhangs on either side of the refrigerator should have clipped corners to allow for full door swing.
- If the refrigerator has a wall returning beyond the front of the refrigerator on either side, a 2" tall filler will help allow for movement of the door.

### Door Panels

- See drawings for exact dimensions of the fresh food and freezer door panels.
- Refrigerator door fronts from stock and most semi-custom cabinet manufacturers will be supplied as 1/4"-thick panels cut to dimensions, with closest available standard door sizes applied to front.
  - This will leave a "reveal" at top/bottom and sides. Width of "reveal" will depend on manufacturer's standard door sizes.
  - Door will be affixed on the 1/4" panels at factory or in the field by the local supplier, depending on manufacturer.
- Local shop-built or custom cabinet supplier may fabricate custom 3/4" panels. In this case, edges must be routed.
- Follow notes on drawing to assure room for fingers/hands to open handles.

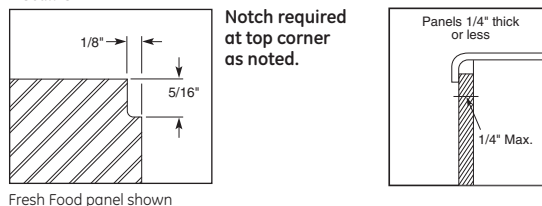
**\*Installation information:** Before installing, consult installation instructions packed with product for current dimensional data.

## Door panel dimensions



Order your own custom wood panels to match cabinetry or other decor. Panels up to 1/4" thick will fit door frame with no special preparation. Add filler behind material thinner than 1/4" for proper fit.  
**Weight Limits:** Total weight of panels (i.e., both freezer panels)—Fresh Food = 38 lbs., Freezer = 28 lbs.  
**Note:** Panels up to 3/4" will require special routing area around handles. Dimensions may vary depending on depth of panel.

### Detail C

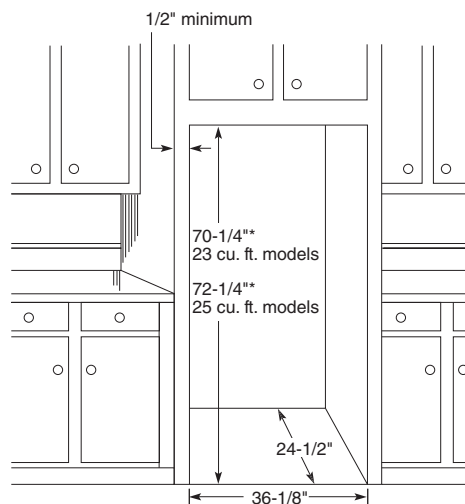


## Collar trim installation

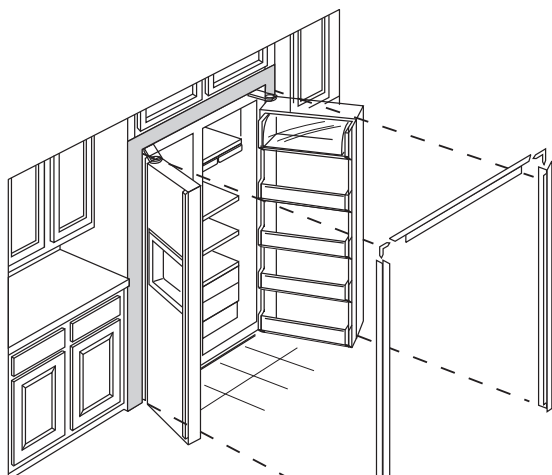
An enclosure is **required** to match up to the trim (see Typical Installation). To obtain the most integrated look, the cabinet or soffit above the refrigerator should extend out to the same depth as the side panels. The refrigerator opening must have minimum dimensions of 70-1/4" high x 36-1/8" wide x 24-1/2" deep for **23 cu. ft. models** and 72-1/4" high x 36-1/8" wide x 24-1/2" for **25 cu. ft. models**, as shown at right. If there is an overhead cabinet, allow 1" for cabinet door clearance with the top trim piece so the cabinet doors can be opened without hitting the top trim. If 1/2" side panels are used, then side trim and panel will be even. If 3/4" side panels are used, then some of the side panel will extend beyond the trim and must be finished.

**IMPORTANT:** Before finalizing specifications for your GE Profile counter-depth refrigerator, please NOTE:

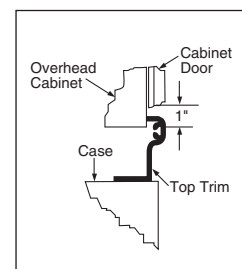
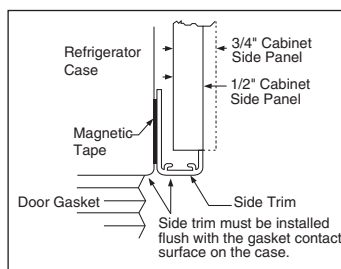
- A minimum width of 36-1/8" is required for refrigerator installation with collar
- Be sure to allow for 1/2" or 3/4" side panels in addition to the 36-1/8" minimum



\*The rough-in dimensions of 70-1/4"/72-1/4" are minimum and measured from the finished floor to top of opening (or the underside of the overhead cabinets). For models with trim kit: If frameless style cabinets are planned for above the refrigerator, you may need to consider adding a maximum of 1/4" (70-1/2") to height of opening for 23 cu. ft. models and 1/8" (72-3/8") for 25 cu. ft. models to allow additional clearance between cabinet doors and top of refrigerator trim when cabinet doors are in open position.



**Typical Installation**  
 Shaded areas represent front surfaces of side panels and overhead cabinet or soffit that contacts trim.



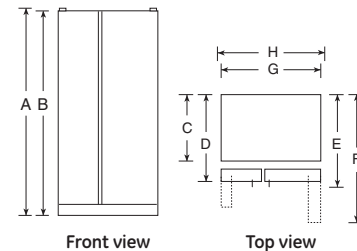
# GE Café™ and GE Profile™ counter-depth side-by-side refrigerators

	GE Café		GE Profile	
	CSCPSUGX	PSDS5YGX	PSCS5RGX	PSCF5RGX
<b>ENERGY STAR® qualified</b>		●		●
ADA compliant	●	●		●
<b>Capacity</b>				
Total (cu. ft.)	24.6	24.6		24.6
Fresh food (cu. ft.)	15.28	15.28		15.28
Freezer (cu. ft.)	9.32	9.32		9.32
Shelf area (sq. ft.)	20.7	20.6		20.7
<b>Fresh food features</b>				
ClimateKeeper™ system	●	●		●
Dual evaporators	●	●		●
Multi-flow air system	●	●		●
Electronic sensors	●	●		●
Actual-temperature display	●	●		●
External controls	●	4.3" LCD		●
TurboCool™ setting	●	●		●
GE water filtration system	MSWF	MSWF		MSWF
UltraFlow™ dispenser	Crushed ice, cubes, water	Crushed ice, cubes, water		Crushed ice, cubes, water
Integrated design		●		●
PreciseFill		●		●
Light	●	LED		LED
Child lock and door alarm	●	●		●
Quick Ice™ feature	●	●		●
Water filter indicator light	●	●		●
Cabinet shelves	4 glass	4 glass		4 glass
Adjustable	3	3		3
Slide-out, spillproof	2 (3 spillproof)	2 (3 spillproof)		2 (3 spillproof)
Crisper cover (fixed)	1	1		1
QuickSpace™ shelf	●	●		●
Integrated shelf support system	●	●		●
Snugger™ clip(s)	2	1		2
Freshness Center™ (3-stack drawer system)	●	●		●
Top drawer	Adj. temp.	Adj. temp.		Adj. temp.
Middle drawer	Adj. humidity	Adj. humidity		Adj. humidity
Bottom drawer	ExpressChill™	CustomCool™ w/full-extension		Sealed
ClearLook™ door bins	5 (4 adj.)	4 (3 adj.)		5 (4 adj.)
In-the-door beverage storage	Wire beverage rack	Electronic beverage center		Wire beverage rack
BrightSpace™ interior lighting	GE Reveal®	LED		GE Reveal
<b>Freezer features</b>				
QuickFreeze setting		●		
FrostGuard™ technology	●	●		●
Integrated Ice™ system	●	●		●
Wire slide-out baskets	3 (2 full-extension)	4 (3 full-extension)		3 (2 full-extension)
Wire cabinet shelves	3	2		3
Wire tilt-out door bin(s)	2 adj.	2 adj.		2 adj.
Fixed door bin	1	1		1
BrightSpace interior lighting	GE Reveal	GE Reveal		GE Reveal
<b>Exterior</b>				
Color(s) available*	SS	SS		SS WW, BB
Counter-depth configuration	No panel required	No panel required		No panel required
Door handles*	GE Café Stainless	Sculptured stainless steel		Sculptured stainless steel CM sculptured
Door design	Flat	Flat front w/rounded sides		Flat front w/rounded sides High-gloss flat front w/rounded sides Case only (gray)
Textured steel door and case	Top	Case only (gray)		Case only
Adjustable rollers	Front	All		All
<b>Weights &amp; Dimensions</b>				
Height to top of hinge (in.) A	72	72-1/8		72-1/8
Height to top of case (in.) B	71-5/8	71-5/8		71-5/8
Case depth without door (in.) C	23-7/8	23-7/8		23-7/8
Case depth less door handle (in.) D	27-1/8	27-1/8		27-1/8
Case depth with door handle (in.) E	29-3/4	29-5/8		29-5/8
Depth w/fresh food door open 90° (in.) F	46	46		46
Width (in.) G	36	35-3/4		35-3/4
Width w/door open 90° w/door handle (in.) H	41-5/8	41-3/8		41-3/8
Each side (in.)	1/8	1/8		1/8
Top (in.)	1	1		1
Air clearances Back (in.)	1	1/2		1/2
Approx. shipping wt. (lbs.)	424	424		424
Power/Rating	← 120V, 60Hz, 15Amps →			
<b>Accessories</b>				
Factory trim kit attached	N/A	N/A		N/A
Black collar trim (optional)	N/A	N/A		N/A
White collar trim (optional)	N/A	N/A		N/A
Stainless steel collar trim (optional)	N/A	N/A		N/A

\*Color(s) available: SS = Stainless steel, WW = White, BB = Black, CM = Color-Matched.  
If installed against a wall, allow clearance of 14" on freezer side to remove bin. Clearance required to remove fresh food full-size pan without disassembling is 18-5/8".

ALL MODELS AVAILABLE IN U.S. AND CANADA.

Side-by-side refrigerators



Listed by  
Underwriters  
Laboratories



# GE Profile and GE® counter-depth side-by-side refrigerators

Refrigeration

Cooking products

Microwave ovens

Dishwashers

Clothes care

Water systems

Air conditioning

	GE Profile				GE
	PSDW3YGX	PSDS3YGX	PSCS3RGX PSCF3RGX	PSIC3RGX	GSCS3PGX GSCF3PGX
<b>ENERGY STAR qualified</b>	●	●	●	●	●
ADA compliant	●	●	●	●	●
<b>Capacity</b>					
Total (cu. ft.)	23.2	23.2	23.3	23.3	22.7
Fresh food (cu. ft.)	14.55	14.55	14.75	14.75	14.40
Freezer (cu. ft.)	8.61	8.61	8.59	8.59	8.26
Shelf area (sq. ft.)	19.6	19.6	18.9	18.9	19.0
<b>Fresh food features</b>					
ClimateKeeper system	●	●	●	●	●
Dual evaporators	●	●	●	●	●
Multi-flow air system	●	●	●	●	●
Electronic sensors	●	●	●	●	●
Actual-temperature display	●	●	●	●	●
External controls	4.3" LCD	4.3" LCD	●	●	●
TurboCool setting	●	●	●	●	●
GE water filtration system	MSWF	MSWF	MSWF	MSWF	MSWF
UltraFlow <sub>100</sub> dispenser	Crushed ice, cubes, water	Crushed ice, cubes, water	Crushed ice, cubes, water	Crushed ice, cubes, water	Crushed ice, cubes, water
Integrated design	●	●	●	●	●
PreciseFill	●	●	●	●	●
Light	LED	LED	LED	LED	●
Child lock and door alarm	●	●	●	●	●
Quick Ice feature	●	●	●	●	●
Water filter indicator light	●	●	●	●	●
Cabinet shelves	4 glass	4 glass	4 glass	4 glass	4 glass
Adjustable	3	3	3	3	3
Slide-out, spillproof	2 (3 spillproof)	2 (3 spillproof)	2 (3 spillproof)	2 (3 spillproof)	2 (3 spillproof)
Crisper cover (fixed)	1	1	1	1	1
QuickSpace shelf	●	●	●	●	●
Integrated shelf support system	●	●	●	●	●
Snugger clips	1	1	2	2	●
Freshness Center (3-stack drawer system)	●	●	●	●	●
Top drawer	Adj. temp.	Adj. temp.	Adj. temp.	Adj. temp.	Sealed
Middle drawer	Adj. humidity	Adj. humidity	Adj. humidity	Adj. humidity	Adj. humidity
Bottom drawer	CustomCool w/full-extension	CustomCool w/full-extension	Sealed	Sealed	Sealed
ClearLook door bins	3 (2 adj.)	3 (2 adj.)	4 (3 adj.)	4 (3 adj.)	4 (3 adj.)
In-the-door beverage storage	Electronic beverage center	Electronic beverage center	Wire beverage rack	Wire beverage rack	Plastic can rack
BrightSpace interior lighting	LED	LED	GE Reveal	GE Reveal	GE Reveal
<b>Freezer features</b>					
QuickFreeze setting	●	●	●	●	●
FrostGuard technology	●	●	●	●	●
Integrated Ice system	●	●	●	●	●
Wire slide-out baskets	4 (3 full-extension)	4 (3 full-extension)	3	3	1
Wire cabinet shelves	2	2	3	3	3
Wire tilt-out door bins	3 (2 adj.)	3 (2 adj.)	2 adj.	2 adj.	●
Door bin	●	●	1	1	3 (2 adj.)
BrightSpace interior lighting	GE Reveal	GE Reveal	GE Reveal	GE Reveal	GE Reveal
<b>Exterior</b>					
Color(s) available*	SS	SS	SS WW, CC, BB	WW, BV	SS WW, BB
Counter-depth configuration	No panel required	No panel required	No panel required	Panel required	No panel required
Door handles*	Sculptured stainless steel	Sculptured stainless steel	Sculptured stainless steel CM sculptured	CM full-length visor	Stainless steel CM
Door design	Full-wrap	Flat front w/rounded sides	Flat front w/rounded sides High-gloss flat front w/rounded sides Case only (gray)	Squared doors	Flat front w/rounded sides High-gloss flat front w/rounded sides Case only (gray)
Textured steel door and case	●	●	●	●	●
Adjustable rollers	All	All	All	All	Front
<b>Weights &amp; Dimensions</b>					
Height to top of hinge (in.) A	70-1/2	69-5/8	69-5/8	69-1/4	69-1/4
Height to top of case (in.) B	68-3/4	68-3/4	68-3/4	68-3/4	68-3/4
Case depth without door (in.) C	23-7/8	23-7/8	23-7/8	23-7/8	23-7/8
Case depth less door handle (in.) D	27-3/4	27-1/8	27-1/8	27-1/8	26-3/4
Case depth with door handle (in.) E	30-1/4	29-5/8	29-5/8	28-3/4	29-1/4
Depth w/fresh food door open 90° (in.) F	46	46	46	46	45-5/8
Width (in.) G	36-1/4	35-3/4	35-3/4	35-3/4	35-3/4
Width w/door open 90° w/door handle (in.) H	41-3/8	41-5/8	41-5/8	41-5/8	41
Air clearances					
Each side (in.)	1/8	1/8	1/8	1/8	1/8
Top (in.)	1	1	1	1	1
Back (in.)	1/2	1/2	1/2	1/2	1/2
Approx. shipping wt. (lbs.)	450	360	360	380	360
Power/Rating	← 120V, 60Hz, 15Amps →				
<b>Accessories</b>					
Factory trim kit attached	N/A	N/A	N/A	●	N/A
Black acrylic panels (optional)	N/A	N/A	N/A	PSPK23DBB	N/A
White acrylic panels (optional)	N/A	N/A	N/A	PSPK23DWW	N/A
Stainless steel panels (optional)	N/A	N/A	N/A	PSPK23DSS	N/A
Black collar trim (optional)	N/A	N/A	N/A	TRMBISBB	N/A
White collar trim (optional)	N/A	N/A	N/A	TRMBISWW	N/A
Stainless steel collar trim (optional)	N/A	N/A	N/A	N/A	N/A

\*Color(s) available: SS = Stainless steel, WW = White with visor handles, WVV = White, CC = Bisque, BV = Black with visor handles, BB = Black, CM = Color-Matched.  
If installed against a wall, allow clearance of 14" on freezer side to remove bin. Clearance required to remove fresh food full-size pan without disassembling is 18-5/8".  
**ALL MODELS AVAILABLE IN U.S. AND CANADA.**

# GE Café™ and GE Profile™ side-by-side refrigerators

	GE Café	GE Profile	PSHS6YGZ PSHF6YGZ	PSHS9PGZ PSHF9PGZ	PSHS6PGZ PSHF6PGZ
	CSHS6UGZ	PSHW6YGZ			
<b>ENERGY STAR® qualified</b>	●	●	●	●	●
ADA compliant	●	●	●	●	●
<b>Capacity</b>					
Total (cu. ft.)	25.7	25.6	25.6	29.1	25.9
Fresh food (cu. ft.)	15.48	15.80	15.80	17.97	16.10
Freezer (cu. ft.)	9.74	9.75	9.75	11.12	9.81
Shelf area (sq. ft.)	22.9	20.7	20.7	25.4	23.1
<b>Fresh food features</b>					
ClimateKeeper™ system	●	●	●	●	●
Dual evaporators	●	●	●	●	●
Multi-flow air system	●	●	●	●	●
Electronic sensors	●	●	●	●	●
Actual-temperature display	●	●	●	●	●
External controls	●	4.3" LCD	4.3" LCD	●	●
TurboCool™ setting	●	●	●	●	●
GE water filtration system	MSWF	MSWF	MSWF	MWF	MWF
UltraFlow dispenser	100	100	100	64	64
Features	Crushed ice, cubes, water	Crushed ice, cubes, water	Crushed ice, cubes, water	Crushed ice, cubes, water	Crushed ice, cubes, water
Integrated design	●	●	●	●	●
PreciseFill	●	●	●	●	●
Light	●	LED	LED	LED	LED
Child lock and door alarm	●	●	●	●	●
Quick Ice™ feature	●	●	●	●	●
Water filter indicator light	●	●	●	●	●
Cabinet shelves	4 glass	4 glass	4 glass	4 glass	4 glass
Adjustable	3	3	3	3	3
Slide-out, spillproof	2	2	2	2	2
Crisper cover (fixed)	1	1	1	1	1
QuickSpace™ shelf	●	●	●	●	●
Integrated shelf support system	●	●	●	●	●
Snugger™ clips	2	2	2	2	2
Freshness Center™ (3-stack drawer system)	●	●	●	●	●
Top drawer	Adj. temp.	Adj. temp.	Adj. temp.	Snack	Snack
Middle drawer	Adj. humidity	Adj. humidity	Adj. humidity	Adj. humidity	Adj. humidity
Bottom drawer	ExpressChill™	CustomCool™ w/full-extension	CustomCool™ w/full-extension	Sealed	Sealed
ClearLook™ door bins	4 (3 adj.)	3 (2 adj.)	3 (2 adj.)	4 (3 adj.)	4 (3 adj.)
In-the-door beverage storage	Wire beverage rack	Electronic beverage center	Electronic beverage center	●	●
BrightSpace™ interior lighting	GE Reveal®	LED	LED	LED	LED
<b>Freezer features</b>					
FrostGuard™ technology	●	●	●	●	●
Arctica™ icemaker	●	●	●	●	●
Wire slide-out baskets	3 (2 full extension)	4 (3 full-extension)	4 (3 full-extension)	3 (2 slide-out)	3 (2 slide-out)
Wire cabinet shelves	3	2	2	2	2
Wire tilt-out door bins	2 adj.	3 (2 adj.)	3 (2 adj.)	●	●
Door bins	1	●	●	3 (2 adj.)	3 (2 adj.)
BrightSpace interior lighting	GE Reveal	LED w/ramp-up	LED w/ramp-up	LED w/ramp-up	LED w/ramp-up
<b>Exterior</b>					
Color(s) available*	SS	SS	SS WW, BB	SS WW, BB	SS WW, BB
Door handles	GE Café Stainless	Sculptured SS	Sculptured SS CM sculptured	Sculptured SS CM sculptured	Sculptured SS CM sculptured
Exterior design	Flat	Full-wrap	Contoured crown doors High-gloss contoured crown doors Case only (gray)	Contoured doors High-gloss contoured doors Case only (gray)	Contoured crown doors High-gloss contoured crown doors Case only (gray)
Textured steel door and case	Top only	●	● / -	● / -	● / -
Stainless steel side panel accessory (optional)	●	●	● / -	● / -	● / -
Adjustable rollers	Front	Front	Front	Front	Front
<b>Weights &amp; Dimensions</b>					
Height to top of hinge (in.) A	69-1/4	69-1/2	69-1/4	69-1/4	69-1/4
Height to top of case (in.) B	68-3/4	68-3/4	68-3/4	68-3/4	68-3/4
Case depth without door (in.) C †	28	29-1/2	28	28	28
Case depth less door handle (in.) D †	32-1/4	32-3/8	32-3/8	33-5/8	32-3/8
Case depth with door handle (in.) E †	34-3/4	35	35	36	35
Depth w/fresh food door open 90° (in.) F †	50-1/8	50-1/8	50-1/8	50-1/8	50-1/8
Width (in.) G	35-7/8	36	35-3/4	35-3/4	35-3/4
Width w/door open 90° w/door handle (in.) H	41-1/2	43-1/2	43-1/2	45-1/2	43-1/2
Air clearances					
Each side (in.)	1/8	1/8	1/8	1/8	1/8
Top (in.)	1	1	1	1	1
Back (in.)	1/2	1	1	1	1
Approximate shipping wt. (lbs.)	424	450	380	370	380
Power/Rating	120V, 60Hz, 15Amps				

\*Color(s) available: SS = Stainless steel, WW = White, CC = Bisque, BB = Black, CM = Color-Matched.

†Water hook-up fits in back air clearance when calculating installation depth.

If installed against a wall, allow clearance of 14-3/16" on 25 cu. ft. and 26 cu. ft. models on freezer side to remove ice bin. To remove fresh food pans, remove door bins. Clearances required to remove fresh food full-size pan without disassembling: 19" on 25 cu. ft. and 26 cu. ft. Allow additional space for any necessary leveling adjustments.

**ALL MODELS AVAILABLE IN U.S. AND CANADA.**

	PSSS3RGZ	PSSF3RGZ
	●	●
	23.1	23.1
	15.86	15.86
	7.26	7.26
	23.8	23.8
	●	●
	●	●
	●	●
	●	●
	●	●
	MSWF	MSWF
	100	100
	Crushed ice, cubes, water	Crushed ice, cubes, water
	LED	LED
	●	●
	●	●
	●	●
	4 glass	4 glass
	3	3
	2	2
	1	1
	●	●
	●	●
	2	2
	●	●
	Adj. temp.	Adj. temp.
	Adj. humidity	Adj. humidity
	Sealed	Sealed
	4 (3 adj.)	4 (3 adj.)
	Wire beverage rack	Wire beverage rack
	GE Reveal	GE Reveal
	●	●
	●	●
	3	3
	2	2
	3 (2 adj.)	3 (2 adj.)
	GE Reveal	GE Reveal
	SS	WW, CC, BB
	Sculptured SS	CM sculptured
	Contoured doors	High-gloss contoured doors
	Case only (gray)	Case only
	●	
	Front	Front
	69-1/4	69-1/4
	68-3/4	68-3/4
	28	28
	32-1/4	32-1/4
	34-3/4	34-3/4
	50-1/8	50-1/8
	32-3/4	32-3/4
	40-1/4	40-1/4
	1/8	1/8
	1	1
	1	1
	344	344
	← 120V, 60Hz, 15Amps →	

### Stainless steel side panel accessory (PS26SPLSS)

Attaches to the side of all free-standing GE Profile and GE® side-by-side 23, 25, 26 and 29 cu. ft. refrigerators.\* Panel dimensions: 69-3/8" H x 28-3/4" W

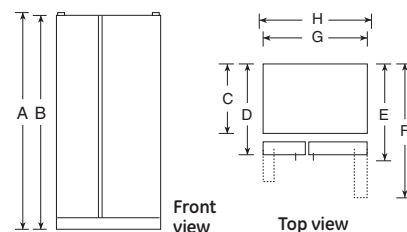


Before

After

\*Side panel has 1" overhang on back for model GSH25JSC

### Side-by-side refrigerators



Listed by Underwriters Laboratories

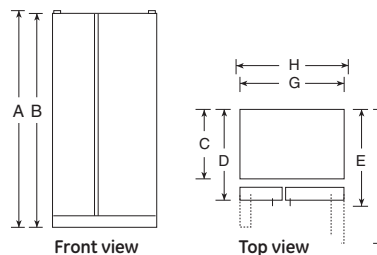
# GE® side-by-side refrigerators

	GE "N" Series	GE "L" Series	GE "H" Series	GE "K" Series	GE "J" Series
	GSHS6NGB GSHF6NGB	GSHS6LGB GSHF6LGB	GSHS6HGD GSHF6HGD	GSHS3KGZ GSHF3KGZ	GSH25JSD GSH22JSD
<b>ENERGY STAR® qualified</b>	●	●	●	●	●
ADA compliant	●	●	●	●	●
<b>Capacity</b>					
Total (cu. ft.)	25.9	25.9	25.9	23.1	25.3/21.9
Fresh food (cu. ft.)	16.10	16.10	16.10	15.86	15.50/14.80
Freezer (cu. ft.)	9.80	9.80	9.80	7.26	9.75/7.10
Shelf area (sq. ft.)	22.9	22.9	22.9	20.2	23.1/20.3
<b>Fresh food features</b>					
ClimateKeeper™ system	●	●		●	
ClimateGuard					●
Air tower	●	●		●	
Electronic sensors	●	●		●	●
Exterior temperature controls	Actual temp.	Actual temp.	Actual temp.	Actual temp.	●
GE water filtration system	MWF	MWF	MWF	MWF	MWF
UltraFlow dispenser	64	64	64	64	64
Features	Arctica® icemaker with crushed ice, cubes & water	Arctica icemaker with crushed ice, cubes & water	Arctica icemaker with crushed ice, cubes & water	Arctica icemaker with crushed ice, cubes & water	Crushed ice, cubes, water
Light and child lock	LED	LED	LED	LED	●
Door alarm	●	●	●	●	
Quick Ice™ feature					
Water filter indicator light	●	●	●	●	
Cabinet shelves	4 glass	4 glass	3 glass	4 glass	3 glass
Adjustable	3	3	2	3	2
Slide-out, spillproof	3 (2 slide-out)	3 (2 slide-out)	3 (2 slide-out)	3 (2 slide-out)	2
QuickSpace™ shelf	●				
Integrated shelf support system	●	●	●	●	
Freshness Center™	●	●	●	●	
2-stack drawer system	●	●	●	●	●
Top drawer	Adj. humidity	Adj. humidity	Adj. humidity	Adj. humidity	Adj. humidity
Bottom drawer	Adj. humidity	Adj. humidity	Sealed	Adj. humidity	Adj. temp.
Snack drawer	●	●	●	●	●
Door bins	ClearLook™ 4 (3 adj.)	ClearLook 4 (3 adj.)	4 (2 adj. with gallon storage)	ClearLook 4 (3 adj.)	4 (2 adj. with gallon storage)
Dairy compartment	●	●	●	●	●
In-the-door beverage storage				Plastic can rack	
Interior lighting	LED	GE Reveal®	GE Reveal	GE Reveal	Dual
<b>Freezer features</b>					
FrostGuard™ technology	●	●	●	●	●
Factory-installed icemaker	Arctica icemaker	Arctica icemaker	Arctica icemaker	Arctica icemaker	●
Wire cabinet shelves	4 (2 adj.)	3 (2 adj.)	3 (2 adj.)	4 (2 adj.)	4 (1 adj.)
Storage baskets	2 slide-out	2 slide-out	1 slide-out	1 slide-out	1 bin
Door bins	4 (2 adj.)	4 (2 adj.)		3 (2 adj.)	5 shelves
Interior light	LED	GE Reveal	GE Reveal	GE Reveal	●
<b>Appearance</b>					
Color(s) available*	SS WW, BB	SS WW, BB	SS WW, CC, BB	SS WW, CC, BB	SS
Door handles*	Stainless steel High-gloss	Stainless steel High-gloss	Stainless steel High-gloss	Stainless steel High-gloss	Stainless steel tubular
Exterior design	Contoured w/ hidden hinges	Contoured w/ hidden hinges	Contoured	Contoured	Flat front w/rounded sides
Textured steel case	Case only (gray)	Case only (gray)	Case only (gray)	Case only (gray)	Case only (black)
Stain. steel side panel accessory (opt.)	Case only	Case only	Case only	Case only	● / -
Adjustable rollers	Front	Front	Front	Front	Front
<b>Weights &amp; Dimensions</b>					
Height to top of hinge (in.) A	69-1/2	69-1/2	69-1/4	69-1/2	69-3/4 67-1/2
Height to top of case (in.) B	68-3/4	68-3/4	68-3/4	68-3/4	68-3/4 66-1/2
Case depth without door (in.) C†	28	28	28	28	28
Case depth less door handle (in.) D†	31-1/4	31-1/4	31-1/4	31-1/4	31-1/4
Case depth with door handle (in.) E†	33-5/8	33-5/8	33-5/8	33-5/8	33-5/8
Depth w/fresh food door open 90° (in.) F†	50-1/8	50-1/8	50-1/8	50-1/8	49-3/8
Width (in.) G	35-3/4	35-3/4	35-3/4	32-3/4	35-3/4 33-1/2
Width w/door open 90° with door handle (in.) H	40-3/4	40-3/4	40-3/4	38-1/4	38-1/4 36
Each side (in.)	1/8	1/8	1/8	1/8	1/8
Top (in.)	1	1	1	1	1
Back (in.)	1	1	1	1	1
Air clearances					
Approx. shipping wt. (lbs.)	340	340	340	340	344 / 323
Power/Ratings	← 120V, 60Hz, 15Amps →				

\*Color(s) available: SS = Stainless steel, CleanSteel = Stainless appearance, WW = White, CC = Bisque, BB = Black, CM = Color-Matched.  
 †Water hookups fits in back air clearance when calculating installation depth.  
 If installed against a wall, allow clearance of 10-3/4" on 20 cu. ft. and 22 cu. ft. models; 14-1/4" on 25 cu. ft. models on freezer side to remove bin.  
 Clearances required to remove fresh food full-size pan without disassembling: 13-1/2" on 20 cu. ft.; 15" on 22 cu. ft.; and 19" on 25 cu. ft.  
 Allow additional space for any necessary leveling adjustments.  
 ALL MODELS AVAILABLE IN U.S. AND CANADA.

GE "G" Series		
GSL25JGD GSL22JGD	GSH25JGD GSH22JGD	GSS20GEW
•	•	•
•	•	•
25.3/21.9	25.3/21.9	20.0
15.50/14.80	15.50/14.80	12.85
9.75/7.10	9.75/7.10	7.14
23.1/20.3	23.1/20.3	17.3
•	•	•
•	•	•
•	•	•
MWF	MWF	
64	64	
Crushed ice, cubes, water	Crushed ice, cubes, water	Crushed ice, cubes, water
•	•	•
3 glass	3 glass	4 glass (1 fixed crisper cover)
2	2	3
2	2	
•	•	•
Adj. humidity	Adj. humidity	Sealed
Adj. temp.	Adj. temp.	Sealed
•	•	•
4 (2 adj. with gallon storage)	4 (2 adj. with gallon storage)	4 (2 with gallon storage)
•	•	•
Dual	Dual	Single
•	•	•
•	•	•
4 (1 adj.)	4 (1 adj.)	3 (2 adj.)
1 bin	1 bin	1 bin
5 shelves	5 shelves	5 shelves
•	•	•
CleanSteel™	WW, CC, BB	WW, CC, BB
Stainless steel	High-gloss	Color-matched
Flat front w/rounded sides	Textured flat front w/rounded sides	Flat front w/rounded sides
Case only (black)	•	•
Front	Front	Front
69-3/4	69-3/4	
67-1/2	67-1/2	67-1/2
68-3/4	68-3/4	
66-1/2	66-1/2	66-1/2
28	28	28
31-1/4	31-1/4	31-1/4
33-5/8	33-5/8	33-5/8
49-3/8	49-3/8	47-3/8
35-3/4	35-3/4	
33-1/2	33-1/2	31-1/2
38-1/4	38-1/4	
36	36	34
1/8	1/8	1/8
1	1	1
1	1	1
344 / 323	344 / 323	306
← 120V, 60Hz, 15Amps →		

Side-by-side refrigerators



Note: Stainless steel side panel accessory (PS26SPLSS) attaches to the side of all GE Profile™ and GE side-by-side 23,25,26 and 29 cu. ft. free-standing refrigerators.\*  
 \*Side panel has 1" overhang on back for models GSH25JSD.



Listed by Underwriters Laboratories

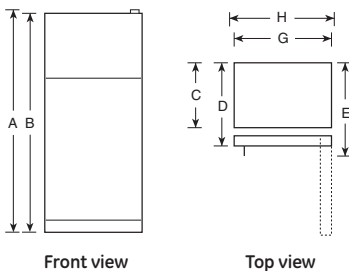
# GE Profile™ top-freezer refrigerators

	GE Profile	
	PTS25SHS PTS25LHS	PTS22SHS PTS22LHS
Stainless steel model	● / -	● / -
ADA compliant		
<b>Capacity</b>		
Total (cu. ft.)	24.6	21.7
Fresh food (cu. ft.)	17.51	15.35
Freezer (cu. ft.)	7.08	6.35
Shelf area (sq. ft.)	28.7	25.9
<b>Fresh food features</b>		
Internal water dispenser	●	●
ClimateKeeper™ system	●	●
Multi-flow air system	●	●
Upfront temperature controls	Electronic touch w/ actual temp.	Electronic touch w/ actual temp.
Electronic sensors	●	●
GE water filtration	GSWF	GSWF
Cabinet shelves	4 glass	4 glass
Adjustable, spillproof	4 split	4 split
Slide-out, removable	3	3
ShelfSaver™ rack	●	●
Crisper drawers	2 adj. humidity	2 adj. humidity
Snack drawer	Adj. temp.	Adj. temp.
Adjustable gallon door bins	4 ClearLook™	4 ClearLook
Fixed door bins	1 (tall bottle)	1 (tall bottle)
Dairy compartment	●	●
Interior lighting	Dual	Dual
NeverClean™ condenser	●	●
<b>Freezer features</b>		
Factory-installed icemaker and bin	●	●
Multi-flow air system (freezer)	●	●
FrostGuard™ technology	●	●
Spillproof freezer floor	●	●
Wire freezer compartment shelves	1 full-width, 1 bi-level removable	1 full-width, 1 bi-level removable
Tilt-out locking freezer door bin	1 f/w	1 f/w
Freezer door bins	2 split (1 adj.; 1 fixed)	2 split (1 adj.; 1 fixed)
Interior lighting	●	●
<b>Exterior</b>		
Color(s) available*	SS WW, BB	SS WW, BB
Sculptured door handles	Stainless steel Color-matched	Stainless steel Color-matched
Customer-installed handles	●	●
Exterior design	Rounded doors	Rounded doors
Textured steel door and case	●	●
Reversible doors	●	●
Adjustable rollers	Front	Front
<b>Weights &amp; Dimensions</b>		
Height to top of hinge (in.) A	68-5/8	67-1/2
Height to top of case (in.) B	67-7/8	66-7/8
Case depth without door (in.) C	27-5/8	27-5/8
Case depth less door handle (in.) D	31-5/8	31-5/8
Case depth with door handle (in.) E	33-5/8	33-5/8
Depth w/fresh food door open 90° (in.) F	66	63
Width (in.) G	35 7/8	32-7/8
Width w/door open 90° w/door handle (in.) H	38	35
Air clearances	Each side (in.)	1/8
Top (in.)	1	1
Back (in.)	1	1
Approx. shipping wt. (lbs.)	360/330	320/295
Power/Ratings	120V, 60Hz, 15Amps	

\*Color(s) available: SS = Stainless steel, WW = White, BB = Black.

ALL MODELS AVAILABLE IN U.S. AND CANADA.

## Top-freezer no-frost refrigerators



Listed by  
Underwriters  
Laboratories

# GE® top-freezer refrigerators

Refrigeration

Cooking products

Microwave ovens

Dishwashers

Clothes care

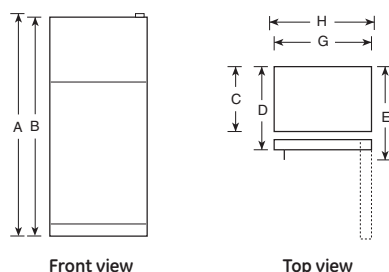
Water systems

Air conditioning

	GE "22 cu. ft." Series		GE "21 cu. ft." Series			GE "20 cu. ft." Series
	GTS22SBX GTS22KBP	GTH21SCX GTH21SBX	GTL21KBX	GTH21KCX GTH21KBX	GTS21KBX	GTH20SBB GTH20JBB
<b>ENERGY STAR® qualified</b>		●	●	●		●
ADA compliant						
<b>Capacity</b>						
Total (cu. ft.)	21.7	21.0	21.0	21.0	21.0	20.0
Fresh food (cu. ft.)	15.38	14.90	14.90	14.90	14.90	14.18
Freezer (cu. ft.)	6.35	6.10	6.10	6.10	6.10	5.78
Shelf area (sq. ft.)	25.3	24.5 / 25.5	25.5	24.5 / 25.5	25.5	21.36
<b>Fresh food features</b>						
Upfront temperature controls	Illuminated	●	●	●	●	●
Cabinet shelves	4 glass	4 glass	4 glass	4 glass	4 glass	3 glass
Adjustable	4 split	4 split	4 split	4 split	4 split	2 split, 1 f/w
Spillproof	4	4 (resistant)	4 (resistant)	4 (resistant)	4 (resistant)	3
Crisper drawers	2 adj. humidity	2 adj. humidity	2 adj. humidity	2 adj. humidity	2 adj. humidity	2 adj. humidity
Snack drawer	●	●	●	●	●	●
Adjustable gallon door bins	3					3
Fixed door bins	1 (tall bottle)	3 (2 with gallon)	3 (2 with gallon)	3 (2 with gallon)	3 (2 with gallon)	1
Dairy compartment	●	●	●	●	●	●
Interior lighting	●	●	●	●	●	●
NeverClean condenser	●	●	●	●	●	●
<b>Freezer features</b>						
Factory-installed icemaker and bin	Opt. (IM4A)	● Opt. (IM4B)	● Opt. (IM4B)	● Opt. (IM4B)	● Opt. (IM4B)	● Opt. (IM4A)
Ice 'N Easy trays	1	- / 1	1	- / 1	1	1
Spillproof freezer floor						●
Wire freezer compartment shelves	1 f/w wire (2 pos.)	1 f/w wire (2 pos.)	1 f/w wire (2 pos.)	1 f/w wire (2 pos.)	1 full-width (2 pos.)	1 f/w
Adjustable door bins	1 split					
Fixed door bins	1 full-width, 1 split	2 full-width	2 full-width	2 full-width	2 full-width	2 full-width
Interior lighting	●	●				●
<b>Exterior</b>						
Color(s) available*	SS WW, CC, BB	SS	CleanSteel™	WW, BB WW, CC, BB	WW, BB	SS WW, BB
Door handle(s)*	Stainless CM	Tubular stainless steel	Black	CM	CM	Stainless CM high-gloss
Customer-installed handles	●	●	●	●	●	●
Exterior design	Rounded doors Case only (black)	Rounded doors	Rounded doors	Rounded doors	Rounded doors	Flat doors Case only (gray)
Textured steel door and case	●	Case only (black)	Case only (black)	●	●	●
Reversible doors	●	●	●	●	●	●
Adjustable rollers	Front	Front	Front	Front	Front	Front
<b>Weights &amp; Dimensions</b>						
Height to top of hinge (in.) A	67-1/2	66-3/4	66-3/4	66-3/4	66-3/4	66-2/3
Height to top of case (in.) B	66-7/8	66	66	66	66	66
Height to mid-freezer (in.)	54-1/2	55	55	55	55	54-3/4
Case depth without door (in.) C	27-5/8	27	27	27	27	28-1/2
Case depth less door handle (in.) D	31-5/8	30-1/2	30-1/2	30-1/2	30-1/2	32-1/2
Case depth with door handle (in.) E	33-5/8	32-1/2	32-1/2	32-1/2	32-1/2	35-1/8
Depth w/fresh food door open 90° (in.) F	63	60-3/4	60-3/4	60-3/4	60-3/4	60-5/6
Width (in.) G	32-7/8	32-3/4	32-3/4	32-3/4	32-3/4	29-7/8
Width w/door open 90° w/door handle (in.) H	35	36-1/2	36-1/2	36-1/2	36-1/2	32-5/7
Each side (in.)	1/8	1/8	1/8	1/8	1/8	1/8
Top (in.)	1/2	1/2	1/2	1/2	1/2	1
Air clearances Back (in.)	1/2	1/2	1/2	1/2	1/2	1
Approx. shipping wt. (lbs.)	260/315	219	219	219	219	241
Power/Ratings	120V, 60Hz, 15Amps					

\*Color(s) available: SS = Stainless steel, CleanSteel = Stainless appearance, WW = White, CC = Bisque, BB = Black, CM = Color-Matched.  
**ALL MODELS AVAILABLE IN U.S. AND CANADA.**

## Top-freezer no-frost refrigerators



**Note:** All top-freezer no-frost right-hand refrigerator doors: As you face the front of the refrigerator, the handle is on your left and the hinges are on your right.  
 All top-freezer no-frost left-hand refrigerator doors: As you face the front of the refrigerator, the handle is on your right and the hinges are on your left.

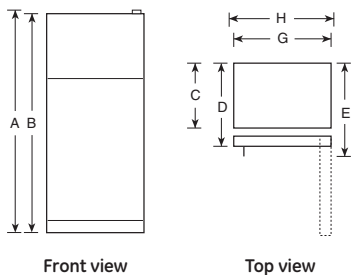


# GE® top-freezer refrigerators

	GE "I" Series			GE "D" Series	GE "L" Series	GE "G" Series		GE "C" Series	
	GTH18ISD	GTK18ICD GTK18IBD	GTH18IBD	GTH18DCD GTH18DBD	GTH18LCD	GTJ18GCD	GTH18GCD GTH18GBD	GTH18CCD GTH18CBD*	
ENERGY STAR® qualified	●	●	●	●	●	●	●	●	
ADA compliant	●	●	●	●					
<b>Capacity</b>									
Total (cu. ft.)	18.0	18.0	18.0	18.0	18.1	18.1	18.1	18.1	
Fresh food (cu. ft.)	12.93	12.93	12.93	12.93	13.92	13.92	13.92	13.92	
Freezer (cu. ft.)	5.09	5.09	5.09	5.09	4.22	4.22	4.22	4.22	
Shelf area (sq. ft.)	22.2	22.2	22.2	22.6	21.1	21.7	21.7	18.9/19.8	
<b>Fresh food features</b>									
Upfront temperature controls	●	●	●	●	●	●	●	●	
Cabinet shelves	3 glass	3 glass	3 glass	2 wire, 1 glass	4 glass	2 glass	2 glass	2 wire	
Adjustable	2 split, 1 f/w	2 split, 1 f/w	2 split, 1 f/w	1 f/w, 1 split wire 1 split glass	4 split	2 full-width	2 full-width	2 full-width	
Spillproof					4	2 (resistant)	2 (resistant)		
Crisper drawers	2 clear	2 clear	2 clear	2 white	2 adj humidity	2 adj humidity	2 adj humidity	2 white	
Snack drawer	Clear	Clear	Clear	White	Clear	Clear	Clear		
Fixed door bins	2 f/w, 1 w/gallon storage	2 f/w, 1 w/gallon storage	2 f/w, 1 w/gallon storage						
Door shelves	1 split w/gallon, 2 f/w w/gallon	1 split w/gallon, 2 f/w w/gallon	1 split w/gallon, 2 f/w w/gallon	1 split w/gallon, 2 f/w w/gallon	3 f/w (2 with gallon storage)	3 f/w (2 with gallon storage)	3 f/w (2 with gallon storage)	3 f/w (2 with gallon storage)	
Dairy compartment	●	●	●	●	●	●	●	●	
Interior lighting	Dual	Dual	Dual	Single	Single	Single	Single	Single	
NeverClean™ condenser	●	●	●	●	●	●	●	●	
<b>Freezer features</b>									
Factory-installed icemaker & bin	Opt. (IM4A)	● Opt. (IM4A)	Opt. (IM4A)	● Opt. (IM4A)	●	●	● Opt. (IM4A)	● Opt. (IM4A)	
Ice 'N Easy trays	1	- / 1	1	- / 1			- / 1	- / 1	
Spillproof freezer floor	●	●	●	●					
Wire freezer compartment shelves	Step	Step	Step	Step	Step	Step	Step	Step	
Fixed door shelves	2 full-width	2 full-width	2 full-width	2 full-width	2 full-width	2 full-width	2 full-width	2 full-width	
<b>Exterior</b>									
Color(s) available*	SS	CleanSteel™	WW, BB	WW, BB	WW, BB	Silver Metallic	WW, CC, BB	WW, CC, BB	
Door handles*	SS	Black	CM	CM	CM	Black	CM	CM	
Customer-installed handles	●	●	●	●	●	●	●	●	
Exterior design	Rounded doors	Rounded doors	Rounded doors	Rounded doors	Squared doors	Squared doors	Squared doors	Squared doors	
Textured steel door and case	Case only (black)	Case only (black)	●	●	●	Case only (black)	●	●	
Reversible doors	●	●	●	●	●	●	●	●	
Available in left-hand door swing									*White only
<b>Weights &amp; Dimensions</b>									
Height to top of hinge (in.) A	66-5/8	66-5/8	66-5/8	66-5/8	67-3/8	67-3/8	67-3/8	67-3/8	
Height to top of case (in.) B	66-1/8	66-1/8	66-1/8	66-1/8	66-7/8	66-7/8	66-7/8	66-7/8	
Height to mid-freezer (in.)	54	54	54	53-15/16	57	57	57	57	
Case depth without door (in.) C	27-1/2	27-1/2	27-1/2	27-1/2	26-3/4	26-3/4	26-3/4	26-3/4	
Case depth less door handle (in.) D	30-1/4	30-1/4	30-1/4	30-1/4	30-1/2	30-1/2	30-1/2	30-1/2	
Case depth with door handle (in.) E	32-1/8	32-1/8	32-1/8	32-1/8	32-3/8	32-3/8	32-3/8	32-3/8	
Depth w/fresh food door open 90° (in.) F	58-1/8	58-1/8	58-1/8	58-1/8	56-3/8	56-3/8	56-3/8	56-3/8	
Width (in.) G	29-1/2	29-1/2	29-1/2	29-1/2	28	28	28	28	
Width w/door open 90° w/door handle (in.) H	32	32	32	32	30-3/4	30-3/4	30-3/4	30-3/4	
Each side (in.)	1/8	1/8	1/8	1/8	3/4	3/4	3/4	3/4	
Top (in.)	1	1	1	1	1	1	1	1	
Back (in.)	1	1	1	1	2	2	2	2	
Approx. shipping wt. (lbs.)	239	228	226	228 223	192	192	192	177	
Power/Ratings	120V, 60Hz, 15Amps								

\*Color(s) available: SS = Stainless steel, CleanSteel = Stainless appearance, WW = White, CC = Bisque, BB = Black, CM = Color-Matched.

## Top-freezer no-frost refrigerators



**Note: All top-freezer no-frost right-hand refrigerator doors:** As you face the front of the refrigerator, the handle is on your left and the hinges are on your right.  
**All top-freezer no-frost left-hand refrigerator doors:** As you face the front of the refrigerator, the handle is on your right and the hinges are on your left.



Listed by  
Underwriters  
Laboratories



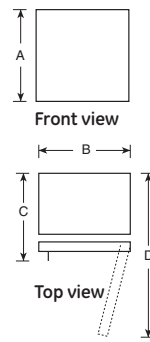
			GE "J" Series		GE "D" Series	GE "B" Series		GE small top-freezers	
GTJ18CBD GTN18CBD	GTS18CCD GTS18CBD	GTS18ABD	GTK17JCD GTK17JBD	GTH17JBD	GTH17DBD	GTN16BBX GTR16BBS	GTH16BBX GTS16BBS	GTL12HBD GTR12HBD	GTR10HAD
●			●	●	●	●/-	●/-		
			●	●	●	●	●		
18.1	18.1	18.1	16.5	16.5	16.5	15.5/15.7	15.5/15.7	11.8	9.6
13.92	13.92	13.92	12.43	12.43	12.43	11.44/11.57	11.44/11.57	8.79	7.2
4.22	4.22	4.22	4.07	4.07	4.07	4.10	4.10	3.01	2.40
19.8	18.9/19.8	19.8	21.1	21.1	21.1	19.2	21.9		
●	●	●	●	●	●	●	●	●	●
2 wire	2 wire	2 wire	2 glass	2 glass	2 wire	2 wire	2 wire	2 wire	2 wire
2 full-width	2 full-width	2 full-width	2 full-width	2 full-width	2 full-width	2 full-width	2 full-width	2 full-width	2 full-width
			●	●					
2 white	2 white	1 full-width white	2 adj. humidity Clear	2 adj. humidity Clear	2 clear	2 white	2 white	2 clear	2 clear
3 f/w (2 with gallon storage)	3 f/w (2 with gallon storage)	3 f/w (2 with gallon storage)	2 f/w w/ gallon storage	2 f/w w/ gallon storage	2 f/w with gallon storage	2 f/w with gallon storage	2 f/w with gallon storage	4 (3 2/3 width, 1 f/w)	4 (3 2/3 width, 1 f/w)
●	●	●	●	●	●	●	●	●	●
Single	Single	Single	Single	Single	Single	Single	Single	Single	Single
●	●	●	●	●	●	●	●	●	●
Opt. (IM4A)	● Opt. (IM4A)	Opt. (IM4A)	● Opt. (IM4A)	Opt. (IM4A)	Opt. (IM4A)	Opt. (IM4A)	Opt. (IM4A)	Opt. (IM4A)	Opt. (IM4A)
1	- / 1	1	- / 1	1	1	1	1	1	1
Step	Step		Step	Step	Step				
2 full-width	2 full-width	2 full-width	2 full-width	2 full-width	2 full-width	2 full-width	2 full-width	2 full-width	2 full-width
Silver Metallic WW	WW, BB	WW, BB	CleanSteel	WW, BB	WW, CC, BB	WW	WW, CC	CleanSteel WW	WW
Black CM recessed	CM	CM	Black	CM	CM	CM recessed	CM	CM recessed	CM recessed
●	●	●	●	●	●	●	●	●	●
Squared doors	Squared doors	Squared doors	Squared doors	Squared doors	Squared doors	Squared doors	Squared doors	Rounded doors	Rounded doors
Case only (black)			Case only (black)	●		●			
●	●	●		●			●	●	●
							White only		
67-3/8	67-3/8	67-3/8	64-3/4	64-3/4	64-3/4	61-3/4	61-3/4	60	60
66-7/8	66-7/8	66-7/8	64-1/4	64-1/4	64-1/4	61-1/4	61-1/4	59-5/8	59-5/8
57	57	57	54-3/8	54-3/8	54-3/8	51-3/8	51-3/8	41-7/8	41-7/8
26-3/4	26-3/4	26-3/4	25-7/8	25-7/8	25-7/8	25-7/8	25-7/8	27	23-1/4
30-1/2	30-1/2	30-1/2	29-1/8	29-1/8	29-1/8	29-1/8	29-1/8	29-5/8	26
32-3/8	32-3/8	32-3/8	31	31	31	29-1/8	31	29-5/8	26
56-3/8	56-3/8	56-3/8	54-7/8	54-7/8	54-7/8	54-7/8	54-7/8	50-1/2	46-5/8
28	28	28	28	28	28	28	28	23-1/4	23-1/4
30-3/4	30-3/4	30-3/4	30-1/2	30-1/2	30-1/2	28-5/8	30-1/2	24	24
3/4	3/4	3/4	3/4	3/4	3/4	3/4	3/4	1	1
1	1	1	1	1	1	1	1	4	4
2	2	2	2	2	2	2	2	3	3
177	177	177	185	185	170	165	166	163	159

120V, 60Hz, 15Amps

# GE Spacemaker® compact refrigerators

	GE®			
	GMR06AAZ	GMR04HAS	GMR04BAN	GMR02BAN
<b>Capacity</b>				
Total (cu. ft.)	6.0	4.3	4.3	1.7
Fresh food (cu. ft.)	5.51	3.89	3.89	1.49
Freezer (cu. ft.)	.49**	.42**	.42**	.16**
Shelf area (sq. ft.)	8.8	5.6	5.6	2.9
<b>Features</b>				
Ice 'N Easy trays	2 mini	1 mini	1 mini	1 mini
Manual defrost	●	●	●	●
Cabinet shelves (wire)	2 (1 wire, 1 adj.)	3 (2 f/w, 1 split)	3 (2 f/w, 1 split)	1
Can rack	●	●	●	●
Door shelves	1 full-width, 2 half-width	2 full-width, 1 half-width	2 full-width, 1 half-width	1 full-width, 1 half-width
Interior light	●			
<b>Economical/Quiet</b>				
Cabinet/door insulation	Foam	Foam	Foam	Foam
Cabinet/door liner	HIPS	ABS	ABS	ABS
<b>Appearance</b>				
Color(s) available*	WW, BB	CleanSteel™	WW, BB	WW
Door handle	Color-matched recessed	Black recessed	Color-matched recessed	Color-matched recessed
Rounded door		●	●	●
Reversible door	●			
<b>Weights &amp; Dimensions</b>				
Height (in.) A	34	32-3/4	32-3/4	19-1/2
Width (in.) B	23-5/8	20-1/2	20-1/2	17-3/8
Depth with handle (in.) C	24-1/4	21	21	19-1/4
Depth with door open 90° (in.) D	45-1/2	39-15/16	39-15/16	35-1/2
Air clearances Each side (in.)	0†	1/2	1/2	1/2
Top (in.)	0	2	2	2
Back (in.)	0	2	2	2
Approx. shipping wt. (lbs.)	88	79	79	51
<b>Accessories</b>				
Custom trim (optional)	TPK7 (black only)			

## Spacemaker compact refrigerators

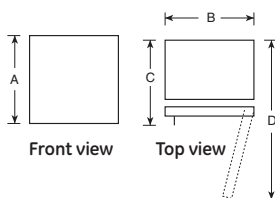


\*Color(s) available: WW = White, BB = Black, CleanSteel = Stainless appearance  
 \*\*Compartment for short-term storage of frozen food. The frozen food compartment of this refrigerator will make ice, and pre-frozen foods can be stored for about two weeks. It will not effectively freeze fresh foods or provide long-term storage for meats, poultry, or fish. If installed against a wall, allow 1-1/4" on hinge side to allow for proper door opening.

# GE Profile™ wine and beverage centers

	Wine centers			Wine and beverage centers		
	ZDWC240NBS	PCR06WAT	PWR04FAN	ZDBC240NBS	PCR06BAT	GVS04BDW
<b>Capacity</b>						
Total (cu. ft.)	5.5	5.3	4.3	5.5	5.3	4.1
Can capacity				150 12-oz. cans	150	109
Bottle capacity	57	57	29	12	12	31
<b>Features</b>						
Temperature controls	Dial control (40°-55°F)	Electromechanical (41°-55°F)	Electronic touch (45°-65°F)	Dial control (40°-55°F)	Electromechanical (41°-55°F)	Electronic with actual temp. (39°-61°F)
Glass door	UV-resistant tempered glass door	Tinted	Clear	UV-resistant tempered glass door	Tinted	Gray glass w/silver trim
Door design	European	Contoured	Contoured	European	Contoured	Round
Shelves				3 removable, spillproof glass	3 glass, spillproof	3 full-depth removable 2 half-depth
Wine racks	7	7	5 chrome	2 half-size	2	Wood
Full-extension Adjustable	5 full-size/ 2 half-size	●	●	Unfinished heart-of-cherry	Beechwood	
Interior lighting	on/off switch	Display	Timer (60 min. delay)	on/off switch	Display	●
Lock			●			
<b>Appearance</b>						
Color(s) available		Black case and stainless trim	Black case and stainless trim		Black case and stainless trim	Black case w/ stainless look trim
Door handle	Stainless steel tubular	Recessed	Recessed	Stainless steel tubular	Recessed	Tubular
Built-in capability	●	●	●	●	●	●
Free-standing capability	●	●	●	●	●	●
Cabinet liner color					Black	
Reversible door	●	●	●	●	●	●
<b>Weights &amp; Dimensions</b>						
Height (in.) A	34-1/4	34-1/8	33-1/2	34-1/5	34-1/8	33
Width (in.) B	23-3/4	23-3/4	20-1/8	23-3/4	23-3/4	19
Depth with handle (in.) C	23-3/4	25	22-3/4	23-3/4	25	22-1/8
Depth with door open 90° (in.) D	45-1/4	45-1/4	40-1/2	45-1/4	45-1/4	38-3/8
Air clearances Each side (in.)	0	0	1-1/2	0	0	1/2
Back (in.)	0	0	2	0	0	2
Top (in.)	0	0	2	0	0	2
Approx. shipping wt. (lbs.)	120	120	97	120	120	75

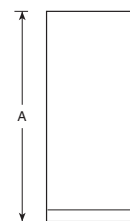
## Beverage center and wine centers



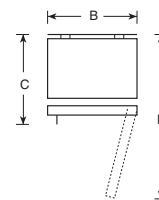
Above illustrations intended for dimensional reference only. Refer to photography for actual product appearance.

# GE® upright freezers

	GE					
	Frost-free				Manual defrost	
	FUF21SV	FUF17SV	FUF14DV	FUF14SV	FUM21SV	FUM14SV
ENERGY STAR® qualified			●			
<b>Capacity</b>						
Total volume (cu. ft.)	20.6	16.7	13.7	13.7	20.6	14.1
Shelf area (sq. ft.)	23.4	18.4	14.3	14.3	21.9	15.0
<b>Features</b>						
Temperature control	Electronic	Electronic	Electronic	Electronic	Adjustable	Adjustable
Door shelves (total)	6 (2 juice)	5 (2 juice)	5 (2 juice)	5 (2 juice)	5 (2 juice)	5 (2 juice)
Tilt-out door storage					1	
Soft freeze zone					●	
Power "ON" light					●	
Defrost water drain					●	
Interior light	●	●	●	●	●	●
Lock	●	●	●	●	●	●
Cabinet shelves (total)	4	4	3	3	4	3
Slide-out bulk storage basket	1	1	1	1	1	1
Book end	3	2	1	1		
<b>Economical/Quiet</b>						
Defrost	Frost-free	Frost-free	Frost-free	Frost-free	Manual	Manual
Magnetic door gasket	●	●	●	●	●	●
Cabinet liner	Baked-enamel-on-steel	Baked-enamel-on-steel	Baked-enamel-on-steel	Baked-enamel-on-steel	Baked-enamel-on-steel	Baked-enamel-on-steel
Wraparound condenser	●	●	●	●	●	●
<b>Appearance</b>						
Color available	White	White	White	White	White	White
Door handle	High-gloss	High-gloss	High-gloss	High-gloss	High-gloss	High-gloss
Textured steel case/door	●	●	●	●	●	●
<b>Weights &amp; Dimensions</b>						
Height (in.) A	71-5/16	65-3/4	60-1/4	60-1/4	71-1/4	60-1/4
Width (in.) B	32	32	28	28	32	28
Depth (in.) C	28-5/8	26-5/8	28-5/8	28-5/8	28-5/8	28-5/8
Depth with door open 90° (in.) D	59-3/8	57-3/8	55-3/8	55-3/8	59-3/8	55-3/8
Air clearances	Each side (in.)	3	3	3	3	3
	Top (in.)	3	3	3	3	3
	Back (in.)	3	3	3	3	3
Approx. shipping wt. (lbs.)	240	205	180	180	240	180



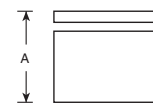
Front view



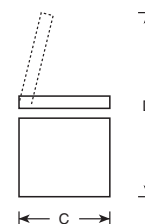
Top view

# GE chest freezers

	GE						
	FCM25SB	FCM20SU	FCM15PU	FCM15SU	FCM9DT	FCM7SU	FCM5SU
ENERGY STAR qualified			●				
<b>Capacity</b>							
Total volume (cu. ft.)	24.9	19.7	14.8	14.8	8.8	7.0	5.0
<b>Features</b>							
Manual defrost	●	●	●	●	●	●	●
Temperature control	Mechanical	Adjustable	Adjustable	Adjustable	Adjustable	Adjustable	Adjustable
Power "ON" light	●	●	●	●	●	●	●
Wraparound condenser	●	●	●	●	●	●	●
Wraparound evaporator	●	●	●	●	●	●	●
Upfront defrost water drain	●	●	●	●	●	●	●
Interior light	●	●	●	●	●	●	●
Lock	●	●	●	●	●	●	●
Lift-out and sliding bulk storage basket(s)	5	5	4	4	2	2	1
Second-level rail	●	●	●	●	●	●	●
<b>Economical/Quiet</b>							
Insulation (cabinet foam, lid packed)	●	●	●	●	●	●	●
Cabinet liner	Steel epoxy-coated	Steel epoxy-coated	Steel epoxy-coated	Steel epoxy-coated	Steel epoxy-coated	Textured aluminum	Textured aluminum
<b>Appearance</b>							
Color available	White	White	White	White	White	White	White
Handle	●	●	●	●	●	Recessed	Recessed
Textured steel case and lid	●	●	●	●	●		
<b>Weights &amp; Dimensions</b>							
Height (in.) A	35	35	35	35	34-1/4	33-1/4	33-1/4
Width (in.) B	73-1/4	61-1/4	48	48	41	37	28-5/16
Depth (in.) C	29-1/2	29-1/2	29-1/2	29-1/2	23-1/4	22	22
Height with lid open (in.) D	60-3/4	60-3/4	60-3/4	60-3/4	54-1/4	53	53
Air clearances	Each side (in.)	3	3	3	3	3	3
	Back (in.)	3	3	3	3	3	3
Approx. shipping wt. (lbs.)	225	195	161	161	140	98	111



Front view



Side view

# 30" built-in double ovens

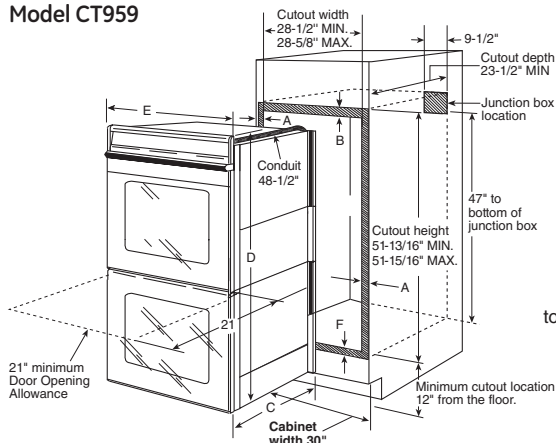
Features	GE Café™				GE Profile™			GE®		
	Convection double ovens				Double ovens			Microwave double ovens		
	CT959ST	PT960SR PT960DR	PT958SR PT958DR	PT956SR PT956DR	JTP75SP JTP75DP	JTP55SP JTP55DP	JTP35SP JTP35DP	PT970SR PT970DR	JTP90SP JTP90DP	
Capacity (cu. ft.)	4.4/4.4	4.4/4.4	4.4/4.4	4.4/4.4	4.4/4.4	4.4/4.4	4.4/4.4	4.4/1.6	4.4/1.6	
Oven	Convection/ Self-clean	Convection/ Self-clean	Convection/ Self-clean	Convection/ Self-clean	Convection/ Self-clean	Self-clean	Self-clean	Microwave	Microwave	
Upper	Convection/ Self-clean	Convection/ Self-clean	Convection/ Self-clean	Self-clean	Self-clean	Self-clean	Standard-clean	Convection/ Self-clean	Self-clean	
Lower	Convection/ Self-clean	Convection/ Self-clean	Convection/ Self-clean	Self-clean	Self-clean	Self-clean	Standard-clean	Convection/ Self-clean	Self-clean	
Cleaning time	Variable	Variable	Variable	Variable	Variable	Variable	Variable (upper)	Variable (lower)	Variable (lower)	
Automatic self-clean oven door lock	●	●	●	●	●	●	Upper	Lower	Lower	
Self-clean oven w/delay clean option	●	●	●	●	●	●	Upper	Lower	Lower	
Light self-clean option	●	●	●	●	●	●	Upper	Lower	Lower	
TrueTemp™ oven system	●	●	●	●	●	●	Upper	Lower	Lower	
Hidden bake oven interior	●	●	●	●	●	●	●	Lower	Lower	
Six-pass broil element/Variable broil	●	●	●	●	●	●	●	Lower	Lower	
Eight-pass bake element	●	●	●	●	●	●	●	Lower	Lower	
PreciseAir™ convection system	●	●	●	Upper	Upper	●	●	Lower	●	
Convection Bake	Multi/single-rack	Multi/single-rack	Multi/single-rack	Multi/single-rack	Upper	●	●	Lower	●	
Convection Roast	●	●	●	●	Upper	●	●	Lower	●	
Auto Recipe™ conversion	●	●	●	Upper	Upper	●	●	●	●	
QuickSet controls	Glass touch	LCD-glass touch	Glass touch	Glass touch	Glass touch	QuickSet V	QuickSet IV	●	●	
Proof mode	●	●	●	Upper	●	●	●	Lower	●	
Oven meat probe	●	●	●	Upper	●	●	●	Lower	●	
Warm mode	●	●	●	Upper	●	●	●	Lower	●	
Temperature display	●	●	●	●	●	●	Upper	Lower	Lower	
Delay bake option	●	●	●	●	●	●	Upper	Lower	Lower	
C° and F° programmable	●	●	●	●	●	●	Upper	Lower	Lower	
Audible preheat signal	●	●	●	●	●	●	Upper	Lower	Lower	
Auto oven shut-off w/override	●	●	●	●	●	●	Upper	Lower	Lower	
Electronic clock and kitchen timer	●	●	●	●	●	●	●	Lower	●	
Control lock capability	●	●	●	●	●	●	Upper	Lower	Lower	
Oven light	2	2	2	2	1/1	1/1	1/1	2 (Lower)	1 (Lower)	
Certified Sabbath mode	●	●	●	●	●	●	Upper	Lower	Lower	
Flat convection cover	●	●	●	●	●	●	●	Lower	●	
QuietBake™ fan system	●	●	●	●	●	●	●	Lower	Lower	
Microwave oven features:								Upper	Upper	
Microwave cooking timer								99-min./99-sec.	99-min./99-sec.	
Microwave power levels								10	10	
Sensor functions								6	3	
Electronic microwave oven touch controls								●	●	
Microwave oven cavity (cu. ft.)								1.6	1.6	
Microwave oven power output watts								1000	1000	
Turntable								●	●	
Oven racks	2 heavy-duty handles and 1 handle roller rack	3 heavy-duty	3 heavy-duty	3 heavy-duty	3 heavy-duty	2 heavy-duty	2 heavy-duty			
Upper	2 heavy-duty handles and 1 handle roller rack	2 heavy-duty and 1 roller rack	2 heavy-duty and 1 roller rack	1 heavy-duty and 1 roller rack	2 heavy-duty	2 heavy-duty	2 heavy-duty	3 heavy-duty	2 heavy-duty	
Lower	2 heavy-duty handles and 1 handle roller rack	2 heavy-duty and 1 roller rack	2 heavy-duty and 1 roller rack	1 heavy-duty and 1 roller rack	2 heavy-duty	2 heavy-duty	2 heavy-duty	3 heavy-duty	2 heavy-duty	
Embossed rack positions	7 upper/7 lower	7 upper/7 lower	7 upper/7 lower	7 upper/7 lower	7 upper/7 lower	7 upper/7 lower	7 upper/7 lower	7 lower	7 lower	
<b>Appearance</b>										
Color appearance*	SS	SS BB	SS BB	SS WW/CC/BB	SS WW/BB	SS WW/BB	SS WW/BB	SS WW/BB	SS WW/BB	
Frameless oven doors	Stainless steel	Stainless steel/ Black glass	Stainless steel/ Black glass	Stainless steel/ White glass/ Bisque glass/ Black glass	Stainless steel/ White glass/ Black glass	Stainless steel/ White glass/ Black glass	Stainless steel/ White glass/ Black glass	Stainless steel/ White glass/Black glass	Stainless steel/ White glass/ Black glass	
Oven door with window	Big ClearView™	Big ClearView	Big ClearView	Big ClearView	Big hearth	Big hearth	Big hearth	Big ClearView	Big hearth	
Oven door handles	GE Café stainless	Sculptured stainless steel	Sculptured stainless steel	Sculptured stainless steel/ Sculptured white/ Sculptured bisque/ Sculptured black	Stainless steel/ White/Black	Stainless steel/ White/Black	Stainless steel/ White/Black	Sculptured stainless steel/ Sculptured white/ Sculptured black	Stainless steel/ White/Black	
Black glass oven interior	●	●	●	●	●	●	●	●	●	
<b>Weights &amp; Dimensions</b>										
Approx. shipping wt. (lbs.)	270	284	270	261	250	257	250	206	210	
Oven cabinet width required (in.)	30	30	30	30	30	30	30	30	30	
Overall dimensions (WxHxD in inches)	29-3/4 x 52-7/8 x 23-1/2	29-3/4 x 52-7/8 x 23-1/2	29-3/4 x 52-7/8 x 23-1/2	29-3/4 x 52-7/8 x 23-1/2	29-3/4 x 52-7/8 x 23-1/2	29-3/4 x 52-7/8 x 23-1/2	29-3/4 x 52-7/8 x 23-1/2	29-3/4 x 43-1/2 x 23-1/2	29-3/4 x 43-1/2 x 23-1/2	
Overall oven interior dimensions	24 x 17-1/2 x 18-1/4	24 x 17-1/2 x 18-1/4	24 x 17-1/2 x 18-1/4	24 x 17-1/2 x 18-1/4	24 x 17-1/2 x 18-1/4	24 x 17-1/2 x 18-1/4	24 x 17-1/2 x 18-1/4	16-1/4 x 9-5/8 x 15-3/4	16-1/4 x 9-5/8 x 15-3/4	
Upper	24 x 17-1/2 x 18-1/4	24 x 17-1/2 x 18-1/4	24 x 17-1/2 x 18-1/4	24 x 17-1/2 x 18-1/4	24 x 17-1/2 x 18-1/4	24 x 17-1/2 x 18-1/4	24 x 17-1/2 x 18-1/4	24 x 17-1/2 x 18-1/4	24 x 17-1/2 x 18-1/4	
Lower	24 x 17-1/2 x 18-1/4	24 x 17-1/2 x 18-1/4	24 x 17-1/2 x 18-1/4	24 x 17-1/2 x 18-1/4	24 x 17-1/2 x 18-1/4	24 x 17-1/2 x 18-1/4	24 x 17-1/2 x 18-1/4	24 x 17-1/2 x 18-1/4	24 x 17-1/2 x 18-1/4	
<b>Power/Ratings</b>										
KW rating @	240V 208V	7.6 5.7	7.6 5.7	7.6 5.7	7.6 5.7	9.0 6.8	9.0 6.8	6.9 5.2	6.8 5.1	
Amps @	240V 208V	40 40	40 40	40 40	40 40	40 40	40 40	40 30	30 30	
Convection wattage	2500	2500	2500	2500	2500	2400	2400	2500	3400	
Broiler wattage	3600	3600	3600	3600	2400	2100	2100	3600	3400	
Bake wattage	2100	2100	2100	2100	2100	2100	2100	2100	2100	

\*SS = Stainless steel, WW = White on white, CC = Bisque on bisque, BB = Black on black.



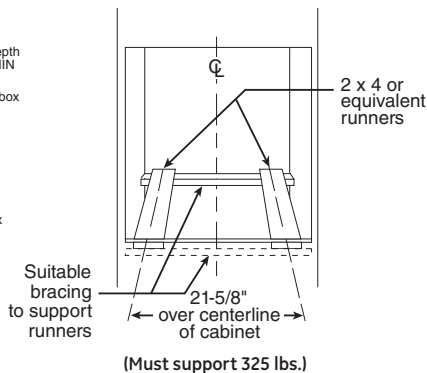
Listed by Underwriters Laboratories

### 30" GE Café built-in double oven dimensions (in inches) Model CT959



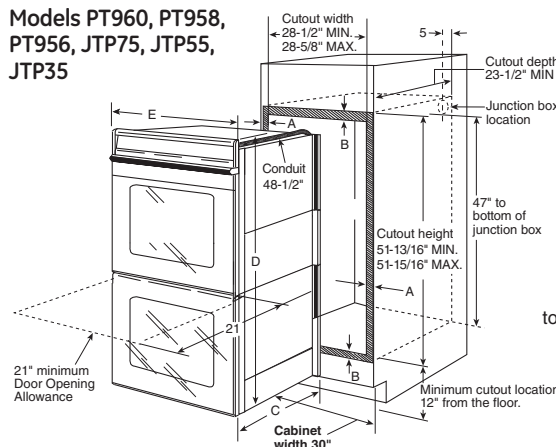
MOST 30" WALL CABINETS CAN BE USED WITH THIS UNIT.  
THE OPENING BETWEEN THE INSIDE WALLS MUST BE AT LEAST 28-1/2" WIDE.

### Oven support for 30" GE Café models



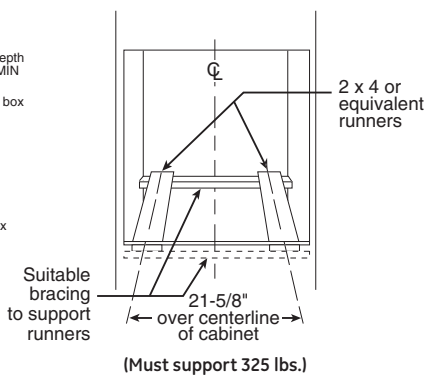
Cabinet		30"
A - Overlap of oven over side edges of cutout		11/16"-3/4"
B - Overlap of oven at top of cutout		1"
Oven		
C - Overall depth with handle		27"
	without trim	52-7/16"
D - Overall height	with trim	52-15/16"
E - Overall width		29-11/16"
F - Overlap of oven at bottom of cutout		1-1/14"

### 30" GE Profile and GE built-in double oven dimensions (in inches) Models PT960, PT958, PT956, JTP75, JTP55, JTP35



MOST 30" WALL CABINETS CAN BE USED WITH THIS UNIT.  
THE OPENING BETWEEN THE INSIDE WALLS MUST BE AT LEAST 28-1/2" WIDE.

### Oven support for 30" GE Profile and GE models



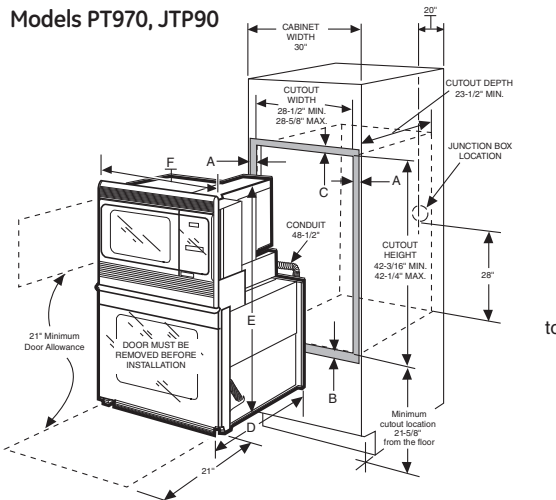
Cabinet		30"
A - Overlap of oven over side edges of cutout		11/16"-3/4"
B - Overlap of oven at top and bottom of cutout		1"
Oven		
	without handle	23-1/2"
C - Install depth	with handle	26-5/8" min.-26-7/8" max.
	without trim	52-7/8"
D - Overall height	with trim	53-3/8"
E - Overall width		29-3/4"

**Note:** Cabinets installed adjacent to wall ovens must have an adhesion spec of at least a 194°F temperature rating.

**Note:** If marks, blemishes or the cutout opening is visible above the installed oven, it may be necessary to add wood shims under the runners and front trim until the marks or openings are covered.

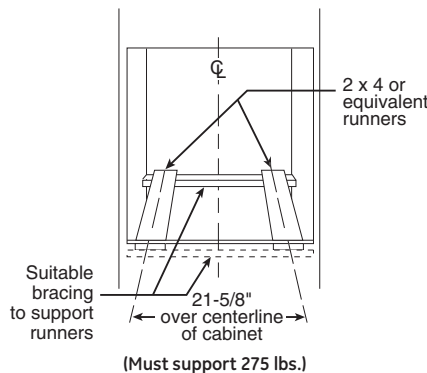
**Note:** Door handle protrudes 3" from door face. Cabinets and drawers on adjacent 45° and 90° walls should be placed to avoid interference with the handle.

### 30" built-in microwave double oven dimensions (in inches) Models PT970, JTP90



MOST 30" WALL CABINETS CAN BE USED WITH THIS UNIT.  
THE OPENING BETWEEN THE INSIDE WALLS MUST BE AT LEAST 28-1/2" WIDE.

### Oven support for 30" microwave double oven models



Cabinet		30"
A - Overlap of oven over side edges of cutout		11/16"
B - Overlap of oven at bottom of cutout		1"
C - Overlap of oven at top of cutout		1/2"
Oven		
	without handle	23-1/2"
D - Install depth	with handle	26-5/8" min.-26-7/8" max.
	without trim	43-1/2"
E - Overall height	with trim	44"
F - Overall width		29-3/4"

**Note:** Cabinets installed adjacent to wall ovens must have an adhesion spec of at least a 194°F temperature rating.

**Note:** If marks, blemishes or the cutout opening is visible above the installed oven, it may be necessary to add wood shims under the runners and front trim until the marks or openings are covered.

**Note:** Door handle protrudes 3" from door face. Cabinets and drawers on adjacent 45° and 90° walls should be placed to avoid interference with the handle.

**Electric wall ovens are not approved for installation with a plug and receptacle. They must be hard wired in accordance with installation instructions.**

**Installation information:** Before installing, consult installation instructions packed with product for current dimensional data.

Above illustrations intended for dimensional reference only. Refer to photography for actual product appearance.

# 30" built-in single ovens

	GE Café™		GE Profile™			GE®		
	Convection single oven	Single-double oven	Convection single ovens			Single ovens		
	CT918ST	PT925SN PT925DN	PT920SR PT920DR	PT916SR PT916DR	PT900SR PT900DR	JTP70SP JTP70DP	JTP31SR JTP30SP JTP30DP	JTS10SP JTS10DP
ADA-compliant	●	●	●	●	●	●	●	●
<b>Features</b>								
Oven capacity (cu. ft.)	4.4	2.2/2.8	4.4	4.4	4.4	4.4	4.4	4.4
Oven	Convection/ Self-clean	Convection/ Self-clean	Convection/ Self-clean	Convection/ Self-clean	Self-clean	Convection/ Self-clean	Self-clean	Standard-clean
Cleaning time	Variable	Variable	Variable	Variable	Variable	Variable	Variable	
Automatic self-clean oven door lock	●	●	●	●	●	●	●	
Self-clean oven with delay clean option	●	●	●	●	●	●	●	
Light self-clean option	●	●	●	●	●	●	●	
TrueTemp™ oven system	●	●	●	●	●	●	●	●
Hidden bake oven interior	●	●	●	●	●	●	●	●
Six-pass broil element/Variable broil	●	●	●	●	●	●	●	●
Eight-pass bake element	●	●	●	●	●	●	●	●
PreciseAir™ convection system	●	Lower oven	●	●	●	●	●	
Convection Bake	Multi-/single-rack	Lower oven	Multi-/single-rack	Multi-/single-rack		Multi-/single-rack		
Convection Roast	●	Lower oven	●	●		●		
Auto Recipe™ conversion	●	●	●	●		●		
QuickSet controls	Glass touch	Glass touch	LCD-glass touch	Glass touch	Glass touch	Glass touch	QuickSet IV	Electronic
Proof mode	●	●	●	●		●		
Warm mode	●	●	●	●	●	●		
Oven meat probe	●	Lower oven	●	●		●		
Temperature display	●	●	●	●	●	●	●	●
Delay bake option	●	●	●	●	●	●	●	●
C° and F° programmable	●	●	●	●	●	●	●	●
Audible preheat signal	●	●	●	●	●	●	●	●
Auto oven shut-off w/override	●	●	●	●	●	●	●	●
Electronic clock and kitchen timer	●	●	●	●	●	●	●	●
Control lock capability	●	●	●	●	●	●	●	●
Oven light	2	●	2	2	2	1	1	1
Certified Sabbath mode	●	Lower oven	●	●	●	●	●	●
Flat convection cover	●	Lower oven	●	●	●	●	●	●
QuietBake™ fan system	●	●	●	●	●	●	●	●
Oven racks	2 heavy-duty handles and 1 handle roller rack	3 heavy-duty	2 heavy-duty and 1 roller rack	2 heavy-duty and 1 roller rack	2 heavy-duty	3 heavy-duty	2 heavy-duty	2 heavy-duty
Self-clean oven racks		●						
Rack positions	7	2 upper/3 lower	7	7	7	7	7	7
<b>Appearance</b>								
Color appearance*	SS	SS BB	SS BB	SS WW/CC/BB	SS BB	SS WW/BB	SS w/black pad SS w/matching pad WW/CC/BB	SS BB
Frameless oven door	Stainless steel	Stainless steel Black glass	Stainless steel Black glass	Stainless steel White glass/ Bisque glass/ Black glass	Stainless steel Black glass	Stainless steel White glass/ Black glass	Stainless steel White glass/ Bisque glass/ Black glass	Stainless steel Black glass
Oven door with window	Big ClearView™	Big ClearView	Big ClearView	Big ClearView	Big ClearView	Big hearth	Big hearth	Big hearth
Oven door handle	GE Café Stainless	Sculptured stainless steel Sculptured black	Sculptured stainless steel Sculptured black	Sculptured stainless steel Sculptured white/ Sculptured bisque/ Sculptured black	Sculptured stainless steel Sculptured black	Stainless steel White/Black	Stainless steel White/Bisque/ Black	Stainless steel Black
Black glass oven interior	●	●	●	●	●			
Undercounter installation	●	●	●	●	●	●	●	●
<b>Weights &amp; Dimensions</b>								
Approx. shipping wt. (lbs.)	148	212	156	148	136	127	122	118
Oven cabinet width required (in.)	30	30	30	30	30	30	30	30
Overall dimensions (WxHxD in inches)	29-11/16 x 28-1/8 x 23-1/4	29-3/4 x 28-1/4 x 23-1/2	29-3/4 x 28-1/4 x 23-1/2	29-3/4 x 28-1/4 x 23-1/2	29-3/4 x 28-1/4 x 23-1/2	29-3/4 x 28-1/4 x 23-1/2	29-3/4 x 28-1/4 x 23-1/2	29-3/4 x 28-1/4 x 23-1/2
Overall oven interior dimensions (WxHxD in inches)	24 x 17-1/2 x 18-1/4	Upper: 24 x 8-3/4 x 17-7/8 Lower: 24 x 12-1/2 x 16	24 x 17-1/2 x 18-1/4	24 x 17-1/2 x 18-1/4	24 x 17-1/2 x 18-1/4	24 x 17-1/2 x 18-1/4	24 x 17-1/2 x 18-1/4	24 x 17-1/2 x 18-1/4
<b>Power/Ratings</b>								
KW rating @ 240V	3.8	3.9	3.8	3.8	3.8	4.5	4.5	2.4
208V	2.8	2.9	2.8	2.8	2.8	3.4	3.4	1.8
Amps @ 240V	20	20	20	20	20	20	20	20
208V	20	20	20	20	20	20	20	20
Convection wattage	2500	1300	2500	2500	2500	2500	2500	2500
Broiler wattage	3600	Upper: 2750 Lower: 2950	3600	3600	3600	2400	2400	2400
Bake wattage	2100	Upper: 1700 Lower: 2200	2100	2100	2100	2100	2100	2100

\*SS = Stainless steel, WW = White on white, CC = Bisque on bisque, BB = Black on black.

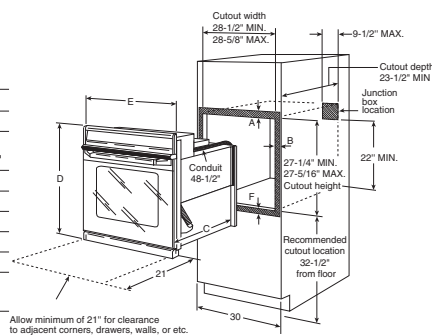


Listed by Underwriters Laboratories

**30" GE Café built-in single oven dimensions (in inches)**

**Model CT918**

<b>Cabinet</b>	30"
A - Overlap of oven at top of cutout	1"
B - Overlap of oven over side of edges of cutout	11/16"-3/4"
<b>Oven</b>	
C - Overall depth with handle without trim	27"
	27-15/16"
D - Overall height with trim	28-1/2"
E - Overall width	29-11/16"
F - Overlap of oven at bottom of cutout	1-1/4"

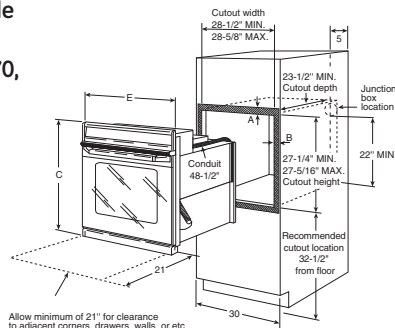


Allow minimum of 21" for clearance to adjacent corners, drawers, walls, or etc.

**30" GE Profile and GE built-in single oven dimensions (in inches)**

**Models PT920, PT916, PT900, JTP70, JTP31, JTP30, JTS10**

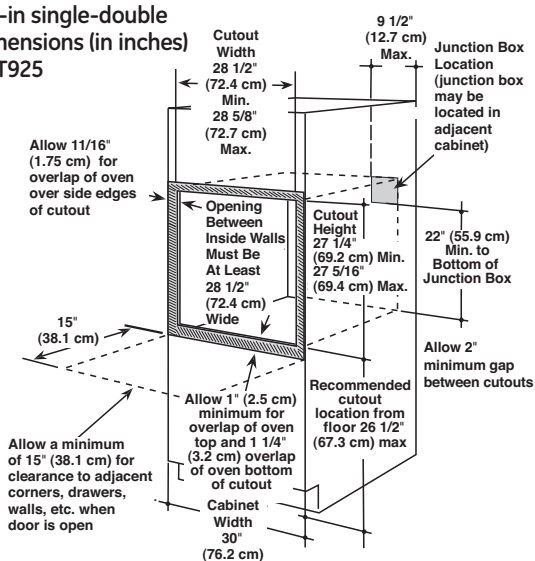
<b>Cabinet</b>	30"
A - Overlap of oven over top and bottom edges of cutout	1"
B - Overlap of oven over sides and edges of cutout without trim	11/16"-3/4"
	28-1/4"
C - Install height with trim	28-3/4"
	28-1/2"
	26-5/8" min. - 26-7/8" max.
D - Install depth with handle	26-7/8" max.
E - Overall width	29-3/4"



Allow minimum of 21" for clearance to adjacent corners, drawers, walls, or etc.

**30" built-in single-double oven dimensions (in inches)**

**Model PT925**



**Note:** Gas, electronic touch and electric coil cooktops cannot be installed over the PT925 due to the top of the oven preventing the cooktop from fitting into place.

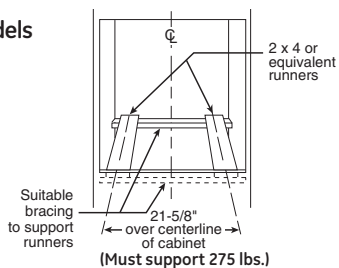
**Most 30" wall cabinets can be used with this unit.**

**Note:** These ovens are not approved for stackable installation.

**Note:** Cabinets installed adjacent to wall ovens must have an adhesion spec of at least a 194°F temperature rating.

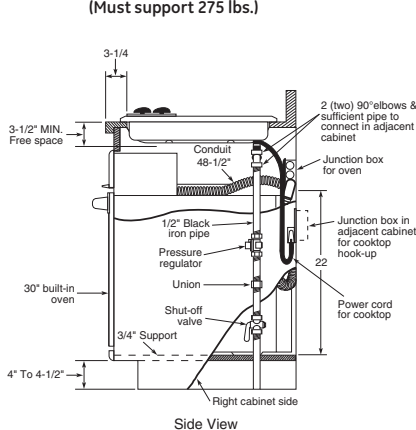
**Note:** Door handle protrudes 3" from door face. Cabinets and drawers on adjacent 45° and 90° walls should be placed to avoid interference with the handle.

**Oven support for 30" models**



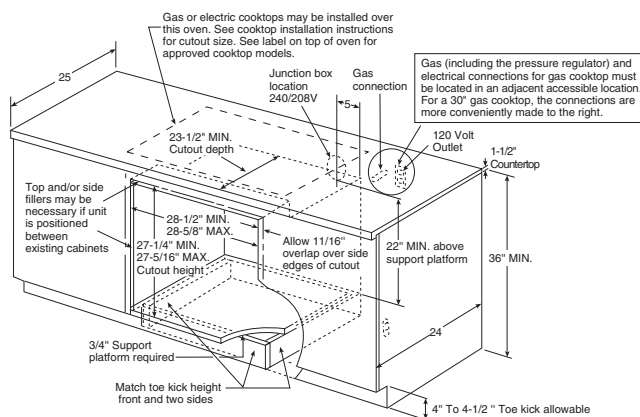
**Optional undercounter installation dimensions (in inches) with gas cooktop**

**Models CT918, PT920, PT916, PT900, JTP70, JTP31, JTP30, JTS10**



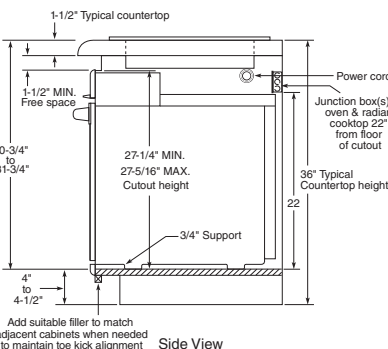
**Undercounter installation dimensions (in inches)**

**Models CT918, PT920, PT916, PT900, JTP70, JTP31, JTP30, JTS10**



**Optional undercounter installation dimensions (in inches) with electric cooktop**

**Models CT918, PT920, PT916, PT900, JTP70, JTP31, JTP30, JTS10**



Add suitable filler to match adjacent cabinets when needed to maintain toe kick alignment

**Note:** 36" ribbon cooktops are approved for use over GE 30" single wall ovens and warming drawers. 30" ribbon cooktops are approved for use over GE 30" and GE 27" single wall ovens and warming drawers. Refer to cooktop and wall oven installation information packed with products for current dimensional data.

**Note:** Door handle protrudes 3" from door face. Cabinets and drawers on adjacent 45° and 90° walls should be placed to avoid interference with the handle.

**Installation information:** Before installing, consult installation instructions packed with product for current dimensional data and for alternate installation options.

**Electric wall ovens are not approved for installation with a plug and receptacle. They must be hard wired in accordance with installation instructions.**

**Installation information:** Before installing, consult installation instructions packed with product for current dimensional data and combination installation requirements.

Above illustrations intended for dimensional reference only. Refer to photography for actual product appearance.

# 27" and 24" built-in double ovens

		GE Profile™		GE®			
		27" convection double oven		27" double ovens		27" microwave double oven	24" double oven
		PK956SR PK956DR	JKP75SP JKP75DP	JKP55SP JKP55DP	JKP35SP JKP35DP	JKP90SP JKP90DP	JRP28SK JRP28BJ
<b>Features</b>							
Capacity (cu. ft.)		3.8/3.8		3.8/3.8		3.8/1.6	
Oven	Upper	Convection/self-clean		Convection/self-clean		Microwave	
	Lower	Self-clean		Self-clean		Self-clean	
Cleaning time		Variable		Variable		Variable (upper)	
Automatic self-clean oven door lock		●		●		●	
Self-clean oven w/delay clean option		●		●		●	
Light self-clean option		●		●		●	
TrueTemp™ oven system		●		●		●	
Hidden bake oven interior		●		●		●	
Variable broil/Four-pass broil		●		●		●	
Eight-pass bake element		●		●		●	
PreciseAir™ convection system		Upper		Upper			
Convection Bake		Multi-/single-rack		Upper			
Convection Roast		Upper		Upper			
Auto Recipe™ conversion		Upper		Upper			
QuickSet controls		Glass touch		Glass touch		QuickSet V	
Proof mode		Upper		●			
Warm mode		Upper		●			
Oven meat probe		Upper					
Temperature display		●		●		●	
Delay bake option		●		●		●	
C° and F° programmable		●		●		●	
Audible preheat signal		●		●		●	
Auto oven shut-off w/override		●		●		●	
Electronic clock and kitchen timer		●		●		●	
Control lock capability		●		●		●	
Oven light		●		●		●	
Certified Sabbath mode		●		●		●	
Flat convection cover		●		●		●	
QuietBake™ fan system		●		●		●	
Microwave oven features:						Upper	
Microwave cooking timer						99-min./99-sec.	
Microwave power levels						10	
Sensor functions						3	
Electronic MWO touch controls						●	
Microwave oven cavity (cu. ft.)						1.6	
MWO power output watts						1000	
Turntable						●	
Oven racks	Upper	3 heavy-duty		3 heavy-duty		2 heavy-duty	
	Lower	1 heavy-duty and 1 roller rack		2 heavy-duty		2 heavy-duty	
Embossed rack positions		4 upper/4 lower		4 upper/4 lower		4 upper/4 lower	
<b>Appearance</b>							
Color appearance*		SS WW/CC/BB		SS WW/BB		SS WW/BB	
Frameless oven doors		Stainless steel White glass/Bisque glass/ Black glass		Stainless steel White glass/Black glass		Stainless steel White glass/Black glass	
Oven door with window		Big ClearView™		Big hearth		Big hearth	
Oven door handles		Sculptured stainless steel Sculptured white/ Sculptured bisque/ Sculptured black		Stainless steel White/Black		Stainless steel White/Black	
Black oven interior		●					
<b>Weights &amp; Dimensions</b>							
Approx. shipping wt. (lbs.)		235		206		203	
Oven cabinet width required (in.)		27		27		27	
Overall dimensions (WxHxD in inches)		26-5/8 x 51 x 23-5/8		26-5/8 x 51 x 23-5/8		26-5/8 x 51 x 23-5/8	
Overall oven interior dimensions (WxHxD in inches)		Upper 21-1/2 x 17 x 18-1/4		Upper 21-1/2 x 17 x 18-1/4		Upper 21-1/2 x 17 x 18-1/4	
		Lower 21-1/2 x 17 x 18-1/4		Lower 21-1/2 x 17 x 18-1/4		Lower 21-1/2 x 17 x 18-1/4	
<b>Power/Ratings</b>							
KW rating @	240V	7.2		6.8		6.8	
	208V	5.4		5.1		5.1	
	240V	30		30		30	
	208V	30		30		30	
Convection wattage		2500		2500		2500	
Broiler wattage		3400		3400		3400	
Bake wattage		2100		2100		2100	

\*SS = Stainless steel, WW = White on white, CC = Bisque on bisque, BB = Black on black.

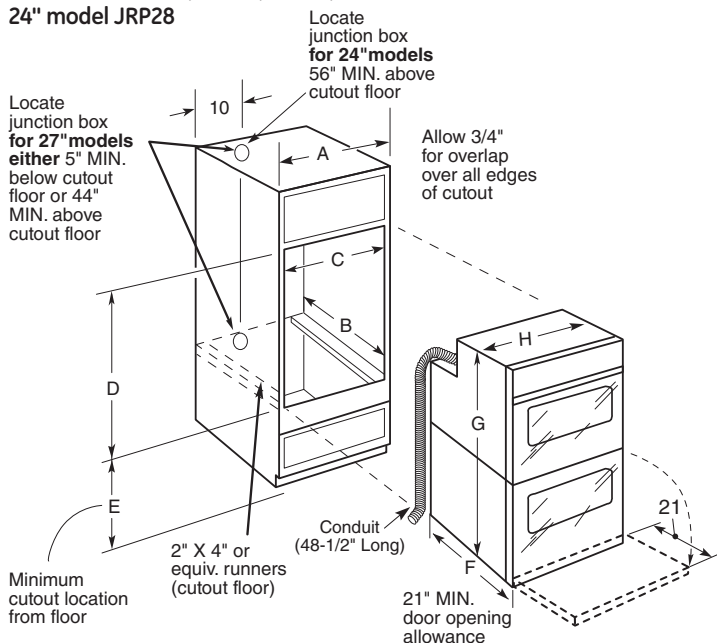


Listed by  
Underwriters  
Laboratories



**27"/24" built-in double oven dimensions (in inches)**

27" models PK956, JKP75, JKP55, JKP35  
24" model JRP28



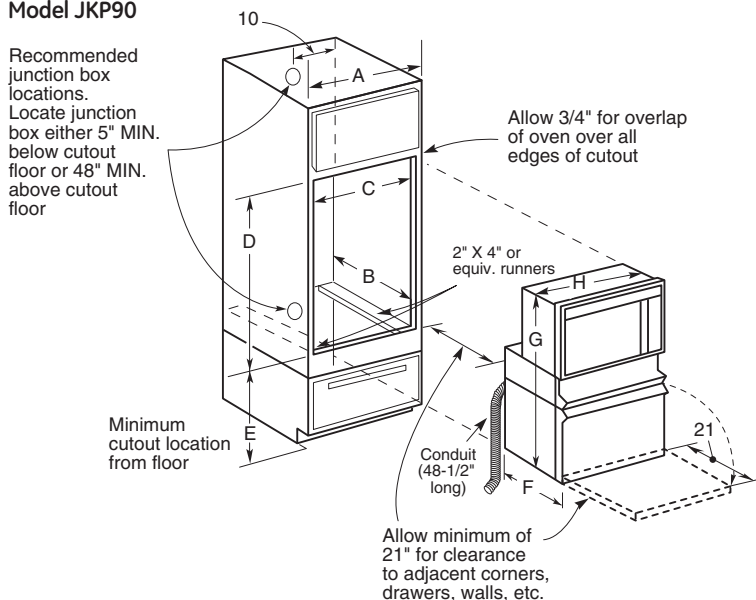
**Note:** Cabinets installed adjacent to wall ovens must have an adhesion spec of at least a 194°F temperature rating.

**Note:** If marks, blemishes or the cutout opening is visible above the installed oven, it may be necessary to add wood shims under the runners and front trim until the marks or openings are covered.

**Note:** Door handle protrudes 3" from door face. Cabinets and drawers on adjacent 45° and 90° walls should be placed to avoid interference with the handle.

**27" built-in microwave double oven dimensions (in inches)**

Model JKP90



**Note:** Door handle protrudes 3" from door face. Cabinets and drawers on adjacent 45° and 90° walls should be placed to avoid interference with the handle.

**Note:** Cabinets installed adjacent to wall ovens must have an adhesion spec of at least a 194°F temperature rating.

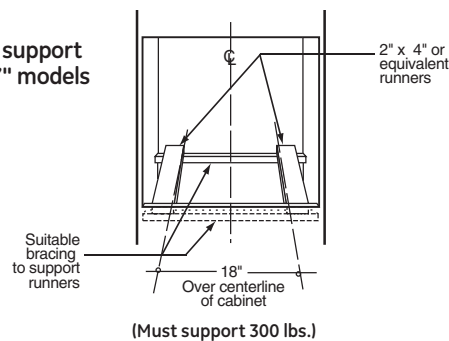
**Note:** If marks, blemishes or the cutout opening is visible above the installed oven, it may be necessary to add wood shims under the runners and front trim until the marks or openings are covered.

Electric wall ovens are not approved for installation with a plug and receptacle. They must be hard wired in accordance with installation instructions.

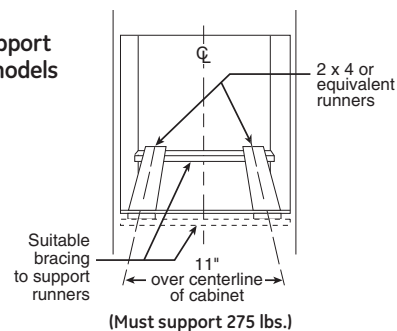
**Installation information:** Before installing, consult installation instructions packed with product for current dimensional data.

Above illustrations intended for dimensional reference only. Refer to photography for actual product appearance.

**Oven support for 27" models**

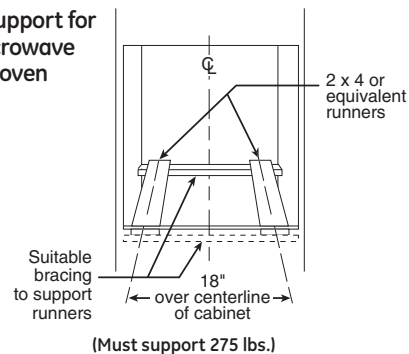


**Oven support for 24" models**



Cabinet	PK956/JKP75/55/35	JRP28
A - Cabinet width required	27" min.	24" min.
B - Minimum cabinet depth	23-5/8"	23-1/2"
C - Opening width	25" min.-25-1/4" max.	22-1/2"
D - Opening height	49-11/16" min.-50-1/8" max.	48-1/8" min.
E - Recommended minimum cutout location from floor	13-1/4"	14"
<b>Oven</b>		
F - Install depth	w/o handle 23-5/8"	23-1/8"
	with handle 26-11/16"-26-13/16"	28-1/8"
	w/o trim 51"	48-1/8"
G - Overall height with trim	51-7/8"-52-3/4"	48-25/32"
H - Overall width	26-5/8"	23-3/4"

**Oven support for 27" microwave double oven models**



Cabinet	27"
A - Cabinet width required	27" min.
B - Minimum cabinet depth	23-5/8"
C - Opening width	25" min.-25-1/4" max.
D - Opening height	41-1/4" max.
E - Minimum cutout location from floor	22"
<b>Oven</b>	
F - Install depth	w/o handle 23-5/8"
	with handle 26-11/16" min.-26-13/16 max.
	w/o trim 42-1/8"
G - Overall height	with trim 43" - 43-7/8"
H - Overall width	26-5/8"

# 27" and 24" built-in single ovens

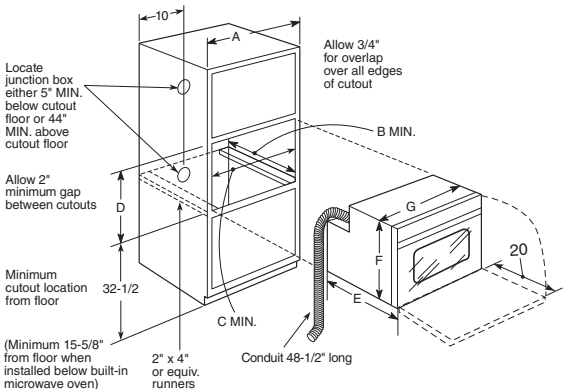
	GE Profile™	GE®			24" single ovens	
	27" convection single oven	27" single ovens				
	PK916SR PK916DR	JKP70SP JKP70DP	JKP30SP JKP30DP	JKS10SP JKS10DP	JRP20SK JRP20WJ JRP20BJ	JRS06SK JRS06BJ
ADA-compliant	●	●	●	●		
<b>Features</b>						
Oven capacity (cu. ft.)	3.8	3.8	3.8	3.8	2.7	2.7
Oven	Convection/self-clean	Convection/self-clean	Self-clean	Standard-clean	Self-clean	Standard-clean
Cleaning time	Variable	Variable	Variable		Variable	
Automatic self-clean oven door lock	●	●	●		●	
Self-clean oven w/delay clean option	●	●	●		●	
Light self-clean option	●	●	●			
TrueTemp™ oven system	●	●	●	●		
Hidden bake oven interior	●	●	●	●		
Variable broil/Four-pass broil	●	●	●	●	●	●
Eight-pass bake element	●	●	●	●		
PreciseAir™ convection system	●	●	●			
Convection Bake	Multi-/single-rack	Multi-/single-rack				
Convection Roast	●	●				
Auto Recipe™ conversion	●	●				
QuickSet controls	Glass touch	Glass touch	●	Electronic	●	●
Proof mode	●	●				
Warm mode	●	●				
Oven meat probe	●	●				
Temperature display	●	●	●	●	●	●
Delay bake option	●	●	●	●	●	●
C° and F° programmable	●	●	●	●	●	●
Audible preheat signal	●	●	●	●	●	●
Auto oven shut-off w/override	●	●	●	●	●	●
Electronic clock and kitchen timer	●	●	●	●	●	●
Control lock capability	●	●	●	●	●	●
Oven light	●	●	●	●	●	●
Certified Sabbath mode	●	●	●	●	●	●
Flat convection cover	●	●				
QuietBake™ fan system	●	●	●	●		
Oven racks	2 heavy-duty and 1 roller rack	3 heavy-duty	2 heavy-duty	2 heavy-duty	2	2
Embossed rack positions	4	4	4	4	4	4
<b>Appearance</b>						
Color appearance*	SS WW/CC/BB	SS WW/BB	SS w/ matching pad WW/CC/BB	SS BB	SS WW BB	SS BB
Frameless oven door	Stainless steel White glass/Bisque glass/ Black glass	Stainless steel White glass/ Black glass	Stainless steel White glass/ Bisque glass/ Black glass	Stainless steel Black glass	Stainless steel White glass Black glass	Stainless steel Black glass
Oven door with window	Big ClearView™	Big hearth	Big hearth	Big hearth	ClearView	ClearView
Oven door handle	Sculptured stainless steel Sculptured white/ Sculptured bisque/ Sculptured black	Stainless steel White/Black	Stainless steel White/Bisque/Black	Stainless steel Black	Stainless steel White Black	Stainless steel Black
Black oven interior	●					
Undercounter installation	●	●	●	●		
<b>Weights &amp; Dimensions</b>						
Approx. shipping wt. (lbs.)	125	120	120	97	114	82
Oven cabinet width required (in.)	27	27	27	27	24	24
Overall dimensions (WxHxD in inches)	26-5/8 x 29 x 23-5/8	26-5/8 x 29 x 23-5/8	26-5/8 x 29 x 23-5/8	26-5/8 x 29 x 23-5/8	23-3/4 x 28-3/16 x 23-1/8	23-3/4 x 28-3/16 x 23-1/8
Overall oven interior dimensions (WxHxD in inches)	21-1/2 x 17 x 18-1/4	21-1/2 x 17 x 18-1/4	21-1/2 x 17 x 18-1/4	21-1/2 x 17 x 18-1/4	17 x 15 x 18-1/2	17 x 15 x 18-1/2
<b>Power/Ratings</b>						
KW rating @	240V 208V	3.6 2.7	3.4 2.6	3.4 2.6	3.4 2.6	3.4 2.6
Amps @	240V 208V	20 20	20 20	20 20	20 20	20 20
Convection wattage		2500	2500			
Broiler wattage		3600	3400	3400	3400	3400
Bake wattage		2100	2100	2100	2650	2000

\*SS = Stainless steel, WW = White on white, CC = Bisque on bisque, BB = Black on black.



## 27"/24" built-in single oven dimensions (in inches)

27" models PK916, JKP70, JKP30, JKS10; 24" models JRP20, JRS06



Cabinet	PK916, JKP70/30, JKS10	JRP20, JRS06
A—Cabinet width required	27" min.	24" min.
B—Minimum cabinet depth	23-5/8"	23-1/2"
C—Opening width	25" min.—25-1/4" max.	22-1/2"
D—Opening height	27-5/8" min.—28-1/8" max.	27-5/8" min.
<b>Oven</b>		
E—Install depth	w/o handle 23-5/8"	23-1/8"
	w/ handle 26-11/16" min.— 26-13/16" max.	28-1/8"
	w/o trim 29"	27-1/2"
F—Overall height	w/ trim 29-7/8"—30-3/4"	28-1/4"
G—Overall width	26-5/8"	23-3/4"

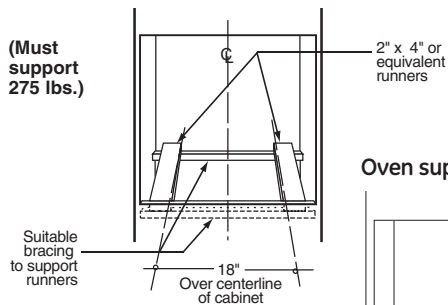
**Note: These ovens are not approved for stackable or side-by-side installations.**

**Note:** Door handle protrudes 3" from door face. Cabinets and drawers on adjacent 45° and 90° walls should be placed to avoid interference with the handle.

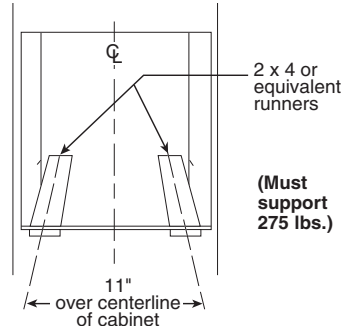
**Note:** Cabinets installed adjacent to wall ovens must have an adhesion spec of at least a 194°F temperature rating.

**Note:** For 27" built-in single ovens, if marks, blemishes or the cutout opening is visible above the installed oven, it may be necessary to add wood shims under the runners and front trim until the marks or openings are covered.

Oven support for 27" models

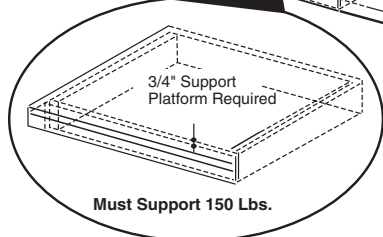
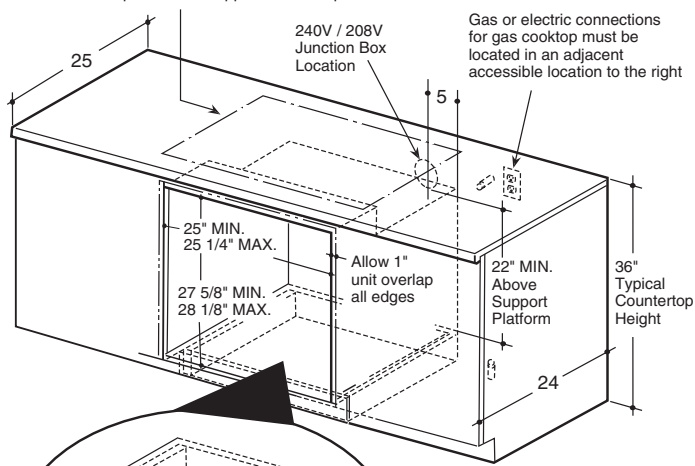


Oven support for 24" models



Undercounter installation dimensions (in inches)  
Models PK916, JKP70, JKP30 and JKS10

Gas or electric cooktops may be installed over this oven. See cooktop installation instructions for cutout size. See label on top of oven for approved cooktop models.



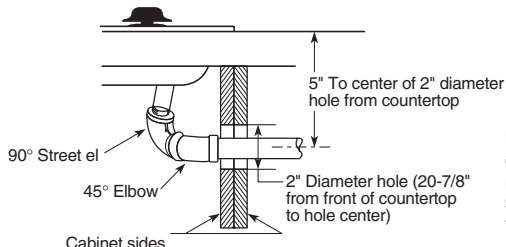
**Note:** 36" ribbon cooktops are approved for use over GE 30" single wall ovens and warming drawers. 30" ribbon cooktops are approved for use over GE 30" and GE 27" single wall ovens and warming drawers. Refer to cooktop and wall oven installation information packed with products for current dimensional data.

**Electric wall ovens are not approved for installation with a plug and receptacle. They must be hard wired in accordance with installation instructions.**

**Note:** Oven is rated for use only under GE 30" standard or sealed burner gas and selected GE 30" CleanDesign™ and Calrod® electric cooktops.

**Installation information:** Before installing, consult installation instructions packed with product for current dimensional data.

Sealed burner gas cooktop installation dimensions (in inches)



**Note:** Cabinets installed adjacent to wall ovens must have an adhesion spec of at least a 194°F temperature rating.

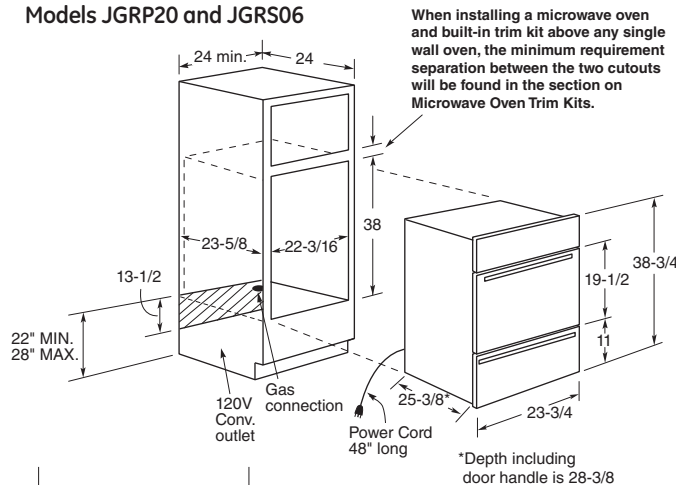
24" built-in gas ovens

Features	GE	
	JGRP20SEN JGRP20WEJ JGRP20BEJ	JGRS06BEJ
Oven capacity (cu. ft.)	2.7	2.7
Oven interior	Self-clean	Standard
Automatic self-clean oven door lock	•	
Delay clean option	•	
In-oven broiling	•	
Separate broiler drawer		•
Storage drawer	•	
Electronic controls	•	•
Temperature display	•	•
Start pad	•	•
Delay bake option w/cook & hold	•	•
C° or F° programmable	•	•
Audible preheat signal	•	•
Auto oven shut-off w/override	•	•
Electronic clock and kitchen timer	•	•
Control lock capability	•	•
Oven light pad	•	•
Oven racks	2	2
Broiler pan with grid	•	•
Electronic pilotless ignition	•	•
<b>Appearance</b>		
Color appearance*	SS WW BB	BB
Frameless oven door	Stainless steel White glass Black glass	Black glass
Oven door with window	•	•
Designer-style handle	•	•
<b>Weights &amp; Dimensions</b>		
Approx. shipping wt. (lbs.)	152	125
Oven cabinet width required (in inches)	24	24
Overall dimensions (WxHxD in inches)	23-3/4 x 38-3/4 x 25-3/8	23-3/4 x 38-3/4 x 25-3/8
Overall oven interior dimensions (WxHxD in inches)	17 x 15 x 18-7/8	
<b>Power/Ratings</b>		
Gas oven electrical rating	120V, 60Hz, 15A	120V, 60Hz, 5A
Broiler/Bake wattage (000's BTU's)		
Natural Gas/LP Gas**	13.0/13.0	14.5/14.5

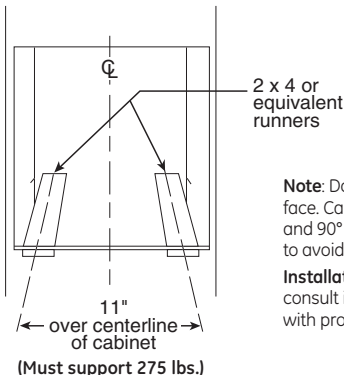
\*SS = Stainless steel, WW = White on white, BB = Black on black.  
\*\*Factory set for natural gas. A set of LP orifices is included with each oven for LP conversion.

Built-in gas oven dimensions (in inches)

Models JGRP20 and JGRS06



When installing a microwave oven and built-in trim kit above any single wall oven, the minimum requirement separation between the two cutouts will be found in the section on Microwave Oven Trim Kits.



**Note:** Door handle protrudes 3" from door face. Cabinets and drawers on adjacent 45° and 90° walls should be placed to avoid interference with the handle.

**Installation information:** Before installing, consult installation instructions packed with product for current dimensional data.

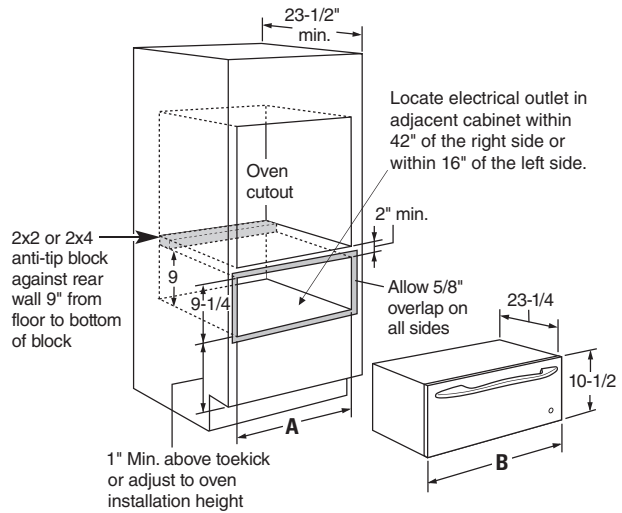
# 30" and 27" warming drawers

GE Profile™		
	30" warming drawer	27" warming drawer
	PTD915SM PTD915BM	PKD915SM
ADA-compliant*	●	●
<b>Features &amp; Controls</b>		
Capacity (cubic feet)	1.9	1.67
Control location	Hidden	Hidden
Operation	On/Off rocker switch	On/Off rocker switch
Indicator light	"On"	"On"
Temperature control	Rotary knob	Rotary knob
Proof temperature (°F)	75-95	75-95
Low temperature (°F)	140-160	140-160
Medium temperature (°F)	160-195	160-195
High temperature (°F)	195-230	195-230
Variable humidity control	Crisp/Moist	Crisp/Moist
Rack configuration	Half rack	Half rack
Drawer glide	Full-extension, ball-bearing glides	Full-extension, ball-bearing glides
<b>Appearance</b>		
Color appearance**	SS/BB	SS
Frameless drawer front	Black	Stainless steel
Handle	Black	Stainless steel
<b>Weights &amp; Dimensions</b>		
Approx. shipping wt. (lbs.)	65	59
Net weight (lbs.)	59	53
Cabinet width compatibility (inches)	30	27
Interior dimensions (WxHxD in inches)	23-7/8 x 6-1/4 x 22-1/16	20-7/8 x 6-1/4 x 22-1/16
Exterior dimensions (WxHxD in inches)	26-3/4 x 10-1/2 x 23-3/4	26-3/4 x 10-1/2 x 23-3/4
Cutout dimensions (WxHxD in inches)	28-1/2 x 9-1/4 x 23-1/2	25-1/2 x 9-1/4 x 23-1/2
<b>Power/Ratings</b>		
Amp rating @ 120V/60Hz	15	15
Element power (watts)	450	450
Power cord length (inches)	56	56
Outlet type	3-prong grounded	3-prong grounded
<b>Accessories</b>		
Two-pan set	JXPN2	JXPN2
Custom panel kit***	ZXD30B	ZXD27B

\*ADA-compliant when installed so the bottom of the drawer is 15"-38" from the floor.  
 \*\*SS = Stainless steel, BB = Black on black.  
 \*\*\*Custom panel will not be flush with adjacent cabinetry drawers and doors.



## Installation below a single or double wall oven (in inches) Models PTD915 and PKD915

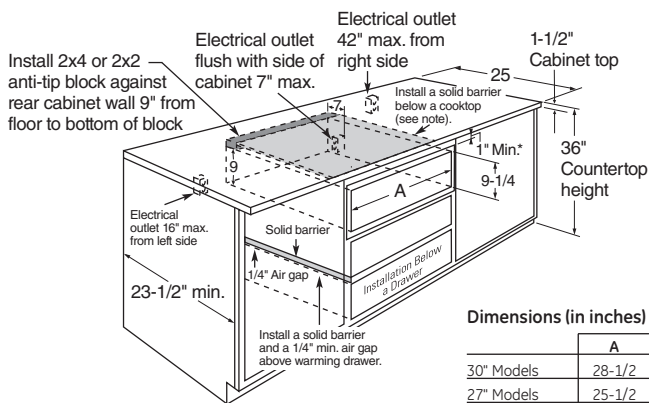


**Dimensions (in inches)**

	A	B
30" Models	28-1/2	30
27" Models	25-1/2	26-3/4

**Note:** Additional clearance between cutouts may be required. Check to be sure that oven supports above the warming drawer location do not obstruct the required interior 23-1/2" depth and 9-1/4" height.

## Undercounter installation dimensions (in inches) Models PTD915 and PKD915



**Dimensions (in inches)**

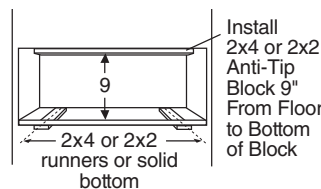
	A
30" Models	28-1/2
27" Models	25-1/2

**Note:** When installing the warming drawer below a cooktop, a solid barrier must be installed at least 1" from the lowest point of the bottom of cooktop burner box to the top of the cutout. Use any solid material such as 1/4"-thick plywood. Allow at least 1/4" air gap between the barrier and the top of the warming drawer. See label on top of the warming drawer for approved cooktop models.

**Note:** Door handle protrudes 3" from door face. Cabinets and drawers on adjacent 45° and 90° walls should be placed to avoid interference with the handle.

**Installation information:** Before installing, consult installation instructions packed with product for current dimensional data.

**Note:** Use of drawer with ZXD30B and ZXD27B custom panel kit will result in the panel not being flush with adjacent cabinet doors and drawers.



(Must support 150 lbs.)

### When installed under a cooktop:

Warming drawers are suitable for installation below only certain specified cooktop models. See the label attached to the top of the warming drawer for suitable models. A solid barrier and air gap between cooktop and warming drawer are required

Above illustrations intended for dimensional reference only. Refer to photography for actual product appearance.

# Built-in CleanDesign™ cooktops

Refrigeration

Cooking products

Microwave ovens

Dishwashers

Clothes care

Water heaters

Air conditioning

	GE Café™		GE Profile							
	CP650ST	CP350ST	Induction			Induction				
			PHP960SM PHP960DM	PP975SM PP975BM	PP962SM PP962BM PP962TM	PHP900SM PHP900DM	PP9455SM PP945BM PP945WM	PP944ST PP944DT PP944TT	PP932SM PP932BM	PP912SM PP912BM PP912KM PP912TM
ADA-compliant						●	●			
<b>Features &amp; Controls</b>										
Element type	Ribbon	Ribbon	Induction	Ribbon	Ribbon	Induction	Ribbon	Ribbon	Ribbon	Ribbon
Number of elements	5	5	5	5	5	4	4	5	4	4
Control	Knob (infinite switch)	Knob (infinite switch)	Electronic glass-touch controls	Electronic glass-touch controls	Knob (infinite switch)	Electronic glass-touch controls	Electronic glass-touch controls	Knob (infinite switch)	Knob (infinite switch)	Knob (infinite switch)
Control location	Right	Right	Front center	Front center	Front center	Front center	Right	Right	Right	Right
Control lock	Yes	Yes	Yes	Yes	Yes	Yes	Yes	Yes	Yes	Yes
Control lock indicator light	Rear right	Rear right		Front center	Front center		Rear right	Rear right	Rear right	Rear right
Knob cleaning	Dishwasher-safe	Dishwasher-safe			Dishwasher-safe			Dishwasher-safe	Dishwasher-safe	Dishwasher-safe
Hot surface indicator Qty, location	5, front center	5, front	5, front center	5, front center	5, front center	4, front center	4, front center	1, front	1, front	1, front
Cooktop "On" indicators, location	1, front center	1, front right	1, front center	1, front center	1, front center	1, front center	1, front center	1, front right	1, front right	1, front right
Pan presence sensor			●			●				
Pan size sensor			●			●				
Kitchen timer			●			●				
<b>Element Configuration</b>										
Front right element	5/8" PowerBoil™ (2400W)	6/9" PowerBoil (3000W)	8" (3200W)**	5/8" PowerBoil (2400)	5/8" dual element (1900W)	11" (3700W)**	6/9"/12" tri-ring (3000W)	6/9" PowerBoil (3000W)	6/9" PowerBoil (3000W)	9/12" dual element (2700W)
Front left element	5/8" dual element (2200W)	5/8" dual element (1900W)	7" (2500W)**	5/8" dual element (2200W)	7" (1800W)	7" (2500W)**	6" (1200W)	5/8" dual element (1900W)	7" (1800W)	6" (1200W)
Rear right element	6" warming zone (120W)	6" with Melt setting (1200W)	6" (1800W)**	6" warming zone (120W)	6" warming zone (120W)		6" (1200W)	6" with Melt setting (1200W)	6" with Melt setting (1200W)	6" with Melt setting (1200W)
Rear left element	6" with Melt setting (1200W)	6" with Melt setting (1200W)	7" (2500W)**	6" (1200W)	7" (1800W)	7" (2500W)**	5/8" PowerBoil (2400W)	6" with Melt setting (1200W)	7" (1800W)	8" PowerBoil (2500W)
Center element	6/9"/12" tri-ring (3000W)	6" with Melt setting (1200W)	11" (3700W)**	6/9"/12" tri-ring (3000W)	6/9"/12" tri-ring (3000W)	6" (1800W)**		6" with Melt setting (1200W)		
Bridge element					800W (4400W Total)				800W (4400W Total)	
<b>Appearance - Stainless steel</b>										
Color appearance*	SS	SS	SS	SS	SS	SS	SS	SS	SS	SS
Cooktop surface	Ceramic-glass	Ceramic-glass	Ceramic-glass	Ceramic-glass	Ceramic-glass	Ceramic-glass	Ceramic-glass	Ceramic-glass	Ceramic-glass	Ceramic-glass
Cooktop color	Patterned black	Patterned black	Patterned black	Patterned black	Patterned black	Patterned black	Patterned black	Patterned black	Patterned black	Patterned black
Cooktop frame	Stainless steel	Stainless steel	Stainless steel	Stainless steel	Stainless steel	Stainless steel	Stainless steel	Stainless steel	Stainless steel	Stainless steel
Knob color	Heavy-duty cast, stainless steel appearance	Heavy-duty cast, stainless steel appearance			Heavy-duty cast, stainless steel appearance			Stainless steel appearance	Stainless steel appearance	Stainless steel appearance
<b>Appearance - Color</b>										
Color appearance*			BB	BB	BB/WW	BB	BB/WW	BB/TW	BB	BB/CC/WW
Cooktop surface			Ceramic-glass	Ceramic-glass	Ceramic-glass	Ceramic-glass	Ceramic-glass	Ceramic-glass	Ceramic-glass	Ceramic-glass
Cooktop color			Pattern black	Pattern black	Pattern black, True white	Pattern black	Pattern black, Pattern white	Pattern black, True white	Pattern black	Pattern black, True bisque, True white
Knob color					Color-matched plastic			Color-matched plastic	Black plastic	Color-matched plastic
<b>Weights &amp; Dimensions</b>										
Approx. shipping wt. (lbs.)	54	38	54	54	44	46	41	38	38	38
Net wt. (lbs.)	49	33	49	49	39	41	36	33	33	33
Cabinet width compatibility (inches)	36	30	36	36	36	30	30	30	30	30
Overall dimensions stainless models WxHxD (inches)	36-1/8 x 3-1/4 x 21	29-7/8 x 3-1/4 x 21-1/2	36-1/8 x 3-1/4 x 21	36-1/8 x 3-1/4 x 21	36-1/8 x 3-1/4 x 21	29-7/8 x 3-1/4 x 21-1/2	29-7/8 x 3-1/4 x 21-1/2	29-7/8 x 3-1/4 x 21-1/2	29-7/8 x 3-1/4 x 21-1/2	29-7/8 x 3-1/4 x 21-1/2
Overall dimensions colored models WxHxD (inches)			36 x 3-1/4 x 20-7/8	36 x 3-1/4 x 20-7/8	36 x 3-1/4 x 20-7/8	29-3/4 x 3-1/4 x 21-3/8	29-3/4 x 3-1/4 x 21-3/8	29-3/4 x 3-1/4 x 21-3/8	29-3/4 x 3-1/4 x 21-3/8	29-3/4 x 3-1/4 x 21-3/8
Cutout Dimensions - WxD (inches)	33-7/8 x 19-1/8	28-1/2 x 19-5/8	33-7/8 x 19-1/8	33-7/8 x 19-1/8	33-7/8 x 19-1/8	28-1/2 x 19-5/8	28-1/2 x 19-5/8	28-1/2 x 19-5/8	28-1/2 x 19-5/8	28-1/2 x 19-5/8
<b>Power/Ratings</b>										
KW rating @ 240V	8.9	8.5	11.6	8.9	9.4	7.4	7.8	8.5	8.6	7.6
208V	6.7	6.4	8.7	6.7	7.1	5.6	5.9	6.4	6.5	5.7
Amps @ 240V	40	40	50	40	40	40	40	40	40	40
208V	40	40	50	40	40	40	40	40	40	30
<b>Optional Accessories</b>										
Filter trim kit		JXTR32B				JXTR32B	JXTR32B JXTR32W	JXTR32B JXTR32W	JXTR32B	JXTR32B, JXTR32C, JXTR32W

\*SS = Stainless steel, WW = White on white, CC = Bisque on bisque, BB = Black on black. \*\*Highest wattage available using power share. Consult use and care manual for more information on power share.

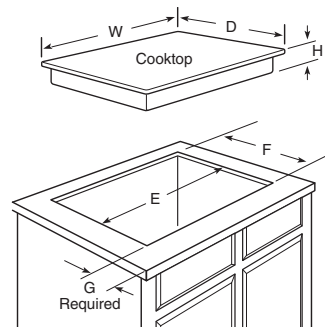
## Color cooktop dimensions (in inches)

Model	Overall			Cutout		To edge of front counter (min.)
	W	D	H	E	F	G
PHP960DM	36	20-7/8	3-1/4*	33-7/8	19-1/8	2-1/2**
PP975BM	36	20-7/8	3-1/4*	33-7/8	19-1/8	2-1/2**
PP962TM/BM	36	20-7/8	3-1/4*	33-7/8	19-1/8	2-1/2**
PHP900DM	29-3/4	21-3/8	3-1/4*	28-1/2	19-5/8	2-1/2**
PP945WM/BM	29-3/4	21-3/8	3-1/4*	28-1/2	19-5/8	2-1/2**
PP944TT/DT	29-3/4	21-3/8	3-1/4*	28-1/2	19-5/8	2-1/2**
PP932BM	29-3/4	21-3/8	3-1/4*	28-1/2	19-5/8	2-1/2**
PP912TM/KM/BM	29-3/4	21-3/8	3-1/4*	28-1/2	19-5/8	2-1/2**
JP356WM/BM	29-3/4	21-3/8	3-1/4*	28-1/2	19-5/8	2-1/2**

\*Depth of unit at conduit connection location (rear) is 6-1/4" on models PP975/945 and 4-5/8" on models PHP960/900, PP944/962/932/912 and JP356/346/340.

\*\*Raised bullnose countertops may require up to 3/8" additional clearance to prevent interference with curved front.

Above illustrations intended for dimensional reference only. Refer to photography for actual product appearance.



See page 195 for warranty information.

# Built-in CleanDesign™ cooktops (continued)

	GE®		
	JP356SM JP356WM JP356BM	JP256WM JP256BM	
ADA-compliant	●		
<b>Features &amp; Controls</b>			
Element type	Ribbon	Ribbon	
Number of elements	4	2	
Control type	Knob (Infinite switch)	Knob (Infinite switch)	
Control location	Right	Front right	
Control lock	No	No	
Knob cleaning	Dishwasher-safe	Dishwasher-safe	
Hot surface indicator qty. location	1, front	1, front right	
Cooktop "On" indicators, location	1, front	1, front right	
<b>Element Configuration</b>			
Front right element	9"12" dual element (2700W)	6" with simmer setting (1200W)	
Front left element	6" with simmer setting (1200W)	6"9" dual element (2500W)	
Rear right element	6" with simmer setting (1200W)		
Rear left element	8" PowerBoil™ (2500W)		
<b>Appearance</b>			
Color appearance*	SS WW BB	WW BB	
Cooktop surface	Ceramic-glass Patterned black Patterned black Patterned white	Ceramic-glass Patterned black Patterned white	
Cooktop color	Stainless steel appearance, Color-matched plastic	Color-matched plastic	
Knob color			
<b>Weights &amp; Dimensions</b>			
Approx. shipping wt. (lbs.)	38	20	
Net weight (lbs.)	33	17	
Cabinet width compatibility (inches)	30		
Overall dimensions WxHxD (inches)	29-7/8 x 3-1/4 x 21-1/2	21-1/2 x 3-1/4 x 17-1/8	
Cutout dimensions - WxD (inches)	28-1/2 x 19-5/8	20-1/8 x 16-1/8	
<b>Power/Ratings</b>			
KW rating @	240V	6.7	3.7
	208V	5.7	3.2
Amps @	240V	40	20
	208V	40	20
<b>Optional Accessories</b>			
Filler trim kit	JXTR32B, JXYR32W		

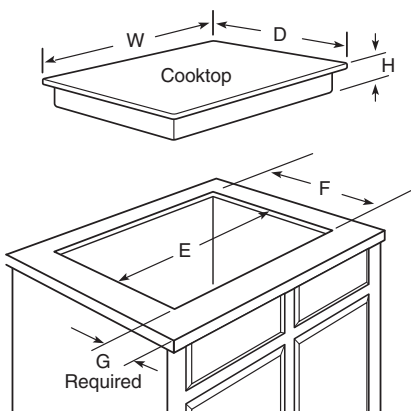
\*SS = Stainless steel, WW = White on white, BB = Black on black.

## Stainless steel cooktop dimensions (in inches)

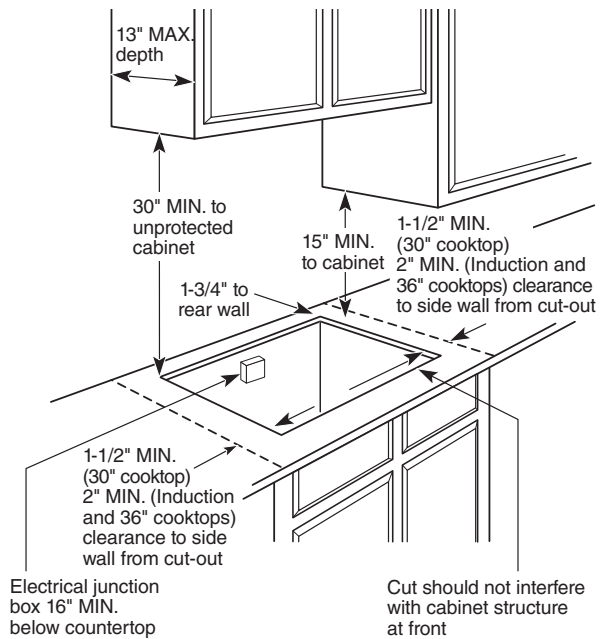
Model	Overall			Cutout		To edge of front counter (min.)
	W	D	H	E	F	G
CP650	36-1/8	21	3-1/4*	33-7/8	19-1/8	2-1/2**
CP350	29-7/8	21-1/2	3-1/4*	28-1/2	19-5/8	2-1/2**
PHP960SM	36-1/8	21	3-1/4*	33-7/8	19-1/8	2-1/2**
PP975SM	36-1/8	21	3-1/4*	33-7/8	19-1/8	2-1/2**
PP962SM	36-1/8	21	3-1/4*	33-7/8	19-1/8	2-1/2**
PHP900SM	29-7/8	21-1/2	3-1/4*	28-1/2	19-5/8	2-1/2**
PP945SM	29-7/8	21-1/2	3-1/4*	28-1/2	19-5/8	2-1/2**
PP944ST	29-7/8	21-1/2	3-1/4*	28-1/2	19-5/8	2-1/2**
PP932SM	29-7/8	21-1/2	3-1/4*	28-1/2	19-5/8	2-1/2**
PP912SM	29-7/8	21-1/2	3-1/4*	28-1/2	19-5/8	2-1/2**
JP356SM	29-7/8	21-1/2	3-1/4*	28-1/2	19-5/8	2-1/2**

\*Depth of unit at conduit connection location (rear) is 6-1/4" on models PP975/945 and 4-5/8" on models PHP960/900, CP350/650, PP944/962/932/912 and JP356/346.

\*\*Raised bullnose countertops may require up to 3/8" additional clearance to prevent interference with curved front.



## Counter installation dimensions (in inches)



## Built-in CleanDesign cooktops

Requires a 5" free area between the bottom of the cooktop to any combustible material, i.e., shelving. Free area not required when installing wall oven underneath cooktop. Refer to installation instructions. Units are furnished with a 48" flexible armored cable.

36" ribbon cooktops are approved for use over GE 30" single wall ovens and warming drawers. 30" ribbon cooktops are approved for use over GE 30" and 27" single wall ovens and warming drawers. Refer to cooktop and wall oven installation instructions packed with product for current dimensional data.

## Built-in induction cooktops

Requires a 12" min. free area between the bottom of the cooktop to any combustible material, i.e., shelving. Free area not required when installing wall oven underneath cooktop. Refer to installation instructions. Units are furnished with a 36" flexible armored cable.

30" and 36" induction cooktops are approved for use over GE, GE Profile™ and GE Monogram® 30" and 27" single wall ovens\*. Refer to cooktop and wall oven installation instructions packed with product for current dimensional data.

**Notes:** If installing with a 36" GE Profile or GE Monogram telescopic downdraft system, consult both cooktop and downdraft installation instructions packed with product before installing. Cooktop gas/electric supply may need to be re-routed to install downdraft.

The countertop must be at least 26" deep with a flat surface area of 23-1/2" or more, front to back. Stainless CleanDesign and gas-on-glass cooktops require 23-5/8" flat surface area. In addition, other clearances to the front edge of the countertop must be considered.

**Note:** Consult cabinet and countertop manufacturers' specs for flush mount installation prior to install.

## Filler trim kit

When replacing an old GE 30" cooktop (with larger opening) with new 30" models, use the following one-piece trim kit to fill in the over-size hole. Available at additional cost.

JXTR32W (True White)<sup>†</sup>  
JXTR32C (True Bisque)<sup>†</sup>  
JXTR32B (Black)

## Installation information:

Before installing, consult installation instructions packed with product for current dimensional data.

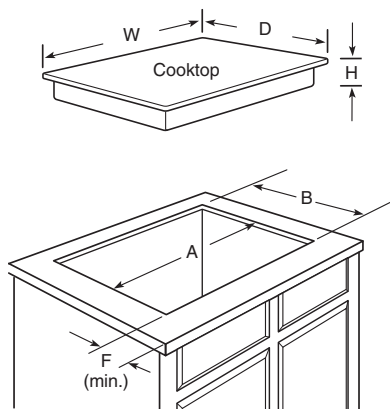
<sup>†</sup>Excluding induction cooktops

# Built-in electric cooktops

	GE				
	JP626WK JP626BK	JP328SK JP328WK JP328CK JP328BK	JP201CB	JP202D	
<b>Features &amp; Controls</b>					
Element type	Coil	Coil	Coil	Coil	
Number of elements	4	4	2	2	
Control type	Knob (infinite switch)	Knob (infinite switch)	Knob (infinite switch)	Knob (infinite switch)	
Control location	Front center	Front center	Front center	Front center	
Control lock	No	No	No	No	
Knob cleaning	Dishwasher-safe	Dishwasher-safe	Dishwasher-safe	Dishwasher-safe	
Cooktop cleaning	Lift-up with support rod	Lift-up with support rod			
Cooktop "On" indicators, location	1, front center	1, front center	1, front center	1, front center	
Drip bowls	Removable chrome one-piece	Removable chrome one-piece	Removable chrome one-piece	Removable chrome one-piece	
<b>Element Configuration</b>					
Front right element	8" (2400W)	8" (2400W)	8" (2100W)	8" (2100W)	
Front left element	6" (1300W)	6" (1300W)	6" (1250W)	6" (1250W)	
Rear right element	6" (1300W)	6" (1300W)			
Rear left element	8" (2400W)	8" (2400W)			
<b>Appearance</b>					
Color appearance*	WW BB	SS WW CC BB	SS	WW	
Cooktop surface	Drawn steel	Drawn steel	Drawn steel	Drawn steel	
Cooktop color	Color-matched porcelain enamel	Stainless steel, Color-matched porcelain enamel	Stainless steel	White porcelain enamel	
Knob color	Color-matched plastic	Stainless steel look, Color-matched plastic	Black plastic	White plastic	
<b>Weights &amp; Dimensions</b>					
Approx. shipping wt. (lbs.)	38	32	18	18	
Net weight (lbs.)	35	27	13	13	
Cabinet width compatibility (inches)	36	30			
Overall dimensions (ins.)	35-1/2 x 3-1/4 x 21	30-1/4 x 3-1/4 x 21-1/4	21-1/4 x 3-1/4 x 16-6/8	21-1/4 x 3-1/4 x 16-6/8	
Cutout width dimensions WxD (ins.)	33-7/8 x 19-1/8	28-1/2 x 19-1/2	20-1/8 x 16-1/8	20-1/8 x 16-1/8	
<b>Power/Ratings</b>					
KW rating @	240V	7.4	7.4	3.4	3.4
	208V	5.6	5.6	2.5	2.5
Amps @	240V	40	40	20	20
	208V	30	30	20	20
<b>Optional Accessories</b>					
Filler trim kit		JXTR32B, JXTR32C, JXTR32W			

\*SS = Stainless steel, WW = White on white, CC = Bisque on bisque, BB = Black on black.

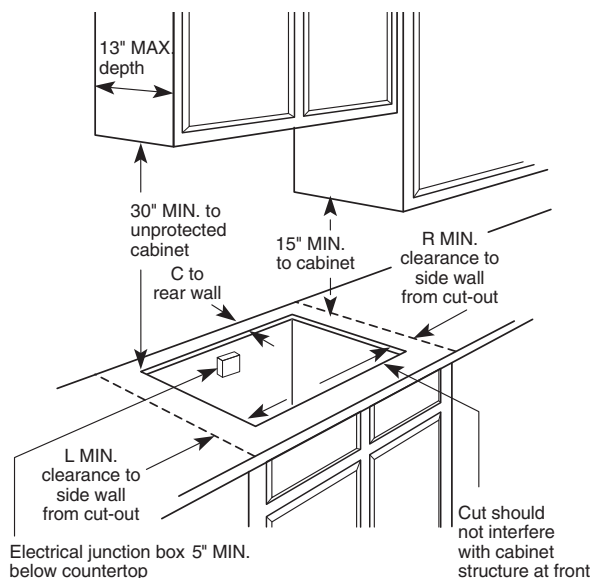
## Cooktop dimensions (in inches)



Model	Overall			Cutout		Minimum spacing to nearest combustible wall				To edge of front counter (min.)
	W	D	H	A	B	C	R	L	F	
JP626	35-1/2	21	3-1/4	33-7/8	19-1/8	2-1/2	3-3/4	3-3/4	2-1/2	
JP328	30-1/4	21-1/4	3-1/4	28-1/2	19-1/2	1-3/4	2	5-1/2	2-1/2	
JP256	21-1/2	17-1/8	3-1/4	20-1/8	16-1/8	2	1-3/4	1-3/4	2-3/4	
JP202	21-1/4	16-5/8	3-1/4	20-1/8	16-1/8	2	2	2	2-3/4	
JP201	21-1/4	16-5/8	3-1/4	20-1/8	16-1/8	2	2	2	2-3/4	

Above illustrations intended for dimensional reference only. Refer to photography for actual product appearance.

## Counter installation dimensions (in inches)



## Built-in electric cooktops

Required free area between the bottom of the cooktop and any combustible material, i.e., shelving, is 5" minimum on models JP626/328 and 1-1/2" minimum on models JP201/202.

Free area not required when installing wall oven underneath. Requires an 18" minimum from cooktop to adjacent overhead cabinets. Units are furnished with a 48" flexible armored cable.

Cooktop model JP328 is approved for use over select GE 27" or 30" single wall ovens. JP626 is approved for use over GE 30" single wall ovens only. Refer to cooktop and wall oven installation instructions packed with product for current dimensional data.

Cooktop models JP256, JP201CB and JP202D are approved for use over GE undersink dishwasher model GSM2100. Refer to cooktop installation instructions packed with product for current dimensional data.

**Note:** JP328 cooktop cannot be installed in countertops that cannot accept screws, such as granite or marble, etc.

**Note:** JP626 may be installed with a GE Profile telescopic downdraft system. Consult both cooktop and downdraft installation instructions packed with product before installing. Cooktop gas/electric supply may need to be re-routed to install downdraft.

**Note:** The countertop must be at least 26" deep with a flat surface area of 23-1/2" or more, front to back. In addition, other clearances to the front edge of the countertop must be considered.

**Filler trim kit**—When replacing an old GE 30" cooktop (with larger opening) with models JP328WF, JP328CF, JP328BF, JP328SF, use the following one-piece trim kits to fill in the over-size hole. Available at additional cost.  
 JXTR32W (White)  
 JXTR32C (Bisque)  
 JXTR32B (Black)

**Installation information:**  
 Before installing, consult installation instructions packed with product for current dimensional data.

Refrigeration  
Cooking products  
Microwave ovens  
Dishwashers  
Clothes care  
Water heaters  
Air conditioning

# Built-in gas cooktops

	GE Café™		GE Profile™							
	CGP650SET	CGP350SET	PGP986SET	PGP976SET PGP976DET	JGP970SEK JGP970TEK JGP970BEK	PGP966SET PGP966DET	PGP959SET	PGP953SET PGP953DET	JGP940SEK JGP940TEK JGP940BEK	PGP943SET PGP943DET
ADA-compliant					●	●			●	●
<b>Features &amp; Controls</b>										
Width	36"	30"	36"	36"	36"	36"	30"	30"	30"	30"
Number of burners	5	5	5	5	5	5	5	5	4	4
Control location	Front center	Front center	Front center	Front center	Front center	Front center	Front center	Front center	Right side	Right side
Control lock	●	●	●	●	●	●	●	●	●	●
Heavy-duty knobs	●	●	●	●	●	●	●	●	●	●
Backlit knobs	Blue LED	Blue LED	White LED	White LED	SS model only	SS model only	White LED	White LED	SS model only	SS model only
Knob cleaning	Dishwasher-safe	Dishwasher-safe	Dishwasher-safe	Dishwasher-safe	Dishwasher-safe	Dishwasher-safe	Dishwasher-safe	Dishwasher-safe	Dishwasher-safe	Dishwasher-safe
<b>Burner Configuration**</b>										
Burner type	Sealed	Sealed	Sealed	Sealed	Sealed	Sealed	Sealed	Sealed	Sealed	Sealed
Ignition type	Electronic pilotless	Electronic pilotless	Electronic pilotless	Electronic pilotless	Electronic pilotless	Electronic pilotless	Electronic pilotless	Electronic pilotless	Electronic pilotless	Electronic pilotless
Front right BTUs (natural gas/ LP gas)	11,000/10,000 High-output	9,100/9,100 All-purpose	11,000/10,000 High-output	11,000/10,000 High-output	15,000/13,000 PowerBoil™	15,000/13,000 PowerBoil	9,100/9,100 All-purpose	9,100/9,100 All-purpose	15,000/13,000 PowerBoil	15,000/13,000 PowerBoil
Front left BTUs (NG/LPG)	9,100/9,100 All-purpose	9,100/9,100 All-purpose	9,100/9,100 All-purpose	9,100/9,100 All-purpose	11,000/9,100 All-purpose	11,000/10,000 All-purpose	9,100/9,100 All-purpose	9,100/9,100 All-purpose	11,000/9,100 All-purpose	9,500/9,100 All-purpose
Rear right BTUs (NG/LPG)	5,000/5,000 Precise Simmer	5,000/5,000 Precise Simmer	5,000/5,000 Precise Simmer	5,000/5,000 Precise Simmer	6,000/6,000 Precise Simmer	5,000/5,000 Precise Simmer	5,000/5,000 Precise Simmer	5,000/5,000 Precise Simmer	6,000/6,000 Precise Simmer	5,000/5,000 Precise Simmer
Rear left BTUs (NG/LPG)	9,100/9,100 All-purpose	5,000/5,000 Precise Simmer	9,100/9,100 All-purpose	9,100/9,100 All-purpose	9,100/8,100 All-purpose	9,500/9,100 All-purpose	5,000/5,000 Precise Simmer	5,000/5,000 Precise Simmer	9,100/9,100 All-purpose	11,000/10,000 All-purpose
Center BTUs (NG/LPG)	20,000/15,000 Tri-ring	20,000/15,000 Tri-ring	20,000/15,000 Tri-ring	17,000/14,000 PowerBoil	6,000/6,000 Precise Simmer	5,000/5,000 Precise Simmer	20,000/15,000 Tri-ring	15,000/13,000 PowerBoil		
<b>Grates</b>										
Number of grates	3	3	3	3	3	3	3	3	2	2
Grate construction	Matte black, heavy-cast	Matte black, heavy-cast	Matte black, heavy-cast	Matte black, heavy-cast	Matte black, heavy-cast	Matte black, heavy-cast	Matte black, heavy-cast	Matte black, heavy-cast	Matte black, heavy-cast	Matte black, heavy-cast
Grate configuration	Continuous	Continuous	Continuous	Continuous	Continuous	Continuous	Continuous	Continuous	Continuous	Continuous
Included griddle	Integrated cast-iron	Integrated cast-iron	Integrated cast-iron				Integrated cast-iron			
<b>Appearance</b>										
Color appearance*	SS	SS	SS	SS	SS WW BB	SS WW BB	SS	SS	SS WW BB	SS WW BB
Cooktop surface	Deep drawn steel	Deep drawn steel	Deep drawn steel	Deep drawn steel	Ceramic-glass	Ceramic-glass	Deep drawn steel	Deep drawn steel	Ceramic-glass	Deep drawn steel
Cooktop color	Stainless steel	Stainless steel	Stainless steel	Stainless steel	Stainless steel Color-matched porcelain enamel	Black True white Black	Stainless steel Color-matched porcelain enamel	Stainless steel	Stainless steel Color-matched porcelain enamel	Black True white Black
Knob color	Stainless steel appearance	Stainless steel appearance	Stainless steel appearance	Stainless steel appearance	Stainless steel appearance Color-matched plastic	Stainless steel appearance Color-matched plastic	Stainless steel appearance Color-matched plastic	Stainless steel appearance	Stainless steel appearance Color-matched plastic	Stainless steel appearance Color-matched plastic
<b>Weights &amp; Dimensions</b>										
Approx. shipping wt. (lbs.)	54	44	54	54	59	54	44	44	49	44
Net weight (lbs.)	49	39	49	49	54	49	39	39	44	39
Cabinet width compatibility (in.)	36	30	36	36	36	36	30	30	30	30
Overall dimensions -WxHxD (in.)	36 x 21 x 3-1/4	30 x 21 x 3-1/4	36 x 21 x 3-1/4	36 x 21 x 3-1/4	36 x 21-1/4 x 3-3/16	36 x 21 x 3-1/4	30 x 21 x 3-1/4	30 x 21 x 3-1/4	30 x 21-1/4 x 3-3/16	30 x 21 x 3-3/16
Cutout dimensions -WxHxD (in.)	33-7/8 x 19-1/8	28-1/2 x 19-5/8	33-7/8 x 19-1/8	33-7/8 x 19-1/8	33-7/8 x 19-1/8	33-7/8 x 19-1/8	28-1/2 x 19-5/8	28-1/2 x 19-5/8	28-1/2 x 19-5/8	28-1/2 x 19-5/8
<b>Power/Ratings</b>										
Amp Rating @ 120V, 60Hz	5	5	5	5	5	5	5	5	5	5

\*SS = Stainless steel, WW = White on white, BB = Black on black.

\*\*A set of LP orifices is included with each cooktop for LP conversion. Factory set for natural gas.

## Dimensions (in inches)

Model	Overall			Cutout		Minimum spacing to nearest combustible wall			To edge of front counter	
	W	D	H*	A	B	C	L	R	F	
CGP650	36	21	3-1/4	33-7/8	19-1/8	3-3/8	12	12	2-1/2	
CGP350	30	21	3-1/4	28-1/2	19-5/8	2-7/8	12	12	2-1/2	
PGP986	36	21	3-1/4	33-7/8	19-1/8	3-3/8	12	12	2-1/2	
PGP976	36	21	3-1/4	33-7/8	19-1/8	2-1/4	3-3/4	6	2-1/2	
JGP970	36	21	3-3/16	33-7/8	19-1/8	2-1/4	3-3/4	6	2-1/2**	
PGP966	36	21	3-1/4	33-7/8	19-1/8	2-1/4	3-3/4	6	2-1/2	
PGP959	30	21	3-1/4	28-1/2	19-5/8	2-7/8	12	12	2-1/2	
PGP953	30	21	3-1/4	28-1/2	19-5/8	2-1/4	3-3/4	6	2-1/2	
JGP940	30	21	3-3/16	28-1/2	19-5/8	2-1/4	3-3/4	6	2-1/2**	
PGP943	30	21	3-3/16	28-1/2	19-5/8	2-1/4	3-3/4	6	2-1/2	
JGP633	36	21	3-3/16	33-7/8	19-1/8	2-1/4	3-3/4	6	2-1/2	
JGP333	30	21	3-3/16	28-1/2	19-5/8	2-1/4	3-3/4	6	2-1/2	
JGP329	30	21	3-3/16	28-1/2	19-5/8	2-1/4	3-3/4	6	2-1/2	

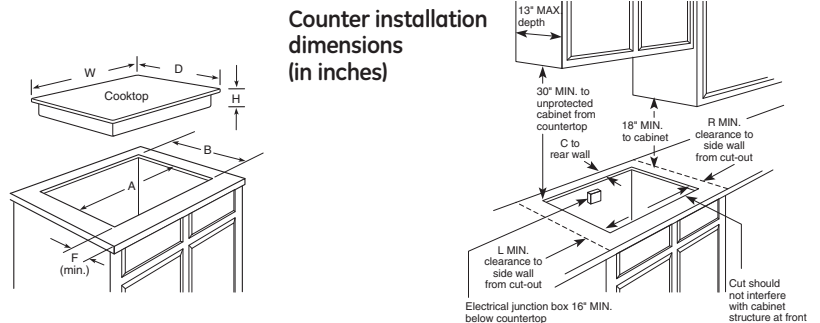
\*Allow 5-3/4" depth at rear for electrical and gas connections.

\*\*Raised bullnose countertops may require up to 3/8" additional clearance to prevent interference with curved front.

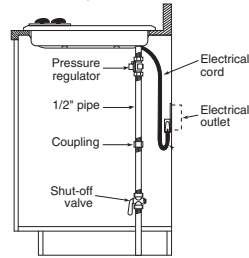
**Installation information:** Before installing, consult installation instructions packed with product for current dimensional data.

**Above illustrations intended for dimensional reference only. Refer to photography for actual product appearance.**

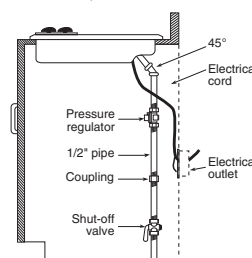
## Counter installation dimensions (in inches)



## Gas connection Models CGP650, PGP986/976/966, JGP970/633



## Gas connection Models CGP350, PGP959/953/943, JGP940/333/329



**Installation with single wall oven information:** Select 30" gas cooktops are approved for use over GE 27" wall ovens and warming drawers. CGP350, PGP959 and PGP953 are not approved for installation above GE 27" wall ovens. 36" and 30" gas cooktops are approved for use over 30" wall ovens and warming drawers. Refer to cooktop and wall oven installation instructions packed with product for current dimensional data.

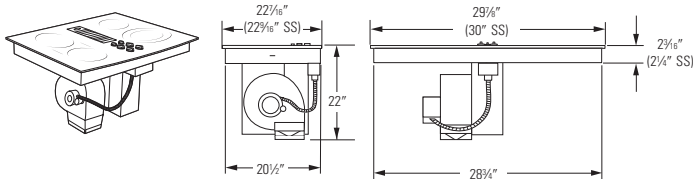


## Built-in gas cooktops

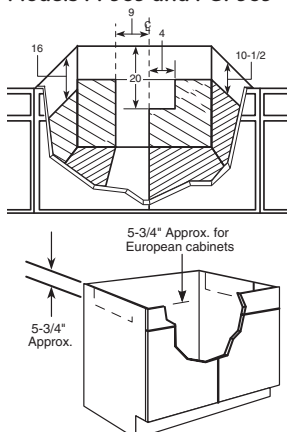
	GE®		
	JGP633SET JGP633DET	JGP333SET JGP3330ET	JGP329SET JGP329DET
ADA-compliant		●	
<b>Features &amp; Controls</b>			
Width (in inches)	36	30	30
Number of burners	5	4	4
Control location	Front center	Right side	Right side
Heavy-duty knobs	●		●
Knob & grate cleaning	Dishwasher-safe	Dishwasher-safe	Dishwasher-safe
<b>Burner Configuration**</b>			
Burner type	Sealed	Sealed	Sealed
Ignition type	Electronic pilotless	Electronic pilotless	Electronic pilotless
Front right BTUs (Natural Gas/LP Gas)	11,000/10,000 High-output	15,000/13,000 PowerBoil	11,000/10,000 High-output
Front left BTUs (NG/LPG)	9,500/9,500 All-purpose	9,500/9,500 All-purpose	9,500/9,500 All-purpose
Rear right BTUs (NG/LPG)	5,000/5,000 Precise Simmer	5,000/5,000 Precise Simmer	5,000/5,000 Precise Simmer
Rear left BTUs (NG/LPG)	9,500/9,500 All-purpose	11,000/10,000 All-purpose	9,500/9,500 All-purpose
Center BTUs (NG/LPG)	Precise Simmer		
<b>Grates</b>			
Number of grates	3	2	2
Grate construction	Matte black, medium-cast	Matte black, medium-cast	Matte black, medium-cast
Grate configuration	Continuous	Continuous	Continuous
<b>Appearance</b>			
Color appearance*	SS WW/BB	SS BB WW	SS WW/BB
Cooktop surface	Deep drawn steel	Deep drawn steel	Deep drawn steel
Cooktop color	Stainless steel Color-matched porc. enamel	Stainless steel Color-matched porc. enamel	Stainless steel Color-matched porc. enamel
Knob color	Stainless steel appearance Color-matched plastic	Stainless steel appearance Color-matched plastic	Stainless steel appearance Color-matched plastic
<b>Weights &amp; Dimensions</b>			
Approx. shipping wt. (lbs.)	53	46	46
Net weight (lbs.)	48	41	41
Cabinet width compatibility (in.)	36	30	30
Overall dimensions - WxHxD (in.)	36 x 21 x 3-3/16	30 x 21 x 3-3/16	30 x 21 x 3-3/16
Cutout dimensions - WxHxD (in.)	33-7/8 x 19-1/8	28-1/2 x 19-5/8	28-1/2 x 19-5/8
<b>Power/Ratings</b>			
Amp Rating @ 120V/60Hz	5	5	5

\*SS = Stainless steel, WW = White on white, BB = Black on black.  
\*\*A set of LP orifices is included with each cooktop for LP conversion. Factory set for natural gas.

## Built-in electric downdraft cooktops dimensions (in inches) Model PP989



## Built-in electric and gas cabinet dimensions (in inches) Models PP989 and PGP989



**Receptacle location**  
Install an approved junction box within shaded area shown in diagram. Junction box must be at least 10-1/2" below top of cabinet.

**Preparing the cabinet for installation**  
In some cabinets, the sides may need to be scooped or cut down 5-3/4" as shown and the corner braces removed in order to accommodate the cooktop.

Above illustrations intended for dimensional reference only. Refer to photography for actual product appearance.

## Built-in electric downdraft cooktop

	GE Profile
	PP989SN PP989TN PP989DN
<b>Features &amp; Controls</b>	
Element type	Ribbon
Number of elements	4
Control type	Knob (infinite switch)
Control location	Front center
Control lock	Yes
Knob cleaning	Dishwasher-safe
Hot surface indicator qty., location	4, front center
Cooktop "On" indicators, location	1, front center
<b>Element Configuration</b>	
Front right element	6"/9" PowerBoil (3000W)
Front left element	7" (1800W)
Rear right element	6" (1500W)
Rear left element	7" (1800W)
Bridge element	800W (4400W total)
<b>Appearance</b>	
Color appearance*	SS WW BB
Cooktop surface	Ceramic-glass Pattern black Pattern white Pattern black
Cooktop color	Stainless steel
Cooktop frame	Stainless steel appearance Color-matched plastic
Knob color	Color-matched plastic
<b>Weights &amp; Dimensions</b>	
Approx. shipping wt. (lbs.)	60
Net weight (lbs.)	45
Cabinet width compatibility (in.)	30
Overall dimensions (WxD in inches)	30 x 22 (2-1/4 cooktop) x 22-9/16
Cutout dimensions (WxD in inches)	28-7/8 x 20-5/8
<b>Power/Ratings</b>	
KW rating @	240V: 9.1 208V: 6.9
Amps @	240V: 40 208V: 40
<b>Optional Accessories</b>	
Cord kit	JXCK89

\*SS = Stainless steel, WW = White on white, BB = Black on black.



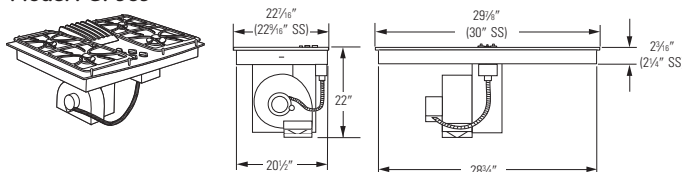
## Built-in gas downdraft cooktop

	GE Profile
	PGP989SN PGP989TN PGP989DN
<b>Features &amp; Controls</b>	
ADA-compliant	●
Width	30"
Number of burners	4
Control location	Front center
Knob & grate cleaning	Dishwasher-safe
<b>Burner Configuration**</b>	
Burner type	Sealed
Ignition type	Electronic pilotless
Front right BTUs (Natural Gas/LP Gas)	11,500/11,000 All-purpose
Front left BTUs (NG/LPG)	9,100/8,500 All-purpose
Rear right BTUs (NG/LPG)	5,500/5,500 All-purpose
Rear left BTUs (NG/LPG)	9,100/8,500 All-purpose
<b>Grates</b>	
Number of grates	2
Grate construction	Medium-cast black Medium-cast gray Medium-cast black
Grate configuration	Separate
<b>Appearance</b>	
Color appearance*	SS WW BB
Cooktop surface	Ceramic-glass
Cooktop color	Black True white Black
Knob color	Color-matched plastic
<b>Weights &amp; Dimensions</b>	
Approx. shipping wt. (lbs.)	75
Net weight (lbs.)	60
Cabinet width compatibility (in.)	30
Overall dimensions (WxHxD in inches)	30 x 22 (2-1/4 cooktop) x 22-9/16
Cutout dimensions (WxD in inches)	28-7/8 x 20-5/8
<b>Power/Ratings</b>	
Voltage	120V

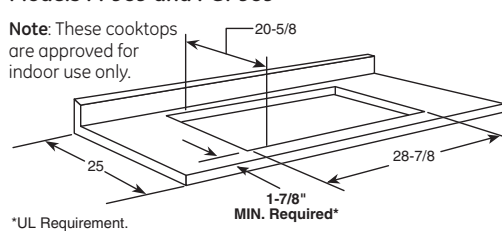
\*SS = Stainless steel, WW = White on white, BB = Black on black.  
\*\*A set of LP orifices is included with each cooktop for LP conversion. Factory set for natural gas.



## Built-in gas downdraft cooktops dimensions (in inches) Model PGP989



## Built-in electric and gas cutout dimensions (in inches) Models PP989 and PGP989



**Note:** A 5" minimum spacing to adjacent side wall is required on PGP989. A 6" minimum spacing to adjacent side wall is required on PP989.

**Note:** JXCK89 cord kit needed for the installation of model PP989.

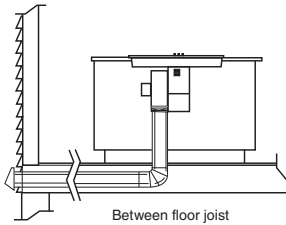
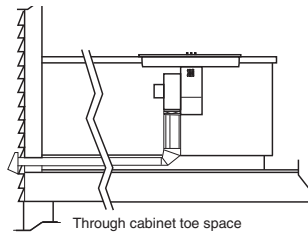
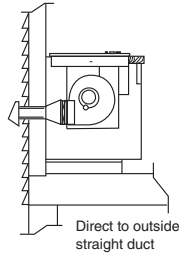
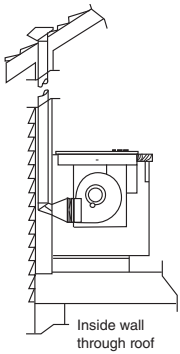
**Note:** Gas and electric coil cooktops cannot be installed over the PT925 due to the top of the oven preventing the gas cooktop from fitting into place.

**Note:** All gas cooktop models require 7/16" free area below cooktop height to combustible material. Require 18" minimum from countertop to adjacent overhead cabinets.\*  
\*AGA requirement.

**Note:** If installing with a GE Profile telescopic downdraft system, consult both cooktop and downdraft installation instructions packed with product before installing. Cooktop gas/ electric supply may need to be re-routed to install downdraft.

## Built-in electric and gas downdraft cooktops (continued)

### Built-in electric and gas downdraft cooktop venting options Models PP989 and PGP989



#### Wall installation

Wall installations require 25" countertop depth. When cabinet is flush against the wall, the fan housing can be rotated to the horizontal position for direct venting through rear wall. Make a countertop cutout in the range cabinet according to unit dimensions and installation type. Duct hole is positioned in back of cabinet for through-the-wall ducting. Requires special offset adapter JXRW89.

#### Peninsula or island installation

For peninsula/islands, a minimum 26" countertop depth is suggested. Blower should be in vertical position. Island or peninsula cabinets may require adjustment in cutout depth and/or location within the width dimensions. Duct hole is positioned in bottom of cabinet for island or peninsula installation.

#### Slab installation

For peninsula or island installation and rear wall ducting, **6" PVC duct or locally approved piping should be used if installing under a poured concrete slab.**

**Note:** Electrical cable is not supplied with unit.

#### JXRW89 rear wall installation kit

Optional accessories may be ordered for installation on rear wall.

#### JXCK89 electrical connection kit

Optional accessory kit for PP989 electric downdraft cooktop only, includes junction box and conduit.

**Installation information:** Before installing, consult installation instructions packed with product for current dimensional data.

#### Installing the ductwork

Use galvanized or aluminum duct in 6" round or 3-1/4" x 10" size, or combination of both. **PVC duct or locally approved piping should be used if installing under a poured concrete slab.** Local building code must be followed in specifying type and schedule of all duct used.

**Note:** Ductwork must be vented to outside. Do not vent into a wall, ceiling, crawlspace, attic or any concealed space. Always use an appropriate roof or wall cap with damper. Laundry-type wall caps should never be used. For maximum efficiency use the shortest and straightest duct run possible, with as few fittings as possible. For satisfactory performance the duct run should not exceed 100 feet equivalent length. Refer to the table of equivalent lengths (shown in installation instructions) for various duct configurations.

## Built-in electric and gas downdraft ventilation

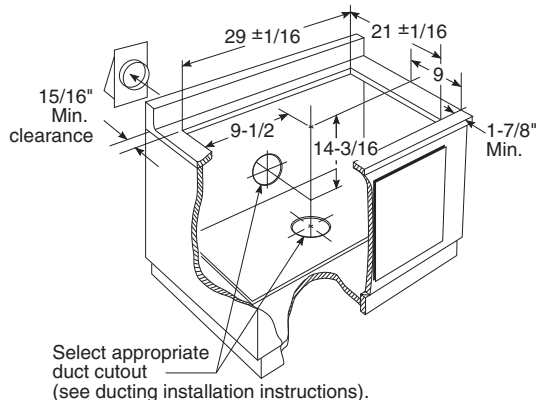
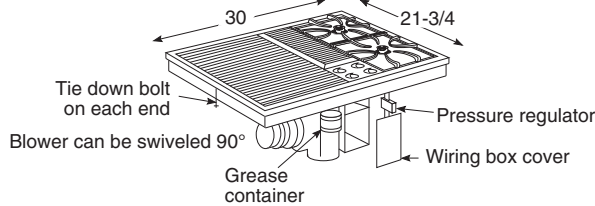
	PP989	PGP989	PGP990
<b>Features</b>			
Number of fan speeds	3	3	3
Number of blowers	1	1	1
CFM/Sones (high speed)	330/7.5	330/7.5	390/6.5
Rectangular duct size (in.)	3-1/4 x 10	3-1/4 x 10	3-1/4 x 10
Round duct diameter (in.)	6	6	6
Maximum equivalent duct length (ft.)	100	100	100
Number of filters	1	1	1
Included grease filter type	Metal mesh	Metal mesh	Metal mesh
Filter cleaning	Soap & water	Soap & water	Soap & water

## Built-in downdraft gas modular cooktop

	GE Profile™ PGP990SEN PGP990DEN
ADA-compliant	●
<b>Features &amp; Controls</b>	
Width (inches)	30
Number of burners	2
Control location	Front Center
Knob & grate cleaning	Dishwasher-safe
<b>Burner Configuration**</b>	
Configuration	Modular
Burner type	Sealed
Ignition type	Electronic pilotless
Front right BTUs (Natural gas/LP gas)	10,000/9,100 All-purpose
Right rear BTUs (Natural gas/LP gas)	10,000/9,100 All-purpose
Left hand side	Module (sold separately)
<b>Grates</b>	
Number of grates	1
Grate construction	Deluxe-cast, matte black
<b>Appearance</b>	
Color appearance*	SS WW BB
Cooktop surface	Drawn steel Stainless steel
Cooktop color	Color-matched porc. enamel Stainless steel appearance Color-matched plastic
Knob color	
<b>Weights &amp; Dimensions</b>	
Approx. shipping wt. (lbs.)	74
Net weight (lbs.)	64
Cabinet width compatibility (in.)	40
Overall dimensions - WxHxD (in.)	30 x 21-3/4 (3/16 cooktop) x 18-1/2
Cutout dimensions - WxHxD (in.)	29-1/16 x 21-1/16
<b>Power/Ratings</b>	
Amp rating @ 120V, 60Hz	15

SS = Stainless steel, WW = White on white, BB = Black on black.  
\*A set of LP orifices is included with each cooktop for LP gas. Factory set for natural gas.  
Note: Shipped with one sealed gas burner module; can be placed in right or left bay. Left side accepts optional modules that must be ordered and are available at additional cost.

### Installation information (in inches)



### Optional modules

(Available at additional cost)

Two-burner gas module (sealed burners)—

JXGB90W—White on white

JXGB90B—Black on black

JXGB90S—Stainless steel

Gas grill module—JXGG90L

Front- and rear- controlled heating element. One-piece grill grate is non-stick coated.

Griddle—JXGL90L

(For use with optional grill module sold separately) Place over heating element and reflector pan for optional grill module. Griddle accessory has a non-stick coating and is self-draining.

**Note:** Left module sold separately



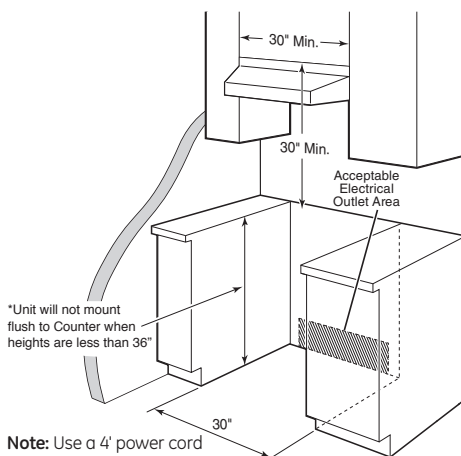
**Installation information:** Before installing, consult installation instructions packed with product for current dimensional data.

Above illustrations intended for dimensional reference only. Refer to photography for actual product appearance.

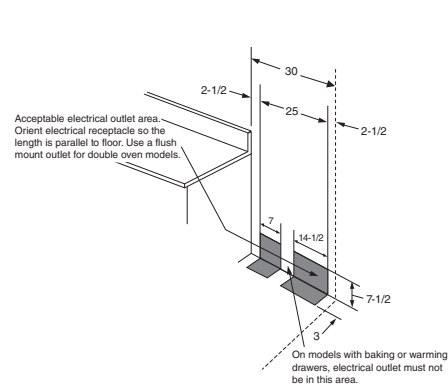
# 30" slide-in induction and double oven electric ranges

	GE Profile	
	PS978ST	PHS925ST
ADA-compliant	●	●
<b>Features</b>		
Induction	●	●
Self-clean oven	●	●
Self-clean latch	Auto	Auto
Oven capacity (cu. ft.) (upper/lower)	Double oven 2.2/4.4	5.3
Hidden bake oven interior	●	●
Oven racks	2 heavy-duty and 1 roller rack	2 heavy-duty and 1 roller rack
Ceramic-glass cooktop	Black	Black
Overhanging cooktop	●	●
6 7/8" PowerBoil™ tri-ring element	1 (3000W)	
11" heating element		1 (3700W)
8" heating element	1 (2000W)	2 (2500W)
5/8" PowerBoil™ element	1 (2000W)	
6" element	1 (1500W)	1 (1800W)
6" warming zone	1 (120W)	1 (100W)
Melt/Simmer	● / -	● / -
Heat controls	Electronic	Electronic
TrueTemp™ oven system	●	●
Broil element	8-pass	6-pass
PreciseAir™ convection system	●	●
Convection Cook	●	●
Auto Recipe™ conversion	●	●
QuickSet oven controls	NextStep	NextStep
Warm mode	●	●
Pizza mode	●	●
Slow cook mode	●	●
Digital temperature display	●	●
Oven function icons	●	●
Delay bake	●	●
Control lock capability	Oven/cooktop	Oven/cooktop
Self-clean cool-down time display	●	●
Light self-clean option	●	●
Delay clean option	●	●
Auto oven shut-off	●	●
Certified Sabbath mode	●	●
Audible preheat signal	●	●
Dual-element bake	●	●
Oven meat probe	●	●
Hot surface lights	5	5
Oven "ON" light	●	●
Self-clean cycle light	Display	Display
Interior oven light	●	●
Warming drawer (140° to 220°)	●	●
<b>Appearance</b>		
Color appearance*	SS	SS
Frameless glass oven door	Stainless steel	Stainless steel
Oven door with window	Big ClearView™	Big ClearView
Drawer handle	Sculptured stainless	Sculptured stainless
Black glass oven interior	●	●
<b>Weights &amp; Dimensions</b>		
Overall oven interior dimensions (WxHxD in inches) upper/lower	Upper: 24 x 8-7/8 x 18 Lower: 24 x 17-1/2 x 18-1/4	24-1/8 x 19-1/2 x 19-3/8
Approx. shipping wt. (lbs.)	247	260
<b>Power/Ratings</b>		
KW rating @ 240V	14.4	12.2
208V	10.8	9.2
Amp rating @ 240V / 208V	40	40
Convection wattage	2500	2500
Broiler wattage	Upper: 3000 Lower: 2650	3800
Bake wattage	Upper: 2650 Lower: 2650	2850

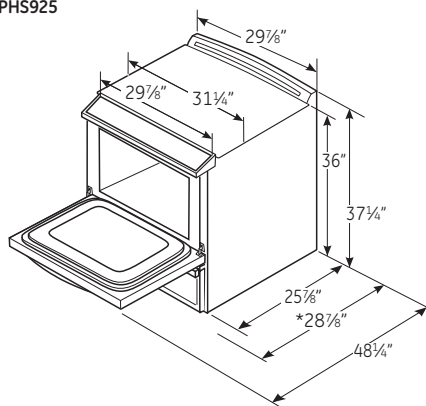
\*SS = Stainless steel with black accents.  
All ranges are shipped with cooktop cleaning creme & pad.



Note: Use a 4' power cord to prevent interference with unit when installing.

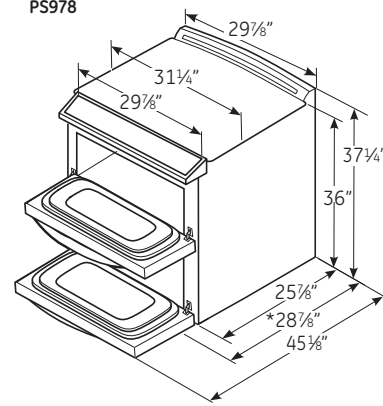


PHS925



\*Depth including door handle is approximately 28-7/8".

PS978

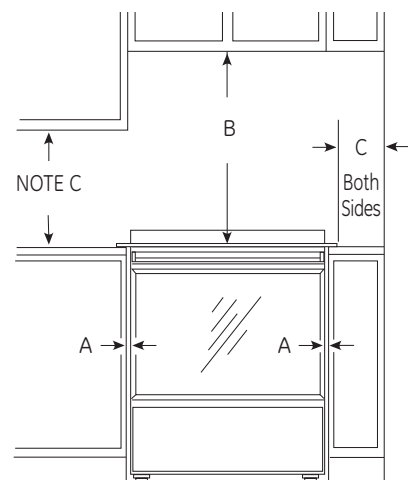


\*Depth including door handle is approximately 28-7/8".

Note: Use a 4' power cord to prevent interference with the storage drawer to allow for proper drawer closing

### MINIMUM DIMENSIONS BETWEEN COOKTOP, WALLS AND ABOVE THE COOKTOP:

- Make sure the wall covering, countertop, flooring and cabinets around the range can withstand the heat (up to 200°F) generated by the range.
- Allow 30" minimum clearance between surface units and bottom of unprotected wood or metal cabinet, or allow a 24" minimum when bottom of wood or metal cabinet is protected by no less than 1/4" thick flame retardant millboard covered with not less than No 28 MSG sheet metal, (.015"), .015" thick stainless steel, .024" aluminum or .020" copper. Acceptable electrical outlet area. Orient electrical receptacle so the length is parallel to floor.
- This appliance has been approved for 0" spacing to adjacent surfaces above the cooktop. However, a 6" minimum spacing to surfaces less than 15" above the cooktop and adjacent cabinet is recommended to reduce exposure to steam, grease splatter and heat.



To reduce the risk of burns or fire when reaching over hot surface elements, cabinet storage space above the cooktop should be avoided. If cabinet storage space is to be provided above the cooktop, the risk can be reduced by installing a range hood that projects at least 5" beyond the front of the cabinets. Cabinets installed above the cooktop must be no deeper than 13".



All GE ranges are equipped with an Anti-Tip device. The installation of this device is an important, required step in the installation of the range.



Listed by Underwriters Laboratories

Above illustrations intended for dimensional reference only. Refer to photography for actual product appearance.

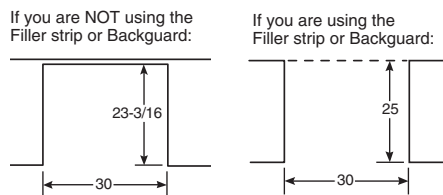
See page 195 for warranty information.

# 30" slide-in electric ranges

	GE Profile™		GE®			
	PS968SP PS968TP PS968DP	PS905SP PS905TP PS905DP	JSP46SP JSP46DP	JSP42SN JSP42DN	JSP39SN JSP39DN	JSS28DN
ADA-compliant	●	●	●	●	●	●
<b>Features</b>						
Oven capacity (cu. ft.)	4.1	4.4	4.1	4.4	4.4	4.4
Self-clean oven with delay clean option	●	●	●	●	●	Standard-clean
Light self-clean option	●	●	●	●		
Variable cleaning time	●	●	●	●	●	
Automatic self-clean oven door lock	●	●	●	●		
Oven racks	3 heavy-duty self-clean	3 heavy-duty	3	2	2	2
Oven rack positions	7	7	7	7	7	7
Hidden bake oven interior	●		●			
TrueTemp™ oven system	●	●	●	●	●	●
Variable broil/Six-pass broil element	●	●	●	●	●	●
Ceramic-glass cooktop	Black True white/ True bisque Black	Black True white Black	Patterned black Patterned white/ Patterned black	Patterned black Patterned white/ Patterned bisque/ Patterned black		
Overhanging cooktop	●	●	●	●	●	●
6 7/9" tri-ring element	1 (3000W)					
6 7/9" PowerBoil™ element		1 ribbon (3000W)	1 ribbon (3000W)	1 ribbon (3000W)		
8" heating elements				2 ribbon (2000W)	2 plug-in	2 plug-in
7" heating elements	2 ribbon (1800W)	2 ribbon (1800W)	2 ribbon (1800W)			
Bridge element	1 ribbon (800W)	1 ribbon (800W)	1 ribbon (800W)			
Total bridge wattage	4400W	4400W	4400W			
6" heating element	1 ribbon (1500W)	1 ribbon (1500W)	1 ribbon (1500W)	1 ribbon (1500W)	2 plug-in	2 plug-in
Warming zone	1 ribbon (120W)	1 ribbon (120W)	1 ribbon (120W)			
Infinite heat controls	●	●	●	●	Electronic	Electronic
PreciseAir™ convection system	●		●			
Convection Bake	Multi-/single-rack		Multi-/single-rack			
Convection Roast	●		●			
Auto Recipe™ conversion	●		●			
QuickSet controls	Glass touch	●	Glass touch	●	●	●
Proof mode	●		●			
Warm mode	●		●			
Oven meat probe	●		●			
Temperature display	●	●	●	●	●	●
Delay bake option	●	●	●	●	●	
C° or F° programmable	●	●	●	●		
Audible preheat signal	●	●	●	●	●	●
Auto oven shut-off w/override	●	●	●	●	●	●
Control lock capability	●	●	●	●	●	●
Electronic clock/kitchen timer	●	●	●	●	●	●
Hot surface indicator lights	4	4	4	4		
Heating element "ON" indicator light	●	●	●	●	●	●
Certified Sabbath mode	●	●	●	●	●	
Interior oven light	●	●	●	●	●	●
Storage drawer	Stainless White/Bisque Black	Stainless White Black	Stainless White/Black	Stainless White/Bisque/Black	Stainless White/Bisque/Black	White/Black
<b>Appearance</b>						
Color appearance*	SS WW/CC BB	SS WW BB	SS WW/BB	SS WW/CC/BB	SS WW/CC/BB	WW/BB
Frameless glass oven door*	Stainless White/Bisque Black	Stainless White Black	Stainless White/Black	Stainless White/Bisque/Black	Stainless White/Bisque/Black	White/Black
Oven door with window	Big ClearView™	Big ClearView	Big hearth	Big hearth	Big hearth	Big hearth
Heavy-duty knobs	SS model only	SS model only				
Dishwasher-safe knobs	●	●	●	●	●	●
Oven door handle	Sculptured stainless Sculptured white/ Sculptured bisque Sculptured black	Sculptured stainless Sculptured white Sculptured black	CM*	CM*	CM*	CM*
Storage drawer handle	Recessed stainless Recessed white/ Recessed bisque Recessed black	Recessed stainless Recessed white Recessed black	Recessed stainless Recessed white/ Recessed black	Recessed stainless Recessed white/ Recessed bisque/ Recessed black	Recessed stainless Recessed white/ Recessed bisque/ Recessed black	Recessed white/ Recessed black
Rear filler trim	No	No	No	No	No	No
<b>Weights &amp; Dimensions</b>						
Overall oven interior dimensions (WxHxD in inches)	24 x 16-1/4 x 18-1/8	24 x 17-1/2 x 18-1/4	24 x 17-1/2 x 18-1/4	24 x 17-1/2 x 18-1/4	24 x 17-1/2 x 18-1/4	24 x 17-1/2 x 18-1/4
Approx. shipping wt. (lbs.)	215	192	181	184	172	155
<b>Power/Ratings</b>						
KW rating @	240V 208V	12.4 9.3	11.6 8.7	12.4 9.3	11.6 8.7	11.9 8.9
Amps @	240V 208V	40 40	40 40	40 40	40 40	40 40
Convection wattage	2500		2500			
Broiler wattage	3600	3600	3600	3600	3300	3300
Bake wattage	2700	3400	2700	3400	3410	3410

\*SS = Stainless steel, WW = White with white glass door, CC = Bisque with bisque glass door, BB = Black with black glass door, CM = Color-Matched; indicates color of drawer matches range cooktop (either white or bisque).

**Counter cutout dimensions (in inches)**



**Note:** Cabinets installed adjacent to slide-in electric ranges must have an adhesion spec of at least a 194°F temperature rating.

**Note:** To reduce possibility of scorching the side walls above the countertop when no load is present on burners, it is recommended that a minimum 6" spacing from adjacent side wall be allowed for possible extended high-heat element operation.

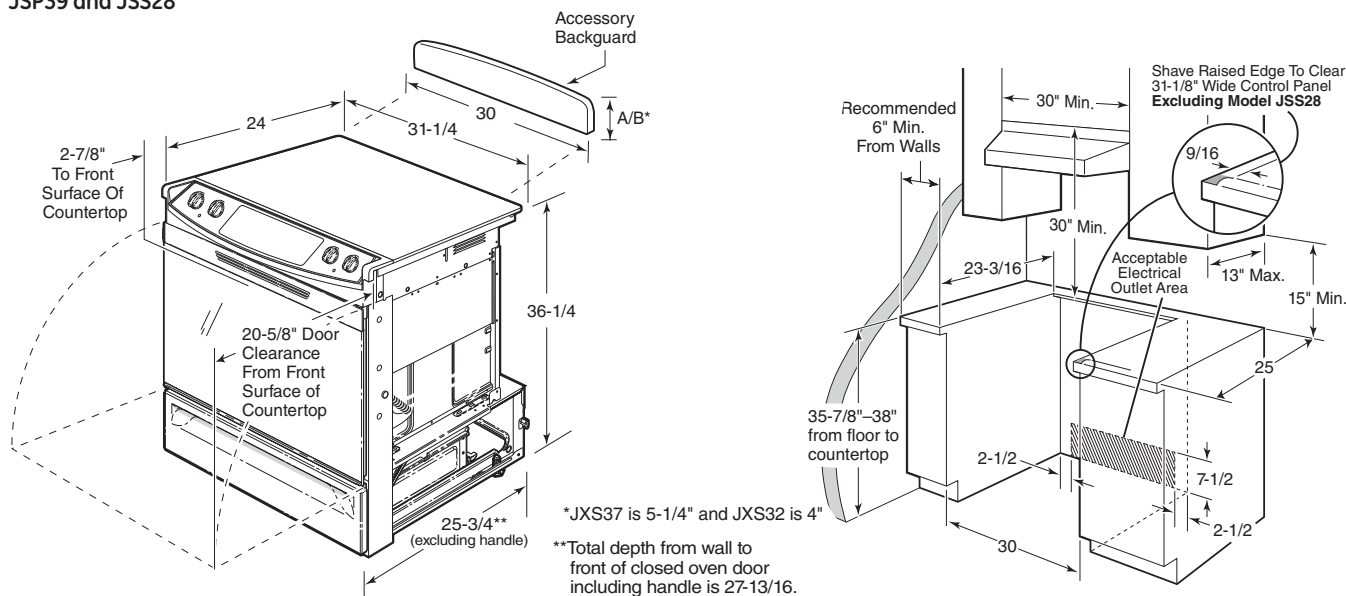
**Note:** Door handle protrudes 3" from door face. Cabinets and drawers on adjacent 45° and 90° walls should be placed to avoid interference with the handle.

**Receptacle locations:** For all 30" slide-in ranges, locally approved flexible service cord or conduit must be used because terminals are not accessible after range installation. See shaded area in drawing for location of electrical outlet box. Recommended outlet locations allow range to be installed directly against rear wall.

**Installation Information:** Before installing, consult installation instructions packed with product for current dimensional data.

**30" slide-in range dimensions (in inches)**

Models PS968, PS905, JSP46, JSP42, JSP39 and JSS28



If the countertop area is not flat, excess tension may be applied to the glass cooktop, causing breakage and voiding the warranty. Make sure the wall covering, countertop, flooring and cabinets around the range can withstand the heat (up to 200°F) generated by the range.

- A. Allow 30" minimum clearance between surface units and bottom of unprotected wood or metal cabinet, or allow a 24" minimum when bottom of wood or metal cabinet is protected by no less than 1/4"-thick flame-retardant millboard covered with no less than No. 28 MSG sheet metal (.015" thick), .015"-thick stainless steel, .025" aluminum or .020" copper.
- B. This appliance has been approved for 0" spacing to adjacent surfaces above the cooktop. However, a minimum 6" spacing to surfaces less than 15" above the cooktop and adjacent cabinetry is recommended to reduce exposure to steam, grease splatter and heat. Allow 1/4" minimum clearance at the back wall.

To reduce the risk of burns or fire when reaching over hot surface elements, cabinet storage space above the cooktop should be avoided. If cabinet storage space is to be provided above the cooktop, the risk can be reduced by installing a range hood that projects at least 5" beyond the front of the cabinets. Cabinets installed above the cooktop must be no deeper than 13".

**Body sides**

Slide-in ranges are sold without sides installed.\*\*\* Can be installed on either left or right when unit has one exposed side [no cabinet adjacent]. Kit contains one body side  
 \*\*\*Except for models JGSS05, PHS925 and PS978.

- JXS77WW—White
- JXS77BB—Black/Stainless

**Optional lower trim kits**

(If counter height is greater than 36-1/2", a lower trim kit is recommended to extend the useful height to 38" maximum)  
 JXS56WW—White  
 JXS56CC—Bisque  
 JXS56BB—Black/Stainless

**Optional rear filler trim kit**

(Available at additional cost)

Model	Rear filler trim kit	Model	Rear filler trim kit
PS968SP(SS)	WB07T10680	JSP42SN(SS)	WB07T10680
PS968TP(WW)	WB07T10681	JSP42DN(WW)	WB07T10681
PS968TP(CC)	WB07T10682	JSP42DN(CC)	WB07T10682
PS968DP(BB)	WB07T10680	JSP42DN(BB)	WB07T10680
PS905SP(SS)	WB07T10680	JSP39SN(SS)	WB07T10680
PS905TP(WW)	WB07T10681	JSP39DN(WW)	WB07T10681
PS905DP(BB)	WB07T10680	JSP39DN(CC)	WB07T10682
JSP46SP(SS)	WB07T10680	JSP39DN(BB)	WB07T10680
JSP46DP(WW)	WB07T10681	JSS28DN(WW)	WB07T10681
JSP46DP(BB)	WB07T10680	JSS28DN(BB)	WB07T10680

**Optional kits for slide-in electric ranges**

(Available at additional cost)

Model	A 5-1/4"	B 4"	Model	A 5-1/4"	B 4"
PS968SP	JXS37BB	JXS32SS	JSP42SN	JXS37BB	JXS32SS
PS968TP	JXS37WW	JXS32WW	JSP42DN	JXS37WW	JXS32WW
PS968TP	JXS37CC		JSP42DN	JXS37CC	
PS968DP	JXS37BB	JXS32BB	JSP42DN	JXS37BB	JXS32BB
PS905SP	JXS37BB	JXS32SS	JSS28DN	—	JXS32WW
PS905TP	JXS37WW	JXS32 WW	JSS28DN	—	JXS32BB
PS905DP	JXS37BB	JXS32BB			
JSP46SP	JXS37BB	JXS32SS			
JSP46DP	JXS37BB	JXS32BB			
JSP46DP	JXS37WW	JXS32WW			

**Accessory backguards—GE Profile and GE models**  
 (Attaches to the back of range as a backguard when unit is installed in 30" free-standing cutout)



All GE ranges are equipped with an Anti-Tip device. The installation of this device is an important, required step in the installation of the range.



Listed by Underwriters Laboratories

Above illustrations intended for dimensional reference only. Refer to photography for actual product appearance.

# 30" slide-in gas ranges

	GE Profile™				GE®	
	Dual-fuel	Gas		Gas		
	P2S975SEP P2S975DEP	PGS975SEP PGS975DEP	PGS968SEP	PGS908SEP PGS908DEP	JGSP42SET JGSP42DET	JGSS05DEM
ADA-compliant	●	●	●	●	●	●
<b>Features</b>						
Capacity (cu. ft.)	4.1	4.1	4.1	4.1	4.1	4.8
Self-clean oven with delay clean option	●	●	●	●	●	Standard-clean
Light self-clean option	●	●	●	●	●	
Variable cleaning time	●	●	●	●	●	
Automatic self-clean oven door lock	●	●	●	●	●	
Oven racks	3 heavy-duty self-clean	3 heavy-duty self-clean	3 heavy-duty self-clean	2 heavy-duty	2	2
Oven rack positions	7	7	7	7	7	7
Hidden bake oven interior	●	●	●	●	●	
TrueTemp™ oven system	●	●	●	●	●	
Cooktop	Stainless Steel Black	Stainless Steel White/Black	Black glass	Stainless Steel White/Black	Stainless Steel White/Black	Black porc.-enamel
Overhanging cooktop	●	●	●	●	●	
Deep-recessed cooktop	●	●	●	●	●	
Cooktop burners	Sealed	Sealed	Sealed	Sealed	Sealed	
PowerBoil™ burner			(1) 15,000 BTU/ 180° simmer	(1) 15,000 BTU/ 180° simmer	(1) 15,000 BTU/ 180° simmer	
Dual-flame stacked burner	(1) 18,000 BTU/ 140° simmer	(1) 18,000 BTU/ 140° simmer				
Precise Simmer burner	(1) 5,000 BTU/ 140° simmer	(1) 5,000 BTU/ 140° simmer	(1) 5,000 BTU/ 140° simmer	(1) 5,000 BTU/ 140° simmer	(1) 5,000 BTU/ 140° simmer	
High-output burner	(1) 11,000 BTU/ 150° simmer;	(1) 11,000 BTU/ 150° simmer;	(1) 11,000 BTU/ 150° simmer;	(1) 11,000 BTU/ 150° simmer;	(1) 11,000 BTU/ 150° simmer;	
All-purpose burners	(1) 9,100 BTU/ 150° simmer	(1) 9,100 BTU/ 150° simmer	(1) 9,100 BTU/ 150° simmer	(1) 9,100 BTU/ 150° simmer	(1) 9,100 BTU/ 150° simmer	(4) 9,000 BTU
Cooktop grates	Matte black hvy-cast	Matte black hvy-cast	Matte black hvy-cast	Matte black hvy-cast	Matte black hvy-cast	Black standard porcelain steel
Continuous grates	●	●	●	●	●	
Ignition system	Electronic	Electronic	Electronic	Electronic	Electronic	Electronic
PreciseAir™ convection system	●	●	●	●	●	
Convection Bake	Multi-/single-rack	●	●	●	●	
Convection Roast	●	●	●	●	●	
Auto Recipe™ conversion	●	●	●	●	●	
Electronic controls	Glass touch	Glass touch	Glass touch	●	●	
Warm/Proof mode	●/●	●/●	●/●	●	●	
Oven meat probe	●	●	●	●	●	
Closed-door broiling	●	●	●	●	●	●
Temperature display	●	●	●	●	●	
Delay bake option	●	●	●	●	●	
C° or F° programmable	●	●	●	●	●	
Audible preheat signal	●	●	●	●	●	
Auto oven shut-off w/override	●	●	●	●	●	
Range lock-out	●	●	●	●	●	
Control lock capability	●	●	●	●	●	
Electronic clock/kitchen timer	●	●	●	●	●	
Certified Sabbath mode	●	●	●	●	●	
Interior oven light	●	●	●	●	●	●
Storage drawer	Stainless steel Black	Stainless steel White/Black	Stainless steel	Stainless steel White/Black	Stainless steel White/Black	
Slide-out broiler drawer with pan and grid						●
<b>Appearance</b>						
Color appearance*	SS BB	SS WW/BB	SS	SS WW/BB	SS WW/BB	BB
Frameless oven door	Stainless steel Black glass	Stainless steel White glass/ Black glass	Stainless steel	Stainless steel White glass/ Black glass	Stainless steel White glass/ Black glass	Black glass
Oven door with window	Big ClearView™	Big ClearView	Big ClearView	Big ClearView	Big hearth	Small hearth
Sculptured oven door handle	●	●	●	●	●	
Heavy-duty knobs	SS model only	SS model only	SS model only	SS model only		
Dishwasher-safe knobs	●	●	●	●	●	●
Baking drawer/ Storage drawer handle	Recessed stainless Recessed black	Recessed stainless Recessed white/ Recessed black	Recessed stainless	Recessed stainless Recessed white/ Recessed black	Recessed stainless Recessed white/ Recessed black	Recessed black
Rear filler trim available at additional cost	●	●	●	●	●	N/A
<b>Weights &amp; Dimensions</b>						
Overall oven interior dimensions (WxHxD in inches)	24 x 16-1/4 x 18-1/4	24 x 16-1/4 x 18-1/4	24 x 16-1/4 x 18-1/4	24 x 16-1/4 x 18-1/4	24 x 16-1/4 x 18-1/4	24 x 17 x 19
Approx. shipping wt. (lbs.)	239	236	248	236	236	165
<b>Power/Ratings</b>						
Top burners** (000's BTUs) Nat/LP	(1) 18.0/15.0 (1) 11.0/10.0 (1) 5.0/5.0 (1) 9.1/9.1	(1) 18.0/15.0 (1) 11.0/10.0 (1) 5.0/5.0 (1) 9.1/9.1	(1) 15.0/13.0 (1) 11.0/9.0 (1) 9.1/8.0 (1) 6.0/5.2	(1) 15.0/13.0 (1) 11.0/10.0 (1) 5.0/5.0 (1) 9.1/9.1	(1) 15.0/13.0 (1) 11.0/10.0 (1) 5.0/5.0 (1) 9.1/9.1	(4) 9.0/8.0
Range electrical rating	240v/208v, 60Hz/40A	120v, 60Hz, 5A	120v, 60Hz, 5A	120v, 60Hz, 5A	120v, 60Hz, 5A	120v, 60Hz, 5A
Convection wattage	2500					
Broiler wattage/BTU Nat/LP	3600	12.0/12.0	12.0/12.0	12.0/12.0	12.0/12.0	16.0
Bake wattage/BTU Nat/LP	2700	15.0/15.0	15.0/15.0	12.0/15.0	15.0/15.0	16.0
LP conversion kit (included)	●	●	●	●	●	●

\*SS = Stainless steel with black accents, WW = White with white glass door, BB = Black with black glass door.  
\*\*Factory set for Natural Gas. A set of LP orifices is included with each range for LP conversion.

## Optional kits for slide-in gas ranges

(Available at additional cost)

### Accessory backguards

(Attaches to the back of range as a backguard when unit is installed in 30" free-standing cutout)

Model	A 5-1/4"	B 4"
P2S975SEP	JXS37BB	JXS32SS
P2S975DEP	JXS37BB	JXS32BB
PGS975SEP	JXS37BB	JXS32SS
PGS975DEP	JXS37WW	JXS32WW
PGS975DEP	JXS37BB	JXS32BB
PGS968SEP	JXS37BB	JXS32SS
PGS908SEP	JXS37BB	JXS32SS
PGS908DEP	JXS37WW	JXS32WW
PGS908DEP	JXS37BB	JXS32BB
JGSP42SET	JXS37BB	JXS32SS
JGSP42DET	JXS37WW	JXS32WW
JGSP42DET	JXS37BB	JXS32BB

### Body sides

Slide-in ranges are sold without sides installed.\*\* Can be installed on either left or right when unit has one exposed side no cabinet adjacent. Kit contains one body side.

\*\*Except for model JGSS05, PHS925 and PS978.

JXS77WW—White

JXS77BB—Black

### Optional lower trim kits

(If counter height is greater than 36.5", a lower trim kit is recommended to extend the useful height to 38" maximum.)

JXS56WW—White

JXS56BB—Black

### Optional rear filler trim kit

(Available at additional cost)

Model	Rear filler trim kit
PGS975SEP(SS)	WB07T10680
PGS975DEP(WW)	WB07T10681
PGS975DEP(BB)	WB07T10680
PGS968SEP(SS)	WB07T10680
PGS908SEP(SS)	WB07T10680
PGS908DEP(WW)	WB07T10681
PGS908DEP(BB)	WB07T10680
JGSP42DET(WW)	WB07T10687
JGSP42DET(BB)	WB07T10680

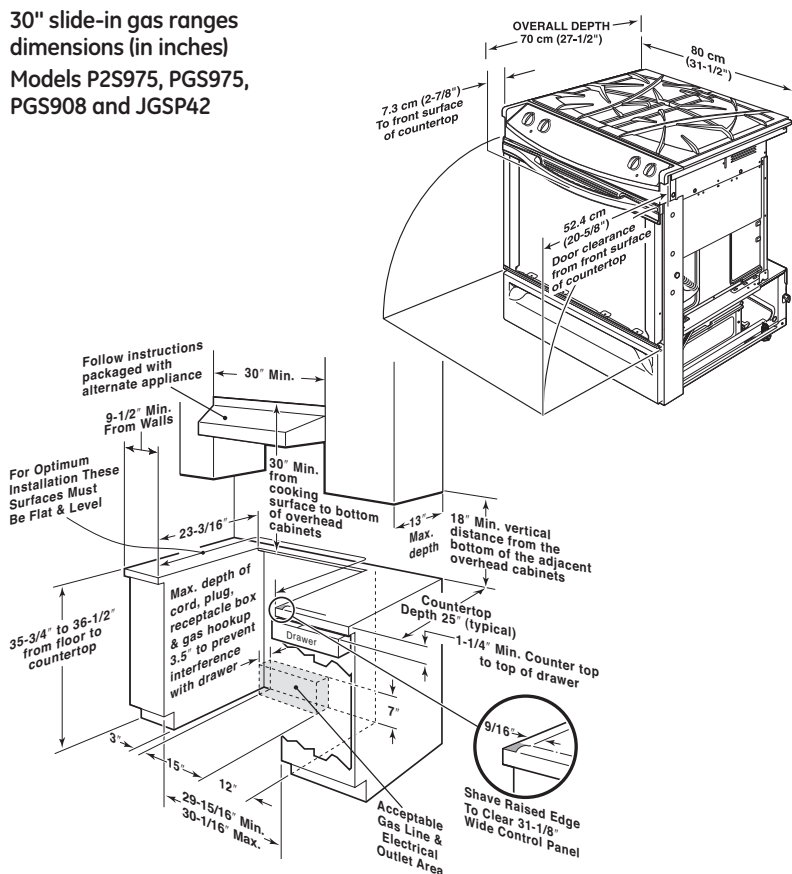


All GE ranges are equipped with an Anti-Tip device. The installation of this device is an important, required step in the installation of the range.

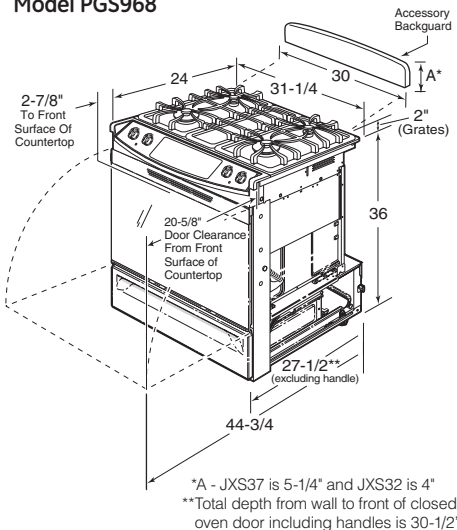


UL Listed by Underwriters Laboratories

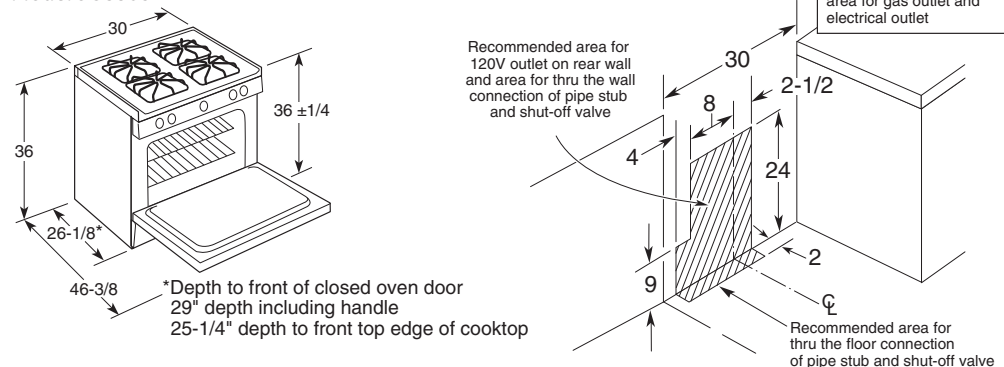
30" slide-in gas ranges dimensions (in inches)  
Models P2S975, PGS975, PGS908 and JGSP42



30" slide-in gas ranges dimensions (in inches)  
Model PGS968



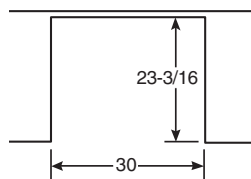
30" slide-in gas range dimensions (in inches)  
Model JGSS05



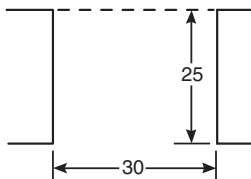
**Note:** The distance from wall to the front of open oven door is 45-5/8" on models P2S975, PGS975, PGS908, PGS968 and JGSP42.

Counter cutout dimensions (in inches)  
Models P2S975, PGS975, PGS968, PGS908 and JGSP42

If you are NOT using the Filler strip or Backguard:



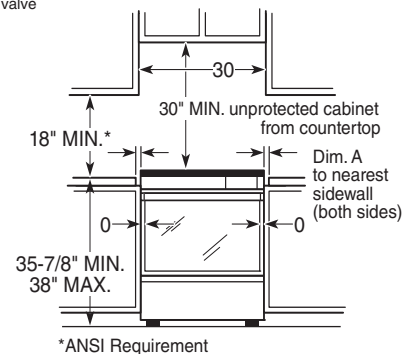
If you are using the Filler strip or Backguard:



**Note:** Door handle protrudes 3" from door face. Cabinets and drawers on adjacent 45° and 90° walls should be placed to avoid interference with the handle.

**Note:** Cabinets installed adjacent to slide-in ranges must have an adhesion spec of at least a 194°F temperature rating.

**Installation information:** Before installing, consult installation instructions packed with product for current dimensional data.



A is 2" min. to nearest sidewall for JGSS05.  
A is 9-1/2" min. to nearest sidewall for P2S975/PGS975/968/908/JGSP42.

# 30" drop-in electric ranges

	GE Profile™		GE®	
	PD968SP PD968DP	PD900DP	JDP42ST JDP42DT	JDS28DN
ADA-compliant	●	●	●	●
<b>Features</b>				
Capacity (cu. ft.)	4.1	4.4	4.4	4.4
Self-clean oven w/delay clean option	●	●	●	Standard-clean
Light self-clean option	●	●	●	
Variable cleaning time	●	●	●	
Automatic self-clean oven door lock	●	●	●	
Oven racks	3 heavy-duty self-clean	2	2	2
CleanDesign™ over/hidden bake element	●			
TrueTemp™ oven system	●	●	●	●
Variable broil/Six-pass broil element	●	●	●	●
Ceramic-glass cooktop	Black	Black	Black	
6 7/9" tri-ring element	1 ribbon (3000W)			
6 7/9" PowerBoil™ element		1 ribbon (3000W)	1 ribbon (3000W)	
8" heating elements		2 ribbon (2000W)	2 ribbon (2000W)	2 plug-in
7" heating elements	2 ribbon (1800W)			
Bridge element	1 ribbon (800W)			
Total wattage	4400W			
6" heating element	1 ribbon (1200W)	1 ribbon (1500W)	1 ribbon (1500W)	2 plug-in
Warming zone	1 ribbon (120W)			
Infinite heat controls	●	●	●	●
PreciseAir™ convection system	●			
Convection Bake	Multi-/single-rack			
Convection Roast	●			
Auto Recipe™ conversion	●			
QuickSet controls	Glass touch	Touchpads	Touchpads	Touchpads
Proof mode	●			
Warm mode	●			
Oven meat probe	●			
Temperature display	●	●	●	●
Delay bake option	●	●	●	●
C° or F° programmable	●	●	●	●
Audible preheat signal	●	●	●	●
Auto oven shut-off w/override	●	●	●	●
Control lock capability	●	●	●	●
Electronic clock/kitchen timer	●	●	●	●
Hot surface indicator lights	4	4	4	
Heating element "ON" indicator light	●	●	●	●
Certified Sabbath mode	●	●	●	●
Interior oven light	●	●	●	●
<b>Appearance</b>				
Color appearance*	SS BB	WW/CC/BB	SS WW/BB	WW
Frameless glass oven door*	Stainless Black	White/Bisque/Black	Stainless steel White/Black	White
Oven door with window	Big ClearView™	Big ClearView	Big hearth	Big hearth
Heavy-duty knobs	SS model only			
Dishwasher-safe knobs	●	●	●	●
Oven door handle	Sculptured stainless Sculptured black	Sculptured white/ Sculptured bisque/ Sculptured black	Stainless steel CM*	CM*
Rear filler trim	No	No	No	No
<b>Weights &amp; Dimensions</b>				
Overall oven interior dimensions (WxHxD in inches)	24 x 17-1/2 x 18-1/4	24 x 17-1/2 x 18-1/4	24 x 17-1/2 x 18-1/4	24 x 17-1/2 x 18-1/4
Approx. shipping wt. (lbs.)	190	155	184	136
<b>Power/Ratings</b>				
KW rating @	240V	12.1	11.6	10.8
	208V	9.1	8.7	8.1
Amps @	240V	40	40	40
	208V	40	40	40
Convection wattage	2500			
Broiler wattage	3600	3600	3600	3400
Bake wattage	2700	3400	3400	2585

\*SS = Stainless steel, WW = White with white glass door, CC = Bisque with bisque glass door, BB = Black with black glass door, CM=Color-matched; indicates color of drawer matches range cooktop (either white or black).



## Optional kits for drop-in electric ranges

(Available at additional cost)

### Maintop filler

(Fills gap between cooktop and wall when unit is installed in 30" free-standing cutout)  
WB07T10680—Stainless/Black  
WB07T10681—White  
WB07T10682—Bisque

**Note:** Cabinets installed adjacent to drop-in electric ranges must have an adhesion spec of at least a 194°F temperature rating.

**Note:** Cabinets and drawers on adjacent 45° and 90° walls should be placed to avoid interference with the handle.

**Note:** To reduce possibility of scorching the side walls above the countertop when no load is present on burners, it is recommended that a minimum 6" spacing from adjacent side wall be allowed for possible extended high-heat element operation.

**Note:** Drop-in configuration is also approved for 34" countertop heights.

**Installation information:** Before installing, consult installation instructions packed with product for current dimensional data.

**IMPORTANT:** 30" DROP-IN RANGES ARE DESIGNED TO HANG FROM THE COUNTERTOP. THEY DO NOT REST ON THE FLOOR. FOR INSTALLATION ALTERNATIVES, REFER TO INSTALLATION INSTRUCTIONS PACKED WITH PRODUCT.

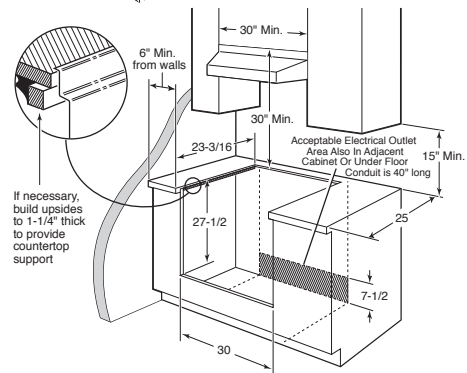
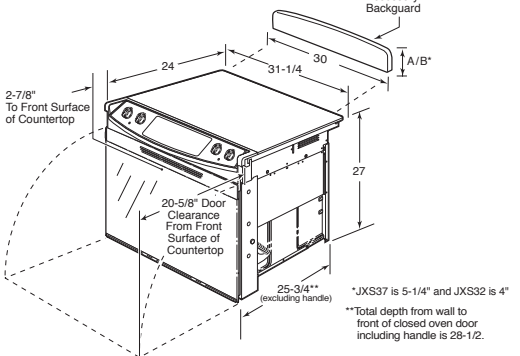


All GE ranges are equipped with an Anti-Tip device. The installation of this device is an important, required step in the installation of the range.

**Drop-in ranges are not approved for installation with a plug and receptacle. They must be hard wired in accordance with installation instructions.**

## 30" drop-in range dimensions (in inches)

Models PD968, PD900, JDP42 and JDS28



### Accessory backguards (shown above)

(Attaches to the back of range as a backguard when unit is installed in 30" free-standing cutout)

Model	A 5-1/4"	B 4"
PD968SP	JXS37BB	JXS32SS
PD968DP	JXS37BB	JXS32BB
PD900DP	JXS37WW	JXS32WW
PD900DP	JXS37CC	
PD900DP	JXS37BB	JXS32BB
JDP42ST	JXS37BB	JXS32SS
JDP42DT	JXS37WW	JXS32WW
JDP42DT	JXS37BB	JXS32BB
JDS28DN	—	JXS32WW

Above illustrations intended for dimensional reference only. Refer to photography for actual product appearance.

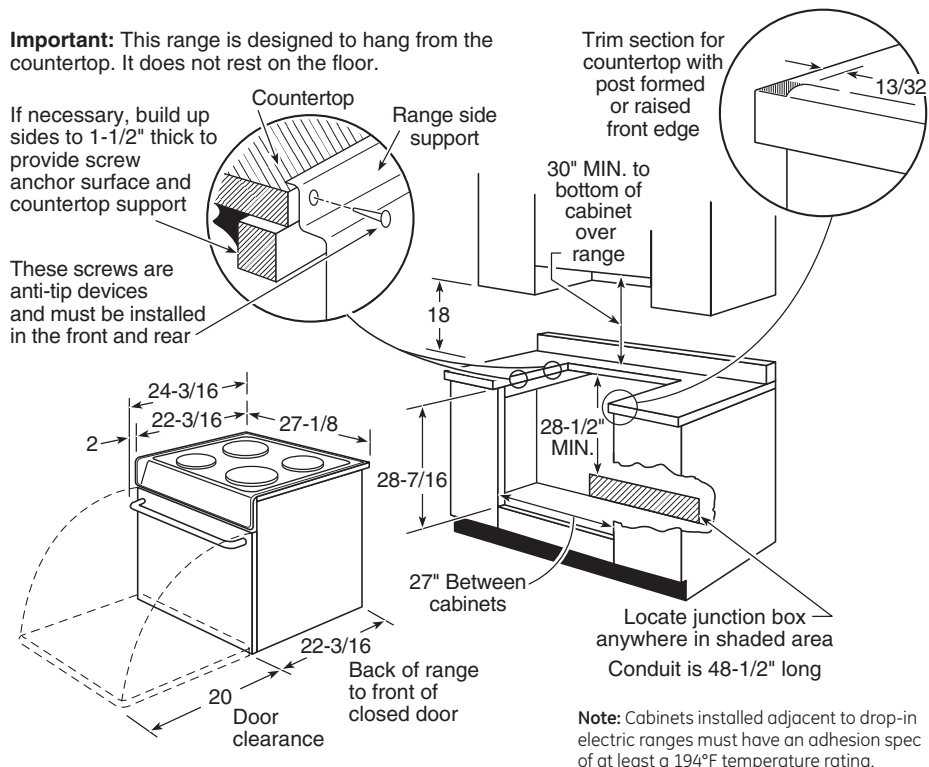


# Spacemaker™ 27" drop-in electric ranges

GE Profile	
	JMP31WC JMP31CL JMP31BL
ADA-compliant	●
<b>Features</b>	
Capacity (cu. ft.)	3.0
Oven cleaning	Self-clean
Variable cleaning time	●
Automatic self-clean oven door lock	●
Oven racks	2
	White porc.-enam. Bisque porc.-enam. Black porc.-enam.
Lift-up overhanging cooktop	
8" heating elements	1
6" heating elements	3
Plug-in Calrod® heating elements	●
Infinite heat controls	●
Removable one-piece drip bowls	Chrome
Electronic clock and kitchen timer	●
Delay bake option	●
Auto oven shut-off	●
Electronic oven control	●
Heating element "ON" indicator light	●
Interior oven light	●
<b>Appearance</b>	
Color appearance*	WW CC BB
	White glass Bisque glass Black glass
Frameless oven door	Big ClearView
Oven door with window	
Lift-off oven door	●
Designer-style handle	Sure Grip
<b>Weights &amp; Dimensions</b>	
Overall oven interior dimensions (WxHxD in inches)	19 x 15 x 18
Approx. shipping wt. (lbs.)	124
<b>Power/Ratings</b>	
KW rating @ 240V	9.8
208V	7.3
Amps @ 240V	40
208V	40
Broiler wattage	3400
Bake wattage	2000

\*WW = White with white glass door, CC = Bisque with bisque glass door, BB = Black with black glass door.

## 27" drop-in range dimensions (in inches) model JMP31



**Note:** All 27" drop-in electric ranges conform to UL requirements for minimum spacing between range and side wall below countertop.

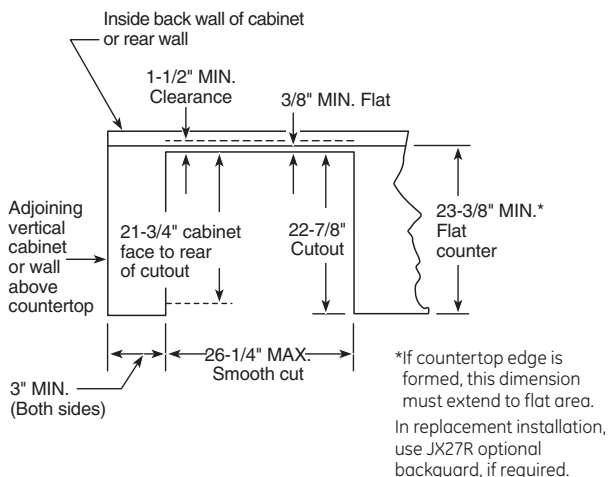
**Note:** Door handle protrudes 3" from door face. Cabinets and drawers on adjacent 45° and 90° walls should be placed to avoid interference with the handle.

**Installation information:** Before installing, consult installation instructions packed with product for current dimensional data.

### Optional backguard

(Available at additional cost)  
JX27RBK = Black  
JX27RWH = White

### Countertop cutout—top view



# 30" free-standing CleanDesign™ electric ranges

Features	GE Profile™					
	PB978ST PB978DT	PB975ST PB975TT PB975DT	Induction PHB925ST	PB920ST PB920DT	PB915ST PB915TT PB915DT	PB905ST PB905TT PB905DT
Induction			●			
Self-clean oven	●	●	●	●	●	●
Steam clean				●	●	●
Self-clean latch	Auto	Auto	Auto	Auto	Auto	Auto
Oven capacity (cu. ft.) upper/lower	Double oven 2.2/4.4	Double oven 2.2/4.4	5.3	5.3	5.3	5.3
Hidden bake oven interior	●	●	●	●	●	●
Oven racks	2 heavy-duty and 1 roller rack	3 heavy-duty	3 heavy-duty	2 heavy-duty and 1 roller rack	2 heavy-duty and 1 roller rack	3 heavy-duty
Ceramic-glass cooktop	Black Black	Black True white Black	Black	Black Black	Black True white/ True bisque Black	Black True white Black
One-piece upswept cooktop	●	●	●	●	●	●
6/9/12" PowerBoil™ element	1 (3600W)	1 (3000W)		1 (3600W)	1 (3000W)	1 (3000W)
6/9" PowerBoil dual element						1 (3000W)
5/8" heating element	1 (1900W)			1 (1900W)		
11" heating element			1 (3700W)			
8" heating element	1 (2000W)		2 (2500W)	1 (2000W)		
7" ribbon heating element		2 (1800W)			2 (1800W)	
Bridge element		1 (800W)			1 (800W)	
6" element	1 (1500W)	1 (1500W)	1 (1800W)	1 (1500W)	1 (1500W)	2 (1500W)
6" warming zone	1 (120W)	1 (120W)	1 (100W)	1 (120W)	1 (120W)	1 (120W)
Melt/Simmer	Melt	● / ●	● / ●	Melt	● / ●	Melt
Infinite heat controls	Electronic		Electronic	Electronic		
TrueTemp™ oven system	●	●	●	●	●	●
Six-pass broil element	8-pass	●	●	●	●	●
PreciseAir™ convection system	●	●	●	●	●	●
Convection Cook	●	●	●	●		
Convection Bake					Multi-/single-rack	Multi-/single-rack
Convection Roast					●	●
QuickSet oven controls	NextStep	Glass touch	NextStep	NextStep	Glass touch	Glass touch
Warm mode	●		●			●
Pizza mode	●					
Slow cook mode	●	●	●	●	●	●
Digital temperature display	Digitemp	Digitemp	Digitemp	Digitemp	Digitemp	Digitemp
Oven function icons	●	●	●	●	●	●
Delay bake	●	●	●	●	●	●
Control lock capability	Oven/cooktop	Oven/cooktop	Oven/cooktop	Oven/cooktop	Oven/cooktop	Oven/cooktop
Self-clean cool-down time display	●	●	●	●	●	●
Light self-clean option	●	●	●	●	●	●
Delay clean option	●	●	●	●	●	●
Auto oven shut-off	●	●	●	●	●	●
Certified Sabbath mode	●	●	●	●	●	●
Audible preheat signal	●	●	●	●	●	●
Dual-element bake	●	●	●	●	●	●
Oven meat probe	●	●	●	●	●	●
Hot surface lights	5	5	5	5	5	5
Oven "ON" light	●	●	●	●	●	●
Self-clean cycle light	Display	Display	Display	Display	Display	Display
Interior oven light	●	●	●	●	●	●
Warming drawer (140° to 220°)			●	●	●	
Removable liner			●	●	●	
Storage drawer			●	●	●	●
<b>Appearance</b>						
Color appearance*	SS/BB	SS/WW/BB	SS	SS/BB	SS/WW/CC/BB	SS/WW/BB
Frameless glass oven door	Stainless steel Black	Stainless steel White Black	Stainless steel	Stainless steel Black	Stainless steel White/Bisque Black	Stainless steel White Black
Oven door with window	Big ClearView™	Big ClearView	Big ClearView	Big ClearView	Big ClearView	Big ClearView
Heavy-duty knobs	●	●	●	●	●	●
Warming drawer/ Storage drawer handle			Sculptured stainless	Sculptured stainless Sculptured black	Sculptured stainless Sculptured white/ Sculptured bisque Sculptured black	Recessed stainless Recessed Recessed
Black gloss oven interior	●	●	●	●	●	●
<b>Weights &amp; Dimensions</b>						
Overall oven interior dimensions (WxHxD in inches) upper/lower	Upper: 24 x 8-7/8 x 18 Lower: 24 x 17-1/2 x 18-1/4	Upper: 24 x 8-7/8 x 18 Lower: 24 x 17-1/2 x 18-1/4	24-1/8 x 19-1/2 x 19-3/8	24-1/8 x 19-1/2 x 19-3/8	24-1/8 x 19-1/2 x 19-3/8	24-1/8 x 19-1/2 x 19-3/8
Approx. shipping wt. (lbs.)	262	262	260	225	230	211
<b>Power/Ratings</b>						
KW rating @ 240V	14.4	14.3	14.2	13.8	13.7	13.8
208V	10.8	10.7	10.7	10.4	10.3	10.4
Amp rating @ 240V / 208V	40	40	40	40	40	40
Convection wattage	2500	2500	2500	2500	2500	2500
Broiler wattage	Upper: 3000 Lower: 2650	Upper: 3000 Lower: 2650	3800	3800	3800	3800
Bake wattage	Upper: 2650 Lower: 2650	Upper: 2650 Lower: 2650	2850	2850	2850	2850

\*SS = Stainless steel with black accents, WW = White with white glass door, CC = Bisque with bisque glass door, BB = Black with black glass door.  
All ranges are shipped with cooktop cleaning creme & pad.

GE®										
	JB870ST JB870TT JB870DT	JB850ST JB850DT	JB705ST JB705TT JB705DT	JB680ST JB680DT	JB650ST JB650DT	JB645ST JB645DT	JB640SR JB640DR	JB620SR JB620GR JB620DR	JB400SP JB4000P	JB555SM JB555DM
<b>Features</b>										
Self-clean oven	●	●	●	●	●	●	●	●		
Steam clean			●	●	●	●			●	
Standard-clean oven										●
Self-clean latch	Auto	Auto	Auto	●	●	●	●	●		
Oven capacity (cu. ft.) (upper/lower)	Double oven 2.2/4.4	Double oven 2.2/4.4	5.3	5.3	5.3	5.3	5.3	5.3	5.3	5.3
Hidden bake oven interior	●		●	●	●	●	●	●	●	
Oven racks	3 heavy-duty	3 heavy-duty	3	2	2	2	2	2	2	2
Self-clean oven racks			●							
Ceramic-glass cooktop	Pat. black True white Pat. black	Pat. black Pat. white/ Pat. black	Pat. black True white/ Pat. bisque Pat. black	Pat. black Pat. white/ Pat. black	Pat. black Pat. white/ Pat. black	Pat. black Pat. white/ Pat. black	Pat. black Pat. white/ Pat. bisque/ Pat. black	Pat. black Pat. white/ Pat. bisque/ Pat. black	Pat. black Pat. white/ Pat. black	Pat. black Pat. white/ Pat. black
One-piece upswept cooktop	●	●	●	●	●	●	●	●	●	●
6"/9"/12" tri-ring element	1 (3000W)	1 (3000W)	1 (3000W)							
9"/12" dual element				1 (3000W)	1 (3000W)		1 (3000W)			
6"/9" PowerBoil element		1 (3000W)	1 (3000W)	1 (3000W)	1 (3000W)				1 (3000W)	
5"/8" PowerBoil element							1 (2400W) 1 (2700W)			
12" heating element										
8" ribbon heating element							1 (2000W)	2 (2000W)	1 (2000W)	2 (2000W)
7" ribbon heating element	2 (1800W)									
Bridge element	1 (800W)									
6" ribbon heating element	1 (1500W)	2 (1500W)	2 (1500W)	2 (1500W)	2 (1500W)	2 (1500W)	2 (1500W)	2 (1500W)	2 (1500W)	2 (1500W)
6" warming zone	1 (120W)	1 (120W)	1 (120W)	1 (120W)	1 (120W)	1 (120W)				
Melt/Simmer	● / ●	Melt	Melt	Melt	Melt	● / ●	● / ●	● / ●	● / ●	● / ●
Infinite heat controls	●	●	●	●	●	●	●	●	●	●
TrueTemp oven system	●	●	●	●	●	●	●	●	●	●
Six-pass power bake element		●								
Six-pass broil element	8-pass	●	●	●	●	●	●			
PreciseAir convection system			●							
Convection Bake	●		●	●						
Convection Roast			●							
Auto Recipe™ conversion			●							
QuickSet oven controls	QuickSet V	QuickSet V	QuickSet V	QuickSet IV	QuickSet IV	QuickSet IV	QuickSet IV	QuickSet III	QuickSet IV	QuickSet III
Digital temperature display	●	●	●	●	●	●	●	●	●	●
Oven function icons	●	●	●	●	●	●	●	●	●	●
Delay bake	●	●	●	●	●	●	●	●	●	●
Control lock capability	●	●	●	●	●	●	●	●	●	●
Self-clean cool-down time display	●	●	●	●	●	●	●	●	●	●
Delay clean option	●	●	●	●	●	●	●	●	●	●
Auto oven shut-off	w/override	w/override	w/override	w/override	w/override	w/override	w/override	w/override	w/override	w/override
Certified Sabbath mode	●	●	●	●	●	●	●	●	●	●
Audible preheat signal	●	●	●	●	●	●	●	●	●	●
Dual-element bake	●	●	●	●	●	●	●	●	●	●
Hot surface lights	Cooktop	Cooktop	Cooktop	Cooktop	Cooktop	●	●	●	●	●
Interior oven light	●	●	●	Switch	●	●	●	●	●	●
Warming drawer (140°-220°)			●							
Removable liner			●							
Storage drawer			●	●	●	●	●	●	●	●
<b>Appearance</b>										
Color appearance*	SS WW BB	SS WW/BB	SS WW/CC BB	SS WW/BB	SS WW/BB	SS WW/BB	SS WW/CC/BB	SS SA WW/BB	SS WW/BB	SS WW/BB
Frameless glass oven door*	Stainless steel White/Black	Stainless steel White/Black	Stainless steel White/Bisque Black	Stainless steel White/Black	Stainless steel White/Black	Stainless steel White/Black	Stainless steel White/Bisque/ Black	Stainless steel Silver White/Black	Stainless steel White/Black	Stainless steel White/Black
Oven door with window	Big hearth	Big hearth	Big hearth	Big hearth	Big hearth	Big hearth	Big hearth	Big hearth	Big hearth	Big hearth
SS appearance knobs	SS model only	SS model only	SS model only	SS model only	SS model only	SS model only				
Designer-style handle	●	●	●	●	●	●	●	●	●	●
Warming drawer/ Storage drawer handle			D-shaped stainless Recessed Recessed	Recessed stainless Recessed	Recessed stainless Recessed	Recessed stainless Recessed	Recessed stainless Recessed	Recessed stainless Recessed silver Recessed	Recessed stainless Recessed	Recessed stainless Recessed
<b>Weights &amp; Dimensions</b>										
Overall oven interior dims. (WxHxD in inches) upper/lower	Upper: 24 x 8-7/8 x 18 Lower: 24 x 17-1/2 x 18-1/4		← 24-1/8 x 19-1/2 x 19-3/8 →							
Approx. shipping wt. (lbs.)	240	226	185	181	180	180	171	179	161	161
<b>Power/Ratings</b>										
KW rating @ 240V	14.2	14.2	12.9	10.5	10.5	10.5	10.5	10.5	10.5	10.5
208V	10.7	10.7	9.7	7.9	7.9	7.9	7.9	7.9	7.9	7.9
Amp rating @ 240V/208V	40	40	40	40	40	40	40	40	40	40
Convection wattage			2500							
Broiler wattage	3600	3000	3800	3800	3800	3800	3800	3410	3800	3410
Bake wattage	2650	2650	2850	2850	2850	2850	2850	2585	2850	2585

\*SS = Stainless steel with black accents, SA = Silver, BS = CleanSteel appearance with black accents, WW = White with white glass door, CC = Bisque with bisque glass door, BB = Black with black glass door.  
All ranges are shipped with cooktop cleaning creme & pad.

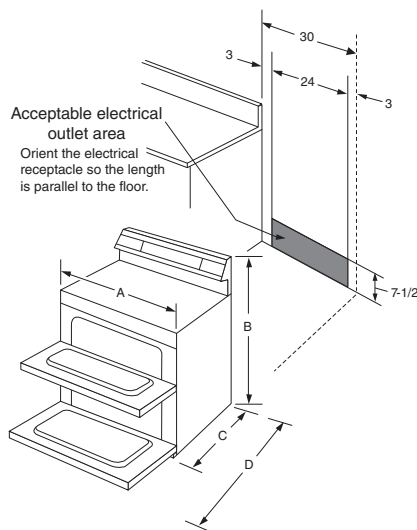
# 30" and 24" free-standing QuickClean™ electric ranges

	GE®									
	JBP35SM JBP35DM	JBP28DR	JBP23GR JBP23SR JBP23DR	JBP15DM	JBS27SM JBS27DM	JBS15M	JBS07SP JBS07M	JBS03M	JAP02SN	JAS02SN
ADA-compliant				●		●				●
<b>Features</b>										
Oven cleaning	Self-clean	Self-clean	Self-clean	Self-clean	Standard-clean	Standard-clean	Standard-clean	Standard-clean	Self-clean	Standard-clean
Oven capacity (cu. ft.)	5.3	5.3	5.3	5.0	5.0	5.0	5.0	5.0	3.0	3.0
Oven racks	2 heavy-duty	2	2	2	2	2	2	2	2	2
Self-clean oven racks	●									
Self-clean drip bowls	●									
Upswept porcelain-enameled cooktop	●	●	●	●	●	●	●	●		
Clean-Well™ cooktop system	●	●	●		●		●	●		
Lift-up cooktop w/dual support rods	●	●	●	●	●	●	●	●		●
8" heating elements	2 (6 turns)	2 (5 turns)	2 (5 turns)	1 (5 turns)	2 (5 turns)	1 (5 turns)	2 (5 turns)	1 (5 turns)	2 ribbon (2000w)	1 (5 turns)
6" heating elements	2 (5 turns)	2 (4 turns)	2 (4 turns)	3 (3 turns)	2 (4 turns)	3 (3 turns)	2 (4 turns)	3 (4 turns)	2 ribbon (1500w)	3 (4 turns)
Infinite heat controls	●	●	●	●	●	●	●	●	●	●
Plug-in Calrod® heating element	●	●	●	●	●	●	●	●		●
Ceramic-glass cooktop									●	
Removable one-piece drip bowls	Black Grey/Black/Black	Chrome/ Chrome/Black	Black Black Chrome/ Chrome/Black	Chrome/ Chrome/Black	Black Chrome/ Chrome/Black	Chrome/Black	Chrome	Chrome		Chrome
TrueTemp™ oven system	●	●								
Six-pass power bake element	●	●			●					
Convenience controls	●	●	●		●					
QuickSet oven controls	QuickSet IV	QuickSet IV	QuickSet III		QuickSet III				QuickSet IV	
Digital temperature display	●	●	●		●				●	
Electronic oven controls	●	●	●		●				●	
Auto oven shut-off	w/override	w/override	w/override						w/override	
Delay bake	●	●							●	
Start pad	●	●	●		●					
Delay clean option	●	●							●	
Auto self-clean	●	●	●						●	
Self-clean cool-down time display	●	●	●							
Audible preheat signal	●	●	●						●	
Certified Sabbath mode	●	●	●		●					
Clock and minute timer	●	●	●		●				●	
Dual-element bake	●	●	●	●	●	●	●	●	●	●
Heating element "ON" indicator light	●	●	●	●	●	●	●	●	●	●
Interior oven light	●	●	●	Switch	●	Switch	Switch	Switch	●	
Preheated oven light	●	●								
Removable full-width storage drawer*	Stainless steel White/Bisque/ Black	White/Bisque/ Black	Silver Stainless steel White/Bisque/ Black	White/Bisque/ Black	Stainless steel White/Black	White/Black	Silver White/Bisque/ Black	White	Stainless steel	
<b>Appearance</b>										
Color appearance**	SS WW/CC/BB	WW/CC/BB	SA SS WW/CC/BB	WW/CC/BB	SS WW/BB	WW/BB	SA WW/CC/BB	WH	SS	SS
Frameless glass oven door**	Stainless steel White/Bisque/ Black	Silver White/Bisque/ Black	Silver Stainless steel White/Bisque/ Black	Color-matched	Stainless steel White/Black	Color-matched	Silver Color-matched	Color-matched	Stainless steel	Stainless steel
Oven door with window	Big hearth	Big hearth	Big hearth	Big hearth	Small hearth	ClearView™	ClearView		ClearView	
Removable oven door	●	●	●	●	●	●	●	●		
Designer-style handle	●	●	●	●	●	●	●	Visor	Sculptured	Sculptured
Storage drawer handle	D-shaped stain, Recessed	Recessed	Recessed Recessed stain, Recessed	Recessed	D-shaped stain, Recessed	Recessed	Recessed stain, Recessed	Recessed	Recessed stainless	
Textured steel side panels	●	●	●	●	●	●	●	●	●	●
<b>Weights &amp; Dimensions</b>										
Overall oven interior dimensions (WxHxD in inches)	24-1/8 x 19-1/2 x 19-3/8	24-1/8 x 19-1/2 x 19-3/8	24-1/8 x 19-1/2 x 19-3/8	24 x 18-1/2 x 19	23-3/4 x 19 x 18-1/2	24 x 18-1/2 x 19	23-3/4 x 19 x 18-1/2	23-3/4 x 19 x 18-1/2	23 x 16 x 17-1/8	23 x 16 x 17-1/8
Approx. shipping wt. (lbs.)	178	171	175	170	158	150	150	155	150	150
<b>Power/Ratings</b>										
KW rating @ 240V	12.1	12.1	11.7	9.8	11.7	10.2	12.6	11.5	9.8	9.8
208V	9.1	9.1	8.8	7.4	8.8	7.7	9.5	8.6	7.4	7.4
Amp rating @ 240V / 208V	40	40	40	40	40	40	40	40	40	40
Broiler wattage	3800	3800	3410	3410	3410	3410	3410	3410	3000	2400
Bake wattage	2850	3410	2585	2585	2585	2585	2585	2585	2700	2000

\*Black, white and bisque models feature recessed drawer handle.

\*\*SS = Stainless steel, SA = Silver, WW = White with white door, CC = Bisque with bisque door, BB = Black with black door, WH = White with black door.

**Dimensions and installation information for 30" double-oven electric ranges**



**30" double-oven electric range dimensions (in inches)**

Model	A	B	C*	D
PB978	29-7/8	47	25-3/4	45
PB975	29-7/8	47	25-3/4	45
JB870	29-7/8	47	25-3/4	45
JB850	29-7/8	47	25-3/4	45

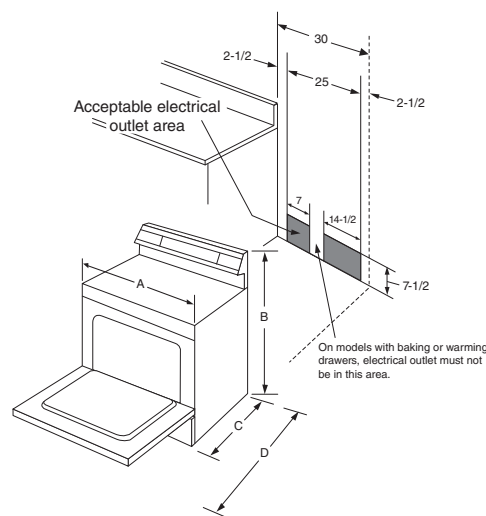
\*Dimension from wall to front of closed oven door handle is 28-7/8.

**30" self-clean range dimensions (in inches)**

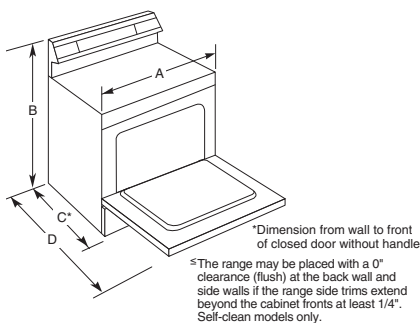
Model	A	B	C*	D
PHB925	29-7/8	46-1/2	25-3/8	47-5/8
PB920	29-7/8	46-1/2	25-3/8	47-5/8
PB915	29-7/8	46-1/2	25-3/8	47-5/8
PB905	29-7/8	46-1/2	25-3/8	47-5/8
JB705	29-7/8	46-7/8	25-3/8	47-5/8
JB680	29-7/8	46-7/8	25-3/8	47-5/8
JB650	29-7/8	46-7/8	25-3/8	47-5/8
JB645	29-7/8	46-7/8	25-3/8	47-5/8
JB640	29-7/8	46-7/8	25-3/8	47-5/8
JB620	29-7/8	46-7/8	25-3/8	47-5/8
JB400	29-7/8	46-7/8	25-3/8	47-5/8
JBS55	29-7/8	46-7/8	25-3/8	47-5/8
JBP35	29-7/8	46-7/8	25-3/8	47-5/8
JBP28	29-7/8	46-7/8	25-3/8	47-5/8
JBP23	29-7/8	46-7/8	25-3/8	47-5/8

\*Dimension from wall to front of closed oven door handle is 27-3/4"

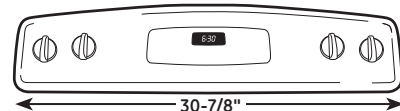
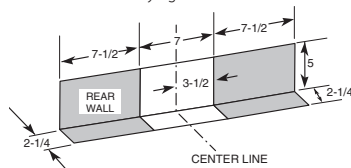
**Dimensions and installation information (in inches) for 30" self-clean ranges**



**Dimensions and installation information (in inches) for models JBS27/07/03**



**Receptacle locations:** Locally approved flexible service cord or conduit must be used because terminals are not accessible after range installation. See shaded area in drawing for location of electrical outlet box. Recommended outlet locations allow range to be installed directly against wall.

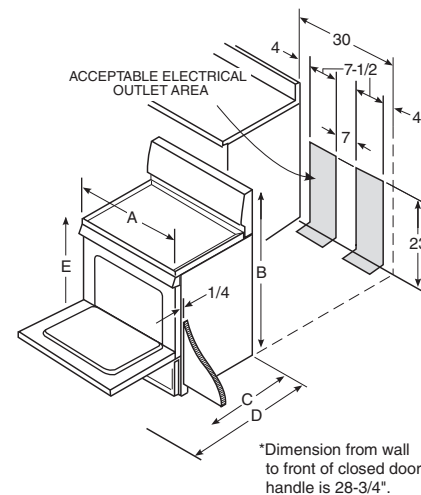


**All 30" GE gas and electric range backguards are 30-7/8" wide.\***

**Note:** 30" ranges conform to UL requirements for 0" spacing from adjacent walls below countertops. To reduce possible scorching of walls, engineering recommends a minimum of 1-1/2" spacing to allow for possible extended, high-heat, no-load heating element operation.

\*Except these models: JGBS07, JGBS04, all GE Profile™ free-standing electric and gas ranges  
Fits most countertop backsplash applications. Consult use & care manual for detailed installation instructions.

**Dimensions and installation information (in inches) for models JBP15 and JBS15**



**Dimensions (in inches)**

Model	A	B	C*	D
JBS27	29-7/8	46-1/4	26-1/4	46-1/4
JBS07	29-7/8	46-1/4	26-1/4	46-1/4
JBS03M	29-7/8	46-1/4	26-1/4	46-1/4

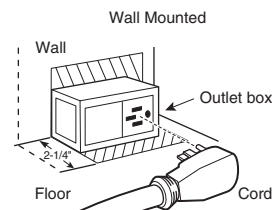
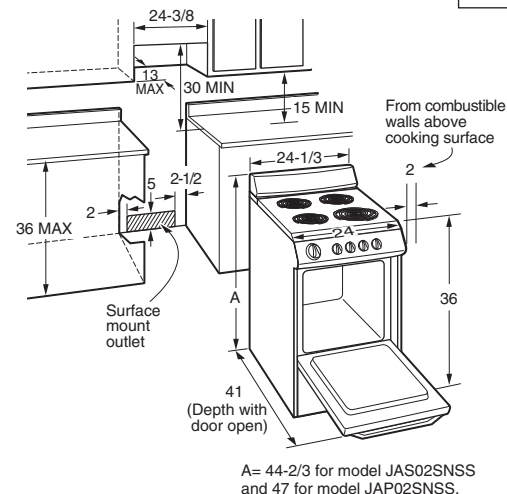
\*Dimension from wall to front of closed door handle is 28-3/4" on models JBS27/07/03.

**Dimensions (in inches)**

Model	A	B	C*	D	E
JBP15	29-7/8	46-1/4	26-3/8	46-3/8	36
JBS15	29-7/8	46-1/4	26-1/4	46-1/4	36

\*Dimension from wall to front of closed oven door handle is 28-3/4"

**Dimensions and installation (in inches) for models JAP02 and JAS02**



Recommended acceptable electrical outlet area. Orient the electrical receptacle so the length is parallel to the floor.

**Note:** Conforms to UL requirements for 0" spacing for adjacent walls below countertops. To reduce possibility of scorching of walls, it is recommended a minimum of 1-1/2" spacing be allowed from adjacent side walls to allow for possible extended, high-heat, no-load heating element operation.

**Receptacle locations:** For 30" free-standing ranges, locally approved flexible service cord or conduit must be used because terminals are not accessible after range installation. See shaded area drawing for location of electrical outlet box. Recommended outlet locations allow range to be installed directly against wall.



All GE ranges are equipped with an Anti-Tip device. The installation of this device is an important, required step in the installation of the range.

**Electric free-standing range Anti-Tip bracket (Part No. 164D3799P002)**  
PB978/975/925/920/915/905, JB870/850/705/680/650/645/640/620/400, JBP35/28/23 and JBS55

**Anti-Tip bracket (Part No. 183D6270P001)**  
JBS27/07/15/03 and JBP15

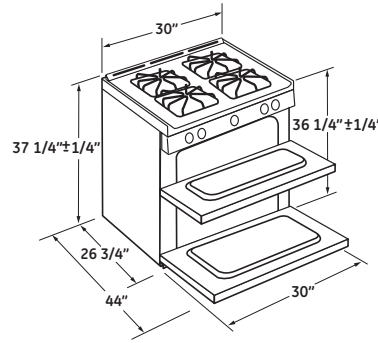
See page 195 for warranty information.

# GE Café™ 30" free-standing gas ranges

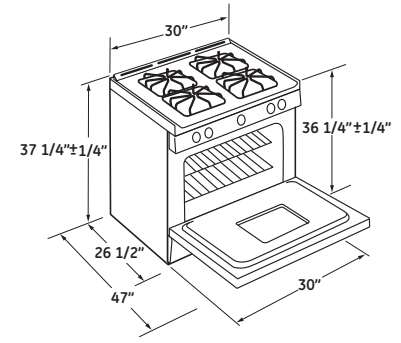
	GE Café		
	Dual-fuel C2S985SET	Gas CGS990SET    CGS985SET	
ADA-compliant			
<b>Features</b>			
Oven capacity (cu. ft.) (upper/lower)	5.4	Double oven 2.4/4.3	5.4
Baking drawer capacity (cu. ft.)	1.0		1.0
Self-clean oven with delay clean option	●	●	●
Light self-clean option	●	●	●
Variable cleaning time	●	●	●
Automatic self-clean oven door lock	●	●	●
Oven racks	3 heavy-duty self-clean	2 heavy-duty and 1 roller rack	3 heavy-duty self-clean
TrueTemp™ oven system	●	●	●
Cooktop	Stainless steel	Stainless steel	Stainless steel
Deep-recessed cooktop	●	●	●
Tri-ring burner	(1) 20,000 BTU	(1) 20,000 BTU	(1) 20,000 BTU
PowerBoil™ burner	(1) 17,000 BTU	(1) 17,000 BTU	(1) 17,000 BTU
Precise Simmer burner	(1) 5,000 BTU/140° simmer	(1) 5,000 BTU/140° simmer	(1) 5,000 BTU/140° simmer
All-purpose burners	(1) 9,100 BTU	(1) 9,100 BTU	(1) 9,100 BTU
Center oval burner	8,000 BTU	8,000 BTU	8,000 BTU
Griddle	Non-stick	Non-stick	Non-stick
Cooktop grates	Matte black hvy.-cast	Matte black hvy.-cast	Matte black hvy.-cast
Continuous grates	Self-clean	Self-clean	Self-clean
Ignition system	Electronic	Electronic	Electronic
Convection oven system	●	Lower	●
Convection Bake	Multi-/single-rack	Multi-/single-rack	Multi-/single-rack
Convection Roast	●	●	●
Auto Recipe™ conversion	●	●	●
Electronic controls	QuickSet VI Glass touch	QuickSet VI Glass touch	QuickSet VI Glass touch
Oven meat probe	●	●	●
Closed-door broiling	●	●	●
Temperature display	●	●	●
Delay bake option	●	●	●
C° or F° programmable	●	●	●
Audible preheat signal	●	●	●
Auto oven shut-off w/override	●	●	●
Gas cooktop and oven lock-out	●	●	●
Electronic clock/kitchen timer	●	●	●
Certified Sabbath mode	●	●	●
Interior oven light	●	●	●
Baking drawer (140° to 450°)	●	●	●
<b>Appearance</b>			
Color appearance*	SS	SS	SS
Frameless oven door	Stainless steel	Stainless steel	Stainless steel
Easy clean oven door	●	●	●
Oven door with window	Big ClearView™	Big ClearView	Big ClearView
Oven door handle	GE Café stainless	GE Café stainless	GE Café stainless
GE Café heavy-duty knobs	●	●	●
Dishwasher-safe knobs	●	●	●
Baking drawer handle	GE Café stainless	●	GE Café stainless
Black gloss oven interior	●	●	●
<b>Weights &amp; Dimensions</b>			
Overall oven interior dimensions (WxHxD in inches)	24 x 19 x 20-5/8	Upper 24 x 9-1/8 x 18-7/8 Lower 24 x 15 x 20-5/8	24 x 19 x 20-5/8
Approx. shipping wt. (lbs.)	245	245	245
<b>Power/Ratings</b>			
Top burners (000's BTUs) Nat/LP	(1) 20.0/15.0 (1) 17.0/15.0 (1) 9.1/9.1 (1) 5.0/5.0 (1) 8.0/8.0	(1) 20.0/15.0 (1) 17.0/15.0 (1) 9.1/9.1 (1) 5.0/5.0 (1) 8.0/8.0	(1) 20.0/15.0 (1) 17.0/15.0 (1) 9.1/9.1 (1) 5.0/5.0 (1) 8.0/8.0
Range electrical rating	240v/208v, 60Hz/40A	120v, 60Hz, 15A	120v, 60Hz, 15A
Broiler/Bake (000's BTUs) Nat/LP		Upper broiler: 10.0/10.0 Upper bake: 12.0/10.0 Lower bake: 16.0/13.5	13.5/16.0
Broiler/Bake wattage	3410 2585	1150	
LP conversion kit (included)	●	●	●

\*SS = Stainless steel.  
Factory set for Natural Gas. A set of LP orifices is included with each range for LP conversion.

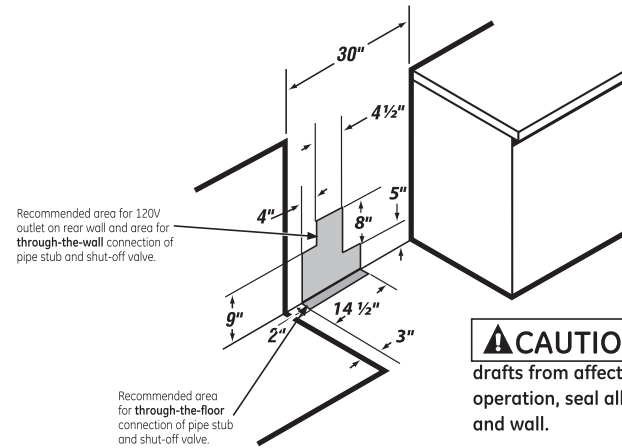
## 30" GE Café double oven gas range and single oven gas range dimensions (in inches) Model CGS990



## 30" GE Café gas range dimensions (in inches) Models CGS985



## Gas pipe and electrical outlet locations

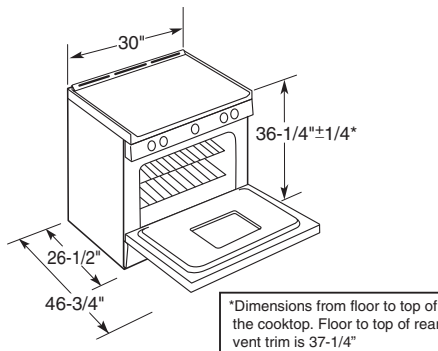


Recommended area for 120V outlet on rear wall and area for through-the-wall connection of pipe stub and shut-off valve.

Recommended area for through-the-floor connection of pipe stub and shut-off valve.

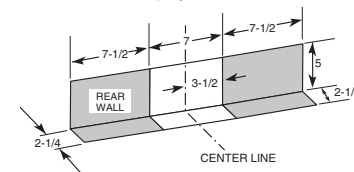
**CAUTION** To prevent drafts from affecting burner operation, seal all openings in floor and wall.

## 30" GE Café electric range dimensions (in inches) Model CS980



\*Dimensions from floor to top of the cooktop. Floor to top of rear vent trim is 37-1/4"

**Receptacle locations:** Locally approved flexible service cord or conduit must be used because terminals are not accessible after range installation. See shaded area in drawing for location of electrical outlet box. Recommended outlet locations allow range to be installed directly against wall.



## Optional kits for 30" GE Café gas and electric ranges (Available at additional cost)

**Accessory backguard** (Attaches to the back of range as a backguard when unit is installed in 30" free-standing cutout)  
JXS80SS—Stainless steel

## GE Café 30" free-standing electric range

GE Café	
CS980ST	
<b>Features</b>	
Self-clean oven	●
Self-clean latch	Auto
Upper oven capacity (cu. ft.)	5.4
Baking drawer capacity (cu. ft.)	1.0
	3 heavy-duty self-clean
Self-clean oven racks	Black
Ceramic-glass cooktop	
9"12" dual element	1 (2100/3000W)
5"8" dual element	1 (1900W)
8" ribbon heating element	1 (2000W)
	1 cook (1200W/1 warm)
6" Fifth element	
Griddle system with pre-seasoned cast-iron	Included
TrueTemp oven system	●
	Multi-/single-rack
Convection Bake	●
Convection Roast	●
Auto Recipe conversion	●
	QuickSet VI Glass Touch
Electronic oven controls	
Digital temperature display	●
Oven function icons	●
Delay bake	●
Oven light pad	●
Control lock capability	Oven/cooktop
Self-clean cool-down time display	●
Light self-clean option	●
Delay clean option	●
Auto oven shut-off	w/override
Certified Sabbath mode	Upper
Audible preheat signal	●
Dual-element bake	●
Oven meat probe	●
Hot surface lights	5
Oven "ON" light	●
Self-clean cycle light	●
Interior oven light	Auto/pad
Baking drawer (140° to 450°)	●
<b>Appearance</b>	
Color appearance*	SS
Frameless glass oven door	Stainless steel
Easy clean oven door	●
Oven door with window	Big ClearView
GE Café heavy-duty knobs	●
Oven door handle	GE Café stainless
Baking drawer handle	GE Café stainless
Black gloss oven interior	●
<b>Weights &amp; Dimensions</b>	
Overall oven interior dimensions (WxHxD in inches) upper/lower	24 x 19 x 20-5/8
Approx. shipping wt. (lbs.)	305
<b>Power/Ratings</b>	
KW rating @	240V 15.5
	208V 11.6
Amp rating @	240V / 208V 40
Convection wattage	1200

\*SS = Stainless steel with black accents.

## 30" free-standing dual-fuel range

GE Profile™	
Dual-fuel	
P2B930SET P2B930DET	
<b>Capacity</b>	
Upper oven capacity (cu. ft.)	5.4
Baking drawer capacity (cu. ft.)	1.0
<b>Features</b>	
Oven cleaning	Self-clean
Deep-recessed porcelain cooktop	●
Cooktop burners	Sealed
PowerBoil burner (Nat.)	(1) 17,000 BTU
Precise Simmer burner (Nat.)	(1) 5,000 BTU/140° Simmer
High-output burner	(1) 11,000 BTU
All-purpose burners (Nat.)	(1) 9,100 BTU
Center oval burner	(1) 10,000 BTU
Griddle	Reversible griddle/grill
Valves (degree of turn)	270
TrueTemp oven system	●
Convection oven system	●
Convection Bake	●
Convection Roast	●
QuickSet oven controls	QuickSet VI glass touch
Auto self-clean	●
Electronic oven control	●
Hi/Low broil	●
Electronic clock and timer	●
Automatic oven timer	●
Audible preheat signal	●
Oven meat probe	●
Auto oven shut-off	●
Certified Sabbath mode	●
Control lock capability	●
One-piece upswept cooktop	Porc.-enam.
Cooktop grates	Matte black hvy.-cast
Continuous grates	Dishwasher-safe
Ignition system	Electronic
Baking drawer (140° to 450°)	●
Dual-element bake	●
Removable drawer liner	●
Oven racks	3
Six embossed rack positions	●
	Stainless steel wrap
	Porcelain enamel
Backguard	●
Interior oven light	●
In-oven broiling	●
<b>Appearance</b>	
Color appearance*	SS WW/BB
Frameless oven door	Stainless steel
Easy clean oven door	White glass/Black glass
Oven door with window	Big ClearView
Stainless appearance knobs	GE Profile premium
Oven door handle	Sculptured
	Sculptured stainless
	Sculptured white/
	Sculptured black
Baking drawer handle	●
Black gloss oven interior	●
<b>Weights &amp; Dimensions</b>	
Overall oven interior dimensions (WxHxD in inches)	24 x 19 x 20-5/8
Approx. shipping wt. (lbs.)	245
<b>Power/Ratings</b>	
	(1) 17.0/11.0
	(1) 10.0/8.0
	(1) 11.0/9.1
	(1) 5.0/5.0
	(1) 9.1/8.0
Top burners (000's BTUs) Nat./LP	2585W
	3410W
Range electrical wattage	208/240V, 60Hz, 40A
Range electrical rating**	●
LP conversion kit (included.)	●

\*SS = Stainless steel with black accents, WW = White with white glass door, BB = Black with black glass door.  
\*\*15A requires a dedicated circuit.

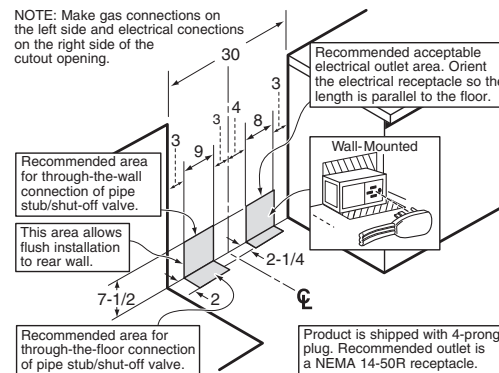
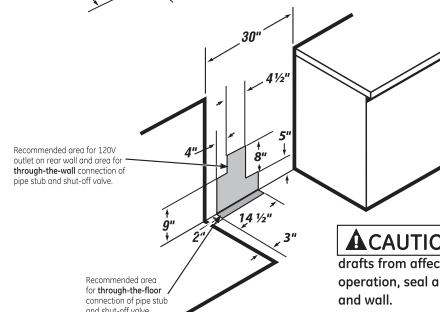
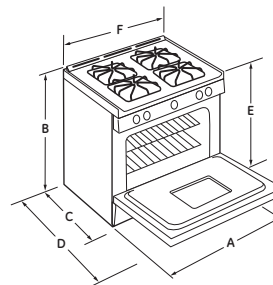
Factory set for Natural Gas. A set of LP orifices is included with each range for LP conversion.

## Dimensions (in inches)

Model	A	B	C	D	E	F
P2B930	30	47-3/16	29-3/4	46-7/8	36-1/4± 1/4	F
C2S985	30	37-1/4± 1/4	26-1/2	47	36-1/4± 1/4	30

**Optional gas range accessory drip pans for sealed and standard burner models** (Available at additional cost) To order these accessory drip pans, call toll-free 800-626-2002.

**Installation Information:** Before installing, consult installation instructions packed with product for current dimensional data. There must be a minimum of 30" between unprotected cabinets above a free-standing gas range and countertops.



All GE ranges are equipped with an Anti-Tip device. The installation of this device is an important, required step in the installation of the range.

Gas self-clean range Anti-Tip bracket (part no. 205C1714P001)  
P2B930

Above illustrations intended for dimensional reference only. Refer to photography for actual product appearance.

See page 195 for warranty information.

# 30" self-clean gas ranges

	GE Profile™							GE®	
	Sealed burner							Sealed burner	
	PGB995SET PGB995DET	PGB980SET	PGB935SET	PGB930SET PGB930DET	PGB915SET	PGB910SET PGB910DET	PGB900SET PGB900DET	JGB870SET JGB870DET	JGB840SET
<b>Capacity</b>									
Oven capacity (cu. ft.) (upper/lower)	Double oven 2.4/4.3	5.4	5.4	5.4	5.4	5.4	5.4	Double oven 2.4/4.3	5.0
Baking drawer capacity (cu. ft.)		1.0	1.0	1.0					1.0
<b>Features</b>									
Oven cleaning	Self-clean	Self-clean	Self-clean	Self-clean	Self-clean	Self-clean	Self-clean	Self-clean	Self-clean
Gas-on-glass ceramic cooktop									
Deep-recessed cooktop	●	Stainless steel	Stainless steel	●	Stainless steel	●	●	●	Stainless steel
Cooktop burners	Sealed	Sealed	Sealed	Sealed	Sealed	Sealed	Sealed	Sealed	Sealed
Tri-ring burner		(1) 19,000 BTU	(1) 19,000 BTU	(1) 19,000 BTU					
Tri-bridge burner		(1) 19,000 BTU							
PowerBoil™ burner (Nat.)	(1) 17,000 BTU				(1) 17,000 BTU	(1) 17,000 BTU	(1) 17,000 BTU	(1) 17,000 BTU	(1) 17,000 BTU
Precise Simmer burner (Nat.)	(1) 5,000 BTU/ 140° simmer	(1) 5,000 BTU/ 140° simmer	(1) 5,000 BTU/ 140° simmer	(1) 5,000 BTU/ 140° simmer	(1) 5,000 BTU/ 140° simmer	(1) 5,000 BTU/ 140° simmer	(1) 5,000 BTU/ 140° simmer	(1) 5,000 BTU/ 140° simmer	(1) 5,000 BTU/ 140° simmer
High-output burner (Nat.)	(1) 11,000 BTU		(1) 11,000 BTU	(1) 11,000 BTU	(1) 11,000 BTU	(1) 11,000 BTU	(1) 11,000 BTU	(1) 11,000 BTU	(1) 12,000 BTU
All-purpose burners (Nat.)	(1) 9,100 BTU	(2) 9,100 BTU	(1) 9,100 BTU	(1) 9,100 BTU	(1) 9,100 BTU	(1) 9,100 BTU	(1) 9,100 BTU	(1) 9,100 BTU	(1) 9,500 BTU
Center oval burner	(1) 10,000 BTU	(1) 5,000 BTU	(1) 10,000 BTU	(1) 10,000 BTU	(1) 10,000 BTU	(1) 10,000 BTU		(1) 6,000 BTU	(1) 10,000 BTU
Center round burner							(1) 5,000 BTU		
Griddle	Reversible	Chef's	Reversible	Reversible	Reversible	Reversible		Reversible	Reversible
Valves (degree of turn)	270	270	270	270	270	270	270	270	270
TrueTemp™ oven system	●	●	●	●	●	●	●	●	●
Convection Bake	Lower	●	●	●	●	●	●	Lower	●
Auto Recipe™ conversion	●	●	●	●	●	●	●	●	●
QuickSet oven controls	Glass touch QuickSet VI	QuickSet VI backlit glass touch	QuickSet VI glass touch	QuickSet VI glass touch	QuickSet V DigiPad	QuickSet V DigiPad	QuickSet V DigiPad	QuickSet V DigiPad	QuickSet V DigiPad
Oven control setting	DigiPad	DigiPad	DigiPad	DigiPad	DigiPad	DigiPad	DigiPad	DigiPad	DigiPad
Auto self-clean	●	●	●	●	●	●	●	●	●
Electronic oven control	●	●	●	●	●	●	●	●	●
Delay bake	●	●	●	●	●	●	●	●	●
Hi/Low broil	●	●	●	●	●	●	●	●	●
Electronic clock and timer	●	●	●	●	●	●	●	●	●
Automatic oven timer	●	●	●	●	●	●	●	●	●
Audible preheat signal	●	●	●	●	●	●	●	●	●
Oven meat probe	●	●	●	●	●	●	●	●	●
Auto oven shut-off	●	●	●	●	●	●	●	●	●
Certified Sabbath mode	●	●	●	●	●	●	●	●	●
Gas cooktop lock-out	●	●	●	●	●	●	●	●	●
Oven lock-out capability	●	●	●	●	●	●	●	●	●
One-piece upswept cooktop	●	●	●	●	●	●	●	●	●
Cooktop grates	Matte black heavy-cast	Matte black heavy-cast	Matte black heavy-cast	Matte black heavy-cast	Matte black heavy-cast	Matte black heavy-cast	Matte black heavy-cast	Matte black heavy-cast	Matte black heavy-cast
Continuous grates	Dishwasher-safe	Dishwasher-safe	Dishwasher-safe	Dishwasher-safe	Dishwasher-safe	Dishwasher-safe	Dishwasher-safe	Dishwasher-safe	Dishwasher-safe
Ignition system	Electronic	Electronic	Electronic	Electronic	Electronic	Electronic	Electronic	Electronic	Electronic
Baking drawer (140° to 450°)		●	●	●					
Dual-element bake		●	●	●					
Removable drawer liner		●	●	●					
Oven racks	2 heavy-duty and 1 roller rack	3	3	3	2	2	2	3	2
Backguard	Stainless steel wrap Porc.-enam.	Stainless steel wrap	Stainless steel wrap	Stainless steel wrap Porc.-enam.	Stainless steel wrap	Stainless steel wrap Porc.-enam.	Stainless steel wrap Porc.-enam.	Stainless steel wrap Porc.-enam.	Stainless steel wrap
Interior oven light	●	2	2	2	●	●	●	●	●
In-oven broiling	●	●	●	●	●	●	●	●	●
<b>Appearance</b>									
Color appearance*	SS WW/BB	SS	SS	SS WW/BB	SS	SS WW/CC/BB	SS WW/BB	SS WW/BB	SS
Frameless oven door	Stainless steel White glass/Black glass	Stainless steel	Stainless steel	Stainless steel White glass/ Black glass	Stainless steel	Stainless steel White glass/ Bisque glass/ Black glass	Stainless steel White glass/ Black glass	Stainless steel White glass/ Black glass	Stainless steel
Easy clean oven door	●	●	●	●	●	●	●	●	●
Oven door with window	Big ClearView™	Big ClearView	Big ClearView	Big ClearView	Big ClearView	Big ClearView	Big ClearView	Big ClearView	Big ClearView
Stainless appearance knobs	GE Profile premium	GE Profile premium	GE Profile premium	GE Profile premium	GE Profile premium	GE Profile premium	GE Profile premium	GE Profile premium	GE Profile premium
Oven door handle	Sculptured	Sculptured	Sculptured	Sculptured	Sculptured	Sculptured	Sculptured	Sculptured	Designer-style
Baking drawer/ Warming drawer/ Storage drawer handle		Sculp. stainless	Sculp. stainless	Sculp. stainless Sculp. white/ Sculp. black	Sculp. stainless	Sculp. stainless Sculp. white/ Sculp. bisque/ Sculp. black	Sculp. stainless Sculp. white/ Sculp. black		D-shaped stainless
Black glass oven interior	●	●	●	●	●	●	●	●	●
<b>Weights &amp; Dimensions</b>									
Overall oven interior dimensions (WxHxD in inches)	Upper: 24 x 9-1/8 x 18-7/8 Lower: 24 x 15 x 20-5/8	← 24 x 19 x 20-5/8 →					Upper: 24 x 9-1/8 x 18-7/8 Lower: 24 x 15 x 20-5/8	24 x 19 x 19	
Approx. shipping wt. (lbs.)	225	250	250	235	230	230	230	225	225
<b>Power/Ratings</b>									
Top burners (000's BTUs) Nat/LP	(1) 17.0/11.0 (1) 11.0/10.0 (1) 9.1/9.1 (1) 5.0/5.0 (1) 10.0/8.0	(1) 19.0/15.0 (1) 5.0/5.0 (1) 11.0/9.1 (1) 5.0/5.0 (1) 9.1/9.1	(1) 19.0/15.0 (1) 11.0/10.0 (1) 9.1/9.1 (1) 5.0/5.0 (1) 10.0/8.0	(1) 19.0/15.0 (1) 11.0/10.0 (1) 9.1/9.1 (1) 5.0/5.0 (1) 10.0/8.0	(1) 17.0/11.0 (1) 11.0/10.0 (1) 9.1/9.1 (1) 5.0/5.0 (1) 10.0/8.0	(1) 17.0/11.0 (1) 11.0/10.0 (1) 9.1/9.1 (1) 5.0/5.0 (1) 10.0/8.0	(1) 17.0/11.0 (1) 11.0/10.0 (1) 9.1/9.1 (1) 5.0/5.0 (1) 10.0/8.0	(1) 17.0/11.0 (1) 11.0/10.0 (1) 9.1/9.1 (1) 6.0/6.0 (1) 5.0/5.0	(1) 17.0/11.0 (1) 12.0/10.0 (1) 10.0/9.5 (1) 9.5/8.0 (1) 5.0/5.0
Broiler (000's BTUs) Nat/LP	Upper: 10/10 Lower: 1150 watts	← 16.0/16.0 →					Upper: 10/10 Lower: 1150 watts	16.0/16.0	
Bake (000's BTUs) Nat/LP	Upper: 12/10 Lower: 160/13.5	← 13.5/12.0 →					Upper: 12/10 Lower: 160/13.5	13.5/12.0	
Gas range electrical rating**	← 120V, 60Hz, 15A →			← 120V, 60Hz, 9A →			120V, 60Hz, 5A	120V, 60Hz, 9.9A	120V, 60Hz, 5A
LP conversion kit (includ.)	●	●	●	●	●	●	●	●	●

\*SS = Stainless steel (with black/metallic accents on select models), WW = White with white glass door, CC = Bisque with bisque glass door, BB = Black with black glass door.

\*\*15A requires a dedicated circuit.

Factory set for Natural Gas. A set of LP orifices is included with each range for LP conversion.



GE									
Sealed burner									
	JGB428SER	JGB810SET JGB810DET	JGB600SET JGB600DET	JGB296SET JGB296DET	JGB282SET JGB282DET	JGB281SER JGB281DER	JGBP27DEM	JGB250SET JGB250DET	
ADA-compliant							●		
<b>Capacity</b>									
Oven capacity (cu. ft.)	5.0	5.0	5.0	5.0	5.0	5.0	4.8	4.8	
<b>Features</b>									
Oven cleaning	Self-clean	Self-clean	Self-clean	Self-clean	Self-clean	Self-clean	Self-clean	Self-clean	
Deep-recessed cooktop	●	Stainless steel	●	●	●	●			
Cooktop burners	Sealed	Sealed	Sealed	Sealed	Sealed	Sealed	Sealed	Sealed	
PowerBoil burner (Nat.)	(1) 15,000 BTU	(1) 17,000 BTU	(1) 17,000 BTU	(1) 16,500 BTU	(1) 15,000 BTU	(1) 15,000 BTU			
High-output burner	(1) 11,000 BTU	(1) 12,000 BTU	(1) 11,000 BTU	(1) 11,000 BTU	(1) 11,000 BTU	(1) 11,000 BTU		12,500 BTU	
Precise Simmer burner (Nat.)	(1) 5,000 BTU/ 140° simmer	(1) 5,000 BTU/ 140° simmer	(1) 5,000 BTU/ 140° simmer	(1) 5,000 BTU/ 140° simmer	(1) 5,000 BTU/ 140° simmer	(1) 5,000 BTU/ 140° simmer		(1) 5,000 BTU/ 140° simmer	
All-purpose burners (Nat.)	(1) 9,100 BTU	(1) 9,100 BTU	(1) 9,100 BTU	(1) 9,500 BTU	(1) 9,500 BTU	(1) 9,500 BTU	4) 9,500 BTU	(2) 9,500 BTU	
Center oval burner		(1) 10,000 BTU	(1) 6,000 BTU						
Center round burner				(1) 5,000 BTU	(1) 5,000 BTU				
Griddle		Reversible							
Valves (degree of turn)	270	270	270	270	270	270	140	270	
TrueTemp oven system	●	●	●	●	●	●			
Convection Bake		●	●	●					
Auto Recipe conversion		●	●	●					
Electronic controls	●	●	●	●	●	●			
QuickSet oven controls	QuickSet IV	QuickSet V	QuickSet V	QuickSet V	QuickSet IV	QuickSet IV		QuickSet III	
Oven control setting	Slew	DigiPad	DigiPad	DigiPad	Slew	Slew			
Electronic oven control	●	●	●	●	●	●		●	
Delay bake	●	●	●	●	●	●			
Auto self-clean	●	●	●	●	●	●		●	
Electronic clock and timer	●	●	●	●	●	●		●	
Automatic oven timer	●	●	●	●	●	●		●	
Audible preheat signal		●	●	●	●	●		●	
Auto oven shut-off	●	●	●	●	●	●		●	
Certified Sabbath mode	●	●	●	●	●	●		●	
One-piece upswept cooktop	●	●	Porc.-enam.	Porc.-enam.	Porc.-enam.	Porc.-enam.	Porc.-enam.	Porc.-enam.	
Porcelain-enameled one-piece drip pans	●	●					Opt. access.	Opt. access.	
Cooktop grates	Matte black hvy.-cast	Matte black hvy.-cast	Matte black hvy.-cast	Matte black hvy.-cast	Matte black hvy.-cast	Matte black hvy.-cast	Grey dlx. porc.-steel	Black dlx. porc.-steel Black dlx. porc.-steel	
Continuous grates	Dishwasher-safe	Dishwasher-safe	Dishwasher-safe	Dishwasher-safe	Dishwasher-safe	Dishwasher-safe		Grey dlx. porc.-steel	
Square grates							●	●	
Ignition system	Electronic	Electronic	Electronic	Electronic	Electronic	Electronic	Electronic	Electronic	
Oven racks	2	2	2 self-clean	2	2	2	2	2	
Backguard	Stainless steel wrap	Stainless steel wrap Porc.-enam.	Stainless steel wrap Porc.-enam.	Stainless steel overlay Porc.-enam.	Stainless steel overlay Porc.-enam.	Stainless steel overlay Porc.-enam.	Porc.-enam.	Stainless steel overlay Porc.-enam.	
Interior oven light	●	●	●	●	●	●	●	●	
Storage drawer	●	●	●	●	●	●	●	●	
In-oven broiling	●	●	●	●	●	●	●	●	
<b>Appearance</b>									
Color appearance*	SS	SS WW/CC/BB	SS WW/BB	SS WW/BB	SS WW/BB	SS WW/CC/BB	WW	SS SA WW/BB	
Frameless oven door	Stainless steel	Stainless steel White glass/Bisque glass/Black glass	Stainless steel White glass/ Black glass	Stainless steel White glass/ Black glass	Stainless steel White glass/ Black glass	Stainless steel White glass/Bisque glass/Black glass	White glass	Stainless steel Silver White glass/ Black glass	
Stainless appearance knobs	GE deluxe	GE deluxe	GE deluxe	GE deluxe	GE deluxe	GE deluxe	Big hearth	Big hearth	
Oven door with window	Big hearth	Big hearth	Big hearth	Big hearth	Big hearth	Big hearth	Big hearth	Big hearth	
Designer-style handle	●	●	●	●	●	●	●	●	
Storage drawer handle	Recessed Stainless	Recessed stainless Recessed	Recessed stainless Recessed	Recessed stainless Recessed	Recessed stainless Recessed	Recessed stainless Black Recessed	Recessed	Recessed stainless Recessed black Recessed	
<b>Weights &amp; Dimensions</b>									
Overall oven interior dimen. (WxHxD in inches)	← 24 x 19 x 19 →						← 24 x 18-1/2 x 19 →		
Approx. shipping wt. (lbs.)	225	225	225	210	215	215	210	215	
<b>Power/Ratings</b>									
Top burners (000's BTUs) Nat/LP	(1) 15.0/11.0 (1) 11.0/10.0 (1) 5.0/5.0 (1) 9.1/9.1	(1) 17.0/11.0 (1) 12.0/10.0 (1) 10.0/9.5 (1) 9.5/8.0 (1) 5.0/5.0	(1) 17.0/11.0 (1) 11.0/10.0 (1) 9.1/9.1 (1) 6.0/6.0 (1) 5.0/5.0	(1) 16.5/11.0 (1) 11.0/10.0 (2) 5.0/5.0 (1) 9.5/9.5	(1) 15.0/11.0 (1) 11.0/10.0 (2) 5.0/5.0 (1) 9.5/9.5	(1) 15.0/11.0 (1) 11.0/10.0 (1) 5.0/5.0 (1) 9.5/9.5	(1) 15.0/11.0 (1) 11.0/10.0 (1) 5.0/5.0 (1) 9.5/9.5	(4) 9.5/9.5	(1) 12.5/11.0 (1) 11.0/12.5 (2) 9.5/9.5 (1) 5.0/5.0
Broiler/Bake (000's BTUs) Nat/LP	← 16.0/16.0 13.5/12.0 →					← 16.0/16.0 12.5/12.0 →			
Gas range electrical rating LP conversion kit (incl.)	← 120V, 60Hz, 5A →								

\*SS = Stainless steel (with black/metallic accents on select models), SA = Silver, BS = CleanSteel appearance with black accents, WW = White with white glass door, CC = Bisque with bisque glass door, BB = Black with black glass door.

Factory set for Natural Gas. A set of LP orifices is included with each range for LP conversion.

# 30" and 24" standard-clean gas ranges

GE®						
	Sealed-burner models		Standard-burner models			
	JGBS23SET JGBS23DET	JGBS18SET JGBS18GET JGBS18DET	JGBS07SET JGBS07DET	JGBS04BET	JGBS14PCD	JGAS02SEN
ADA-compliant			●	●	●	●
<b>Capacity</b>						
Oven capacity (cu. ft.)	4.8	4.8	4.8	4.8	4.8	3.0
<b>Features</b>						
Oven cleaning	Steam clean	Standard-clean	Standard-clean	Standard-clean	Standard-clean	Standard-clean
Cooktop burners	Sealed	Sealed	Std./twin	Std./twin	Std./twin	
High-output burner	(1) 12,500					
Precise Simmer burner (Nat.)	(1) 5,000 BTU 140° simmer					
All-purpose burners (Nat.)	(2) 9,500	(4) 9,500 BTU	(4) 9,100	(4) 9,100	(4) 9,100	(4) 9,100
Center oval burner						
Valves (degree of turn)	140	140	140	140	140	140
Electronic clock and timer	●	●				
Electronic oven controls	QuickSet III	QuickSet III				
Delay bake						
Porcelain-enameled cooktop	One-piece upswept	One-piece upswept	●	●	●	●
Lift-up cooktop			●	●	●	●
Easy-clean porcelain-enameled subtop			●	●	●	●
One-piece drip pans	Opt. access.	Opt. access.	Opt. access.	Opt. access.	Opt. access.	Opt. access.
Cooktop square grates	Deluxe porcelain-steel	Black Black Grey/Taupe/Black deluxe porcelain-steel	Black Grey/Taupe/Black standard porcelain-steel	Black standard Porcelain-steel	Black standard Porcelain-steel	Black heavy-cast
Ignition system	Electronic	Electronic	Electronic	Electronic	Battery spark pilot*	Electronic
Oven racks	2	2	2	2	2	2
Two-piece broiler pan	●	●	●	●	●	●
Porcelain-enameled backguard	●	●	●	●	●	
Interior oven light	●	●	●			
Broiler drawer	Slide-out	Slide-out	●	●	●	●
<b>Appearance</b>						
Color appearance**	SS WW/CC/BB	SS SA WW/CC/BB	SA WW/CC/BB	WH	WW	SS
Frameless oven door	Stainless steel White glass/ Bisque glass/ Black glass	Stainless steel Silver White glass/ Bisque glass/ Black glass	Silver White/Bisque/Black Color-matched	Black glass	Color-matched	Stainless steel
Oven door with window	Big hearth	Big hearth	ClearView™			
Designer-style handle	●	●	●	●		
Broiler drawer handle	Recessed stainless Recessed	Recessed black Recessed black Recessed	Recessed stainless Recessed	Recessed	Recessed	Recessed stainless
<b>Weights &amp; Dimensions</b>						
Overall oven interior dimen. (WxHxD in inches)	← 24 x 18-1/2 x 19 →					20 x 15 x 16-1/4
Approx. shipping wt. (lbs.)	180	175	165	165	165	142
<b>Power/Ratings</b>						
Top burners (000's BTUs) Nat/LP	(1) 12.5/11.0 (1) 5.0/5.0 (2) 9.5/9.5	(4) 9.5/8.0	(4) 9.1/8.0	(4) 9.1/8.0	(4) 9.1/8.0	(4) 9.1/8.0
Broiler/Bake (000's BTUs) Nat/LP	← 18.0/16.5 →					13.0/13.0
Gas range electrical rating†	← 120V, 60Hz, 5A →				9-volt battery	120V, 60Hz, 5A
LP conversion kit (included)	●	●	●	●	●	●

\*JGBS14PCD has a battery spark pilot ignition.

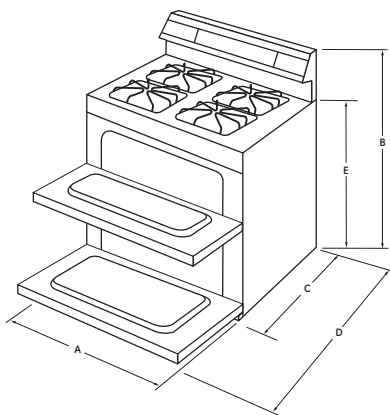
†Factory set for Natural Gas. A set of LP orifices is included with each range for LP conversion.

\*\*SA = Silver, SS = Stainless steel (with black/metallic accents on select models), WW = White with white door, CC = Bisque with bisque door,

BB = Black with black door, WH = White with black door.

†Electrical rating not applicable to standing pilot models.

### 30" free-standing gas double oven ranges installation information

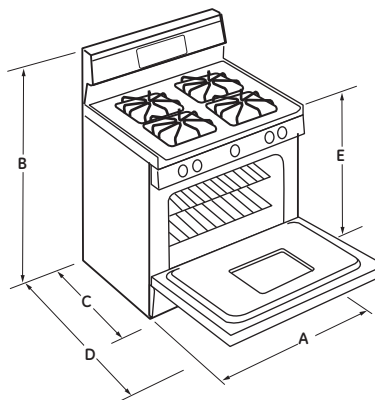


#### Dimensions (in inches)

Model	A	B	C*	D	E
PGB995	30	47-3/4	26-3/4	44	36-1/4± 1/4
JGB870	30	47-3/4	26-3/4	44	36-1/4± 1/4
PGB980	30	47-3/16	26-3/4	46/7/8	36-1/4± 1/4
PGB935	30	47-3/16	26-3/4	46/7/8	36-1/4± 1/4
PGB930	30	47-3/16	26-3/4	46/7/8	36-1/4± 1/4
PGB915	30	47-3/16	26-3/4	46/7/8	36-1/4± 1/4
PGB910	30	47-3/16	26-3/4	46/7/8	36-1/4± 1/4
PGB900	30	47-3/16	26-3/4	46/7/8	36-1/4± 1/4
JGB840	30	47	26-5/8	47	36-1/4± 1/4
JGB428	30	47	26-5/8	47	36-1/4± 1/4
JGB810	30	47	26-5/8	47	36-1/4± 1/4
JGB600	30	47	26-5/8	47	36-1/4± 1/4
JGB296	30	46-1/8	26-1/4	46-3/8	36-1/4± 1/4
JGB282	30	46-1/8	26-1/4	46-3/8	36-1/4± 1/4
JGB281	30	46-1/8	26-1/4	46-3/8	36-1/4± 1/4
JGBP27	30	46-1/8	26-1/4	46-3/8	36-1/4± 1/4
JGB250	30	46-1/8	26-1/4	46-3/8	36-1/4± 1/4

\*Dimension from wall to the front of closed door handle is 29-3/4" on models PGB995/980/935/930/915/910/900, JGB870/840/428/810/600 and 28-5/8" on models JGB296/282/281/250 and JGBP28/27.

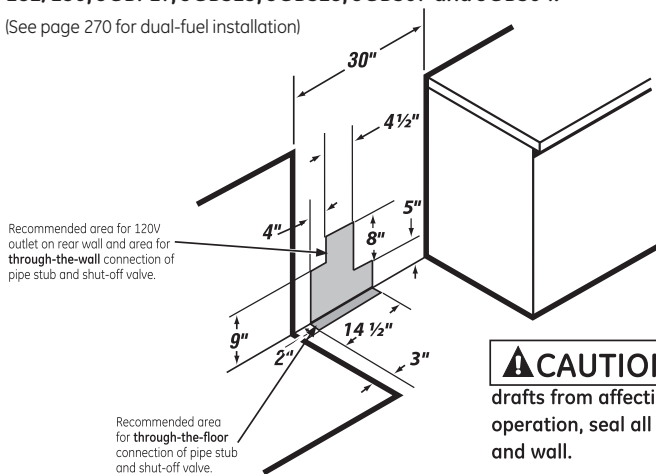
### 30" self-clean gas ranges installation information



### Installation information (in inches)

Models PGB995/980/935/930/915/910/900, JGB870/840/428/810/600/296/282/281/250, JGBP27, JGBS23, JGBS18, JGBS07 and JGBS04.

(See page 270 for dual-fuel installation)



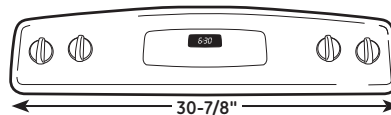
**CAUTION** To prevent drafts from affecting burner operation, seal all openings in floor and wall.

### Optional gas range accessory drip pans for sealed and standard burner models

(Available at additional cost) To order these accessory drip pans, call toll-free 800-626-2002.

#### Installation Information:

Before installing, consult installation instructions packed with product for current dimensional data. There must be a minimum of 30" between unprotected cabinets above a free-standing gas range and countertops.

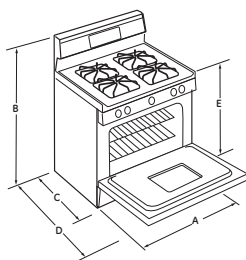


### All 30" GE gas and electric range backguards are 30-7/8" wide.\*

Note: 30" ranges conform to UL requirements for 0" spacing from adjacent walls below countertops. To reduce possible scorching of walls, engineering recommends a minimum of 1-1/2" spacing to allow for possible extended, high-heat, no-load heating element operation.

\*Except these models: JGBS07, JGBS04, all GE Profile™ free-standing electric and gas ranges. Fits most countertop backsplash applications. Consult use and care manual for detailed installation instructions.

### 30" standard-clean gas ranges installation information



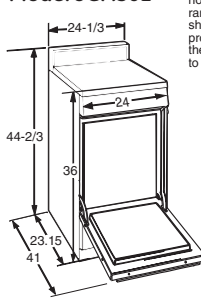
#### Dimensions (in inches)

Model	A	B	C*	D	E
JGBS23	30	46-1/8	26-1/4	46-3/8	36-1/4± 1/4
JGBS18	30	46-1/8	26-1/4	46-3/8	36-1/4± 1/4
JGBS14	30	46-7/8	25-5/16	46-1/4	36-1/4± 1/4
JGBS07	30	46-7/8	26-1/4	46-1/4	36-1/4± 1/4
JGBS04	30	46-7/8	25-5/16	46-1/4	36-1/4± 1/4

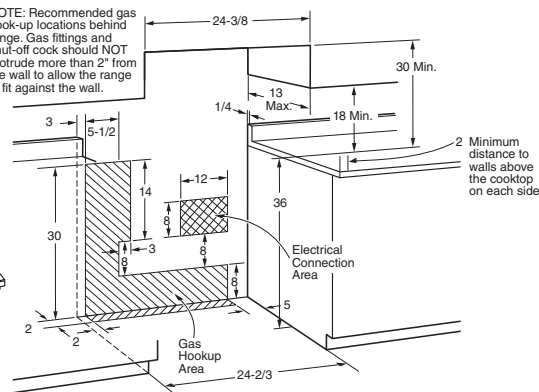
\*Dimension from wall to front of closed door handle is 29-1/4" on models JGBS23/18/07/04. Depth to front edge of cooktop is 25-1/4"

### Installation information (in inches)

#### Model JGAS02



NOTE: Recommended gas hook-up locations behind range. Gas fittings and shut-off cock should NOT protrude more than 2" from the wall to allow the range to fit against the wall.



All GE ranges are equipped with an Anti-Tip device. The installation of this device is an important, required step in the installation of the range.

**Gas self-clean range Anti-Tip bracket (part no. 205C1714P001)**  
PGB995/980/935/930/915/910/900, JGB870/840/428/810/600/296/282/281/250/JGBP28/27/25.

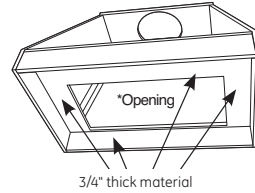
# Custom hood inserts

	ZVC36L	ZVC30L
ADA-compliant	●	●
HVI certified	●	●
<b>Features &amp; Controls</b>		
Control type	Electronic pushbutton	Electronic pushbutton
Control location	Hidden/Remote	Hidden/Remote
Auto-on heat-sensor feature	Yes	Yes
Number of fan speeds	4	4
Number of blowers	1	1
<b>Filters</b>		
Number of filters	2	2
Included grease filter type	Metal mesh	Metal mesh
Filter cleaning	Dishwasher-safe	Dishwasher-safe
<b>Lighting</b>		
Number of cooktop lights	2	2
Lighting control	Off/4-levels	Off/4-levels
Type of lighting	Halogen	Halogen
Light bulb(s)	Included	Included
<b>Installation</b>		
Venting type	Vented	Vented
Exhausted direction	Top	Top
Round duct diameter (inches)	8	8
Maximum equivalent duct length (ft.)	100	100
Custom insert liner	Included	Included
<b>CFM/Sones Ratings</b>		
Top round (high speed)	640/14.0	640/14.0
Top round (working speed)	250/3.5	250/3.5
<b>Appearance</b>		
Color appearance*	SS	SS
<b>Weights &amp; Dimensions</b>		
Approx. shipping wt. (lbs.)	77	69
Net weight (lbs.)	30	30
Cabinet width compatibility (in.)	36	30
Overall - hood and liner (WxHxD in inches)	34-1/2 x 18 x 21-1/4	28-1/2 x 18 x 21-1/4
Cutout dimensions - WxD (inches)	26-1/2 x 13	26-1/2 x 13
Liner height below cabinet (inches)	4	4
<b>Power/Ratings</b>		
Amp rating @ 120V	5.33	5.33
Amp rating @ 110V	4.9	4.9

\*SS = Stainless steel

## Dimensions and specifications (in inches)

### Custom insert liner

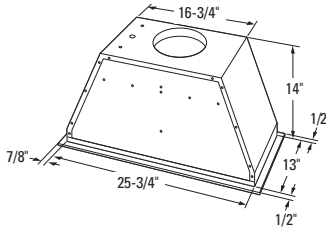


The custom canopy must be sized to fit the insert sleeve. Construct the canopy with an opening that is: 26"W x 13-3/16"D. The opening must be constructed of 3/4" thick material to allow the sleeve locking clips to engage.

### Custom cabinet opening

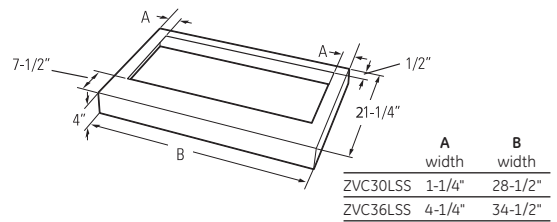
	width	depth
ZVC30LSS	26"	13-3/16"
ZVC36LSS	26"	13-3/16"

### The insert sleeve



The bottom edge of the insert sleeve has a 7/8"-wide flange on the sides and 1/2"-wide flange on the front and back.

### The supplied liner



A stainless steel liner is shipped with each hood insert. This non-combustible liner protects the underside of the canopy.

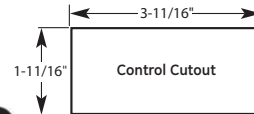
### Custom Liner

If you are not using the supplied liner, you may construct a custom non-combustible liner. Use the supplied liner as a template. The opening must be 26"W x 13-3/16"D. 3/4"-thick material must surround the opening to allow the sleeve locking clips to engage. The insert sleeve inside the cabinet should be positioned 1/2" from the rear wall so that the center of the 8" duct is 5-1/2" from the rear wall.

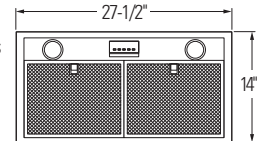
### Remote location for the control

The control may be removed from the hood and installed into a wall or countertop. A 30-ft. length of wire is supplied to accommodate most installations. A blanking plate covers the opening when the controls are removed. The overall size of the control is 4-1/4" wide and 2-1/4" deep.

We recommend that the cutout in granite or other hard surfaces be made before the countertop is installed.



### Outside dimensions

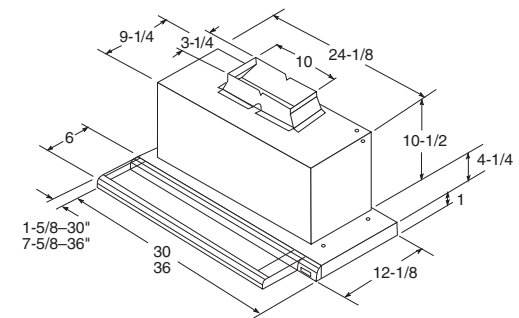


# Slide-out hoods

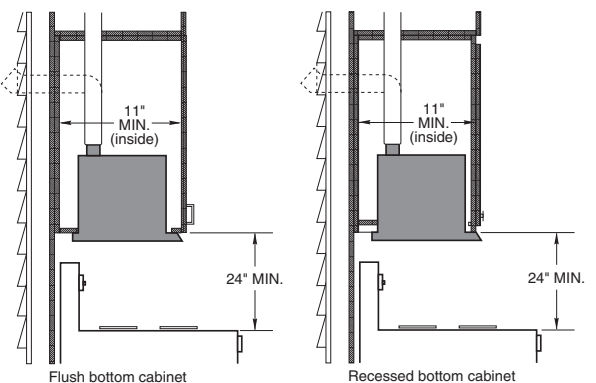
	GE Profile™			
	JV960SC	JV930SC	JV694S	JV394S
HVI certified	●	●	●	●
<b>Features &amp; Controls</b>				
Control type	Slider	Slider	Slider	Slider
Control location	Right side	Right side	Right side	Right side
Auto-on heat-sensor feature	Yes	Yes	Yes	Yes
Number of fan speeds	Variable	Variable	Variable	Variable
Number of blowers	1	1	1	1
<b>Filters</b>				
Number of filters	1	1	1	1
Included grease filter type	Metal mesh	Metal mesh	Metal mesh	Metal mesh
Filter cleaning	Soap & water	Soap & water	Soap & water	Soap & water
<b>Lighting</b>				
Number of cooktop lights	1	1	1	1
Lighting control	On/Off	On/Off	On/Off	On/Off
Type of lighting	Fluorescent (tube)	Fluorescent (tube)	Fluorescent (tube)	Fluorescent (tube)
Light bulb(s)	Included	Included	Included	Included
<b>Installation</b>				
Venting type	Vented	Vented	Vented	Vented
Exhaust direction	Top	Top	Top	Top
Rectangular duct size (inches)	3-1/4 x 10	3-1/4 x 10	3-1/4 x 10	3-1/4 x 10
Maximum equivalent duct length (ft.)	100	100	10	100
<b>CFM/Sones Ratings</b>				
Back rectangular (high speed)	320/4.5	320/4.5	320/4.5	320/4.5
Back rectangular (working speed)	110/<0.3	110/<0.3	110/<0.3	110/<0.3
<b>Appearance</b>				
Color appearance*	BR	BR	BB	BB
<b>Weights &amp; Dimensions</b>				
Approximate shipping weight (lbs)	39	37	39	37
Net weight (lbs)	34	32	34	32
Cabinet width compatibility (in.)	36	30	36	30
Overall dimensions - WxHxD (in.)	36 x 14-3/4 x 12-1/8			
<b>Power/Ratings</b>				
Amp rating @ 120V	3.70	3.70	3.70	3.70

\*BB = Black on black, BR = Brushed aluminum.

## Installation information (in inches)



## Dimensions (in inches)



**Installation information:** Before installing, consult Use & Care/installation instructions packed with product for current dimensional data.



# Telescopic downdraft systems

	GE Profile	
	PVB98ST PVB98DT	PVB94ST PVB94DT
ADA-compliant	●	●
HVI certified	●	●
California Title 24-compliant	●	●
<b>Features &amp; Controls</b>		
Control type	Electronic pushbutton	Electronic pushbutton
Control location	Remote	Remote
Number of fan speeds	4	4
Number of blowers	1	1
<b>Filters</b>		
Number of filters	2	2
Included grease filter type	Metal mesh	Metal mesh
Filter cleaning	Soap & water	Soap & water
<b>Installation</b>		
Venting type	Vented	Vented
Exhaust direction	Downdraft	Downdraft
Rectangular duct size (inches)	3-1/4 X 10	3-1/4 X 10
Round duct diameter (inches)	6	6
Maximum equivalent duct length (feet)	100	100
Optional remote blower mount	Capable	Capable
<b>CFM/Sones Ratings</b>		
Downdraft (high speed)	390/10.5	390/10.5
Downdraft (working speed)	170/2.5	170/2.5
<b>Appearance</b>		
Color appearance*	SS/BB	SS/BB
Top cover plate	Stainless steel/Black	Stainless steel/Black
Telescopic assembly	Stainless steel	Stainless steel
<b>Weights &amp; Dimensions</b>		
Approx. shipping wt. (lbs.)	74	69
Net weight (lbs.)	59	54
Cabinet width compatibility (inches)	36	30
Overall dimensions - HxDxW (inches)	27 x 9-1/2 x 36	27 x 9-1/2 x 30
Telescoping height (inches)	8.5	8.5
<b>Power/Ratings</b>		
Amp rating @ 120V	4.00	4.00
<b>Optional Accessories</b>		
Remote indoor blower kit	JXRB67	JXRB67

\*SS = Stainless steel, BB = Black on black.

**Note:** Approved for use with GE Profile and GE® electric and sealed burner gas cooktops.

Approved for use with the following GE Profile and GE® cooktops—36" and 30" electric models, 36" and 30" gas sealed burner models and 36" and 30" GE Profile induction models. Before installing, consult installation instructions packed with product for current dimensional data.

**Not approved for use with standard burner gas cooktops.**

**Note:** The countertop must be at least 26" deep with a flat surface area of 23-1/2" or more, front to back. In addition, other clearances to the front edge of the countertop must be considered.

**Note:** Dimensions shown are for reference only. Before cutting out countertop, refer to instructions packed with downdraft and cooktop.

**Note:** Installation in cabinets/countertops against the wall will not be possible in most applications. Against-the-wall installations are limited to dimension requirements. Refer to installation instructions packed with product for further details.

**JXRB67 Indoor Remote Accessory.** Optional accessory may be ordered for installation of motor and blower assembly in an indoor remote location.

**Installation Information:** Before installing, consult installation instructions packed with product for current dimensional data.

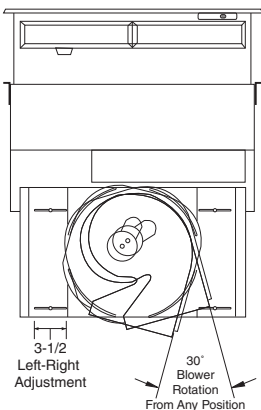
The vent is designed for a 3-1/4" x 10" duct size. A 3-1/4" x 10" rectangular to 6" round transition duct is available at your local building supply store.



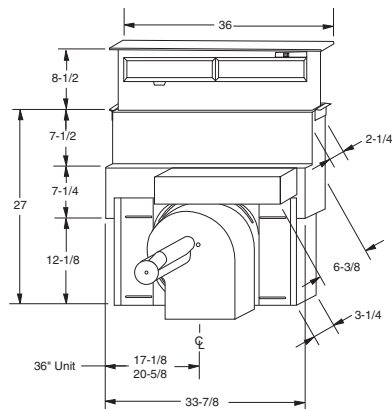
Listed by Underwriters Laboratories

## Overall dimensions (in inches)

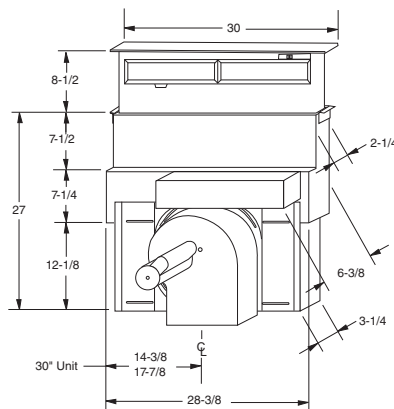
### Blower position



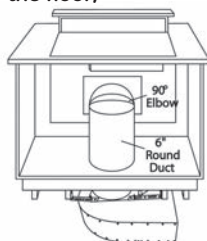
### Models PVB98 and PVB94



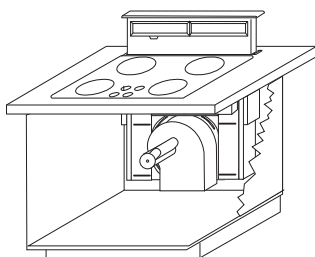
### Models PVB98 and PVB94



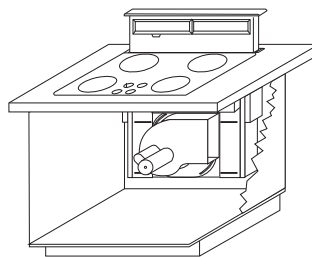
### Venting options (through the floor)



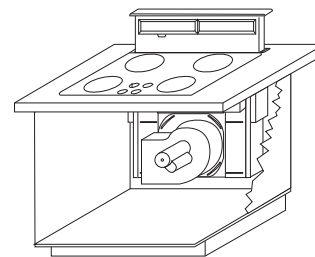
### In-cabinet discharge (down)



### In-cabinet discharge (right)



### In-cabinet discharge (left)



# 36" and 30" designer/commercial hoods

	GE Café™		GE Profile™				
	CV966T	CV936M	JV966D	JV936D	PV977N	PV976N	PV970N
ADA-compliant							
HVI certified	●	●	●	●	●	●	●
California Title 24-compliant	●	●	●	●	●	●	●
<b>Features &amp; Controls</b>							
Control type	Rotary Knobs	Rotary Knobs	Rotary Knobs	Rotary Knobs	PushButton	PushButton	PushButton
Control location	Hidden	Hidden	Hidden	Hidden	Front	Front	Front
Auto-On heat-sensor feature	No	No	No	No	Yes	Yes	Yes
Number of fan speeds	4	4	4	4	4	4	4
Number of blowers	1	1	1	1	1	1	1
<b>Filters</b>							
Number of filters	2	2	2	2	1	1	1
Included grease filter type	Metal mesh	Metal mesh	Metal mesh	Metal mesh	Metal mesh/Carbon	Metal mesh/Carbon	Metal mesh/Carbon
Filter cleaning	Dishwasher-safe	Dishwasher-safe	Dishwasher-safe	Dishwasher-safe	Dishwasher-safe/ Disposable	Dishwasher-safe/ Disposable	Dishwasher-safe/ Disposable
<b>Lighting</b>							
Number of cooktop lights	2	2	2	2	4	2	2
Lighting control	Off/High/Nite-Light	Off/High/Nite-Light	Off/High/Nite-Light	Off/High/Nite-Light	Off/Low/High	Off/Low/High	Off/Low/High
Type of lighting	Halogen	Halogen	Halogen	Halogen	Halogen	Halogen	Halogen
Light bulb(s)	Included	Included	Included	Included	Included	Included	Included
<b>Installation</b>							
Mounting	Wall	Wall	Wall	Wall	Island	Wall	Wall
Venting type	Vented	Vented	Vented	Vented	Convertible	Convertible	Convertible
Exhaust direction	Top	Top	Top	Top	Top	Top	Top
Round duct diameter (inches)	7	7	7	7	8	8	8
Maximum equivalent duct length (ft.)	100	100	100	100	100	100	100
<b>CFM/Sones Ratings</b>							
Top round (high speed)	590/7.5	590/7.5	590/7.5	590/7.5	450/7.0	450/7.0	450/7.0
Top round (working speed)	160/0.4	160/0.4	160/0.4	160/0.4	210/1.5	210/1.5	210/1.5
<b>Appearance</b>							
Color appearance*	SS	SS	SS	SS	SS	SS	SS
<b>Weights &amp; Dimensions</b>							
Approx. shipping wt. (lbs.)	77	68	77	68	110	75	68
Net weight (lbs)	60	54	60	54	100	68	60
Cabinet width compatibility (inches)	36	30	36	30	36	36	30
Overall dimensions -WxHxD (inches)	36 x 18 x 21	30 x 18 x 21	36 x 18 x 21	30 x 18 x 21	35-7/8 x 3-1/8 x 27-5/8	35-7/8 x 3-1/8 x 19-3/4	29-7/8 x 2-1/2 x 19-3/4
<b>Power/Ratings</b>							
Amp Rating @ 120V	3.90	3.90	3.90	3.90	4.10	4.10	4.10
<b>Optional Accessories</b>							
7" Round to 3-1/4" x 10", 90° rectangular duct transition	JXDW1	JXDW1	JXDW1	JXDW1	JXDW1	JXDW1	JXDW1
Duct cover kit	JXCHSS	JXCHSS	JXCHSS	JXCHSS			
Heavy-duty commercial filters	JXBF36SS	JXBF30SS	JXBF36SS	JXBF30SS			

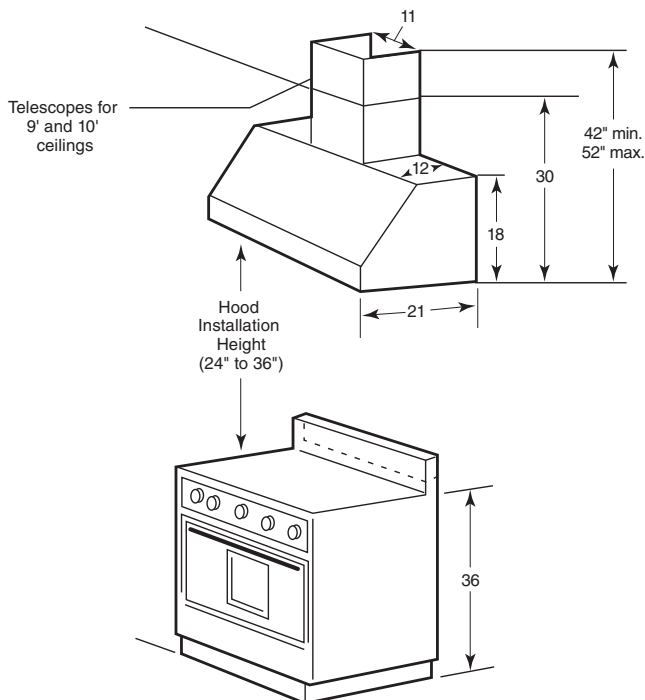
\*SS= Stainless steel.

## Optional kits for 36" designer hoods and 30" designer/commercial hoods CV966, CV936, JV966, JV936

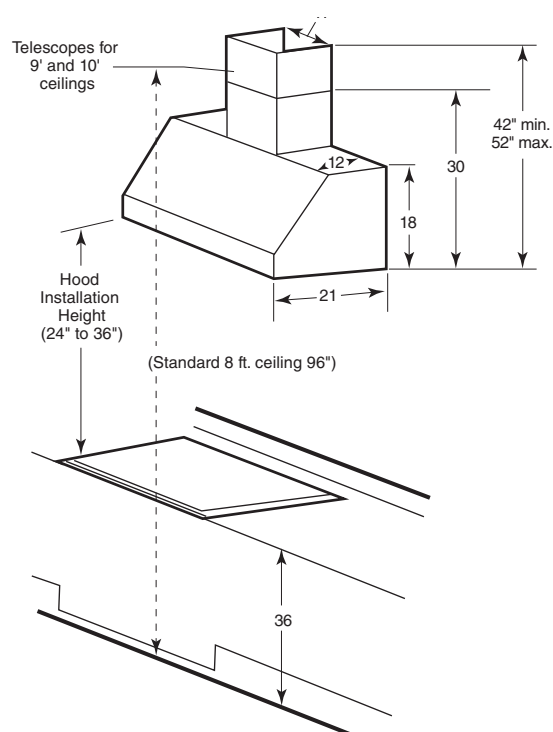
JXCHSS—Stainless Chimney Kit

JXDW1—7" round to 3-1/4" x 10" rectangular duct transition for rear wall discharge.

### Installed above a range (shown with optional chimney kit) Dimensions (in inches) CV966, CV936, JV966, JV936



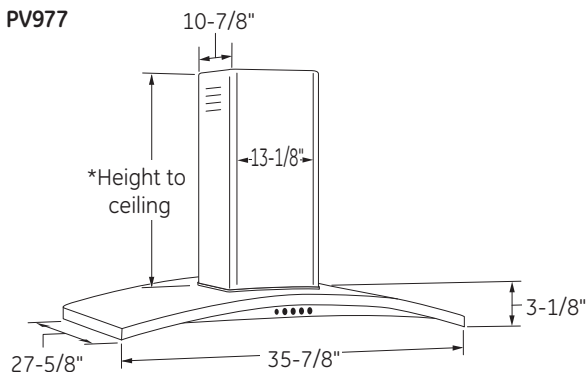
### Installed above a cooktop (shown with optional chimney kit) Dimensions (in inches) CV966, CV936, JV966, JV936



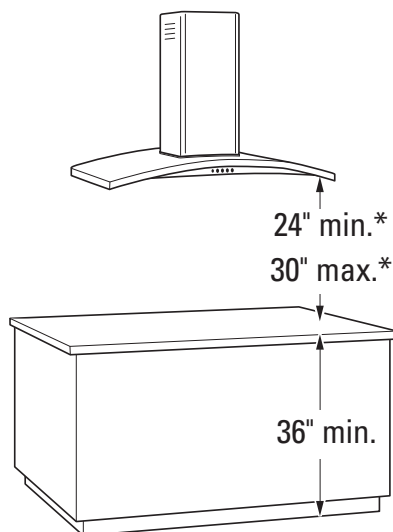
**Note:** Typical overhead cabinets are 12" deep. For cabinets of greater depth, place spacer of non-combustible material behind hood.

Above illustrations intended for dimensional reference only. Refer to photography for actual product appearance.

**Island mount  
PV977**



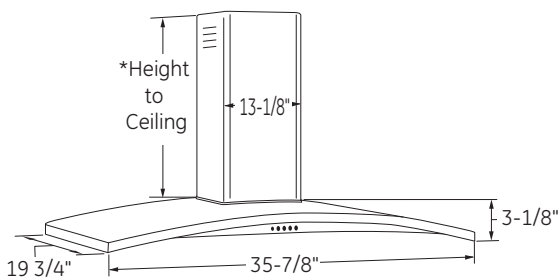
\*The supplied duct cover fits 7'11" to 9'10" ceiling heights (10' in recirculation mode).



\*Exact installation height depends on ceiling height.

**NOTE:** Installation height should be measured from the cooking surface to the bottom of the outer glass portion of the hood. This hood must be installed 24" min. and 30" max. above the cooking surface. The cooking surface should be at least 36" above the floor. This hood may be vented to the outdoors, or it can be installed for recirculating operation.

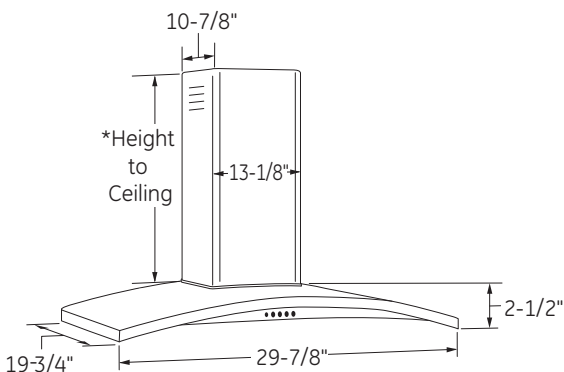
**PV976**



36" Models Require a 36"-Wide Opening

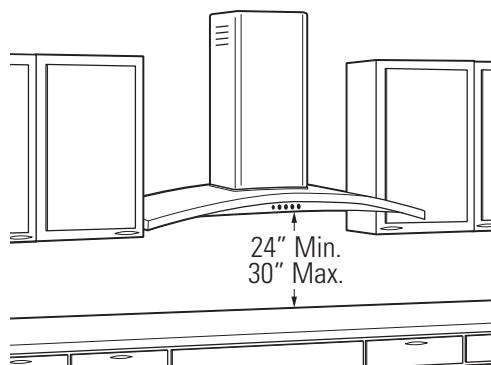
\*The Supplied Duct Cover Fits 7'11" to 9'10" ceiling heights (10' in recirculation mode)

**PV970**



30" Models Require a 30"-Wide Opening

\*The supplied duct cover fits 7'11" to 9'7" ceiling heights (10' in recirculation mode).



The vent hood must be installed 24" min. and 30" max. above the cooking surface. The hood installation height above the cooking surface depends upon ceiling height. The telescopic duct cover conceals the ductwork running from the top of the hood to the ceiling. The supplied duct cover is sized to reach 8' to 10' ceiling heights.

**NOTE:** Installation height should be measured from the cooking surface to the lowest part of the hood. This hood may be installed onto a wall and vented to the outdoors, or it can be installed for recirculating operation. All necessary parts for recirculating operation are supplied with the hood. No kits are required.

**Note:** Vent hoods should be of the same or greater width of the cooking surface.

**Installation information:** Before installing, consult installation instructions packed with product for current dimensional data.



Above illustrations intended for dimensional reference only. Refer to photography for actual product appearance.

See page 195 for warranty information.

# Hoods

	GE Profile™				GE®					
	High-performance				Deluxe			Standard		
30" Width	JV666H	JV636H	JV566H	JV536H	JVE40ST		JV348L			JV248P
36" Width	JV665H	JV635H	JV565H	JV535H	JVE40DT	JV367H	JV347H	JV338H	JV327H	JV247P
ENERGY STAR® Qualified					●					●
HVI certified	●	●	●	●	●	●	●	●		●
California Title 24-Compliant	●	●	●	●	●					
<b>Features &amp; Controls</b>										
Width	36"	30"	36"	30"	30"	36"	30"	30"	30"	24"
Control type	Rotary knobs	Rotary knobs	Push switches	Push switches	Push switches	Rotary knobs	Rotary knobs	Push switches	Push switches	Rotary knobs
Control location	Hidden	Hidden	Hidden	Hidden	Front	Front	Front	Front	Front	Front
Number of fan speeds	4	4	2	2	2	3	3	2	2	3
Number of blowers	1	1	1	1	1	1	1	1	1	1
<b>Filters</b>										
Number of filters	2	2	2	2	1	1	1	1	1	1
Included grease filter type	Metal mesh	Metal mesh	Metal mesh	Metal mesh	Metal mesh	Metal mesh/Carbon	Metal mesh/Carbon	Metal mesh	Carbon	Metal mesh/Carbon
Filter cleaning	Dishwasher-safe	Dishwasher-safe	Dishwasher-safe	Dishwasher-safe	Dishwasher-safe	Soap & water/Disposable	Soap & water/Disposable	Soap & water	Disposable	Soap & water/Disposable
<b>Lighting</b>										
Number of cooktop lights	2	2	2	2	2	1	1	1	1	1
Lighting control	Off/High/Nite-light	Off/High/Nite-light	Off/High/Nite-light	Off/High/Nite-light	On/Off	Off/High/Nite-light	Off/High/Nite-light	On/Off	On/Off	Off/High/Nite-light
Type of lighting	Halogen	Halogen	Halogen	Halogen	Fluorescent (CFL)	Incandescent	Incandescent	Incandescent	Incandescent	Incandescent
Light bulb(s)	Not included	Not included	Not included	Not included	Included	Not included	Not included	Not included	Not included	Not included
Light cover(s)	Included	Included	Included	Included	Included	Included	Included	Not included	Not included	Included
<b>Installation</b>										
Mounting	Vented	Vented	Convertible	Convertible	Convertible	Convertible	Convertible	Vented	Recirculating	Convertible
Venting type	Top/Rear	Top/Rear	Top/Rear	Top/Rear	Top/Rear	Top/Rear	Top/Rear	Top/Rear	Front	Top/Rear
Exhaust direction	3-1/4 x 10	3-1/4 x 10	3-1/4 x 10	3-1/4 x 10	3-1/4 x 10	3-1/4 x 10	3-1/4 x 10	3-1/4 x 10	3-1/4 x 10	3-1/4 x 10
Round duct diameter (inches)	7	7	7	7	7	7	7	7	7	7
Damper accessory (rectangular)	Included	Included	Included	Included	Included	Included	Included	Included	Included	Included
Maximum equivalent duct length (ft.)	65	65	65	65	65	65	65	65	65	65
<b>CFM/Sones Ratings</b>										
Back rectangular (high speed)	380/7.5	380/7.5	220/4.5	220/4.5	240/5.5	180/7.0	180/7.0	160/7.0		180/7.0
Back rectangular (working speed)	150/1.0	150/1.0	150/1.5	150/1.5	120/1.2					
Top round (HS)	390/7.0	390/7.0	240/4.5	240/4.5		200/6.0	200/6.0	170/6.0		200/6.0
Top round (WS)	160/0.8	160/0.8	160/2.0	160/2.0						
Top rectangular (HS)	350/8.5	350/8.5	220/4.5	220/4.5	210/6.0	180/6.0	180/6.0	160/6.0		180/6.0
Top rectangular (WS)	150/1.0	150/1.0	140/1.5	140/1.5	110/1.3					
<b>Appearance</b>										
Color appearance*	SS BB/WW	SS BB/WW	SS BB/CC/WW	SS BB/CC/WW	SS BB/WW	BB/WW	SS BB/CC/WW	BB/WW	BB/CC/WW	SS WW
<b>Weights &amp; Dimensions</b>										
Approximate shipping weight (lbs)	34	31	77	68	29	21	19	19	19	19
Net weight (lbs)	26	24	60	54	20	15	19	19	19	19
Overall dimensions - WxHxD (inches)	35-7/8 x 4-3/4 x 20	29-7/8 x 4-3/4 x 20	35-7/8 x 4-3/4 x 20	29-7/8 x 4-3/4 x 20	29-15/16 x 5-15/16 x 19-1/2	35-7/8 x 5-1/2 x 17-1/2	29-7/8 x 5-1/2 x 17-1/2	29-7/8 x 5-1/2 x 17-1/2	29-7/8 x 5-1/2 x 17-1/2	23-7/8 x 5-1/2 x 17-1/2
<b>Power/Ratings</b>										
Current rating amps @ 120V	2.50	2.50	1.40	1.40	1.00	2.50	2.50	2.50	2.50	2.50
<b>Optional Accessories</b>										
Damper accessory (Round)	JXDA22	JXDA22	JXDA22	JXDA22	JXDA22	JXDA22	JXDA22	JXDA22	JXDA22	JXDA22
Cord kit					JXHC1	JXHC1	JXHC1	JXHC1	JXHC1	JXHC1
Charcoal filter			XB02X10708	XB02X10707						

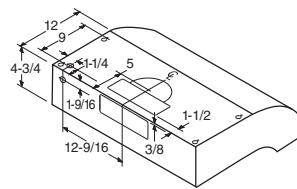
SS = Stainless steel, WW = White on white, CC = Bisque on bisque, BB = Black on black.

## Hood dimensions (in inches)

### 1 Models JV666H, JV665H, JV636H, JV635H, JV536H, JV535H, JV566H and JV565H

Exhaust outlet connects to 3-1/4" x 10" duct (vertically or horizontally) and 7" round (vertically). Includes rectangular damper and 7" round damper adapter.

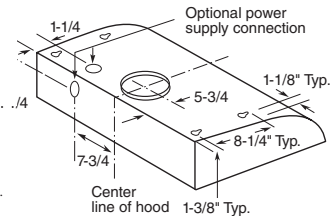
Round damper accessory JXDA22 available at additional cost.



### 3 Models JV367H, JV348L, JV347H, JV338H\* and JV248P

\*JV367H, JV348L, JV347H and JV338H—Refer to this drawing for round exhaust option. Refer to drawing 2 for rectangular exhaust option.

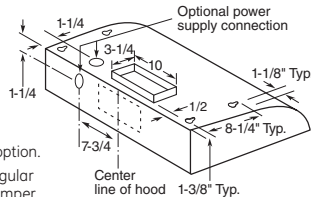
Exhaust outlet connects to 7" diameter duct. Vent top only. Round damper accessory JXDA22 available at additional cost.



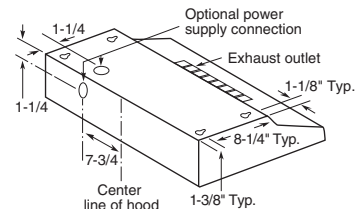
### 2 Models JV367H, JVE40, JV348L, JV347H, JV338H\* and JV247P

\*JV367H, JV348L, JV347H and JV338H—Refer to this drawing for rectangular exhaust option. Refer to drawing 3 for round exhaust option.

Exhaust outlet connects to 3-1/4" x 10" rectangular duct. Vent top or rear. Includes rectangular damper.



### 4 Model JN327H



(JV666H, JV665H, JV636H, JV635H, JV566H, JV565H, JV536H, JV535H, JV367H, JVE40S/D, JV348L, JV347H, JV338H, JV247P, and JV248P only)



Listed by Underwriters Laboratories

Installation information: Before installing, consult installation instructions packed with product for current dimensional data.

**Note:** The following range hoods are HVI-certified and compliant with CA Title 24:

**Designer hoods:** CV936, PV977, PV976, PV970, JV966, JV936

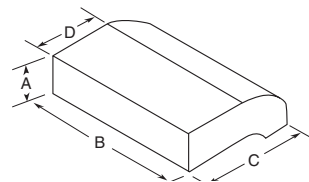
**Slide-out hoods:** JV960, JV930, JV694, JV394

**Downdraft hoods:** JVB98, JVB94, JVB67, JVB37

**Performance hoods:** JV666, JV665, JV636, JV635, JV536, JV566, JV535, JV565.

### JXHC1 cord kit

Allows a receptacle in the cabinet over the range to accommodate either an over-the-range microwave oven or a standard hood.



### Dimensions (in inches)

Model	A	B	C	D
JV666/JV665	4-3/4	35-7/8	20	12
JV636/JV635	4-3/4	29-7/8	20	12
JV536/JV535	4-3/4	29-7/8	20	12
JV566/JV565	4-3/4	35-7/8	20	12
JV367	5-1/2	35-7/8	17-1/2	12
JVE40	5-15/16	29-15/16	19-1/2	12
JV347/JV348	5-1/2	29-7/8	17-1/2	12
JV338	5-1/2	29-7/8	17-1/2	12
JN327	5-1/2	29-7/8	17-1/2	12
JV247/JV248	5-1/2	23-7/8	17-1/2	12

Above illustrations intended for dimensional reference only. Refer to photography for actual product appearance.



# GE Profile Advantium® wall ovens

Features	GE Profile™		
	PSB2201N PSB2200N	PSB1201N PSB1200N	PSB1001N PSB1000N
Family-size oven	1.7 cu. ft.	1.7 cu. ft.	1.7 cu. ft.
Stainless steel oven interior	●	●	●
Cooking modes	up to 8 times	up to 4 times	up to 4 times
Convection oven	250°-450°	250°-450°	250°-450°
Microwave oven	●	●	●
Warming	●	●	●
Proofing	●	●	●
True European Convection	Multilevel	Multilevel	Multilevel
Oven controls	Dial & glass touch	Dial & glass touch	Dial & glass touch
Electronic scrolling display	●	●	●
Preprogrammed menu items	175	175	175
Help pad	●	●	●
Demo mode	●	●	●
Interior oven light	●	●	●
Beeper sound level control	4 levels	4 levels	4 levels
Variable scroll speed	5 speeds	5 speeds	5 speeds
Heating elements			
Upper heater power (watts)	2400	1200	1200
Lower heater power (watts)	500	375	375
Convection heater power (watts)	1500	1500	1500
Custom recipe saver	30	30	30
Cooking complete reminder	●	●	●
Control lockout	●	●	●
Frameless glass oven door with window	●	●	●
Microwave oven features			
Sensor	●	●	●
Defrost—Auto/Time/1-lb. Quick	●	●	●
Soften/Melt	●	●	●
Microwave power output watts	950	950	950
27"/30" appearance	30"	30"	27"
Under-the-counter installation	N/A	●	N/A
<b>Appearance</b>			
Color appearance*	SS WW, BB	SS WW, BB	SS WW, BB
Case color	N/A	N/A	N/A
<b>Weights &amp; Dimensions</b>			
Overall oven interior dimensions (in inches)			
Height	8-1/2	8-1/2	8-1/2
Width	20-1/8	20-1/8	20-1/8
Depth	17	17	17
Overall dimensions (in inches)			
Exterior width (W)	29-3/4	29-3/4	26-3/4
Exterior height (H)	19-1/8	19-1/8	19-1/8
Exterior depth, not including handle (D)	21-1/2	21-1/2	21-1/2
Oven cabinet width required (in inches)	30	30	27" minimum
Cutout height	17-1/2	17-1/2	17-1/2
Cutout width	25-1/8	25-1/8	25-1/8
Cutout depth	23-1/2	23-1/2	23-1/2
Approx. shipping weight (lbs.)	115	115	91
<b>Power/Ratings</b>			
Input volt/hertz	240V/208V 60Hz	120V/60Hz	120V/60Hz
Input amps/watts (max)	30A/6.3KW-total	15A/1.8KW	15A/1.8KW
<b>Accessories</b>			
Cookbook	●	●	●
Cooking guide	●	●	●
Grill tray	●	●	●
Cooking tray	●	●	●
Microwave tray	●	●	●
Rack	Full-width	Pedestal	Pedestal
Broil/Toast tray	●	●	●
Storage drawer	JX2201NSS N/A JX2200NBB	JX2201NSS N/A JX2200NBB	N/A
<b>Warranty</b>			
Limited one-year in-home warranty**	●	●	●
Limited five-year magnetron warranty**	●	●	●

\*SS = Stainless steel, WW = White on white, BB = Black on black  
\*\*See written warranty for details.

240-volt electric wall ovens are not approved for installation with a plug and receptacle. They must be hard wired in accordance with installation instructions.

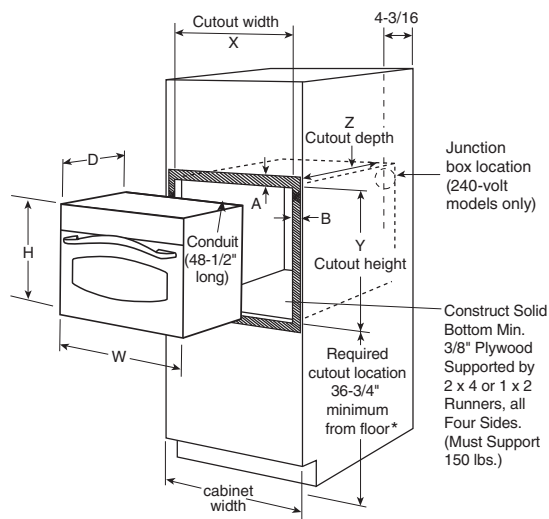
**Important:** Before installing, consult installation instructions packed with product for current dimensional data.

**Note:** Cabinets installed adjacent to wall ovens must have an adhesion spec of at least a 194°F temperature rating.



Above illustrations intended for dimensional reference only. Refer to photography for actual product appearance.

## Advantium wall oven dimensions and cabinet installation (in inches)



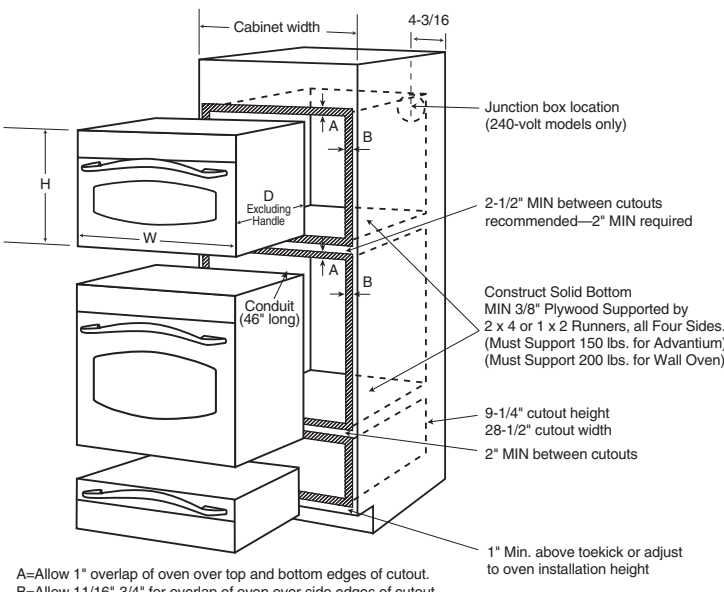
**Note:** Cabinets installed adjacent to wall ovens must have an adhesion spec of at least 194°F temperature rating.

**Note:** 2" minimum between cutouts when installed above warming drawer or single wall oven.

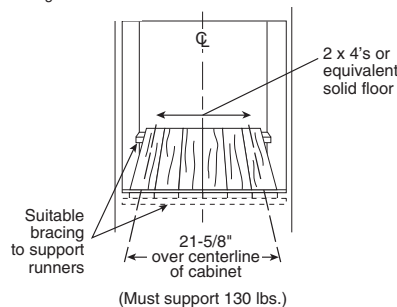
A=Allow 1" overlap of oven over top and bottom edges of cutout.  
B=Allow 11/16"-3/4" for overlap of oven over side edges of cutout.

\*Required for UL approval on models PSB2200/1 and PSB1000/1. PSB1200/1 may be installed at a minimum of 5" from the floor.

## GE Profile cooking tower dimensions and cabinet installation (in inches)



A=Allow 1" overlap of oven over top and bottom edges of cutout.  
B=Allow 11/16"-3/4" for overlap of oven over side edges of cutout.



	Cabinet Width	W Width	H Height	D Depth (excluding handle)	X Cutout Width	Y Cutout Height	Z Cutout Depth
PSB2200/1 and PSB1200/1 without storage drawer	30	29-3/4	19-1/8	21-3/4	25-1/8	17-1/2	23-1/2
PSB2200/1 and PSB1200/1 with storage drawer	30	29-3/4	22-1/4	21-3/4	25-1/8 min. to 28-1/2 max.	21	23-1/2
PSB1000/1: 27" Installation	27	26-3/4	19-1/8	21-3/4	25-1/8	17-1/2	23-1/2

**Note:** See wall oven and warming drawer section for complete product and cutout dimensions.

See page 195 for warranty information.

Refrigeration  
Advantium® ovens  
Microwave ovens  
Dishwashers  
Clothes care  
Water heaters  
Air conditioning

# GE Profile™ and GE Café Advantium® above-the-cooktop ovens

	GE Profile		GE Café™
	240-volt	120-volt	120-volt
	PSA2201R PSA2200R	PSA1201R PSA1200R	CSA1201R
<b>Features</b>			
Family-size oven	1.7 cu. ft.	1.7 cu. ft.	1.7 cu. ft.
Stainless steel oven interior	●	●	●
Cooking modes	Speedcook	up to 8 times	up to 4 times
	Convection oven	250° - 450°	250° - 450°
	Microwave oven	●	●
	Warming	Moist/Crisp	Moist/Crisp
Oven controls	Proofing	●	●
	True European convection	Multilevel	Multilevel
	Controls	Dial & glass touch	Dial & glass touch
	Backlit	SS & BB only	SS & BB only
	Electronic scrolling display	●	●
	Preprogrammed menu items	175	175
	Help pad	●	●
	Demo mode	●	●
	Interior oven light	●	●
	Custom Recipe Saver	30	30
Heating elements	Upper heater power (watts)	2400	1200
	Lower heater power (watts)	500	375
	Convection heater power (watts)	1550	1550
Cooking complete reminder	●	●	
Control lockout	●	●	
High-capacity cooktop vent fan	2 speeds	2 speeds	
Full-view cooktop lighting	●	●	
Programmable night light	●	●	
Microwave oven features	Sensor	●	●
	Defrost	●	●
	Microwave power output watts	975	925
	300-CFM vent fan	●	●
	<b>Appearance</b>		
Color appearance*	SS WW, BB	SS WW, BB	SS
Case color	Stainless steel White, Black	Stainless steel White, Black	Graphite grey
<b>Weights &amp; Dimensions</b>			
Overall oven interior dimensions (in inches)	Height	9-2/5	9-2/5
	Width	21-5/9	21-5/9
Overall dimensions (in inches)	Depth	14-1/4	14-1/4
	Exterior height (rear)	16-1/2	16-1/2
Exterior width (in inches)	Exterior width	29-7/8	29-7/8
	Exterior depth (not including handle)	15-3/8	15-3/8
Approx. shipping weight (lbs.)	104	97	97
<b>Power/Ratings</b>			
Input volt/hertz	240V/60Hz	120V/60Hz	120V/60Hz
Input amps/watts (max)	30A/6.3KW-total	15A/1.7KW-total	15A/1.7KW-total
<b>Accessories</b>			
Cookbook	●	●	●
Cooking guide	●	●	●
Grill tray	●	●	●
Flat metal tray	2	1	1
Microwave tray	●	●	●
Rack	2 full-width	2 full-width	2 full-width
Recirculating charcoal filter kit (opt.)	JX81D	JX81D	JX81D
Filler panel kit†	Optional	Optional	Optional
<b>Warranty</b>			
Limited one-year in-home warranty**	●	●	●
Limited five-year magnetron warranty**	●	●	●

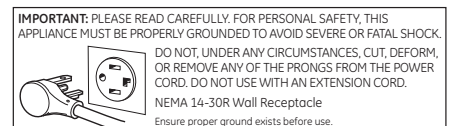
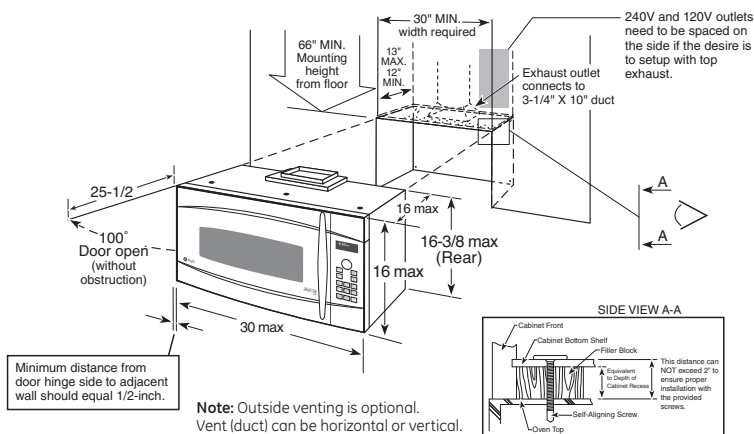
\*SS = Stainless steel, WW = White on white, BB = Black on black

\*\*See written warranty for details.

†Available through GE Parts. Call 1-877-959-8688

## Advantium above-the-cooktop oven dimensions (in inches)

### Models PSA2200/1, PSA1200/1 and CSA1201



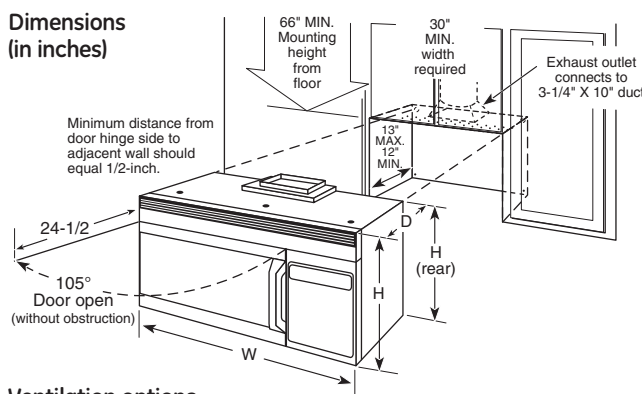
Above illustrations intended for dimensional reference only. Refer to photography for actual product appearance.

# GE Café™ and GE Profile Spacemaker® convection/microwave ovens

	GE Café	GE Profile™
	CVM1790SS	PVM1790SR PVM1790DR
<b>Capacity</b>		
Oven cavity (cu. ft.)	1.7	1.7
<b>Features</b>		
Watts—microwave (IEC-705 test procedure)	1000	1000
Heater wattage	1550	1550
Controls	Membrane/dial	Membrane/dial
SmartControl system w/interactive display	●	●
Electronic scrolling digital display w/lock and AM/PM	2-line	2-line
Variable scroll speed	5 speeds	5 speeds
Help pad	●	●
Concurrent programming	●	●
Display On/Off	●	●
Bilingual display (English/Spanish)	●	●
Cavity lighting	Halogen	Halogen
Cooktop lighting	Halogen	Halogen
Turntable	On/Off	On/Off
Turntable diameter (in inches)	13-5/8	13-5/8
Sensor controls		
Cook	Chicken, Fish, Potato	Chicken, Fish, Potato
Popcorn	●	●
Reheat	●	●
Vegetables (canned/fresh/frozen)	●	●
Convection controls		
Convection Bake	●	●
Fast Bake	●	●
Warm	●	●
Auto Recipe™ conversion	●	●
Instant On controls	●	●
Time cook	I & II	I & II
Add 30 Seconds	●	●
Temp cook	●	●
Auto/Time defrost	●/●	●/●
Fast defrost	●	●
Power levels	10	10
Programmable night light	●	●
Timer On/Off	●	●
Variable beeper volume control	4 levels	4 levels
Cooking complete reminder	●	●
Control lockout	●	●
300-CFM vent fan	3-speed	3-speed
<b>Appearance</b>		
Color appearance	SS	SS WW, CC, BB
Case color	Graphite grey	Black White, Bisque, Black
<b>Weights &amp; Dimensions</b>		
WxHxD (in inches)	Cavity 21-5/8 x 9-3/8 x 14-1/4 Exterior 29-7/8 x 16-1/2 x 15-3/8	
Approx. shipping weight (lbs.)	85	85
<b>Power/Ratings</b>		
Input Volt/Hertz	120V/60Hz	120V/60Hz
Input Amps/Watts (max) <sup>1</sup>	15A/1.5KW	15A/1.5KW
<b>Accessories</b>		
Convection rack	2 (2 positions)	2 (2 positions)
Cooking guide	●	●
Recirculating charcoal filter kit <sup>1</sup>	JX81D (optional)	JX81D (optional)
Filler panel kit <sup>**</sup>	Optional	Optional
<b>Warranty</b>		
Limited one-year in-home warranty*	●	●
Limited five-year magnetron warranty*	●	●

\*See written warranty for details.  
 \*\*JX48WH and JX48BL available through GE Parts. Call 1-877-959-8688 to order.  
<sup>1</sup>Optional for units that are not set as recirculating from the factory.

## Dimensions (in inches)



## Ventilation options

The Spacemaker convection/microwave and Spacemaker microwave ovens are designed for adaptation to the following three types of ventilation:

**Outside exhaust** (Vertical—as shown above)

**Outside exhaust** (Horizontal)

**Recirculating** (Non-vented ductless—see Filter Kit Drawing, order JX81B, JX81C, JX81D, JX81H or JX81J)

Requires 120V grounded outlet. Electrical receptacle must be located in cabinet above Spacemaker microwave/convection and Spacemaker microwave ovens. No additional wiring, venting or cabinet rebuilding necessary in many cases. Complete detailed, easy-to-follow installation instructions and convenient full-size templates are packed with product.

**Important:** When installing these ovens over a range, allow minimum of 2" from bottom of microwave oven to top of range backguard to allow for removal of light covers.

## Optional accessories

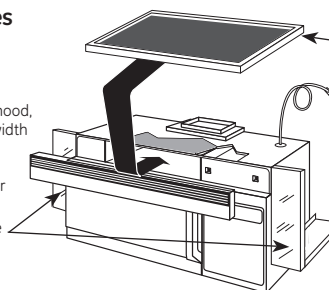
(sold separately)

**Filler panel kit**

See below for part numbers.

When replacing a 36" range hood, this kit fills in the additional width to provide a custom built-in appearance. For installation between cabinets only; not for end-of-cabinet installation.

Each kit contains two 3"-wide filler panels.



**Recirculating Charcoal Filter kit<sup>1</sup>**

See below for part numbers.

To be used when the Spacemaker microwave oven cannot be vented to the outside. (Included with non-vented models.)

<sup>1</sup>Optional for units that are not set as recirculating from the factory.

Model	Recirculating charcoal filter kit	Filler panel kit*
JVM1540SMSS	JX81C	JX48BL
JVM1540LMCS	JX81C	JX48BL
JVM1540MPASA	JX81J	JX48BL
JVM1540DMWW	JX81C	JX48WH
JVM1540DMCC	JX81C	—
JVM1540DMBB	JX81C	JX48BL
JNM1541SMSS	JX81C	JX48BL
JNM1541MPASA	JX81J	JX48BL
JNM1541DMWW	JX81C	JX48WH
JNM1541DMCC	JX81C	—
JNM1541DMBB	JX81C	JX48BL
JVM1740SPSS	JX81J	—
JVM1740DPWW	JX81J	JX48WH
JVM1740DPCC	JX81J	—
JVM1740DPBB	JX81J	JX48BL
JVM1750SPSS	JX81J	JX48BL
JVM1750DPWW	JX81J	JX48WH
JVM1750DPCC	JX81J	—
JVM1750DPBB	JX81J	JX48BL
JVM1950SRSS	JX81H	JX52BL
JVM1950DRWW	JX81H	JX52WH
JVM1950DRCC	JX81H	—
JVM1950DRBB	JX81H	JX52BL
JNM1951SRSS	JX81H	JX52BL
JNM1951DRWW	JX81H	JX52WH
JNM1951DRBB	JX81H	JX52BL

Model	Recirculating charcoal filter kit	Filler panel kit*
JVM2052SRSS	JX81D	JX52BL
JVM2052DRWW	JX81D	JX52WH
JVM2052DRBB	JX81D	JX52BL
PVM1970SRSS	JX81H	JX52BL
PVM1970DRWW	JX81H	JX52WH
PVM1970DRCC	JX81H	—
PVM1970DRBB	JX81H	JX52BL
PNM1971SRSS	JX81H	JX52BL
JVM3670SK	JX81B	—
JVM3670WF	JX81B	—
JVM3670BF	JX81B	—
PVM2170SRSS	JX81H	JX52BL
PVM2170DRWW	JX81H	JX52WH
PVM2170DRBB	JX81H	JX52BL
PVM1790SRSS	JX81D	JX48BL
PVM1790DRWW	JX81D	JX48WH
PVM1790DRCC	JX81D	—
PVM1790DRBB	JX81D	JX48BL
CVM1790SSSS	JX81D	—
PSA1201RSS	JX81D	JX52BL
PSA1200RWW	JX81D	JX52WH
PSA1200RBB	JX81D	JX52BL
PSA2201RSS	JX81D	JX52BL
PSA2200RWW	JX81D	JX52WH
PSA2200RBB	JX81D	JX52BL
CSA1201RSS	JX81D	—

This information is not intended to be used for installing unit described. Before installing, consult installation instructions packed with product/kit for current dimensional data.

\*For 36" installation.  
 JX48 and JX52 available through GE Parts.  
 Call 1-877-959-8688 to order.

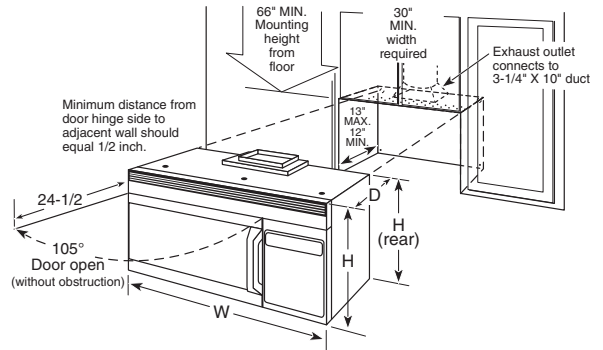


Listed by Underwriters Laboratories

# GE Profile Spacemaker® microwave ovens

	GE Profile™		
	PVM2170SR PVM2170DR	JVM3670SK JVM3670WF JVM3670BF	PNM1971SR* PVM1970SR PVM1970DR
<b>Capacity</b>			
Oven cavity (cu. ft.)	2.1	1.8	1.9
<b>Features</b>			
Watts (IEC-705 test procedure)	1000	1100	1000
Electronic touch controls	Dial	●	●
Scrolling display	●	2-line	2-line
Clock	●	●	●
Variable scroll speed	●	●	●
Help pad	●	●	●
Bilingual display (English/Spanish)	●	●	●
Sensor cook	●	●	●
Sensor controls	Beverage Chicken/Fish Popcorn Potatoes Reheat	● ● ● ● ●	● ● ● ● ●
Convenience controls	Beverage Popcorn Family snacks Pizza Soup Bacon Eggs	● ● ● ● ● ● ●	● ● ● ● ● ● ●
USDA MyPlate.gov menu	Grains Vegetables Ground meat Poultry Seafood	● ● ● ● ●	● ● ● ● ●
Power Saver mode	●	●	●
Steam cook	●	●	●
Custom pads	●	●	●
Express Cook (1-6 min.)	●	●	●
Instant On controls	●	●	●
Time cook	I & II	I & II	I
Add 30 Seconds	●	●	●
Auto/Time Defrost/1-lb. Quick Defrost	●/●/●	●/●/●	●/●/●
Melt/Soften	●/●	●/●	●/●
Power levels	10	10	10
Delay Start	●	●	●
Cooking system	CircuWave™	CircuWave	CircuWave
Recessed turntable with On/Off	●	●	●
Turntable diameter (in inches)	14-1/4	14-1/4	14-1/4
Halogen interior/cooktop lighting	●	●	●
Programmable night light	●	●	●
Timer On/Off	●	●	●
Cooking complete reminder	●	●	●
Control lockout	●	●	●
300-CFM exhaust vent fan/Boost	●	4-speed / ●	●
400-CFM exhaust vent fan	4-speed	●	4-speed
<b>Appearance</b>			
Color appearance**	SS WW,BB	SS WW BB	SS* SS WW, CC, BB
Case color	Black White, Black	Black White Black	Black Black White, Bisque, Black
<b>Weights &amp; Dimensions</b>			
36"-width application	●	●	●
Overall oven interior dimens. WxHxD (in inches)	20-1/8 x 10-7/8 x 14-7/8	21-7/8 x 9-1/2 x 14-5/8	20-7/8 x 10-7/8 x 14-1/2
Approx. shipping weight (lbs.)	63	80	63
<b>Power/Ratings</b>			
Input Volt/Hertz	120V/60Hz	120V/60Hz	120V/60Hz
Input Amps/Watts (max)	15A/1.58KW	15A/1.58KW	15A/1.58KW
<b>Accessories</b>			
Cooking guide label	●	●	●
Oven rack(s)	1 (2 positions)	1 (2 positions)	1 (2 positions) JX81H (included) JX81H (optional) JX81H (optional)
Recirculating charcoal filter kit†	JX81H (optional)	JX81B (optional)	●
Filler panel kit††	Optional	—	Optional
<b>Warranty</b>			
Limited one-year in-home warranty†††	●	●	●
Limited five-year magnetron warranty†††	●	●	●

## Dimensions (in inches)



## Overall exterior dimensions (in inches)

Model	W	D	H	H (Rear)
PVM2170	29-7/8	15-7/8	16-7/8	16-1/2
JVM3670	35-7/8	15-1/4	16-3/8	16-1/2
PNM1971/PVM1970	29-7/8	15-7/8	16-7/8	16-1/2

This information is not intended to be used for installing unit described. Before installing, consult installation instructions packed with product/kit for current dimensional data.

# GE® over-the-range microwave ovens

Refrigeration

Cooking products

Microwave ovens

Dishwashers

Clothes care

Water heaters

Air conditioning

		GE							
		JVM2052SN JVM2052DN	JNM1951SR* JNM1951DR*	JVM1950SR JVM1950DR	JVM1750SP JVM1750DP	JVM1740SP JVM1740DP	JNM1541SM* JNM1541DM*	JNM1541MP* JVM1540MP	JVM1540SM JVM1540LM JVM1540DM
<b>Capacity</b>									
Oven cavity (cu. ft.)		2.0	1.9	1.9	1.7	1.7	1.5	1.5	1.5
<b>Features</b>									
Watts (IEC-705 test procedure)		1050	1000	1000	1000	1000	950	950	950
Electronic touch controls		●	●	●	●	●	●	●	●
_Scrolling display		2-line	2-line	2-line	1-line				
Clock		●	●	●	●	●	●	●	●
Variable scroll speed		●	●	●	●				
Help pad			●	●	●				
Bilingual display (English/Spanish)			●	●					
Sensor Cook		●	●	●	●				
Sensor controls									
Beverage					●				
Popcorn		●	●	●	●				
Potatoes		●	●	●	●				
Reheat		●	●	●	●				
Vegetables					●				
Convenience Beverage controls						●	●	●	●
Popcorn			●	●		●	●	●	●
Potatoes						●	●	●	●
Family snacks			●	●					
Reheat						●			
Vegetables						●			
Cooking Controls									
Manual Grill									
Combination Grill									
Auto Grill-Beef or Pork									
Auto Grill-Seafood									
Auto Grill-Poultry									
USDA menu			●	●					
Grains			●	●					
MyPlate.gov menu			●	●					
Vegetables			●	●					
Ground meat			●	●					
Poultry			●	●					
Seafood			●	●					
Power Saver mode			●	●					
Steam cook			●	●					
Express Cook (1-6 min.)		●	●	●	●	●	●	●	●
Instant On controls		●	●	●	●	●	●	●	●
Time cook		●	I	I	I & II	I & II	I & II	I & II	I & II
Add 30 Seconds		●	●	●	●	●	●	●	●
Auto/Time Defrost/ 1-lb. Quick Defrost		●/●/●	●/●/●	●/●/●	●/●/—	●/●/—	●/●/—	●/●/—	●/●/—
Melt/Soften		●/●	—/●	—/●					
Power levels		10	10	10	10	10	10	10	10
Delay Start/Reminder			●	●	●	●	●/●	●/●	●/●
Cooking system		CircuWave	CircuWave	CircuWave	CircuWave	CircuWave	Top Feed	Top Feed	Top Feed
Turntable		Recessed	Recessed	Recessed	Recessed	Recessed	●	Recessed	●
Turntable On/Off		●	●	●	●	●	●	●	●
Turntable diameter (in inches)		12	14-1/4	14-1/4	11-1/2	11-1/2	12-1/2	11-1/2	12-1/2
Interior lighting		●	●	●	●	●	●	●	●
Full-view cooktop lighting		●	●	●	●	●	●	●	●
Programmable Night light			●	●	●	●			
Timer On/Off		●	●	●	●	●	●	●	●
Cooking complete reminder		●	●	●	●	●	●	●	●
Control lockout			●	●	●	●	●	●	●
300-CFM exhaust vent fan		5-speed			2-speed	2-speed	2-speed	2-speed	2-speed
400-CFM exhaust vent fan			4-speed	4-speed					
<b>Appearance</b>									
Color appearance**		SS WW, BB	SS WW, BB	SS WW, CC, BB	SS WW, CC, BB	SS WW, CC, BB	SS WW, CC, BB	SA	SS / CS WW, CC, BB
Case color		Black White, Black	Black White, Black	Black White, Bisque, Black	Black White, Bisque, Black	Black White, Bisque, Black	Black White, Bisque, Black	Black	Black / Black White, Bisque, Black
<b>Weights &amp; Dimensions</b>									
Overall oven interior dimensions WxHxD (in inches)		22-7/8 x 10-1/4 x 14-1/2	20-7/8 x 10-7/8 x 14-1/2	20-7/8 x 10-7/8 x 14-1/2	20-1/4 x 9-1/4 x 14-3/8	20-7/8 x 9-3/8 x 14-1/4	20-1/4 x 9-1/4 x 14-3/8	20-1/4 x 9-1/4 x 14-3/8	20-1/4 x 9-1/4 x 14-3/8
Approx. shipping weight (lbs.)		68	63	63	67	67	67	67	67
<b>Power/Ratings</b>									
Input Volt/Hz		120V/60Hz	120V/60Hz	120V/60Hz	120V/60Hz	120V/60Hz	120V/60Hz	120V/60Hz	120V/60Hz
Input Amps/Watts (max)		15A/1.58KW	15A/1.58KW	15A/1.58KW	15A/1.58KW	15A/1.6KW	15A/1.58KW	15A/1.58KW	15A/1.58KW
<b>Accessories</b>									
Cooking guide label		●	●	●	●	●	●	●	●
Oven rack(s)		1 (1-position)	1 (2-positions)	1 (2-positions)	1 (2-positions)	1 (1-position)	1 (1-position)	1 (1-position)	1 (1-position)
Recirculating charcoal filter kit†		JX81D (optional)	JX81H (included)	JX81H (optional)	JX81J (optional)	JX81J (optional)	JX81C (included) JX81J (optional)	JX81C (optional)	JX81C (optional)
Filler panel kit††		Optional	Optional	Optional	Optional	Optional	Optional	Optional	Optional
<b>Warranty</b>									
Limited one-year in-home warranty†††		●	●	●	●	●	●	●	●

\*Non-vented models are not set as recirculating from the factory.  
 \*\*SS = Stainless steel, CS = CleanSteel™, SA = Silver, WW = White on white, CC = Bisque on bisque, BB = Black on black.  
 †Optional for units that are not set as recirculating from the factory.  
 ††JX48WH, JX48BL, JX52WH, and JX52BL available through GE Parts. Call 1-877-959-8688 to order.  
 †††See warranty for details.

Model	W	D	H	H (Rear)
JVM2052	29-78	15-1/2	16	16
JNM1951/JVM1950	29-78	15-1/2	16-7/8	16-1/2
JVM1750	29-78	15-1/4	16-1/2	16-1/2

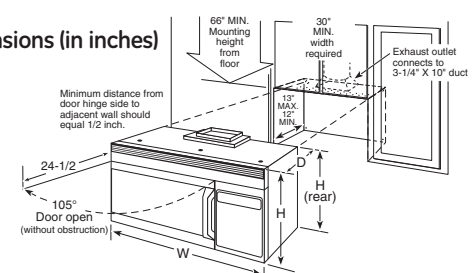
Model	W	D	H	H (Rear)
JVM1740	29-78	15-1/4	16-1/2	16-1/2
JNM1541SM/DM	29-78	15-1/4	16	16-3/8
JNM1541/JVM1540MP	29-78	15-1/4	16-1/2	16-1/2
JVM1540SM/LM/DM	29-78	15-1/4	16	16-3/8

This information is not intended to be used for installing unit described. Before installing, consult installation instructions packed with product/kit for current dimensional data.

Above illustrations intended for dimensional reference only. Refer to photography for actual product appearance.

See page 195 for warranty information.

### Dimensions (in inches)



# Spacemaker II™ microwave ovens

	GE Profile™ PEM31SM PEM31DM	GE® JEM25DM
ADA compliant†	●	●
<b>Capacity</b>		
Oven cavity (cu. ft.)	1.0	1.0
<b>Features</b>		
Watts (IEC-705 test procedure)	800	800
Electronic touch controls	●	●
Scrolling display with Help pad	●	
Demo mode	●	
Electronic digital display w/clock	●	●
Sensor controls	●	
Popcorn	●	
Beverage	●	
Reheat	●	
Vegetable	●	
Potato	●	
Chicken/Fish	●	
Convenience controls		●
Popcorn		●
Beverage		●
Reheat		●
Snacks		●
Cook		●
Express Cook	●	●
Instant On controls	●	●
Time Cook	I & II	I & II
Add 30 Seconds	●	●
Auto/Time Defrost	●	●
Power levels	10	10
Turntable On/Off	●	●
Turntable diameter (in inches)	11-3/8	11-3/8
Kitchen timer/Timer (On/Off)	-/●	●/-
Cooking complete reminder	●	●
Delay Start	●	●
Reminder	●	●
Control lockout	●	●
<b>Appearance</b>		
Color appearance*	SS WW, CC, BB	WW, BB
Case color	Black White, Bisque, Black	White, Black
Door color	Stainless steel White, Bisque, Black	White, Black
<b>Weights &amp; Dimensions</b>		
Approx. shipping weight (lbs.)	40	40
WxHxD††	Cavity	16-1/2 x 7-1/2 x 11-1/4
(in inches)	Exterior	23-3/4 x 11-1/4 x 12-1/4
<b>Power/Ratings</b>		
Input Volt/Hz	120V/60Hz	120V/60Hz
Electrical input	Watts	1300
@ 120V	Amperage	11.5
<b>Accessories</b>		
Cooking guide label	●	●
	JX827SMSS JX827DMWW	JX827DMWW
Optional built-in kit	JX827DMBB	JX827DMBB
Optional hanging kit	JXA019K**	JXA019K**
Right-angle plug	●	●
<b>Warranty</b>		
Limited one-year in-home warranty††	●	●
Limited five-year magnetron warranty††	●	

\*SS = Stainless steel, WW = White on white, CC = Bisque on bisque, BB = Black on black.  
 \*\*JXA019K is available at additional cost.  
 †Model must be in built-in configuration to be ADA compliant.  
 ††See written warranty for details.  
 †††Exterior dimensions: height includes feet, depth does not include handle.

## Built-in trim kit for 1.0 cu. ft. microwave ovens

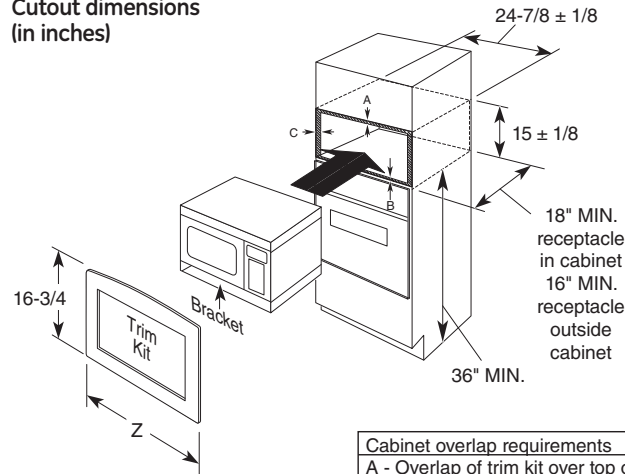
Built-in trim kits allow installation in a wall, cabinet alone, or over a 27" GE electric wall oven. This kit should not be installed over a gas wall oven. Do not install microwave lower than 36" above the floor.

### 27" deluxe trim kits for models PEM31 and JEM25

Model	Model	Z	27" deluxe trim kit
PEM31SMSS	—	26-1/4"	JX827SMSS
PEM31DMWW	JEM25DMWW	26-1/4"	JX827DMWW
PEM31DMBB	JEM25DMBB	26-1/4"	JX827DMBB

JX827SMSS—Stainless  
 JX827DMWW—White  
 JX827DMBB—Black

### Cutout dimensions (in inches)



Cabinet overlap requirements	27"
A - Overlap of trim kit over top of cabinet	1-1/4"
B - Overlap of trim kit over bottom of cabinet	1-1/4"
C - Overlap of trim kit over sides of cabinet	1-1/4"

**Note:**  
 Allow an additional inch of clearance beyond trim frame on all sides

This information is not intended to be used for installing unit described. Before installing, consult installation instructions packed with product/kit for current dimensional data.

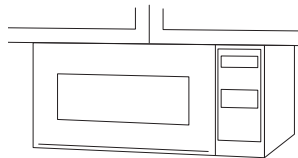
## Undercabinet mounting kit (Part No. JXA019K) for Spacemaker II and microwave oven Models PEM31, JEM25 and JE740 (sold separately)

Not to be used over a thermal oven.

### Undercabinet Installation

Install Spacemaker II microwave ovens in just a few easy steps with the mounting template, which provides all the necessary measurements. These microwave ovens can be installed on practically any wood or metal cabinets. Installation may vary depending on cabinets.

**Note:** 120V, 60-cycle, grounded power receptacle location optional on back within cabinet opening.



Above illustrations intended for dimensional reference only. Refer to photography for actual product appearance.

# Microwave oven trim kits (Trim kit information for models PEM31 and JEM25 on page 270.)

## 30" deluxe trim kit for 2.0 or 1.8 cu. ft. microwave ovens

This trim kit allows for built-in installation of the 2.0 or 1.8 microwave oven in a wall or cabinet alone, or over a GE Profile 30" single electric wall oven. Do not install microwave lower than 36" above the floor.

### 30" deluxe trim kits for models PEB2060 or JEB1860

Model	Z	30" deluxe trim kit	
PEB2060SMSS/ JEB1860SMSS	29-7/8"	JX2030SMSS	JX2030SMSS—Stainless JX2030DMWW—White JX2030DMBB—Black
PEB2060DMWW/ JEB1860DMWW	29-7/8"	JX2030DMWW	
PEB2060DMBB/ JEB1860DMBB	29-7/8"	JX2030DMBB	

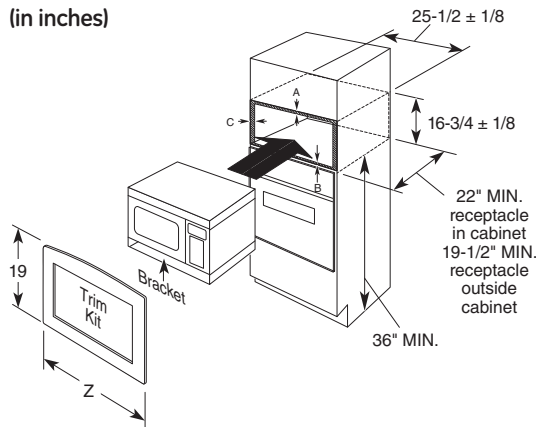
## 27" deluxe trim kit for 2.0 or 1.8 cu. ft. microwave ovens

The 27" deluxe trim kit allows a 2.0 or 1.8 microwave oven to be built into a wall or cabinet alone, or over a GE® 27" single electric wall oven for a complete one-piece, built-in, integrated appearance. Do not install microwave lower than 36" above the floor.

### 27" deluxe trim kits for models PEB2060 or JEB1860

Model	Z	27" deluxe trim kit	
PEB2060SMSS/ JEB1860SMSS	26-7/8"	JX2027SMSS	JX2027SMSS—Stainless JX2027DMWW—White JX2027DMBB—Black
PEB2060DMWW/ JEB1860DMWW	26-7/8"	JX2027DMWW	
PEB2060DMBB/ JEB1860DMBB	26-7/8"	JX2027DMBB	

### Cutout dimensions (in inches)



Cabinet overlap requirements	27"	30"
A - Overlap of trim kit over top of cabinet	1-1/8"	1-1/8"
B - Overlap of trim kit over bottom of cabinet	1-1/4"	1-1/4"
C - Overlap of trim kit over sides of cabinet	3/4"	2-1/8"

Note:  
Allow an additional inch of clearance beyond trim frame on all sides

## Deluxe trim kits for 1.5 cu. ft. microwave ovens

Built-in trim kits allow installation in a wall, cabinet alone, or over a 30" or 27" single electric wall oven. Use a convection wall oven under these convection microwave ovens for a complete convection cooking center. Do not install microwave lower than 36" above the floor.

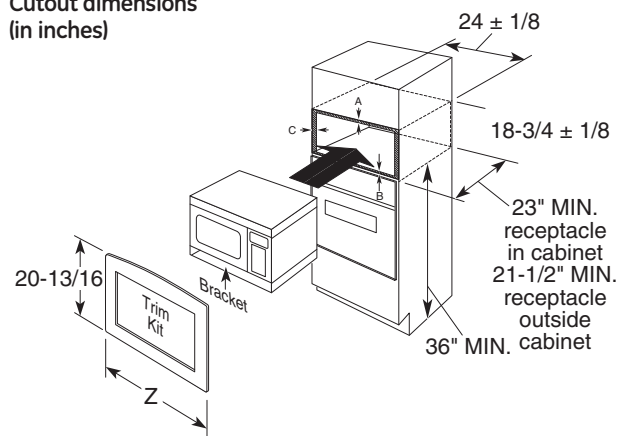
### 30" deluxe trim kits for model PEB1590

Model	Z	30" deluxe trim kit	
CEB1590SSSS	29-3/4"	CX1530SSSS	CX1530SSSS—Stainless JX1530SMSS—Stainless JX1530DMWW—White JX1530DMBB—Black
PEB1590SMSS	29-3/4"	JX1530SMSS	
PEB1590DMWW	29-3/4"	JX1530DMWW	
PEB1590DMBB	29-3/4"	JX1530DMBB	

### 27" deluxe trim kits for model PEB1590

Model	Z	27" deluxe trim kit	
CEB1590SSSS	26-7/8"	CX1527SSSS	CX1527SSSS—Stainless JX1527SMSS—Stainless JX1527DMWW—White JX1527DMBB—Black
PEB1590SMSS	26-7/8"	JX1527SMSS	
PEB1590DMWW	26-7/8"	JX1527DMWW	
PEB1590DMBB	26-7/8"	JX1527DMBB	

### Cutout dimensions (in inches)



Cabinet overlap requirements	27"	30"
A - Overlap of trim kit over top of cabinet	1-1/2"	1-1/2"
B - Overlap of trim kit over bottom of cabinet	1-1/2"	1-1/2"
C - Overlap of trim kit over sides of cabinet	1-1/2"	3"

Note:  
Allow an additional inch of clearance beyond trim frame on all sides

This information is not intended to be used for installing unit described. Before installing, consult installation instructions packed with product/kit for current dimensional data.

Above illustrations intended for dimensional reference only. Refer to photography for actual product appearance.

# Microwave ovens

	GE Café™		GE Profile™		GE®					
	Convection	Convection	Extra-large		Extra-large		Family-size			
	CEB1590SS	PEB1590SM PEB1590DM	PEB2060SM PEB2060DM	JES2251SJ	JEB1860SM JEB1860DM	JES2051SN JES2051DN	JES1656SR	JES1460DS		
ADA compliant†		●	●		●					
<b>Capacity</b>										
Oven cavity (cu. ft.)	1.5	1.5	2.0	2.2	1.8	2.0	1.6	1.4		
<b>Features</b>										
Watts (IEC-705 test procedure)	1000	1000	1200	1200	1100	1200	1150	1100		
Inverter technology				●						
Electronic touch controls	Tactile switches/dial	Tactile switches/dial	●	●	●	●	●	●		
Scrolling display with Help pad	2-line	2-line	●	●	●	●				
Demo mode			●		●	●				
Electronic digital display w/clock	●	●	●		●	●	●	●		
Display On/Off	●	●	●		●	●	●	●		
Convection controls	Convection Combination (Conv/MWO)	●	●							
Grill										
Sensor controls	Popcorn Beverage Lunch/Snack Reheat Vegetable Cook Potato Chicken Breakfast Dinner plate/ Frozen dinner	● ● ● ● ● ● ● ● ● ● ●	● ● ● ● ● ● ● ● ● ● ●	● ● ● ● ● ● ● ● ● ● ●	● ● ● ● ● ● ● ● ● ● ●	● ● ● ● ● ● ● ● ● ● ●	● ● ● ● ● ● ● ● ● ● ●	● ● ● ● ● ● ● ● ● ● ●		
Convenience controls	Popcorn Beverage Reheat Vegetable Potato Cook Snacks Pizza			●			●	●		
Express Cook	1-6 min.	1-6 min.	1-6 min.		1-6 min.	1-6 min.	1-6 min.	1-6 min.		
Warming control				●						
Instant On controls	●	●	●		●	●	●	●		
Time Cook	I & II	I & II	I & II	I & II	I & II	I & II	I & II	I & II		
Add 1 Minute				●						
Add 30 Seconds			●		●	●	●	●		
Auto/Time Defrost	●	●	●	●	●	●	●	●		
Power levels	10	10	10	10	10	10	10	10		
Turntable	Recessed	Recessed	●	●	On/Off	●	●	Recessed		
Turntable diameter (in inches)	12-3/4	12-3/4	16	16	14-1/8	16	13-5/8	14-1/4		
Kitchen timer/Timer on/off	- / ●	- / ●	- / ●	- / ●	- / ●	- / ●	- / ●	- / ●		
Delay Start/Reminder			●	● / -	●	●	●	●		
Cooking complete reminder	●	●	●	●	●	●	●	●		
Control lockout	●	●	●	●	●	●	●	●		
<b>Appearance</b>										
Color appearance*	SS	SS WW, BB	SS WW, CC, BB	SS	SS WW, BB	SS WW, BB	SS	WW, BB		
Case color	Graphite grey	Black White, Black	Black White, Bisque, Black	Stainless steel	Black White, Black	Black White, Black	Stainless steel	White, Black		
Door color	Stainless steel	SS White, Black	SS White, Bisque, Black	Stainless steel	SS White, Black	SS White, Black	Stainless steel	White, Black		
<b>Weights &amp; Dimensions</b>										
Approx. shipping weight (lbs.)	67	67	48	41	48	55	40	45		
WxHxD (in inches)										
Cavity	15-1/4 x 10-7/8 x 15-1/4	15-1/4 x 10-7/8 x 15-1/4	17 x 11 x 19	18-1/2 x 11 x 18-1/2	16-2/3 x 9-3/4 x 16-3/4	16-3/4 x 11-1/4 x 18-1/8	16-5/8 x 10-1/4 x 16-3/4	14-3/4 x 9-7/8 x 16-1/4		
Exterior**	22-5/8 x 14-7/8 x 19-7/8	22-5/8 x 14-7/8 x 19-7/8	24 x 13-3/4 x 19-3/8	24 x 13-3/4 x 19-1/2	23-7/8 x 13-5/8 x 18-7/8	24-1/8 x 13-3/4 x 19-1/2	21-3/4 x 12-7/8 x 17-3/4	21-7/8 x 12-7/8 x 17-1/4		
<b>Power/Ratings</b>										
Input Volt/Hz	120/60	120/60	120/60	120/60	120/60	120/60	120/60	120/60		
Electric input	Watts 1500	1500	1650	1650	1550	1650	1650	1600		
@ 120V	Amperage 13	13	13.9	13.9	13.6	13.9	13.9	13.5		
<b>Accessories</b>										
Cooking guide label	●	●	●	●	●	●	●	●		
Oven rack	Pedestal	Pedestal					●			
Optional built-in kit††	●	●	●		●					
Optional hanging kit										
Right-angle plug	●	●	●		●					
<b>Warranty</b>										
Limited one-year in-home warranty***	●	●	●	●	●	●	●	●		
Limited five-year magnetron warranty****	●	●	●	●				●		

\*SS = Stainless steel, WW = White on white, CC = Bisque on bisque, BB = Black on black

\*\*Exterior dimensions: height includes feet, depth does not include handle.

\*\*\*See written warranty for details.

†Model must be in built-in configuration to be ADA compliant.

††See page 271 for built-in trim kit information.

†††Part No. JXA019K is available at additional cost.

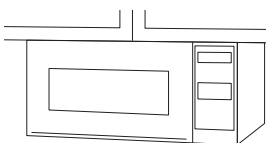
**Note:** Refer to page 271 for dimensional data on Trim Kits (available at additional cost).

## Undercabinet mounting kit (Part No. JXA019K) for Spacemaker II and microwave oven Models PEM31, JEM25 and JE740

(Sold separately)

Above illustrations intended for dimensional reference only. Refer to photography for actual product appearance.

Not to be used over a thermal oven.



## Undercabinet Installation

Install Spacemaker II microwave ovens in just a few easy steps with the mounting template, which provides all the necessary measurements. These microwave ovens can be installed on practically any wood or metal cabinets. Installation may vary depending on cabinets.

**Note:** 120V, 60-cycle, grounded power receptacle location optional on back within cabinet opening.



		Mid-size				
	JES1380DR	JES1142SP	JES1139DS	JE740DR	JES0736SP	JES0738DP
	1.3	1.1	1.1	0.7	0.7	0.7
	1000	1000	1000	700	700	700
	●	●	●	●	●	●
	●	●	●	●	●	●
	●					
	●	●	●	●	●	●
	●	●	●	●	●	●
		●	●	●	●	●
		●	●	●	●	●
	1-6 min.	●	1-6 min.	●	●	30 sec.
	●	●	●	●	●	●
	I & II	●	I & II	I & II	I & II	I & II
	●	●	●	●	●	●
	10	10	10	●/-	●/-	●/-
	●	●	●	10	10	10
	12-1/2	12	12-1/2	9-5/8	10-3/4	10-3/4
	-/●	●/-	●/-	●/-	●/-	●/-
	●	-/●	●/-	●	●	●
	●	●	●	●	●	●
	●	●	●	●	●	●
	BB	SS	WW, BB	WW, BB	SS	WW, BB
	Black	Stainless steel	White, Black	White, Black	Black	White, Black
	Black	Stainless steel	White, Black	White, Black	Stainless steel	White, Black
	43	39	33	27	25.3	26
	14-7/8 × 8-7/8 × 16-1/2	13-7/8 × 9-1/2 × 14-1/8	13-1/4 × 9-1/8 × 13-3/4	12-1/4 × 7-7/8 × 11-5/8	12-3/8 × 7-7/8 × 11-5/8	12-1/8 × 8-1/4 × 11-3/8
	21-9/16 × 12 × 18-3/4	21-1/4 × 11-7/8 × 15-3/4	20-3/8 × 11-3/8 × 15-1/8	17-5/16 × 9-7/8 × 12-3/4	18-1/4 × 10-7/8 × 13-1/2	18-1/4 × 10-7/8 × 13-1/2
	120/60	120/60	120/60	120/60	120/60	120/60
	1500	1500	1780	1050	1050	1050
	13.0	13	15.7	9.3	9.3	9.3
	●	●	●	●	●	●
	●					
				JXA019K†††		
				●		
	●	●	●	●	●	●

# GE Café™ and GE Profile™ stainless interior dishwashers

	GE Café		GE Profile		
	CDWT980VSS	CDWT280VSS	PDWT580VSS PDWT500VWW PDWT500VBB	PDWT502VII	PDWT480VSS
<b>ENERGY STAR® qualified</b>	●	●	●	●	●
CEE tier rating*	2	2	2	2	2
Energy Factor (EF)**	0.78	0.78	0.78	0.78	0.78
Normal wash gallons per cycle***	4.0	4.0	4.0	4.0	4.0
Kilowatt hrs/yr	275	275	275	275	275
<b>Features</b>					
SmartDispense™ technology	47 fl. oz.		47 fl. oz.	47 fl. oz.	
Tub and door liner	Stainless steel	Stainless steel	Stainless steel	Stainless steel	Stainless steel
Place settings	Up to 16	Up to 16	Up to 16	Up to 16	Up to 16
Front appearance	Top control Café flat door	Top control Café flat door	Top control Contour door with top and bottom bevels	Top control Panel-required door— Fully integrated	Top control Contour door with top and bottom bevels
Wash system	PureClean	PureClean	PureClean	PureClean	PureClean
Wash arms	3 direct-feed	3 direct-feed	3 direct-feed	3 direct-feed	3 direct-feed
Wash levels	6-towerless	6-towerless	6-towerless	6-towerless	6-towerless
Water filtration	5-stage with ExtraFine™ filter	5-stage with ExtraFine filter	5-stage with ExtraFine filter	5-stage with ExtraFine filter	5-stage with ExtraFine filter
Self-cleaning filtration	●	●	●	●	●
Dual pumps and motors	●	●	●	●	●
Hard-foed disposer	Piranha™	Piranha	Piranha	Piranha	Piranha
Sensor	CleanSensor™	CleanSensor	CleanSensor	CleanSensor	CleanSensor
Automatic temp. control	●	●	●	●	●
Rinse aid dispenser	w/indicator and adjustment	w/indicator and adjustment	w/indicator and adjustment	w/indicator and adjustment	w/indicator and adjustment
Electronic controls	●	●	●	●	●
Cycle status indicators	1 "Clean" light, 1 "Sanitized" light, 1 "Low-detergent light", 1 "Lock" light	1 "Clean" light, 1 "Sanitized" light	Countdown display with 5 status lights	Countdown display with 5 status lights	1 "Clean" light, 1 "Sanitized" light, 1 "Lock" light
Exterior status LED	●	●	●	●	●
Selections/Enhancements	4/5	4/5	8/5	8/5	4/5
Last cycle memory	●	●	●	●	●
Audible end-of-cycle signal	●	●	●	●	●
Dedicated silverware jets	●	●	●	●	●
<b>Selections</b>					
DeepClean™ cycle (NSF†)	●	●	●	●	●
Top Rack Only	●	●	●	●	●
Sanitize (NSF†)	DeepClean	●	DeepClean	DeepClean	●
Auto Wash/Normal Wash	●/●	●/●	●/●	●/●	●/●
China/Crystal	●	●	●	●	●
Plastics	●	●	●	●	●
SpeedCycle™ (wash & dry)	●	●	●	●	●
Rinse	●	●	●	●	●
<b>Enhancements</b>					
Steam Prewash	●	●	●	●	●
Delay Start	2/4/8-hour	2/4/8-hour	1-24-hour	1-24-hour	1-24-hour
Added heat/Heated Dry	●/●	●/●	●/●	●/●	●/●
HotStart™	Automatic	Automatic	Automatic	Automatic	Automatic
Control lockout	●	●	●	●	●
<b>Racking</b>					
Rack finish/Ball-tip tines	Eclipse black nylon / ●	Eclipse black nylon / ●	Eclipse black nylon / ●	Eclipse black nylon / ●	Eclipse black nylon / ●
Full-extension rack slides	●	●	●	●	●
Adjustable upper rack	4-position	●	4-position	4-position	4-position
Removable upper rack	Deep-tiered	Deep-tiered	Deep-tiered	Deep-tiered	Deep-tiered
Fold-down tine flexibility	2 multi-position upper, 2 full-length lower	●	2 full-length lower	2 full-length lower	2 multi-position upper, 2 full-length lower
Utility shelves	2 nylon StemSafe™	2 StemSafe	2 nylon StemSafe	2 nylon StemSafe	2 nylon StemSafe
Silverware basket	3-pc. with 3 cell covers	1-pc. with 3 cell covers	3-pc. with 3 cell covers	3-pc. with 3 cell covers	3-pc. with 3 cell covers
Solid surface install kit	Included	Included	Included	Included	Included
Door handle	GE Café stainless	GE Café stainless	Sculptured	Handle required	Sculptured
<b>Dry</b>					
Calrod® heating element	Multi-wattage	Multi-wattage	Multi-wattage	Multi-wattage	Multi-wattage
Fan-assist dry	●	●	●	●	●
<b>Quiet</b>					
Sound insulation package††	48 dBA	52 dBA	48 dBA	48 dBA	48 dBA
Tub insulation—blanket	●	●	●	●	●
Door insulation	●	●	●	●	●
ActiveVent system	●	●	●	●	●
Tub collar trim	●	●	●	●	●
<b>Weights and Dimensions</b>					
Height w/legs retracted (in.)	34	34	34	34	34
Height w/legs removed (in.)	33-13/16	33-13/16	33-13/16	33-13/16	33-13/16
Overall width (in.)	24	24	24	24	24
Overall depth (in.)	24-3/4 ††	24-3/4 ††	24-3/4 ††††	24 ††††	24-3/4 ††††
Approx. shipping wt. (lbs.)	105	105	105	105	105
<b>Accessories</b>					
Requires kit for trimless 3/4" panel capability	N/A	N/A	N/A	Panel template Pub. No. 031-30569-1	N/A

\*In accordance with CEE specifications for residential dishwashers in effect as of 1/1/2011.

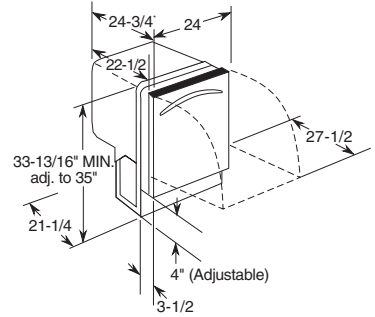
\*\*Subject to change.

\*\*\*Based on DOE test procedure, ANSI/AHAM DW-1.

†Certified by National Sanitation Foundation.

††dBA levels based on Owens-Corning IEC-60704 lab testing, 2009-2010.

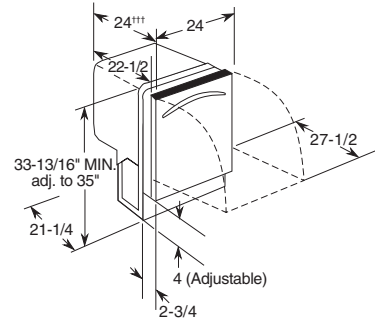
## GE Café and GE Profile built-in dishwasher dimensions—excluding PDWT502VII/PDWT302VII (in inches)



†††Add 1/2" for deepest part of contour door. Allow an additional 2" for the handle on PDWT580/PDWT500 and PDWT480 model.

††Allow an additional 2.525" for the handle on CDWT980VSS Series models.

## GE Profile built-in dishwasher dimensions—PDWT502VII/PDWT302VII (in inches)



†††† Add 3/4" for custom panel and additional room for custom handle.

**Note:** Custom panels are required for model PDWT502VII/PDWT302VII. See page 272 for details.

## GE Café and GE Profile dishwasher electrical rating

Voltage.....	120
Hertz.....	60
Total connected load amperage.....	9.1
Calrod heater watts max.....	875

For use on adequately wired 120-volt, 15-amp circuit having 2-wire service with a separate ground wire. This appliance must be grounded for safe operation.



# GE Profile stainless interior dishwashers

	GE Profile			
	PDWT380VSS PDWT300VWW PDWT300VBB	PDWT302VII	PDWT280VSS PDWT200VWW PDWT200VBB	PDWT180VSS PDWT100VWW PDWT100VBB
<b>ENERGY STAR qualified</b>	●	●	●	●
CEE tier rating*	2	2	2	2
Energy Factor (EF)**	0.78	0.78	0.78	0.78
Normal wash gallons per cycle***	4.0	4.0	4.0	4.0
Kilowatt hrs/yr	275	275	275	275
<b>Features</b>				
SmartDispense technology	47 fl. oz.	47 fl. oz.		
Tub and door liner	Stainless steel	Stainless steel	Stainless steel	Stainless steel
Place settings	Up to 16	Up to 16	Up to 16	Up to 16
Front appearance	Top control Contour door with top and bottom bevels	Top control Panel-required door—Fully integrated	Top control Contour door with top and bottom bevels	Top control Flat door
Wash system	PureClean	PureClean	PureClean	PureClean
Wash arms	3 direct-feed	3 direct-feed	3 direct-feed	3 direct-feed
Wash levels	6-towerless	6-towerless	6-towerless	6-towerless
Water filtration	5-stage with ExtraFine filter	5-stage with ExtraFine filter	5-stage with ExtraFine filter	5-stage with ExtraFine filter
Self cleaning filtration	●	●	●	●
Dual pumps and motors	●	●	●	●
Hard-foed disposer	Piranha	Piranha	Piranha	Piranha
Sensor	CleanSensor	CleanSensor	CleanSensor	CleanSensor
Automatic temperature control	●	●	●	●
Rinse aid dispenser	w/indicator & adjustment	w/indicator & adjustment	w/indicator & adjustment	w/indicator & adjustment
Electronic controls	●	●	●	●
Cycle status indicators	1 "Clean" light, 1 "Sanitized" light, 1 "Low-detergent light", 1 "Lock" light	1 "Clean" light, 1 "Sanitized" light, 1 "Low-detergent light", 1 "Lock" light	1 "Clean" light, 1 "Sanitized" light, 1 "Low-detergent light", 1 "Lock" light	1 "Clean" light, 1 "Sanitized" light
Exterior status LED	●	●	●	●
Selections/Enhancements	4/5	4/5	4/5	4/5
Last cycle memory	●	●	●	●
Audible end-of-cycle signal	●	●	●	●
Dedicated silverware jets	●	●	●	●
<b>Selections</b>				
DeepClean cycle (NSF†)	●	●	●	●
Sanitize (NSF†)	DeepClean	DeepClean	●	●
China/Crystal	●	●	●	●
Auto Wash/Normal Wash	●/●	●/●	●/●	●/●
<b>Enhancements</b>				
Steam Prewash	●	●	●	●
Delay Start	2/4/8-hour	2/4/8-hour	2/4/8-hour	2/4/8-hour
Added heat/Heated Dry	●/●	●/●	●/●	●/●
HotStart	Automatic	Automatic	Automatic	Automatic
Control lockout	●	●	●	●
<b>Racking</b>				
Rack finish/Ball-tip tines	Eclipse black nylon / ●	Eclipse black nylon / ●	Eclipse black nylon / ●	Eclipse black nylon / ●
Full-extension rack slides	●	●	●	●
Removable upper rack	Deep-tiered	Deep-tiered	Deep-tiered	Deep-tiered
Fold-down tine flexibility	2 full-length lower	2 full-length lower	2 full-length lower	2 full-length lower
Utility shelves	2 StemSafe	2 StemSafe	2 StemSafe	2 StemSafe
Silverware basket	3-pc. w/3 cell covers	3-pc. w/3 cell covers	1-pc. w/3 cell covers	1-pc. w/3 cell covers
Small items basket	●	●	●	●
Solid surface install kit	Included	Included	Included	Included
Door handle	Sculptured	Handle required	Sculptured	Sculptured
<b>Dry</b>				
Calrod heating element	Multi-wattage	Multi-wattage	Multi-wattage	Multi-wattage
Fan-assist dry	●	●	●	●
<b>Quiet</b>				
Sound insulation package††	51 dBA	51 dBA	52 dBA	52 dBA
Tub insulation—blanket	●	●	●	●
Door insulation	●	●	●	●
ActiveVent system	●	●	●	●
Tub collar trim	●	●	●	●
<b>Weights &amp; Dimensions</b>				
Height w/legs retracted (in.)	34	34	34	34
Height w/legs removed (in.)	33-13/16	33-13/16	33-13/16	33-13/16
Overall width (in.)	24	24	24	24
Overall depth (in.)	24-3/4†††	24-3/4†††	24-3/4†††	24-3/4†††
Approx. shipping weight (lbs.)	105	105	105	95

\*In accordance with CEE specifications for residential dishwashers in effect as of 1/1/2011.  
 \*\*Subject to change.  
 \*\*\*Based on DOE test procedure, ANSI/AHAM DW-1.  
 †Certified by National Sanitation Foundation.  
 ††dBA levels based on Owens-Corning IEC-60704 lab testing, 2009–2010.

## GE Profile dishwasher electrical rating

Voltage.....120  
 Hertz.....60  
 Total connected load amperage.....9.1  
 Calrod heater watts max.....875

For use on adequately wired 120-volt, 15-amp circuit having 2-wire service with a separate ground wire. This appliance must be grounded for safe operation.



See page 272 for rough-in information

Refrigeration  
 Cooking products  
 Microwave ovens  
 Dishwashers  
 Clothes care  
 Water heaters  
 Air conditioning

# GE® tall tub built-in dishwashers

	GE				ADA-Compliant	
	GDWT668VSS GDWT608VWW GDWT608VBB	GDWT368VSS GDWT308VWW GDWT308VBB	GDWT166VSS GDWT106VWW GDWT106VBB	GDWF160VSS GDWF100VWW GDWF100VBB	GLDT696DSS GLDT690DWW GLDT690DDB	GLDA696PSS GLDA690PWW GLDA690PBB
<b>ENERGY STAR® qualified</b>	●	●	●	●	●	●
CEE tier rating*	2	2	2	2	1	
Energy Factor (EF)**	0.78	0.78	0.78	0.78	0.73	0.74
Normal wash gallons per cycle***	4.0	4.0	4.0	4.0	4.25	5.2
Kilowatt hrs/yr	275	275	275	275	295	302
Meets ADA guidelines					●	●
<b>Features</b>						
Tub and door liner	Stainless steel	Stainless steel	Stainless steel	Stainless steel	Stainless steel	Stainless steel
Place settings	Up to 16	Up to 16	Up to 16	Up to 16	Up to 12	Up to 12
Front appearance	Top control Flat door	Top control Flat door	Top control Flat door	Front control Flat door	Top control Flat door	Front control Flat door
Full-length door design	●	●	●	●	●	●
Wash system	PureClean	PureClean	PureClean	PureClean	Towerless	Towerless
Wash arms	3 direct-feed	3 direct-feed	3 direct-feed	3 direct-feed	2 w/upper nozzle	2 w/upper nozzle
Wash levels	6-towerless	6-towerless	6-towerless	6-towerless	3-towerless	5-towerless
Water filtration	5-stage with ExtraFine™ filter	5-stage with ExtraFine™ filter	5-stage with ExtraFine™ filter	5-stage with ExtraFine™ filter	3-stage	3-stage
Dual pumps and motors	●	●	●	●	●	●
Self-cleaning filtration	●	●	●	●	Removable filter	Removable filter
Hard-foed disposer	Piranha™	Piranha	Piranha	Piranha		
Sensor	CleanSensor™ w/indicator and adjustment	CleanSensor w/indicator and adjustment	CleanSensor w/indicator and adjustment	CleanSensor w/indicator and adjustment	Temperature Sensor w/indicator and adjustment	Temperature Sensor w/indicator and adjustment
Rinse aid dispenser	●	●	●	●	●	●
Electronic controls	●	●	●	●	●	●
Cycle status indicators	1 "Clean" light, 1 "Sanitized" light, 1 "Lock" light	1 "Clean" light, 1 "Sanitized" light	1 "Clean" light, 1 "Sanitized" light	1 "Clean" light, 1 "Sensing" light 1 "Sanitized" light	Countdown display with 2 status lights	Countdown display with 1 status light
Exterior status LED	●	●	●	●	●	●
Cycles/Options	4/5	4/5	4/5	4/5	7/1	4/6
Last cycle memory	●	●	●	●	●	●
Audible end-of-cycle	●	●	●	●	●	●
Dedicated silverware jets	●	●	●	●	●	●
<b>Cycles</b>						
Sanitize (NSF†)	●	●	●	●	●	●
Auto Wash/Normal Wash	●/●	●/●	●/●	●/●	-/●	-/●
SpeedCycle™ (wash & dry)	●	●	●	●	●	●
Light wash	●	●	●	●	●	●
Rinse	●	●	●	●	●	●
Heavy wash/Pots & Pans	●	●	●	●	●/—	-/●
Glasses cycle	●	●	●	●	●	●
<b>Options</b>						
Delay Start	2/4/8-hour	2/4/8-hour	2/4/8-hour	2/4/8-hour	1-24 hour	2/4/8-hour
Steam Prewash	●	●	●	●	●	●
Added Heat/Heated Dry	●/●	●/●	●/●	●/●	●	-/●
HotStart™	Automatic	Automatic	Automatic	Automatic	●	●
Control lock-out	●	●	●	●	●	●
<b>Racking</b>						
Rack finish/Ball-tip tines	Pearlescent gray nylon / ●	Pearlescent gray nylon / ●	Pearlescent gray nylon / ●	Pearlescent gray nylon / ●	Gray nylon / ●	Gray nylon / ●
Full extension rack slides	●	●	●	●	●	●
Upper rack	Deep-tiered	Deep-tiered	Deep-tiered	Deep-tiered	Tiered	Tiered
Fold-down tine flexibility	2 full-length lower	2 full-length lower	2 full-length lower	2 full-length lower	2 full-length lower	2 full-length lower
Utility shelves	2 w/StemSafe™	2 w/StemSafe	2 w/StemSafe	2 w/StemSafe	2 w/StemSafe	2 w/StemSafe
Silverware basket	1-pc. w/3 cell covers	1-pc. w/3 cell covers	1-pc. w/3 cell covers	1-pc. w/3 cell covers	1-pc. w/1 cell cover	3-pc. w/3 cell covers
Small items basket	●	●	●	●	●	●
Solid surface install kit	Included	Included	Included	Included	Included	Included
Low-profile installation	●	●	●	●	●	●
Door handle	D-shaped handle	D-shaped handle	Recessed handle	Squeeze	Squeeze	Squeeze
<b>Dry</b>						
Calrod® heating element	Multi-wattage	Multi-wattage	Multi-wattage	Multi-wattage	Multi-wattage	Multi-wattage
Fan-assist dry	●	●	●	●	●	●
<b>Quiet</b>						
Sound insulation package††	52 dBA	52 dBA	52 dBA	52 dBA	57 dBA	56 dBA
Tub insulation—blanket	●	●	●	●	●	●
Mastic	●	●	●	●	●	●
ActiveVent system	●	●	●	●	●	●
<b>Weights &amp; Dimensions</b>						
Height w/legs retracted (in.)	34	34	34	34	32-7/20	32-7/20
Height w/legs removed (in.)	33-13/16	33-3/4	33-3/4	33-13/16	31-7/10	31-7/10
Overall width (in.)	24	24	24	24	24	24
Overall depth (in.)	24-3/4	25	25	24-3/4	24	24
Approx. shipping wt. (lbs.)	105	95	95	105	105	105

\*In accordance with CEE specifications for residential dishwashers in effect as of 1/1/2011.

\*\*Subject to change.

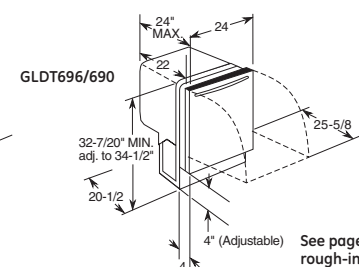
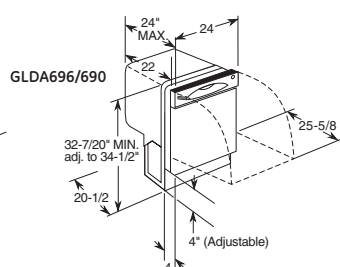
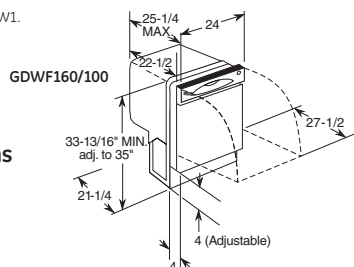
\*\*\*Based on DOE test procedure, ANSI/AHAM DW1.

†Certified by National Sanitation Foundation.

††dBA levels based on Owens-Corning

IEC-60704 lab testing, 2009-2010.

**Dimensions  
(in inches)**



See page 272 for rough-in information.

## Electrical rating

Voltage.....120  
Hertz.....60  
Total connected load  
amperage.....10  
Calrod heater watts max.....875

For use on adequately wired  
120-volt, 15-amp circuit having  
2-wire service with a separate  
ground wire. This appliance must  
be grounded for safe operation.

## GLDA696/GLDA690/ GLDT696/GLDT690 electrical rating

Voltage AC.....120  
Hertz.....60  
Total connected load  
amperage.....9.1  
Calrod heater watts max.....875

For use on adequately wired  
120-volt, 15-amp circuit having  
2-wire service with a separate  
ground wire. This appliance must  
be grounded for safe operation.



(Excludes GLDA690/696)



(Excludes GLDA690/696)



(Excludes GLDA690/696)

# GE tall tub built-in dishwashers

Refrigeration

Cooking products

Microwave ovens

Dishwashers

Clothes care

Water heaters

Air conditioning

GE						
	GLD7768VSS GLD7708VWW GLD7708VBB	GLD5868VSS GLD5808VWW GLD5808VBB	GLD5768VSS GLD5708VWW GLD5708VBB	GLD5666VSS GLD5606VWW GLD5606VCC GLD5606VBB	GLD5664VSS GLD5604VWW GLD5604VCC GLD5604VBB	GLD2850VCS GLD2800VWW GLD2800VBB
<b>ENERGY STAR qualified</b>	●	●	●	●	●	●
CEE tier rating*	2	2	2	2	2	2
Energy Factor (EF)**	0.78	0.78	0.78	0.78	0.78	0.78
Normal wash gallons per cycle***	4.0	4.0	4.0	4.0	4.0	4.0
Kilowatt hrs/yr	275	275	275	275	275	275
<b>Features</b>						
Tub and door liner	Gray PermaTuf®	Gray PermaTuf	Gray PermaTuf	Gray PermaTuf	PermaTuf	PermaTuf
Place settings	Up to 16	Up to 16	Up to 16	Up to 16	Up to 16	Up to 12
Front appearance	Top control Flat door	Top control Flat door	Top control Flat door	Top control Flat door	Front control Flat door	Front control Flat door
Full-length door design	●	●	●	●	●	●
Wash system	PureClean	PureClean	PureClean	PureClean	PureClean	PureClean
Wash arms	3 direct-feed	3 direct-feed	3 direct-feed	3 direct-feed	3 direct-feed	2 direct-feed
Wash levels	6-towerless	6-towerless	6-towerless	6-towerless	6-towerless	4-towerless
Water filtration	5-stage with ExtraFine™ filter	5-stage with ExtraFine filter	5-stage with ExtraFine filter	5-stage with ExtraFine filter	5-stage with ExtraFine filter	5-stage with ExtraFine filter
Self-cleaning filtration	●	●	●	●	●	●
Dual pumps and motors	●	●	●	●	●	●
Hard-food disposer	Piranha	Piranha	Piranha	Piranha	Piranha	Piranha
Sensor	CleanSensor™	CleanSensor	CleanSensor	CleanSensor	CleanSensor	CleanSensor
Automatic temp. control	●	●	●	●	●	●
Rinse aid dispenser	w/indicator and adjustment	w/indicator and adjustment	w/indicator and adjustment	w/indicator and adjustment	w/indicator and adjustment	w/indicator and adjustment
Electronic controls	●	●	●	●	●	●
Cycle status indicators	1 "Clean" light, 1 "Sanitized" light	1 "Clean" light, 1 "Sanitized" light	1 "Clean" light, 1 "Sanitized" light	1 "Clean" light, 1 "Sanitized" light	1 "Clean" light, 1 "Sanitized" light	1 "Clean" light
Exterior status LED	●	●	●	●	●	●
Touchpads	6	6	6	6	9	5
Cycles/Options	4/5	4/5	3/5	3/5	4/5	2/2
Last cycle memory	●	●	●	●	●	●
Audible end-of-cycle signal	●	●	●	●	●	●
Dedicated silverware jets	●	●	●	●	●	●
<b>Cycles</b>						
Sanitize (NSF†)	●	●	●	●	●	●
Auto Wash/Normal Wash	●/●	●/●	-/●	-/●	-/●	-/●
Light Wash	●	●	●	●	●	●
Heavy Wash						●
<b>Options</b>						
Delay Start	2/4/8-hour	2/4/8-hour	2/4/8-hour	2/4/8-hour	2/4/8-hour	2/4-hour
Steam Prewash	●	●	●	●	●	●
HotStart	Automatic	Automatic				
Added Heat/Heated Dry	●/●	●/●	●/●	●/●	●/●	-/●
Control lock-out	●	●	●	●	●	●
<b>Racking</b>						
Rack finish	Pearlescent gray nylon	Pearlescent gray nylon	Pearlescent gray nylon	Pearlescent gray nylon	Pearlescent gray nylon	White titanium
Upper rack	Deep-tiered	Deep-tiered	Deep-tiered	Deep-tiered	Deep-tiered	Flat
Lower rack	2 sets full-length fold-down tines				2 sets full-length fold-down tines	
Utility shelves	2 with StemSafe™	2 with StemSafe	2 with StemSafe	2 with StemSafe	2 with StemSafe	
Silverware basket	1-pc. w/3 cell covers	1-pc. w/3 cell covers	1-pc. w/3 cell covers	1-pc. w/3 cell covers	1-pc. w/3 cell covers	Deluxe Plus
Small items basket	●	●	●	●	●	●
Solid surface install kit	Included	Included	GPF65 (separate)	GPF65 (separate)	GPF65 (separate)	GPF65 (separate)
Door handle	D-shaped handle	D-shaped handle	D-shaped handle	Recessed handle	Squeeze	Squeeze
<b>Dry</b>						
Calrod heating element	Multi-wattage	Multi-wattage	Multi-wattage	Multi-wattage	Multi-wattage	Multi-wattage
<b>Quiet</b>						
Sound insulation package††	55 dBA	55 dBA	57 dBA	57 dBA	57 dBA	59 dBA
Tub insulation—blanket	●	●	●	●	●	●
Mastic	●	●	●	●	●	●
<b>Weights &amp; Dimensions</b>						
Height w/legs retracted (in.)	34	34	34	34	34	34
Height w/legs removed (in.)	33-3/4	33-3/4	33-3/4	33-3/4	33-3/4	33-3/4
Overall width (in.)	24	24	24	24	24	24
Overall depth (in.)	25	25	25	25	25	25
Approx. ship. weight (lbs.)	95	95	95	95	95	95

All GE dishwashers are equipped with the following: 120°F inlet water capacity, convection drying, horizontal mechanism, leveling screws.

\*In accordance with CEE specifications for residential dishwashers in effect as of 1/1/2011.

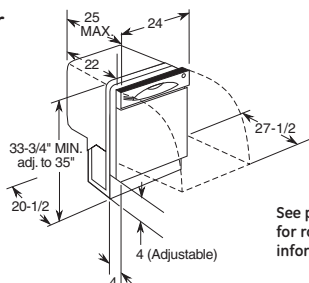
\*\*Subject to change.

\*\*\*Based on DOE test procedure, ANSI/AHAM DW-1.

†Certified by National Sanitation Foundation.

††dBA levels based on Owens-Corning IEC-60704 lab testing, 2009-2010.

## GE tall tub dishwasher dimensions (in inches)



See page 272 for rough-in information.



Above illustrations intended for dimensional reference only. Refer to photography for actual product appearance.

See page 196 for warranty information.

## GE® built-in dishwashers

	GE	
	GSD4060DSS GSD4000DWW GSD4000DBB	GSD2100VWW GSD2100VCC GSD2100VBB
<b>ENERGY STAR® qualified</b>	●	
CEE tier rating	1	
Energy Factor (EF)*	0.73	0.70
Normal wash gallons per cycle**	4.0	5.0
Kilowatt hours/yr	295	307
<b>Features</b>		
Tub and door liner	PermaTuf®	PermaTuf
Wash system	PowerScrub™ with PowerShower	PowerScrub
Wash levels	5	4
Water filtration	2-stage	2-stage
Self-cleaning filtration	●	●
Hard-food disposer	Piranha™	Piranha
Rinse aid dispenser	●	●
Electronic controls	●	
Cycle progress indicator(s)	1 "Clean"	Dial
Touchpads	11	
Cycles/Options	5/5	5/2
<b>Cycles</b>		
Pots & Pans	●	
Heavy Wash	●	Dial
Normal Wash	●	Dial
Light Wash	●	Dial
China/Crystal	●	
Plate Warmer	●	Dial
Rinse Only	●	Dial
<b>Options</b>		
Delay Start	2/4/8-hour	
Heated Dry	●	Rocker
Hi-Temp Wash	●	
Hi-Temp Rinse	●	
HotStart™	●	Dial
Control lock	●	
<b>Racking</b>		
Upper rack	Deluxe	Standard
Lower rack	Standard	Standard
Silverware basket	Deluxe	Deluxe
Solid surface install kit	GPF65	GPF65
Latch	●	●
<b>Dry</b>		
Calrod® heating element	●	●
<b>Quiet</b>		
Sound package†	60 dBA	64 dBA
Tub insulation—blanket	●	
<b>Appearance</b>		
Color panels—door & access	Trimless	Trimless
<b>Weights &amp; Dim.</b>		
Height w/legs retracted (in.)	34	34
Height w/legs removed (in.)	33-13/16	33-13/16
Overall width (in.)	24	24
Overall depth (in.)	25-3/4	25-3/4
Approx. ship. wt. (lbs.)	70	70

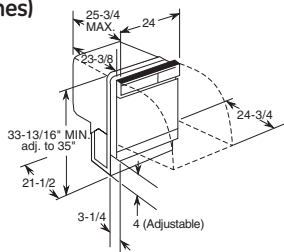
All GE dishwashers are equipped with the following: 120°F inlet water capacity, convection drying, horizontal mechanism, leveling screws.

\*Subject to change.

\*\*Based on DOE test procedure, ANSI/AHAM DW-1.

†dBA levels based on Owens-Corning IEC-60704 lab testing, 2009–2010.

### GE built-in dishwasher dimensions (in inches)



(Excludes GSD2100V/ GSD2101V)

### Electrical rating

Voltage AC.....	120
Hertz.....	60
Total connected load amperage.....	6.2
Calrod heater watts.....	500

For use on adequately wired 120V, 15-amp circuit having 2-wire service with a separate ground wire. This appliance must be grounded for safe operation.

## GE convertible dishwashers

	GE	
	GLC5604VWW GLC5604VBB	GSC3500DWW GSC3500DBB
<b>ENERGY STAR qualified</b>	●	●
CEE tier rating	2	1
Energy Factor (EF)*	0.78	0.73
Normal wash gallons per cycle**	4.0	4.25
Kilowatt hours/yr	275	295
<b>Features</b>		
Tub and door liner	PermaTuf	PermaTuf
Wash system	Towerless	PowerScrub
Wash levels	6	5
Water filtration	5-stage	2-stage
Self-cleaning filtration	●	●
Hard-food disposer	Piranha	Piranha
Rinse aid dispenser	w/indicator	w/indicator
<b>Cycles</b>		
Heavy Wash		●
Pots & Pans		●
Sanitize (NSF**)	●	
Normal Wash	●	●
Light Wash	●	
Plate Warmer		Dial
Rinse Only		Dial
<b>Options</b>		
Steam PreWash	●	
Delay Start	2/4/8-hour	
Heated Dry	●	●
Added Heat	●	
Hi-temp wash		●
HotStart		●
Control Lockout	●	
<b>Racking (upper/lower)</b>		
Silverware basket	1-pc. w/3 cell covers	Deluxe
Cycle progress indicator(s)	1 "Clean"	Dial
Electronic controls	●	
Touchpads	9	4
Solid surface install kit	GPF65	GPF65
Door latch	Squeeze	Latch
<b>Dry</b>		
Calrod heating element	●	●
<b>Quiet</b>		
Sound insulation package†	57 dBA	64 dBA
<b>Appearance</b>		
Side panel colors	White	White
Color panels—door & access	Trimless	Trimless
Decorative wood laminate top	Woodgrain	Woodgrain
<b>Weights &amp; Dimensions</b>		
Overall height w/legs extended (in.)	36-3/8	36-3/8
Overall width cabinet (in.)	24-5/8	24-5/8
Overall depth (in.)	27	27
Overall width countertop (in.)	24-7/8	24-7/8
Approx. shipping weight (lbs.)	130	130

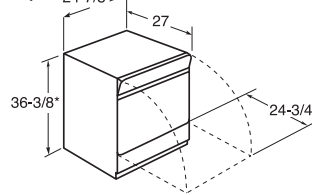
\*Subject to change.

\*\*Based on DOE test procedure, ANSI/AHAM DW-1.

\*\*\*Certified by National Sanitation Foundation

†dBA levels based on Owens-Corning IEC-60704 lab testing, 2009–2010.

### Convertible dishwasher dimensions (in inches)



\*Includes top and wheels

\*\*Includes countertop

**Important note:** GE kit number WD35M34 needed when adapting GE convertible dishwasher to a built-in installation. Contains built-in dishwasher water valve, hardware and complete instructions for changing a GE convertible dishwasher for under-the-counter installation.

### GSC3500V/GLC5604V

#### Electrical rating

Voltage AC.....	120
Hertz.....	60
Total connected load amperage.....	6.2
Calrod heater watts.....	500

For use on adequately wired 120V, 15-amp circuit having 2-wire service with a separate ground wire. This appliance must be grounded for safe operation.



(Excludes GSM1860/1800)

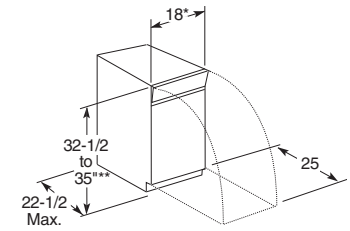
## GE Profile™ built-in 18" dishwasher

	GE Profile
	PDW1860NSS ZBD1850NII
Energy Factor (EF)*	0.73
Normal wash gallons per cycle**	5.4
Kilowatt hours/yr	305
Meets ADA guidelines	●
<b>Features</b>	
Tub and door liner	Stainless steel
Front appearance	Contour door
Wash levels	4
Wash arms	2
Water filtration	Manual Clean
Dual pumps and motors	●
Rinse aid dispenser	w/adjustment
Low rinse aid indicator	●
Electronic controls	●
Pushbuttons	3
Selections/Enhancements	7/1
<b>Selections</b>	
Heavy Wash	●
Normal Wash	●
Light Wash	●
Speed Wash	●
Glasses selection	●
Air-Dry	●
Rinse only	●
Delay start	●
<b>Racking</b>	
Utility shelves	2 upper
Silverware basket	Deluxe
	Sculptured/handle required on ZBD1850NII
<b>Door handle</b>	
<b>Dry</b>	
Calrod heating element	●
<b>Quiet</b>	
Tub insulation—blanket	●
Door insulation	●
Tub collar trim	●
<b>Weights &amp; Dimensions</b>	
Height w/legs retracted (in.)	32-1/2
Overall width (in.)	18
Overall depth (in.)	22-1/2
Approx. shipping weight (lbs.)	73
<b>Accessories</b>	
Lower bar rack	WD28X10228
	ZBD1850NII: Panel ready panel template Pub. No. 31-30244

\*Subject to change.

\*\*Based on DOE test procedure, ANSI/AHAM DW-1.

### 18" Spacemaker built-in dimensions (in inches)



\*Width adjustable from 17-5/8" to 18".

\*\*Meets ADA countertop height requirement of 34".

### 18" dishwashers electrical rating

Voltage AC.....	120
Hertz.....	60
Total connected load amperage.....	9.0
Calrod heater watts.....	550

For use on adequately wired 120V, 15-amp circuit having 2-wire service with a separate ground wire. This appliance must be grounded for safe operation.

# GE Spacemaker® built-in 18" dishwasher

GE	
<b>GSM1860NSS</b>	
<b>GSM1800NWW</b>	
<b>GSM1800NBB</b>	
Energy Factor (EF)*	0.76
Normal wash gallons per cycle**	5.8
Kilowatt hours/yr	281
Meets ADA guidelines	●
<b>Features</b>	
Tub and door liner	Stainless steel
Wash levels	4
Water filtration	Manual Clean
Rinse aid dispenser	w/adjustment
<b>Cycles</b>	
Cycles	7
Pots & Pans	Dial
Heavy Wash	Dial
Normal Wash	Dial
Light Wash	Dial
China/Crystal	Dial
Plate Warmer	Dial
Rinse Only	Dial
<b>Options</b>	
Heated Dry	1
Heated Dry	Rocker
<b>Racking (upper/lower)</b>	
Removable upper rack	●
Utility shelves	●
Silverware basket	Deluxe
Control type	Turn-to-start
Cycle progress indicator(s)	Dial
Solid surface install kit	N/A
Leveling screws	●
<b>Dry</b>	
Calrod heating element	●
<b>Quiet</b>	
Tub insulation—blanket	●
<b>Weights &amp; Dimensions</b>	
Height w/legs retracted (in.)	32-1/2
Overall width (in.)	18
Overall depth (in.)	22-1/2
Approx. shipping weight (lbs.)	100

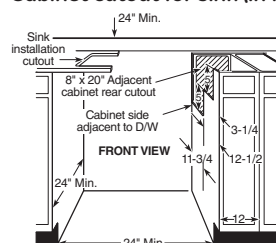
\*Subject to change.  
\*\*Based on DOE test procedure, ANSI/AHAM DW-1.

# GE Spacemaker under-the-sink dishwasher

GE	
<b>GSM2260VSS</b>	
<b>GSM2200VWW</b>	
<b>GSM2200VBB</b>	
<b>ENERGY STAR qualified</b>	
Energy Factor (EF)*	0.70
Normal wash gallons per cycle**	5.0
Kilowatt hours/yr	307
<b>Features</b>	
Tub door liner	PermaTuf
Wash levels	4
Food disposer	●
<b>Cycles</b>	
Cycles	5
Pots & Pans	●
Normal Wash	●
Plate Warmer	Dial
Rinse Only	Dial
Light Wash	Dial
<b>Options</b>	
Heated Dry	●
HotStart	Dial
<b>Racking</b>	
Upper rack	Spacemaker
Lower rack	Deluxe
Silverware basket	Deluxe
Control type	Turn-to-start
Cycle progress indicator	Dial
Pushbuttons	4
Hard countertop installation	GPF65
Rinse aid dispenser	●
Door latch	●
<b>Dry</b>	
Calrod heating element	●
<b>Quiet</b>	
Sound package†	64 dBA
<b>Appearance</b>	
Color panels—door & access	Trimless
<b>Weights &amp; Dimensions</b>	
Height w/legs retracted (in.)	34
Overall width (in.)	24
Overall depth (in.)	25-3/4
Approx. shipping weight (lbs.)	60

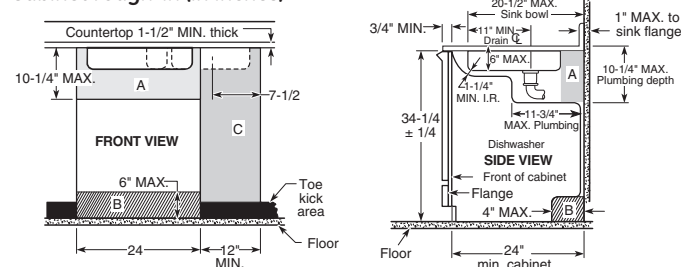
**Note:** Under-the-sink dishwashers can be installed under GE cooktop models JP256, JP201C and JP202D. Refer to cooktop installation instructions.

## Cabinet cutout for sink (in inches)



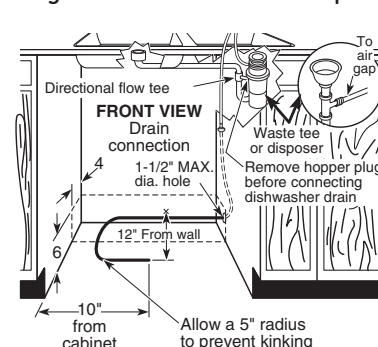
Cabinet cutouts for offset single- and double-bowl sinks. Dishwasher not provided with complete enclosure. Enclosures for sides, top, bottom, and back must be provided by installer at time of installation.

## Cabinet rough-in (in inches)

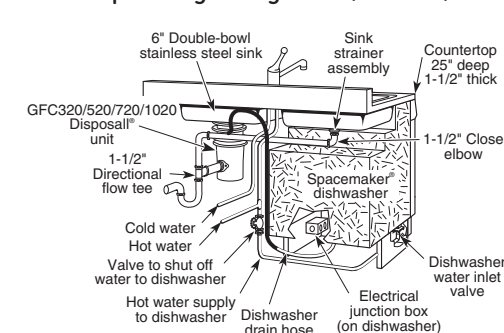


Either single- or double-bowl sink may be used, centered or offset, as shown in the front illustration above. The 20-1/2" max. dimension from wall to front of sink bowl must be accurate if dishwasher is to fit properly under sink. Water lines to sink faucet and drain from sink can be run through area "A". HOT WATER line to dishwasher is installed in area "B". Garbage disposer, water lines to faucet, trap, waste air gap and water cut-off valve are installed in 12" wide cabinet shown in area "C". Sink opening for garbage disposer must be dimensioned as shown in front view, area "C" above (7-1/2"). This will provide clearance for disposer and plumbing in cabinet "C" when using double-bowl sink. If the sink bowl is more than 20-1/2" max. specified distance from the wall, or if the base cabinet is less than the 24" min. depth from the wall, a gap between the tub front flange and the front of the base cabinet may result.

## Rough-in for installation with disposer (in inches)

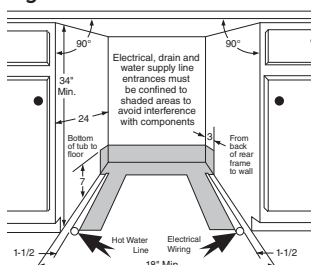


## Rear view plumbing arrangement (in inches)



A close-fitting elbow or special shallow sink strainer is necessary to provide clearance between sink drain and dishwasher. Dishwasher furnished with 1/2" I.D. drain hose, 78" long. If using copper tubing, 2" length of 1/2" I.D. rubber hose must be provided to connect copper tubing to pump outlet. Disposer should have 7/8" I.D. dishwasher drain connector.

Figure 1



## Dishwasher rough-in information

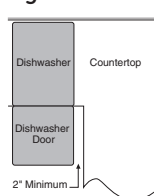
**Note:** Dishwasher must not be installed more than ten feet from sink for proper drainage. All plumbing and electrical work must be in accordance with local codes.

Most of the installation work should be done before the dishwasher is moved into place. First, select a location as close to the sink as possible for ready access to water and drain lines. For proper operation and appearance of the dishwasher, the cabinet opening should be square and have dimensions as shown in Figure 1. If the dishwasher is to be installed in a corner, there must be sufficient clearance to open the door as shown in Figure 2. A minimum clearance of 2" is recommended.

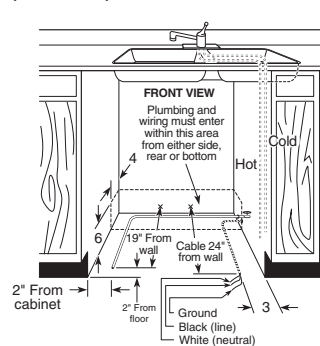
Rough-in the water, electrical, and drain lines before proceeding with installation. The lines should run straight to their connections on the dishwasher.

**Note:** Make sure that the lines do not cross in front of the dishwasher motor or its legs.

Figure 2



## Plumbing/electrical rough-in (in inches)



**Plumbing:** Hot Water Only: Use 3/8" O.D. copper tubing min. inlet line. Water valve has 3/8" internal threads. Hand cut-off valve is recommended.  
**Electrical:** Fuse circuit with 15 amp or 20 amp standard fuse or circuit breaker. Total amp load is 6.2. Dishwasher operates on 120V, 60 Hz power. Two-wire cable (14 ga. min.) with ground must be installed.

**Note:** All rough-in, both plumbing and electrical, must be completed before the dishwasher is installed. All plumbing and electrical work must be in accordance with local codes.

**Specifications:** Inlet Water Temperature Recommended: Minimum 120°F at dishwasher. Inlet Water Pressure Required: 15 to 120 lbs./sq. in.

Above illustrations intended for dimensional reference only. Refer to photography for actual product appearance.

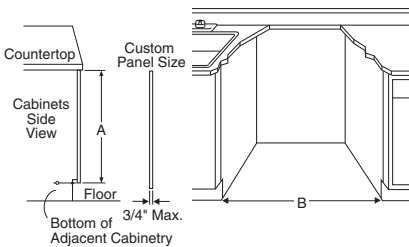
# Dishwasher and compactor accessories

	Café & Profile Stainless Tub	Profile Plastic Tub	GE Stainless Steel Tub	GE Plastic Tall Tub	GE Plastic Standard Tub	Convertibles	18" Dishwashers	Spacemaker Dishwashers	Compactors
GPF65—6' power cord	●	●	●	●	●		●		
GPF10L—10' drain hose for tall tub	●	●	●	●	●		●		
GPF10S—10' drain hose for standard tub					●				
GPF65—solid surface installation kit	Included	Included	Included	Included on select models	Sold separately		Included on PDW1800, not available for GSM1800		
WD28X10228—optional lower bar rack							Only for the PDW1800		
031-305691—panel template for PDWT502/PDWT302	Only for PDWT502VII/PDWT302VII								
31-30244—panel template for PDW1800NII							Only for the PDW1800NII		
WC60X5017—replacement compactor bags									●
WD35M34—convertible to built-in conversion kit						●			

## Custom panel information

### Custom panel for model PDWT502VII/PDWT302VII

Dishwasher requires custom panel.



### The most common panel dimensions are 30-1/4"H and 23-3/4"W.

#### STEP A: Determine custom panel height

1. Measure Dimension A from underside of countertop to bottom of adjacent cabinets.
2. Subtract 1/4". This allows a 1/4" clearance gap between the underside of the countertop and the top of the dishwasher door. Height is equal to A minus 1/4".

#### STEP B: Determine custom panel width

1. Measure dimension B, the rough opening width.
2. Subtract 1/4" for clearance (1/8" on each side). Width is equal to B minus 1/4".

**Note:** The panel height must be between 30-1/16" and 30-1/4". If the panel height is more than 30-1/4" it will prevent the door from swinging open. If the panel height is less than 30-1/16" it will not cover the dishwasher door frame.

A panel template, Pub. No. 031-305691, is boxed with each dishwasher or is also available at additional cost. Contact your local appliance dealer to order.

### Custom Panel Size Requirements for Model PDW1800NII

Panel height should be 26-25/32" (68 cm).

- The top of the custom panel must be flush with the top of the door. The 1/2" minimum gap between the top of the door and the bottom of the countertop must be maintained.

#### Width

Panel width must be 17-1/2" (44.4 cm).

- If the panel width is less than 17-1/2", it will not cover the dishwasher frame.

**IMPORTANT:** To ensure optimum door balance performance, the custom panel must not weigh more than 8 lbs.

## Installation information

### Dishwasher rough-in information

**Note:** Dishwasher must not be installed more than ten feet from sink for proper drainage. All plumbing and electrical work must be in accordance with local codes.

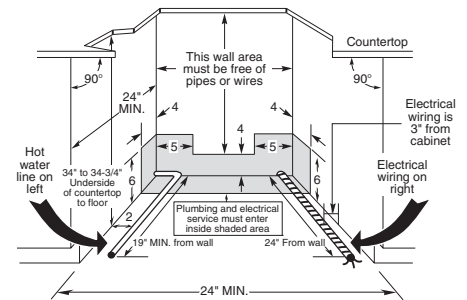
**Note:** If a flush look is needed, a 25" base cabinet needs to be used. (Except Profile Models).

The power cord and connections must comply with the National Electrical Code Section 422 and/or local codes and ordinances. The cord must be no longer than six feet from the junction box to the receptacle.

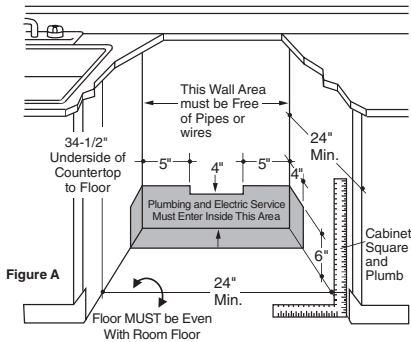


Listed by Underwriters Laboratories

### GE Profile™ dishwashers installation information (in inches)

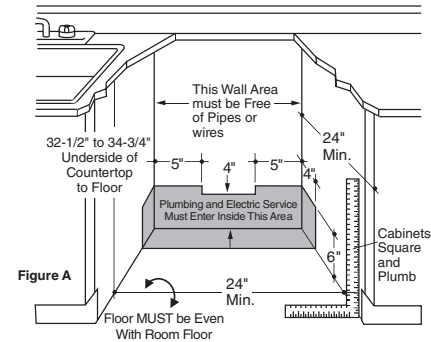


### GE® dishwashers installation information (in inches)



- The rough cabinet opening must be at least 24" deep, 24" wide and approximately 34-1/2" high from floor to underside of the countertop.

### GLDA690/696 and GLDT690/696 installation information (in inches)



- The rough cabinet opening must be at least 24" deep, 24" wide and approximately 32-1/2" to 34-3/4" high from floor to underside of the countertop.

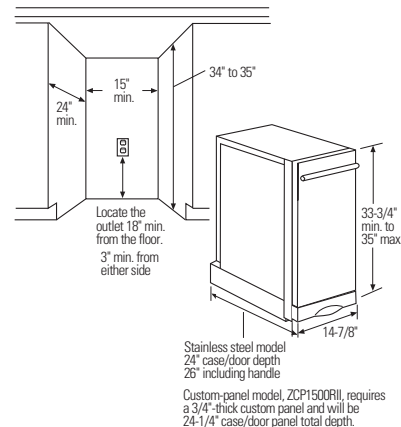


## Built-in compactors

Features	GE Profile™	
	GCG1580RSS GCG1500RWW GCG1500RBB	ZCGP1500RII
Cycle time	30 seconds maximum	30 seconds maximum
Drive system	2-Point	2-Point
Motor horsepower	1/3	1/3
Compression ratio (average)	75% reduction of volume	75% reduction of volume
Ram force (lb.) (max.)	2,300	2,300
Front level legs and rear wheels	●	●
Capacity	1.4 cu. ft.	1.4 cu. ft.
Side-release bin	●	●
Toe/foot pedal drawer opener	●	●
Lock/start control w/removable key	●	●
Automatic anti-jam	●	●
Slide-out drawer	●	●
<b>Appearance</b>		
Hidden controls	●	●
Handle	Sculptured	Handle required
<b>Weights &amp; Dimensions</b>		
Total shipping weight (lbs.)	152	140
Total appliance weight (lbs.)	141	128
Overall height (in.)	33-3/4 to 35	32-3/8 to 35
Overall width (in.)	14-7/8	14-7/8
Overall depth (in.)	24	24
Cutout dimensions H x W x D (in.)	34-35 x 15 min x 24	34-35 x 15 min x 24
Clearance for drop-down drawer side	6" or more on right side	6" or more on right side
Drawer extension for removal	23" or more in front of appliance	23" or more in front of appliance
<b>Accessories</b>		
Compactor bags (2 included)	WC60X5017	WC60X5017
<b>Warranty</b>		
One-year limited warranty**	●	●

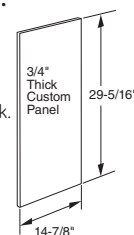
\*\*See written warranty for details.

### Compactor dimensions (in inches)



### Installing a custom panel:

Dimensions  
Use these dimension drawings to create a custom panel for use without a trim kit. The panel should be a minimum of 3/4" thick.



## GE Disposall® food waste disposers

Features	GE continuous feed								batch feed
	GFC1020V	GFC720V	GFC530V	GFC535V	GFC520V	GFC525V	GFC320V	GFC325V	GFB760V
Motor horsepower	1	3/4	1/2	1/2	1/2	1/2	1/3	1/3	3/4
Control method	Wall switch	Wall switch	Wall switch	Wall switch	Wall switch	Wall switch	Wall switch	Wall switch	Stopper
Feed type	Continuous	Continuous	Continuous	Continuous	Continuous	Continuous	Continuous	Continuous	Batch
Power connection	Direct wire	Direct wire	Direct wire	Line cord	Direct wire	Line cord	Direct wire	Line cord	Direct wire
Impellers									
Dual-swivel	●	●	●	●	●	●	●	●	●
Jam resistant	●	●	●	●	●	●	●	●	●
Stainless steel	●	●	●	●	●	●	●	●	●
Armature shaft material	Cold-rolled carbon steel	Cold-rolled carbon steel	Cold-rolled carbon steel	Cold-rolled carbon steel	Cold-rolled carbon steel	Cold-rolled carbon steel	Cold-rolled carbon steel	Cold-rolled carbon steel	Cold-rolled carbon steel
Grinding speed (RPMs)*	Over 3,500	Over 3,100	Over 2,800	Over 2,800	Over 2,800	Over 2,800	Over 2,500	Over 2,500	Over 3,100
Capacity	Super	Super	Extra-large	Extra-large	Large	Large	Large	Large	Super
Mounting type	EZ-mount	EZ-mount	EZ-mount	EZ-mount	EZ-mount	EZ-mount	EZ-mount	EZ-mount	EZ-mount
Turntable material	Stainless	Stainless	Stainless	Stainless	Galv. steel	Galv. steel	Galv. steel	Galv. steel	Stainless
Two-level pre-cutter	●	●	●	●	●	●	●	●	●
Stainless steel sink flange	●	●	●	●	●	●	●	●	●
Manual reset overload protector	●	●	●	●	●	●	●	●	●
Splash guard	●	●	●	●	●	●	●	●	●
Sink stopper	●	●	●	●	●	●	●	●	●
DrainBoost™	●	●	●	●	●	●	●	●	●
Dishwasher drain connector	●	●	●	●	●	●	●	●	●
Drain elbow	●	●	●	●	●	●	●	●	●
<b>Quiet</b>									
Sound reduction technology	●	●	●	●					●
<b>Weights &amp; Dimensions</b>									
Approx. shipping weight (lbs.)	14.9	12.45	9.6	9.9	8.8	9.1	8.4	8.7	13.75
Net weight (lbs.)	13.2	10.7	8.05	8.35	7.8	8.1	7.4	7.7	11
Dishwasher inlet diameter (in.)	1	1	1	1	1	1	1	1	1
Drain outlet diameter (in.)	1-1/2	1-1/2	1-1/2	1-1/2	1-1/2	1-1/2	1-1/2	1-1/2	1-1/2
<b>Power Ratings</b>									
Volts, Hertz, Amps	120; 60; 7.0	120; 60; 6.0	120; 60; 4.5	120; 60; 4.5	120; 60; 4.5	120; 60; 4.5	120; 60; 4.0	120; 60; 4.0	120; 60; 6.0
<b>Accessories</b>									
Power cord	WC12X10002	WC12X10002	WC12X10002		WC12X10002		WC12X10002		WC12X10002
<b>Warranty</b>									
One-year limited replacement warranty**	●	●	●	●	●	●	●	●	●
Additional limited parts warranty**	6-year	4-year	2-year	2-year	1-year	1-year			4-year

\*Based on RPM testing of cleared GE and competitive models.

\*\*See written warranty for details.

Above illustrations intended for dimensional reference only. Refer to photography for actual product appearance.

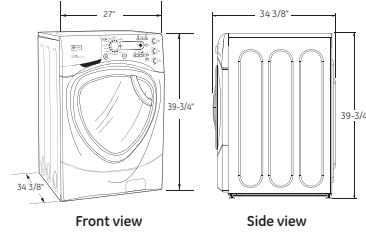
See page 196 for warranty information.

# GE Profile™ frontload washer

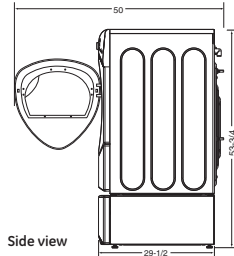
GE Profile	
PFWS4600L PFWS4605L	
<b>Capacity</b>	
Cubic feet	4.3 DOE*
<b>Features</b>	
<b>ENERGY STAR® qualified</b>	●
CEE tier rating**	3
ADA compliant	●
SmartDispense™	SPBD880J required
Liquid detergent dispenser	●
Fabric softener dispenser	●
SteamRefresh	●
Steam Assist	●
Flow-Thru™ dispenser	Manual
Liquid or powder detergent	●
Bleach	●
Fabric softener	●
Pretreat	●
Wash/rinse temperatures	5 with Sanitize
Water levels	Automatic
Adaptive Vibration Control	●
Custom Cycle (My Cycle)	●
Overnight Ready	●
eWash	●
Stain Inspector™	●
Interior tub light	●
Number of cycles	Multiple
Control type	Rotary-electronic
End-of-cycle signal	Adjustable
Wash/spin speed combinations	8
RPM spin speed	1300
Water temperature system	HydroTemp™
Adaptive capabilities	Load size
<b>Cycles</b>	
Colors/Normal	●
Delicates	●
Wrinkle Free	●
Hand Wash	●
Whites/Heavy duty	●
Optional soil levels	5
2nd rinse	●
Drain and spin	●
Prewash	●
Active wear	●
Basket Clean	●
Speed Wash	●
<b>Specialty cycles</b>	
Comforter	●
Fleece	●
Performance fabrics	●
Pet bedding	●
Special cotton care	●
Throw rugs	●
<b>Additional features</b>	
Cycle countdown	Digital readout
Cycle status lights	LED
Delay start	●
Door style	See-thru glass
Noise package	Luxury
Wide-base suspension system	●
Leveling legs	●
Handle	TrueGrip™
Inlet hoses included	●
Storage pedestal available at additional cost	SPSD157J
Stacking kit available at additional cost	GEFLSTACK
<b>Appearance</b>	
Colors available†	WW, MG
<b>Weights &amp; Dimensions</b>	
Approx. shipping weight (lbs.)	254
Flexible installation	Undercounter, stacked, side-by-side
<b>Power/Ratings</b>	
Modified Energy Factor (MEF)	2.69
Water Factor (WF)	3.9
Circuit breaker or time-delay fuse	15 or 20 amps
Volts/Hz	120V, 60Hz

\*Department of Energy.  
\*\*In accordance with CEE High Efficiency specifications for residential clothes washers (effective 1/1/2011).  
†WW = White on white, MG = Champagne.

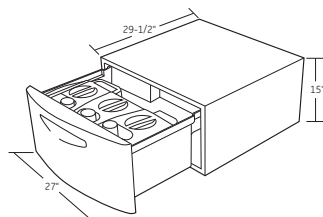
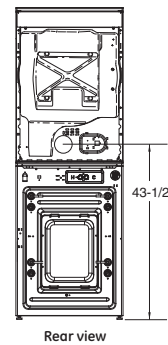
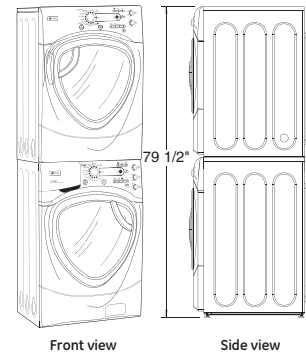
## Frontload washer dimensions (in inches)



## Washer dimensions with door open (in inches)



## Stacked dimensions (in inches)



## SmartDispense pedestal dimensions (in inches)

For 4.3 cu. ft. GE Profile frontload washers.  
SPBD880JWW-White  
SPBD880JMG-Champagne

Note: A hard water test strip, WX5X370, is shipped with SmartDispense pedestal.

# GE Profile frontload dryer

GE Profile	
PFDS450EL/GL PFDS455EL/GL	
<b>Capacity</b>	
Cubic feet	7.5
<b>Features</b>	
ADA compliant	●
DuoDry™ system	●
Dual motors	●
Dual moisture sensor	●
Variable motor	●
Control type	Rotary-electronic
Cycle countdown	Digital readout
Cycle status lights	LED
Reverse tumble	●
Baffle Dry system	●
Heat selections	5 with Antibacterial
Number of cycles	Multiple
<b>Cycles</b>	
eDry	●
CleanSpeak™	●
Fleece	●
Performance fabrics	●
Speed Dry	●
Cotton cycle	●
Custom cycle (My Cycle)	●
Delicate cycle	●
Wrinkle Free	●
Mixed loads cycle	●
Antibacterial cycle	●
Active wear	●
SteamRefresh	●
Steam Dewrinkle	●
Optional dryness levels	5
Timed dry	15 to 90 minutes
Add Time	●
<b>Additional features</b>	
Damp dry signal	●
Dryer interior light	●
Delay start	●
End-of-cycle signal	Adjustable
Door style	See-thru glass
Drum interior	Stainless steel
Leveling legs	●
Reverse-a-Door	●
Exhaust options (electric/gas)	4/3
Handle	TrueGrip™
Extended venting capability	150'
Storage pedestal available at additional cost	SPSD157J
<b>Appearance</b>	
Colors available*	WW, MG
<b>Weights &amp; Dimensions</b>	
Approx. shipping weight (lbs.) E/G	152/158
Flexible installation	Undercounter, stacked, side-by-side
LP conversion kit (sold separately)	WE25M46

\*WW = White on white, MG = Champagne.

## Dryer specifications

### Exhaust options:

**Electric:** 4-way via rear, right, left and bottom.

**Gas:** For 7.5 cu. ft. dryers, when viewed from the front of the unit, exhaust 3-way via rear, left and bottom. Dryer is shipped exhausted to the rear. Alternate exhausting knockouts are supplied.

### Circuit requirements:

**Electric:** An individual, properly grounded branch circuit, protected by a 30-amp circuit breaker or a time-delay fuse is required.

### Electric dryer rating:

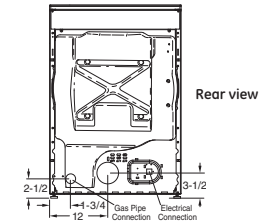
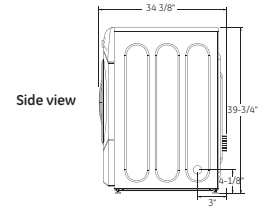
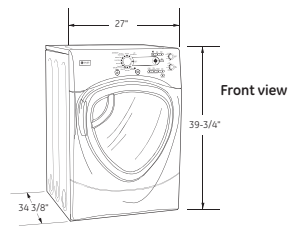
240V, 5600W, 24A, 60Hz—7.5 cu. ft. dryers  
208V, 4400W, 22A, 60Hz—7.0 cu. ft. dryers

**Gas:** An individual, properly grounded branch circuit, with a three-prong grounding-type receptacle, protected by a 15- or 20-amp circuit breaker or a time-delay fuse is required.

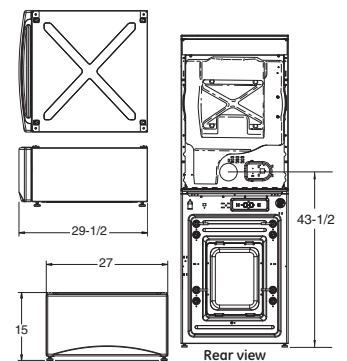
### NEMA receptacle codes:

3-prong dryer cord/30A/4' long (cat #WX9X2) is for NEMA10-30R receptacle  
4-prong dryer cord/30A/4' long (cat #WX9X18) is for NEMA14-30R receptacle

## Frontload dryer dimensions (in inches)



## Storage pedestal dimensions (in inches)



For 4.3 cu. ft. GE Profile frontload washers and 7.5 cu. ft. GE Profile frontload dryers.  
SPSD157JWW-White  
SPSD157JMG-Champagne

### Gas dryer electric rating:

120V, 60Hz, 6A

### Gas (BTU/HR):

22,000 for 7.5 cu. ft. dryers. Factory-equipped for natural gas. LP gas supply requires an optional conversion kit: 7.5 cu. ft. model kit is WE25M46. Have a qualified gas technician install a conversion kit. See dryer ducting information for proper installation.

Note: An extra-length (10 ft.) communication cable, Pub. No. 14-A013 is available for 7.5 cu. ft. dryers.

**Dryer note:** Dryer wall outlet must be located within 36" of service cord entry and accessible when dryer is mounted in position.

### Stacked installation

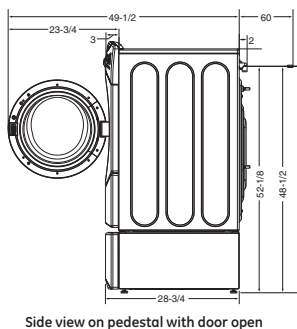
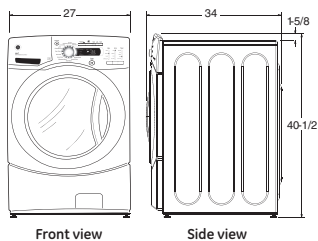
Brackets for stacking dryers PFDS450EL/GL, PFDS455EL/GL are available at additional cost. Order part no. WE25X10028 or GEFLSTACK.

# GE® frontload washers

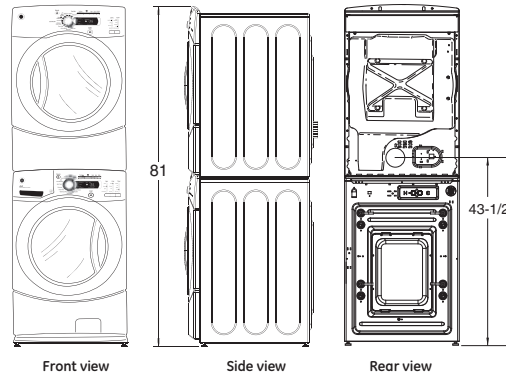
	GE				
	GFWS3500L	GFWH2400L	GFWN1100L	GFWS1500D GFWH1400D	GFWH1200D
<b>Capacity</b>					
Cubic feet	4.1 DOE*	4.1 DOE*	3.5 DOE*	4.0 DOE*	3.6 DOE*
<b>Features</b>					
<b>ENERGY STAR qualified</b>	●	●	●	●	●
CEE tier rating**	3	3	2	3	3
ADA compliant	●	●	●	●	●
Wash/rinse temperatures	5 with Sanitize	5 with Sanitize	3	5 with Sanitize	5 with Sanitize
Water levels	Automatic	Automatic	Automatic	Automatic	Automatic
Vibration Control	Adaptive	Adaptive			
HydroMotion™ wash	●	●	●	●	●
HydroHeater™	●	●		●	●
Custom cycle (My Cycle)	●			●	
SteamRefresh	●				
Steam Assist	●	●		● / -	
eWash	●			●	●
Number of cycles	12	11	7	9	7
Specialty cycles	Active wear	Active wear		Sanitize	Sanitize
Bulky/Bedding				●	
Detergent dispenser (liquid/powder)	Flow-Thru timed	Flow-Thru timed	Flow-Thru timed	Flow-Thru timed	Flow-Thru timed
Bleach dispenser	Flow-Thru timed	Flow-Thru timed	Flow-Thru timed	Flow-Thru timed	Flow-Thru timed
Fabric softener dispenser	Flow-Thru timed	Flow-Thru timed	Flow-Thru timed	Flow-Thru timed	Flow-Thru timed
Pretreat dispenser	●	●		●	
Control type	Electronic	Electronic	Electronic	Electronic	Electronic
End-of-cycle signal	Adjustable	Adjustable	●	Adjustable	●
Wash/spin speed combinations	6	6	5	5	4
RPM spin speed	1200	1200	1000	1100	1100
Water temperature system	HydroTemp™	HydroTemp	PerfecTemp™	HydroTemp	HydroTemp
Colors/Normal	●	●	●	●	●
Delicates	●	●		●	●
Easy Care	●	●		●	●
Hand Wash	●	●		●	●
Whites/Heavy duty	●	●	●	●	●
Optional soil levels	4	4	3	5	4
Basket Clean	●	●		●	●
2nd rinse	●	●	●	●	●
Adaptive capabilities	Load size	Load size	Load size	Load size	Load size
Cycle countdown	with LED indicators	with LED indicators	with LED indicators	with LED indicators	with LED indicators
Cycle status lights	●	●	●	●	●
Delay start	●	●	●	●	●
Drain and spin	●	●	●	●	●
Prewash	●	●	●	●	●
Speed Wash	●	●	●	●	●
Stain Wash	●	●	●	●	●
Door style	See-thru glass	See-thru glass	See-thru glass	See-thru glass	See-thru glass
Noise package	Luxury	Luxury	Quiet-by-Design™	Luxury	Luxury
Leveling legs	●	●	●	●	●
Stainless steel wash basket	●	●	●	●	●
Handle	TrueGrip™	TrueGrip	Pocket	Pocket	Pocket
Inlet hoses included	●	●	●	●	●
Pedestal available at additional cost	SBSD137	SBSD137	SBSD137	SBSD137	SBSD137
Stacking kit available at additional cost	GEFLSTACK	GEFLSTACK	GEFLSTACK	GEFLSTACK	GEFLSTACK
<b>Appearance</b>					
Colors available†	WW	WW	WW	WW	WW
<b>Weights &amp; Dimensions</b>					
Approx. shipping weight (lbs.)	251	249	225	249	248
Flexible installation	Undercounter, stacked, side-by-side	Undercounter, stacked, side-by-side	Undercounter, stacked, side-by-side	Undercounter, stacked, side-by-side	Undercounter, stacked, side-by-side
<b>Power/Ratings</b>					
Modified Energy Factor (MEF)	2.61	2.61	2.20	TBD	TBD
Water Factor (WF)	3.9	3.9	4.0	TBD	TBD
Circuit breaker or Time-delay fuse	15 or 20 amps	15 or 20 amps	15 or 20 amps	15 or 20 amps	15 or 20 amps
Volts/Hertz	120V; 60Hz				

\*Department of Energy.  
 \*\*In accordance with CEE High Efficiency specifications for residential clothes washers effective 1/1/2011.  
 †WW = White on white.

## Washer dimensions (in inches) Models GFWS3500L, GFWH2400L and GFWN1100L



## Stacked dimensions (in inches) Models GFWS3500L/ GFDS350EL/GL, GFWH2400L/ GFDN240EL/GL and GFWN1100L/ GFDN110EL/GL



Refrigeration  
 Cooking products  
 Microwave ovens  
 Dishwashers  
 Clothes care  
 Water heaters  
 Air conditioning

# GE® frontload dryers

	GE					
	GFDS350EL/GL	GFDN240EL/GL	GFDN110EL/GL	GFDS150ED/GD	GFDS140ED/GD	GFDN120ED/GD
<b>Capacity</b>						
Cubic feet	7.5	7.0	7.0	7.5	7.0	7.0
<b>Features</b>						
ADA compliant	●	●	●	●	●	●
Moisture sensor	HE SensorDry™	HE SensorDry	HE SensorDry	HE SensorDry	HE SensorDry	HE SensorDry
Control type	Rotary-electronic w/LED indicators	Rotary-electronic w/LED indicators	Rotary-electronic w/LED indicators	Rotary-electronic w/LED indicators	Rotary-electronic w/LED indicators	Rotary-electronic w/LED indicators
Cycle countdown	●	●	●	●	●	●
Cycle status lights	●	●	●	●	●	●
Dual thermistors	●	●	●	●	●	●
Heat selections	5	5	4	4	4	4
SteamRefresh	●					
Steam Dewrinkle	●			●	●	
eDry	●	●		●	●	●
Number of cycles	11	9	10	9	9	7
Active wear	●	●				
Bulky/Bedding				●	●	
Cotton cycle	●	●	●	●	●	●
Custom cycle (My Cycle)	●	●	●	●	●	●
Delicate cycle	●	●	●	●	●	●
Easy Care cycle	●	●	●	●	●	●
Normal/mixed loads cycle	●	●	●	●	●	●
Antibacterial cycle	●	●				
Optional dryness levels—Damp	●	●		●	●	●
Adjustable dryness levels—Dry	●	●	●	●	●	●
Optional dryness levels—Less dry	●	●	●	●	●	●
Optional dryness levels—More dry	●	●	●	●	●	●
Timed dry—actual minutes on timer	90	90	90	90	90	90
Add Time	●	●	●	●	●	●
Dewrinkle	●	●	●	●	●	●
Damp dry signal	●	●	●	●	●	●
Dryer interior light	●	●	●	●	●	●
Dryer rack	Deluxe	Deluxe	Deluxe			
End-of-cycle signal	Adjustable	Adjustable		Adjustable	Adjustable	●
100% front serviceable	●	●	●	●	●	●
Door style	See-thru glass	See-thru glass	See-thru glass	See-thru glass	See-thru glass	See-thru glass
Drum interior	Stainless steel	Stainless steel	DuraDrum	Stainless steel	DuraDrum	DuraDrum
Leveling legs	●	●	●	●	●	●
Reverse-a-Door	●	●	●	●	●	●
Exhaust options (electric/gas)	4/3	4/3	4/3	4/3	4/3	4/3
Handle	TrueGrip™	TrueGrip	Pocket	Pocket	Pocket	Pocket
Pedestal available at additional cost	SBSD137	SBSD137	SBSD137	SBSD137	SBSD137	SBSD137
<b>Appearance</b>						
Colors available*	WW	WW	WW	WW	WW	WW
<b>Weights &amp; Dimensions</b>						
Approx. shipping weight (lbs.) E/G	138/144	135/141	125/130	135/141	130/135	130/135
Flexible installation	Undercounter, stacked, side-by-side	Undercounter, stacked, side-by-side	Undercounter, stacked, side-by-side	Undercounter, stacked, side-by-side	Undercounter, stacked, side-by-side	Undercounter, stacked, side-by-side
LP conversion kit (sold separately)	WE25X0217	WE25X0217	WE25X0217	WE25X0217	WE25X0217	WE25X0217

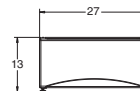
\*WW = White on white.

## Pedestal dimensions (in inches)

For 4.1, 4.0, 3.6 and 3.5 cu. ft. frontload washers and 7.0 and 7.5 cu. ft. frontload dryers.

## SBSD137HWW-white

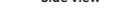
This optional 13" pedestal raises the door opening and height of the washer or dryer. Feet on 13" pedestal allow it to adjust to 13-3/8" height.



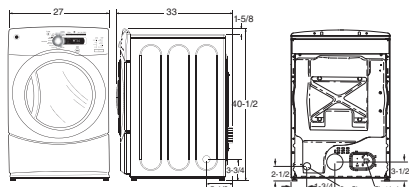
Front view



Side view



## Dryer dimensions (in inches) Models GFDS350EL/GL, GFDN240EL/GL, and GFDN110EL/GL

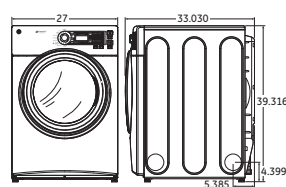


Front view

Side view

Rear view

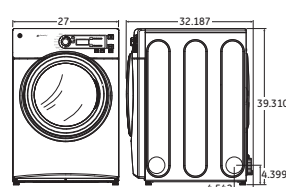
## Dryer dimensions (in inches) Model GFDS150ED/GD



Front view

Side view

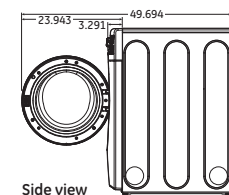
## Dryer dimensions (in inches) Models GFDS140ED/GD and GFDN120ED/GD



Front view

Side view

## Dryer dimensions with door open (in inches) Models GFDS150ED/GD, GFDS140ED/GD and GFDN120ED/GD



Side view

See stacked dimensions with models GFWS3500L and GFDS350EL/GL on previous page.

See stacked dimensions with models GFWS1500 and GFDS150 on previous page.

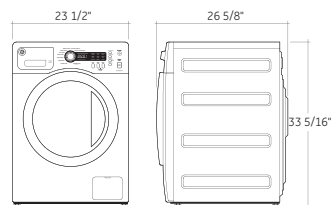
Note: Frontload dryer models have the same venting specs as all other GE and GE Profile™ 7.0 cu. ft. capacity dryers. For more information on all dryer vent kit pubs, see page 281.

## GE frontload washer

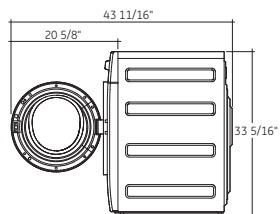
GE	
WCVH4800K	
<b>Capacity</b>	
Cubic feet	2.2 DOE*
<b>Features</b>	
<b>ENERGY STAR® qualified</b>	●
CEE tier rating**	2
ADA compliant	●
Wash/rinse temperatures	5 with Sanitize
Water levels	Automatic
HydroHeater™	●
Number of cycles	10
Specialty cycles	Active wear
Basket Clean	●
Detergent dispenser (liquid/powder)	●
Bleach dispenser	●
Fabric softener dispenser	●
Control type	Electronic
End-of-cycle signal	●
Wash/spin speed combinations	5
RPM spin speed	1400
Water temperature system	PerfectTemp™
Colors	●
Delicates	●
Wrinkle Free	●
Hand Wash	●
Whites	●
Heavy duty	●
Optional soil levels	●
2nd rinse	●
Adaptive capabilities	Load size
Cycle countdown	with LED indicators
Cycle status lights	●
Delay start	●
Drain and spin	●
Rinse and spin	●
Speed Wash	●
Door style	See-thru glass
Noise package	Deluxe Quiet
Leveling legs	●
Stainless steel wash basket	●
Inlet hoses included	●
Drain hose	WH41X10082
Stacking kit available at additional cost	GE24STACK
Pedestal available at additional cost	N/A
<b>Appearance</b>	
Colors available†	WW
<b>Weights &amp; Dimensions</b>	
Approx. shipping weight (lbs.)	159
Flexible installation	●
<b>Power/Ratings</b>	
Modified Energy Factor (MEF)	2.3
Water Factor (WF)	4.3

\*Department of Energy.  
 \*\*In accordance with CEE High Efficiency specifications for residential clothes washers (effective 1/1/2011).  
 †WW = White on white.

### Washer dimensions (in inches)



### Washer dimensions with door open (in inches)



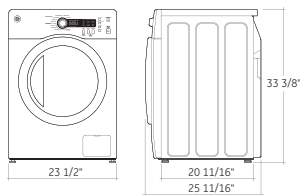
Above illustrations intended for dimensional reference only. Refer to photography for actual product appearance.

## GE frontload dryers

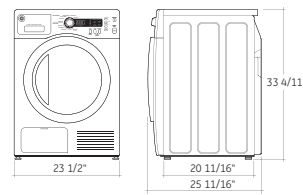
GE		
	DCVH480EK	DCCH480EK
<b>Capacity</b>		
Cubic feet	4.0	4.0
<b>Features</b>		
ADA compliant	●	●
Moisture sensor	HE SensorDry™	HE SensorDry
Control type	Electronic	Electronic
Cycle countdown	with LED indicators	with LED indicators
Cycle status lights	●	●
Heat selections	5	5
Number of cycles	10	10
Specialty cycles	Active wear	Active wear
Cotton cycle	●	●
Delicate cycle	●	●
Wrinkle Free	●	●
Mixed loads cycle	●	●
Antibacterial cycle	●	●
Speed dry	●	●
Timed dry	●	●
Air Fluff	●	●
Warm up	●	●
Extended tumble	●	●
Dewrinkle	●	●
Damp dry signal	●	●
Dryer interior light	●	●
Clean lint filter reminder	●	●
Delay start	18 hours	18 hours
End-of-cycle signal	●	●
100% front serviceable	●	●
Door style	See-thru glass	See-thru glass
Noise package	Deluxe Quiet	Deluxe Quiet
Drum interior	Stainless steel	Stainless steel
Leveling legs	●	●
Reverse-a-Door	●	●
Exhaust options (electric)	Rear, left, right, bottom	Ventless condenser
Pedestal available at additional cost	NA	NA
<b>Appearance</b>		
Colors available*	WW	WW
<b>Weights &amp; Dimensions</b>		
Approx. shipping wt. (Elec) (lbs.)	99	99
Flexible installation	●	●
<b>Power/Ratings</b>		
Volts/Hertz/Wattage	240V/60Hz/3000W	240V/60Hz/3000W

\*WW=White on white.

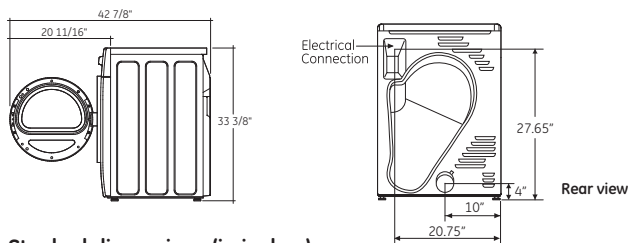
### Dryer dimensions (in inches)



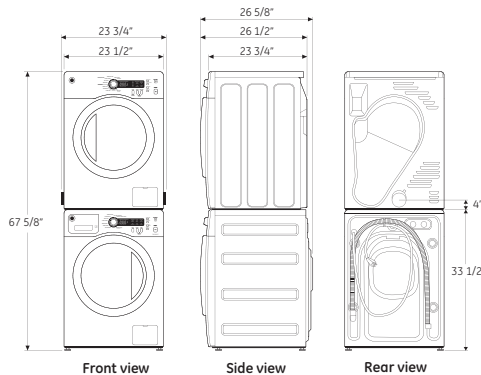
### Ventless dryer dimensions (in inches)



### Dryer dimensions with door open (in inches)



### Stacked dimensions (in inches)



### Washer specifications

**Circuit requirements:** An individual, properly grounded branch circuit, with a three-prong grounding-type receptacle, protected by a 15- or 20-amp circuit breaker or time-delay fuse is required.

**Electrical requirements:** 120V, 60 Hertz, 12.0 Amps  
 See pub. no. 31-2819 for installation information.

Refrigeration

Cooking products

Microwave ovens

Dishwashers

Clothes care

Water heaters

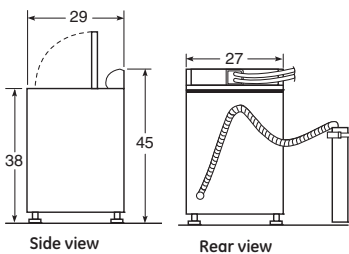
Air conditioning

# GE Profile™ topload washer

	GE Profile	
	PTWN8050M	PTWN8055M
<b>Capacity</b>	4.5 DOE*	
Capacity cu. ft.	4.5 DOE*	
<b>Energy</b>		
<b>ENERGY STAR® qualified</b>	●	
CEE tier rating**	2	
<b>Controls</b>		
Electronic	●	
Status indicators	LED display	
Cycle countdown	LED	
Adaptive capabilities	Adaptive fill	
TidalWave wash system	●	
HydroHeater™	●	
Water temp system	RightTemp™	
Wash/rinse temps	5	
Water levels	Automatic	
<b>Wash system</b>		
Wash basket	Stainless steel	
Wash mechanism	Infusor™	
Wash/spin combinations	Multiple	
<b>Drive system</b>		
Variable-speed motor	Direct drive	
Maximum spin speed	1010 RPM	
<b>Dispensers</b>		
Bleach	Flow-Thru™ timed	
Fabric softener	Flow-Thru timed	
Detergent	Flow-Thru timed	
<b>Signals</b>		
End-of-cycle	Variable	
<b>Wash cycles</b>		
Number of cycles	Multiple	
Custom cycles	2	
<b>Cycle selections</b>		
Whites/cottons	●	
Colors	●	
Easy Care	●	
Hand Wash	●	
Specialty cycles	Multiple	
<b>Program options</b>		
Optional soil levels	5	
<b>Special cycles</b>		
Delay start	●	
Speed Wash	●	
Prewash	●	
2nd rinse	●	
Extended spin	●	
Rinse and spin	●	
Spin only	●	
Fabric softener	●	
<b>Additional features</b>		
Quiet performance	Supreme	
QuietClose hydraulic glass lid	●	
Color lid instructions	●	
Inlet hoses included	●	
<b>Appearance</b>		
Backsplash color	Color-matched	
Colors available†	MS, WW	
<b>Weights &amp; Dimensions</b>		
Approx. shipping weight (lbs.)	172	
<b>Power/Ratings</b>		
Modified Energy Factor (MEF)	2.21	
Water Factor (WF)	4.49	

\*Department of Energy.  
 \*\*In accordance with CEE High Efficiency specifications for residential clothes washers (effective 1/1/2011).  
 †MS = Metallic silver, WW = White on white.

## Washer dimensions (in inches) GE Profile Harmony™ washer



## Washer specifications

**Circuit requirements:** An individual, properly grounded branch circuit, with a three-prong grounding-type receptacle, protected by a 15- or 20-amp circuit breaker or time-delay fuse is required.

**Electrical rating:** 115V, 60Hz, 10A

**Washer note:** Washer wall outlet must be located within 36" of service cord entry. Wall outlet must not be located behind dryer.

# GE Profile topload matching dryers

	GE Profile	
	PTDS850EM/GM	PTDN800EM/GM
	PTDS855EM/GM	PTDN805EM/GM
<b>Capacity</b>	7.3	
Capacity cu. ft.	7.3	
<b>Controls</b>		
Electronic	●	
Status indicators	LED	
Cycle countdown	LED	
Adaptive Logic™	●	
Heat selections	5	
<b>Dry system</b>		
Clothing moisture sensor	HE SensorDry™	HE SensorDry
Temperature sensor	Dual thermistors	Dual thermistors
Dryer drum	Stainless steel	Stainless steel
<b>Signals</b>		
End-of-cycle	Variable	
<b>Dry cycles</b>		
Number of cycles	Multiple	
Custom cycles	2	
<b>Cycle selections</b>		
Cottons	●	
Mixed loads	●	
Easy Care	●	
Knits sweaters	●	
Delicates	●	
Specialty cycles	Multiple	
<b>Program options</b>		
More dry	●	
Dry	●	
Less dry	●	
Damp dry	●	
<b>Timed dry</b>		
Time control	100 min.	
<b>Special cycles</b>		
SteamRefresh	●	
Steam Dewrinkle	●	
Comforter Refresh	●	
Speed dry	●	
Antibacterial cycle	●	
Delay start	●	
Add time option	●	
Dewrinkle	●	
Quick Fluff™ (no heat)	●	
Optional wrinkle care	●	
<b>Additional Features</b>		
Quiet performance	Supreme	Supreme
Quiet drum	●	
Duct sensing	●	
Deluxe dryer rack	●	
Dryer interior light	●	
Clean lint filter reminder	●	
Reverse-a-Door	●	
<b>Appearance</b>		
Backsplash color	Color-matched	Color-matched
Colors available*	WW, MS	WW, MS
<b>Weights &amp; Dimensions</b>		
Approx. shipping weight—elec. (lbs.)	145	143
Approx. shipping weight—gas (lbs.)	150	148
LP conversion kit (sold separately)	WE25X10026	WE25X10026

\*WW = White on white, MS = Metallic silver.

## Dryer specifications

### Exhaust options:

**Electric:** 4-way via rear, right, left and bottom.

**Gas:** For 7.1 and 7.3 cu. ft. dryers, when viewed from the front of the unit, exhaust 3-way via rear, left and bottom. Dryer is shipped exhausted to the rear. Alternate exhausting knockouts are supplied.

### Circuit requirements:

**Electric:** An individual, properly grounded branch circuit, protected by a 30-amp circuit breaker or a time-delay fuse is required.

### Electric dryer rating:

240V, 6000W, 28.5A, 60Hz—7.3 cu. ft. dryers  
 240V, 5600W, 24A, 60Hz—7.1, 7.5 cu. ft. dryers  
 208V, 4400W, 22A, 60Hz—7.1, 7.5 cu. ft. dryers

**Gas:** An individual, properly grounded branch circuit, with a three-prong grounding-type receptacle, protected by a 15- or 20-amp circuit breaker or a time-delay fuse is required.

### NEMA receptacle codes:

3-prong dryer cord/30A/4' long (cat #WX9X2) is for NEMA10-30R receptacle  
 4-prong dryer cord/30A/4' long (cat #WX9X18) is for NEMA14-30R receptacle

### Gas dryer electric rating:

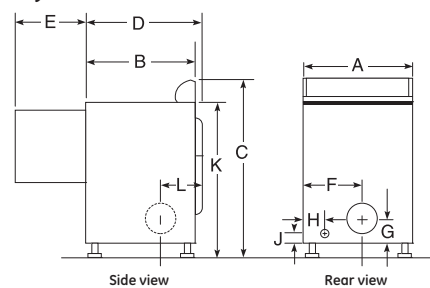
120V, 60Hz, 6A

**Gas (BTU/HR):** 22,000 for 7.1 cu. ft. dryers and 25,000 for 7.3 cu. ft. dryers. Factory-equipped for natural gas. Tested for LP gas. LP gas supply requires an optional conversion kit: 7.1 cu. ft. model kit is WE25X0217; and 7.3 cu. ft. model kits are WE25X10026 (available through parts only). Have a qualified gas technician install a conversion kit. See dryer ducting information for proper installation.

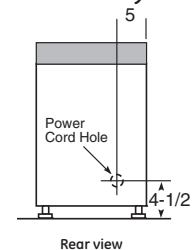
**Dryer note:** Dryer wall outlet must be located within 36" of service cord entry and accessible when dryer is mounted in position.

**Important note:** To convert a 7.3 cu. ft. dryer from rear exhaust to bottom or side venting, Part WE25X10015 is required.

## Dryer dimensions (in inches)



## Power cord locations 7.3 cu. ft. dryers



7.3 cu. ft. capacity					
A	27	E	21-1/4	J	2-1/2
B	27-1/4	F	13	K	38
C	45	G	3-1/2	L	3-1/2
D	29	H	3		

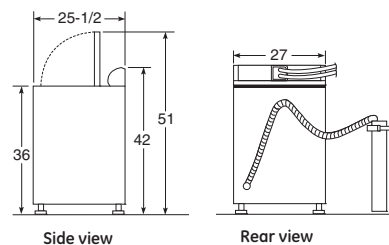
Above illustrations intended for dimensional reference only. Refer to photography for actual product appearance.

# GE® topload washers

	GE				
	GTWN5550D	GTWN5250D	GTWN4250D	GTWN2800D	GTWP1800D GCWP1805D
<b>Capacity</b>					
Capacity cu. ft.	4.0 DOE*	3.9 DOE*	3.9 DOE*	3.9 DOE*	3.7 DOE*
<b>Energy</b>					
<b>ENERGY STAR qualified</b>	●	●	●		
CEE tier rating**	2	1	1		
<b>Controls</b>					
Electronic	●	●	●		
Electromechanical				●	●
Status indicators	LED	LED	LED		
Cycle countdown	●				
HydroWave® Quiet Agitator Wash System		●	●		
RainShower® rinse system	●	●	●		
Water temp system	PerfectTemp	PerfectTemp	PerfectTemp		
Wash/rinse temps	6	6	6	3	3
Water levels	PreciseFill	PreciseFill	PreciseFill	5	4
<b>Wash system</b>					
Wash basket	Stainless steel	Stainless steel	Stainless steel	Stainless steel	ExtrAction™
Wash mechanism	Infusor	Dual-action	Dual-action	Dual-action	Dual-action
Wash/spin combinations	Variable	Variable	Variable	2-pulsed	2-pulsed
<b>Drive system</b>					
Maximum spin speed	700 RPM	700 RPM	700 RPM	630 RPM	630 RPM
<b>Dispensers</b>					
Bleach	●	●	●	●	●
Fabric softener/Power Rinse™	●	●	●	●	●
<b>Signals</b>					
End-of-cycle	●	●			
<b>Wash cycles</b>					
Number of cycles	20	10	16	13	12
Whites	●	●	●	●	●
Colors	●	●	●	●	●
Permanent Press	●	●	●	●	●
Cold Care		●			
Delicates	●	●	●		
Jeans	●	●	●		
Hand Wash	●	●	●		
Towels/Sheets	●	●	●		
Heavy Duty	●				
Speed Wash		●	●		
Basket Clean	●				
Auto Soak	●	●			
Extra Rinse	●	●			
Delay Wash	●	●			
My Settings	●				
<b>Soils</b>					
Extra heavy	●	●			
Heavy	●	●	●	●	●
Normal	●	●			
Regular			●	●	●
Light	●	●	●	●	●
Extra light	●	●			
<b>Temperatures</b>					
Hot	●	●	●	●	●
Warm	●	●	●	●	●
Colors	●	●	●		
Cool	●	●	●		
Cold	●	●	●	●	●
Tap Cold	●	●	●		
<b>Special cycles</b>					
eMonitor	●				
eWash cycle modifier	●				
Rinse & spin (quick rinse)	●	●	●		
Drain & spin	●	●	●	●	●
My settings	●				
<b>Additional features</b>					
Quiet performance	Quiet-by-Design™	Quiet-by-Design	Quiet-by-Design	Quiet-by-Design	Quiet-by-Design
Sound package	●	●			
Color lid instructions	●	●	●	●	●
Inlet hoses included					●
<b>Appearance</b>					
Backsplash color	White	White	White	White	White, Bisque
Colors available†	WW	WW	WS	WW	WW/CC
<b>Weights &amp; Dimensions</b>					
Approx. ship. weight (lbs.)	155	160	160	147	155/147

\*Department of Energy.  
 \*\*In accordance with CEE High Efficiency specifications for residential clothes washers (effective 1/1/2011).  
 †WW = White on white, CC = Bisque on bisque, WS = White on silver.

## Washer dimensions (in inches)



## Washer specifications

**Circuit requirements:** An individual, properly grounded branch circuit, with a three-prong grounding-type receptacle, protected by a 15- or 20-amp circuit breaker or time-delay fuse is required.

**Electrical rating:** 115V, 60Hz, 10A

**Washer note:** Washer wall outlet must be located within 36" of service cord entry. Wall outlet must not be located behind dryer.

Refrigeration

Cooking products

Microwave ovens

Dishwashers

Clothes care

Water heaters

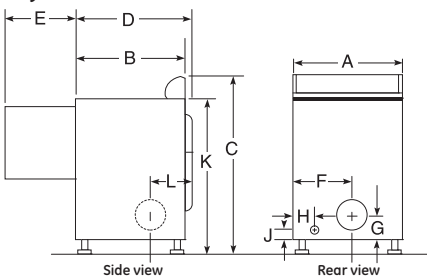
Air conditioning

# GE® topload matching dryers

GE										
	GTD5570ED GTD5570GD	GTDN550ED GTDN550GD	GTD520ED GTD520GD	GTD490ED GTD490GD	GTD400ED GTD400GD	GTD280ED GTD280GD	GTDL210ED GTDL210GD	GTD180ED GTD180GD	GTD180ED GTD180GD	GTD180ED GTD180GD GTD185ED GTD185GD
<b>Capacity</b>										
Capacity cu. ft.	7.0	7.0	7.0	7.0	6.0	7.0	7.0	6.8		6.0
<b>Controls</b>										
Electronic	●	●	●							
Electromechanical				●	●	●	●	●	●	●
Heat selections	5	5	5	4	4	4	4	4		4
<b>Dry system</b>										
Clothing moisture sensor	HE SensorDry™	HE SensorDry	HE SensorDry	HE SensorDry	Auto Dry	Auto Dry	Auto Dry	Auto Dry		Auto Dry
Temperature sensor	Dual thermistors	Dual thermistors	Dual thermistors	Thermostat	Thermostat	Thermostat	Thermostat	Thermostat		Thermostat
Dryer drum	Stainless steel	Stainless steel	DuraDrum™	DuraDrum	DuraDrum	DuraDrum	DuraDrum	DuraDrum		DuraDrum
<b>Signals</b>										
End-of-cycle	Variable	Variable	Variable	Variable	Variable	Variable	Variable	Fixed		
<b>Dry cycles</b>										
Number of cycles	17	17	8	13	10	9	9	6		6
Cottons	●	●	●	●	●	●	●	●		●
Perm Press	●	●	●	●	●	●	●	●		●
Speed dry	●	●								
Delicates	●	●	●	●						
Time control	80 min.	80 min.	80 min.	80 min.	80 min.	80 min.	80 min.	80 min.		80 min.
<b>Special cycles</b>										
Dewrinkle	●	●	●	●	●	●	●	●		●
Towels/Sheets	●	●	●	●						
Quick Fluff™ (no heat)	●	●	●	●	●	●	●	●		●
Optional wrinkle care/ extended tumble	●	●	●	●						
Steam Dewrinkle	●									
Steam Refresh	●									
eMonitor	●	●								
eDry modifier	●	●								
Energy Saver			●							
Antibacterial	●	●								
Active wear		●								
<b>Additional features</b>										
Quiet performance	Quiet-by-Design™	Quiet-by-Design	Quiet-by-Design	Quiet-by-Design	Quiet-by-Design	Quiet-by-Design	Quiet-by-Design	Quiet-by-Design		Quiet-by-Design
Dryer interior light	●	●	●	●	●	●	●	●		●
Extended venting capability	90-ft.	90-ft.	90-ft.	90-ft.	90-ft.	90-ft.	150-ft.	90-ft.		90-ft.
Reverse-a-Door	●	●	●	●	●	●	●	●		●
<b>Appearance</b>										
Backsplash color	White	White	White	White	White	White	White	White		White, Bisque
Colors available*	WW	WW	WW	WS	WS	WW	WW	WW		WW, CC
<b>Weights &amp; dimensions</b>										
Approx. shipping wt.–electric (lbs.)	112	112	109	109	102	109	115	109		102
Approx. shipping wt.–gas (lbs.)	116	116	111	111	105	111	117	111		105
LP conversion kit (sold separately)	WE25X0217									

\*WW = White on white, WS = White on silver, CC=Bisque on Bisque.

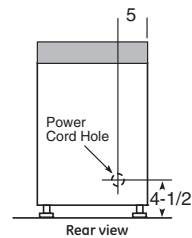
## Dryer dimensions (in inches)



	6.0 cu. ft. capacity	6.8/7.0 cu. ft. capacity
A	27	27
B	25-1/2*	25-1/2*
C	42	42
D	25-3/4	28-1/4
E	23-1/2	23-1/2
F	11-3/4	11-1/2
G	3-1/2	3-1/2
H	2	2
J	2-1/2	2-1/2
K	36	36
L	4-3/4	8-1/2

\*24-1/2" from the edge of the side panel to the front. 25-1/2" from front to edge of end caps.

## Power cord locations 6.0, 6.8 and 7.0 cu. ft. dryers



## Dryer specifications

### Exhaust options:

**Electric:** 4-way via rear, right, left and bottom.

**Gas:** For 6.0 and 7.0 cu. ft. dryers, when viewed from the front of the unit, exhaust 3-way via rear, left and bottom. Dryer is shipped exhausted to the rear. Alternate exhausting knockouts are supplied.

### Circuit requirements:

**Electric:** An individual, properly grounded branch circuit, protected by a 30-amp circuit breaker or a time-delay fuse is required.

### Electric dryer rating:

240V, 5600W, 24A, 60Hz—6.0 and 7.0 cu. ft. dryers

208V, 4400W, 22A, 60Hz—6.0 and 7.0 cu. ft. dryers

**Gas:** An individual, properly grounded branch circuit, with a three-prong grounding-type receptacle, protected by a 15- or 20-amp circuit breaker or a time-delay fuse is required.

### Gas dryer electric rating:

120V, 60Hz, 6A

**Gas (BTU/HR):** 22,000 for 6.0 and 7.0 cu. ft. dryers. Factory-equipped for natural gas. Tested for LP gas. LP gas supply requires an optional conversion kit: 6.0 and 7.0 cu. ft. model kit is WE25X0217. 7.3 cu. ft. model kits are WE25X1006. Have a qualified gas technician install a conversion kit. See dryer ducting information for proper installation.

**Dryer note:** Dryer wall outlet must be located within 36" of service cord entry and accessible when dryer is mounted in position.



# Special installation requirements

## Alcove or closet installation

- If your dryer is approved for installation in an alcove or closet, it will be stated on a label on the dryer back.
- The dryer MUST be exhausted to the outdoors. See installation instructions.
- Minimum clearances between dryer cabinet and adjacent walls or other surfaces are:
  - 0" either side
  - 3" front and rear
- Minimum vertical space from floor to overhead cabinets, ceilings, etc., is 52".
- Closet doors must be louvered or otherwise ventilated and must contain a minimum of 60 sq. in. of open area equally distributed. If this closet contains both a washer and a dryer, doors must contain a minimum of 120 sq. in. of open area equally distributed.
- No other fuel-burning appliance shall be installed in the same closet with a gas dryer.
- The closet should be vented to the outdoors to prevent gas pocketing in case of a gas leak in the supply line.

## Bathroom or bedroom installation

- The dryer MUST be exhausted to the outdoors. See installation instructions.
- The installation must conform with the local codes, or in the absence of local codes, with the National Electric Code, NFPA70, and National Fuel Gas Code, NFPA54 for gas dryers.

## Minimum clearances other than alcove or closet installations

- Minimum clearances to combustible surfaces:
  - 0" both sides
  - 3" rear

## Side or bottom exhaust

- For 7.3 cu. ft. models, order part WE25X10015

- For 7.5, 7.0 or 6.0 cu. ft. models, see installation instructions
  - Unitized models do not require a kit for side venting.
- For more information on venting kits and accessories, please call 1-800-GE-CARES.**

# Dryer exhausting information

For complete information see installation instructions packed with dryer.

**Important note:** To convert a 7.3 cu. ft. dryer from rear exhaust to bottom or side venting, part WE25X10015 is required. 6.0 cu. ft. and 7.0, 7.5 cu. ft. dryers require additional parts to convert to side venting. GTUP240EM/GM does not require a kit for side venting.

## Ducting materials

For best performance, this dryer should be vented with 4" diameter all-rigid metal exhaust duct. If rigid metal duct cannot be used, then UL listed flexible metal (semi-rigid) ducting can be used (Kit PM08X10084). In special installations, it may be necessary to connect the dryer to the house vent using a flexible metal (foil-type) duct. A UL listed flexible metal (foil-type) duct may be used ONLY in installations where rigid metal or flexible metal (semi-rigid) ducting cannot be used AND where a 4" diameter can be maintained throughout the entire length of the transition duct. Please see installation instructions packed with your dryer for complete instructions when using flexible metal (foil type) ducting.

## Exhaust length calculation:

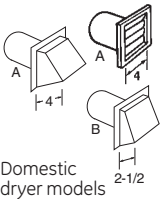
1. Determine the number of 90° turns needed for your installation. If you exhaust to the side or bottom of dryer, add one turn.
2. The maximum length of 4" rigid (aluminum or galvanized) duct which can be tolerated is shown in the table. A turn of 45° or less may be ignored. Two 45° turns within the duct length should be treated as a 90° elbow. A turn over 45° should be treated as a 90° elbow.

Dryers **must** be exhausted to the outside.

**Caution:** For personal safety do not terminate exhaust into a chimney, under any enclosed house floor (crawl space), or into an attic, since the accumulated lint could create a fire hazard or moisture could cause damage. Never terminate the exhaust into a common duct or plenum with a kitchen exhaust, since the combination of lint and grease could create a fire hazard.

Exhaust ducts should be terminated in a dampered wall cap to prevent back drafts, bird nesting, etc. The wall cap must also be located at least 12" above the ground or any other obstruction with the opening pointed down.

## Dryer exhausting information—use metal duct only vertical and horizontal ducting



Domestic dryer models	Number of 90° turns	Best performance	
		Maximum length of 4" dia. rigid metal duct	
		Exhaust hood type	
		A 4" opening	B 2-1/2" opening
7.5 cu. ft. capacity electric and gas dryers	0	150 ft.	127 ft.
	1	140 ft.	117 ft.
	2	130 ft.	107 ft.
	3	120 ft.	97 ft.
	4	110 ft.	87 ft.
GFDS350/355EL/GL 7.5 cu. ft., 7.3 cu. ft. capacity electric and gas dryers	0	90 ft.	60 ft.
	1	60 ft.	45 ft.
	2	45 ft.	35 ft.
	3	35 ft.	25 ft.
	4	25 ft.	15 ft.
7.0 and 6.0 cu. ft. capacity models all electric dryers	0	90 ft.	60 ft.
	1	60 ft.	45 ft.
	2	45 ft.	35 ft.
	3	35 ft.	25 ft.
	4	25 ft.	15 ft.
7.0 and 6.0 cu. ft. capacity models all gas dryers DCVH480EK	0	90 ft.	60 ft.
	1	60 ft.	45 ft.
	2	45 ft.	35 ft.
	3	35 ft.	25 ft.
	4	25 ft.	15 ft.
GTDL310 GTDL210 GTDL200	0	150 ft.	125 ft.
	1	135 ft.	115 ft.
	2	125 ft.	105 ft.
	3	115 ft.	95 ft.
	4	105 ft.	85 ft.
DSKS433EB DSKS333EC DSKP333EC	0	46 ft.	37 ft.
	1	38 ft.	30 ft.
	2	31 ft.	22 ft.

## Special installation requirements for frontload models

### Stacked installation

- Brackets for stacking dryers, PFDS450EL/GL, PFDS455EL/GL and GFDN110EL/GL are available at additional cost. Order part no. WE25X10028 or GEFLSTACK.
- Brackets for stacking dryer, DCVH480EK is available at additional cost. Order GE24STACK.

### Custom under-counter installation template

- Order Pub. No. 14-A025 for models GFWN1100L, GFDN110EL/GL.

### Alcove or closet installation

- If your dryer is approved for installation in an alcove or closet, it will be stated on a label on the dryer back.
- The dryer MUST be exhausted to the outdoors with the exception of a condensing dryer. See EXHAUST INFORMATION above and on pages 278 and 280.
- Minimum clearances between dryer cabinet and adjacent walls or other surfaces are:
  - 0" either side
  - 3" front and rear
- Minimum vertical space from floor to overhead cabinets, ceilings, etc., is 52".
- Closet doors must be louvered or otherwise ventilated and must contain a minimum of 60 sq. in. of open area equally distributed. If this closet contains both a washer and a dryer, doors must contain a minimum of 120 sq. in. of open area equally distributed.
- No other fuel-burning appliance shall be installed in the same closet with a gas dryer.

### Bathroom or bedroom installation

- The dryer MUST be exhausted to the outdoors with the exception of a condensing dryer. See EXHAUST INFORMATION above and on pages 278 and 280.
- The installation must conform with the local codes, or in the absence of local codes, with the National Fuel Gas Code, ANSI Z223.

### Minimum clearances other than alcove or closet installations

- Minimum clearances to combustible surfaces:
  - 0" both sides
  - 3" rear

**For more information on venting kits and accessories, please call 1-800-GE-CARES.**

## GTUP270EM/GM and GTUN275EM/GM DRYER EXHAUST LENGTH

No. of 90° Elbows	RECOMMENDED MAXIMUM LENGTH	
	Exhaust Hood Types	
	Recommended	Use only for short run installations
0	56 Feet	42 Feet
1	46 Feet	36 Feet
2	34 Feet	28 Feet
3	32 Feet	18 Feet

## GTUP240EM/GM DRYER EXHAUST LENGTH

No. of 90° Elbows	RECOMMENDED MAXIMUM LENGTH	
	Exhaust Hood Types	
	Recommended	Use only for short run installations
0	43 Feet	36 Feet
1	33 Feet	26 Feet
2	24 Feet	16 Feet



Listed by Underwriters Laboratories



Above illustrations intended for dimensional reference only. Refer to photography for actual product appearance.

# GE® portable/stationary washers and dryers

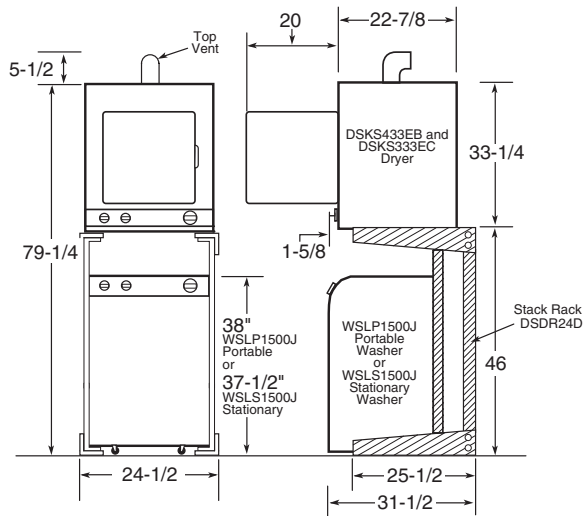
	GE	
	Portable WSLP1500J	Stationary WLSL1500J
<b>Individual washers</b>		
<b>Capacity</b>		
Capacity (cu. ft.)	2.7 DOE*	2.7 DOE*
<b>Features</b>		
Wash/spin speed combinations	1	1
Wash/rinse temperatures	3	3
Water levels	5	5
Number of cycles	14	14
Cycle countdown	Digital	Digital
<b>Regular</b>		
Colors	●	●
Whites	●	●
Delicates	●	●
Speed Wash	●	●
Custom cycle	●	●
<b>Load sensing</b>	●	●
Automatic cool down	●	●
Bleach dispenser		
Fabric softener dispenser	●	●
Automatic detergent dispenser	●	●
Lint filter	1 Removable	1 Removable
Washer lid type	Clear	Clear
Quiet pump	●	●
Easy-roll rollers	●	●
Unicouple connector	●	
Basket material	Stainless steel	Stainless steel
Fill & drain hoses included	●	●
<b>Appearance</b>		
Colors available	White on white	White on white
<b>Weights &amp; Dimensions</b>		
Circuit requirements	120V, 60 Hertz, 15 or 20 Amps	
Dimensions	38 x 23-5/8	37-1/2** x 23-5/8
Approx. shipping wt. (lbs.)	116	114

\*Department of Energy.  
\*\*With leveling legs extended.

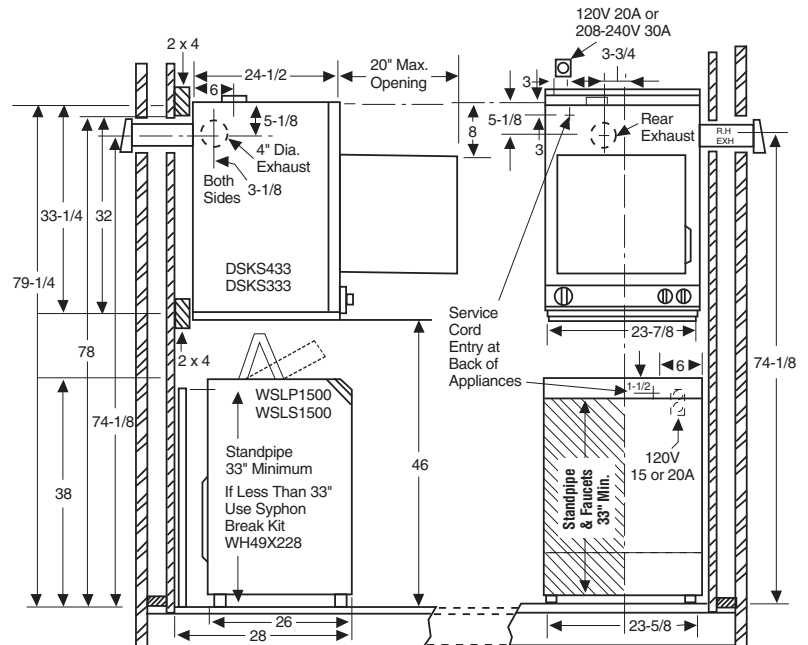
	GE	
	DSKS433EB	DSKP333EC* DSKS333EC
<b>Individual dryers</b>		
<b>Capacity</b>		
Capacity (cu. ft.)	3.6	3.6
<b>Features</b>		
ADA compliant		● / —
Dry control	Automatic	Automatic
Heat selections	4	3 (timer)
Number of dry cycles	3	3
Auto. Perm. Press & Delicate	●	
Auto. Reg.	●	●
Timed regular (min.)	140	150
Air Fluff (min.)	(Heat selection)	30
Separate start switch	●	●
Control location	Mid-band	Mid-band
Lint filter	Upfront	Upfront
<b>Appearance</b>		
Colors available**	WW	WW
<b>Weights &amp; Dimensions</b>		
Exhaust options***	4-way	4 way – rear, bottom, left, right
Circuit requirements	240/208V†, 60 Hertz, 30 Amps	120V, 60 Hertz, 15 Amps
Power cord	No cord	6 feet
Dimensions (HxWxD in inches)	33-1/4 x 23-7/8 x 24-1/2	33-1/4 x 23-7/8 x 24-1/2
Wall-mount kit (available at additional cost)	WMK-35	WMK-35
Approx. shipping wt. (lbs.)	108	108

\*DSKP333EC dryer comes equipped with casters and stationary leveling legs.  
\*\*Colors available: WW = White on white, WH = White with black controls.  
\*\*\*DSKS433EB and DSKS333EC are shipped exhausted through the top.  
†Rear-mounted outlet on DSKS433EB (120V, 60 Hertz, 10 Amp, DSKS433EB and DSKS333EC approved for use with washer/dryer stack rack DSDR24F.  
**Circuit requirements:** An individual, properly grounded branch circuit of the proper voltage and frequency as specified on the rating plate, with no other appliances or fixtures in circuit, is required.

## Top vent installation dimensions (in inches)



## Wall-mount installation dimensions (in inches)



# GE unitized washers and dryers

	GE	
	GTUP270EM GTUP270GM	GTUP240EM GTUP240GM
<b>Washer</b>		
<b>Capacity</b>		
Capacity (cu. ft.)	3.3 DOE* 3.4 DOE*	2.2 DOE*
<b>Controls</b>		
Electronic	●	●
<b>Features</b>		
<b>ENERGY STAR® qualified</b>	-/●	
Stainless steel wash basket	-/●	
Wash/spin speed combinations	3	3
Wash/rinse temperatures	5	5
Water levels	5	5
Number of wash cycles	9	9
Quick rinse	●	●
Rinse & spin	●	●
Spin only	●	●
Unbalanced load control	●	●
Fill & drain hoses included	●	●

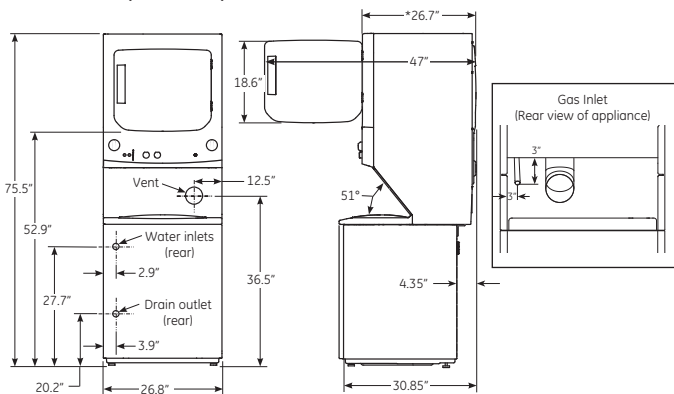
<b>Dryer</b>		
<b>Capacity</b>		
Capacity (cu. ft.)	5.9	4.4
<b>Controls</b>		
Electromechanical	●	●
<b>Features</b>		
Automatic dry control	●	●
Number of dry cycles	4	4
Auto Regular	●	●
Auto Perm. Press	●	●
Delicates	●	●
Timed	●	●
Air Fluff	●	●
Quick Fluff™	●	●
Dewrinkle	●	●
Control location	Mid-band	Mid-band
Exhaust options	3 way - rear, left, right	3 way - rear, left, right
Lint filter	●	●
<b>Appearance</b>		
Colors available**	WW	WW
<b>Weights &amp; Dimensions</b>		
Dimensions (HxWxD in inches)	75-1/2 x 26-4/5 x 30-17/20***	74-1/2 x 23-3/4 x 27-1/4***
Approx. shipping wt. (lbs.)	271	241
LP conversion kit (sold separately)	WE25M74	WE25M73

\*Department of Energy.  
 \*\*WW = White on white  
 \*\*\*Depth dimension assumes water hook-up is recessed in the wall.  
**Note:** The third prong on the GTUP270EM/GM and GTUN275EM/GM plug configuration is a flat spade type rather than a typical round probe. It requires a matching wall outlet.

**Electrical requirements for unitized dryers**  
**GTUP270EM/GTUN275EM: Electric Dryer**—This appliance should be connected to an individual, properly grounded branch circuit with 120/240V or 120/208V single-phase 60 Hz electrical service and should be protected by 30-amp time-delay fuses or circuit breakers. This appliance is manufactured with neutral connected to the frame. Power cord should be purchased separately.  
**GTUP240EM: Electric dryer**—This appliance should be connected to an individual, properly grounded branch circuit with 120/240V single-phase 60Hz electrical service and should be protected by 30-amp time-delay fuses or circuit breakers. This appliance is manufactured with the neutral connected to the frame. Power cord should be purchased separately.  
**NOTE: THESE APPLIANCES ARE NOT APPROVED FOR 120-VOLT OPERATION.**  
**GTUP240GM: Gas dryer**—This appliance should be connected to an individual, properly grounded branch circuit with a three-prong grounding-type receptacle and 120-volt single-phase 60 Hz electrical service and should be protected by 15- or 20-amp time-delay fuses or circuit breakers. This appliance is equipped with a 6-foot long flexible UL listed 20-amp power cord to match a 15-amp receptacle.  
**Gas rated** input 10,500 BTU/HR. Factory equipped for natural gas. Tested for LP gas.  
**GTUP270GM/GTUN275GM: Gas dryer**—This appliance should be connected to an individual branch circuit with 120-volt single-phase 60 Hz electrical service and should be protected by 20-amp time-delay fuses or circuit breakers. This appliance is equipped with a 4-foot long flexible UL listed 20-amp power cord to match a 20-amp receptacle.  
**Gas rated** input 20,000 BTU/HR. Factory equipped for natural gas.  
**LP gas supply requires a conversion kit.**  
 Kits: GTUP270GM/GTUN275GM—WE25M74  
 GTUP240GM—WE25M73

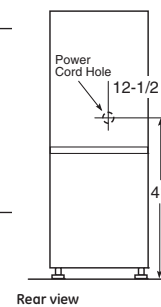
Have a qualified gas technician install a conversion kit before use.  
**Exhaust information**  
 See "Dryer Exhausting Information" on pages 278, 280 and 281.  
 For complete information see installation instructions packed with the product.

## Models GTUP270EM/GM and GTUN275EM/GM dimensions (in inches)

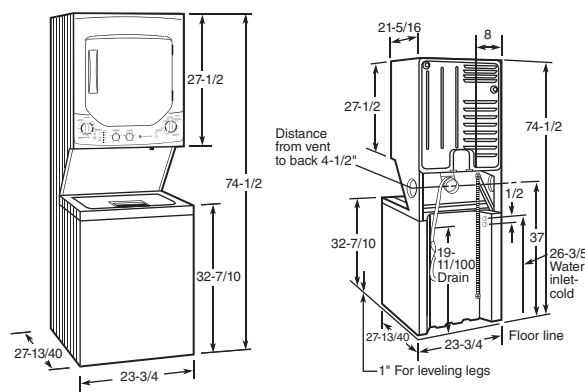


## Power cord location

Models GTUP270EM/GM and GTUN275EM/GM

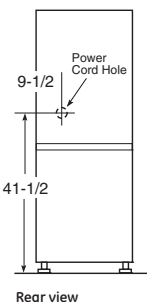


## Model GTUP240EM/GM dimensions (in inches)



## Power cord location

Model GTUP240EM/GM



# GE commercial washer and dryer

	GE WNRD2050G
<b>Capacity</b>	
Capacity (cu. ft.)	3.6 DOE*
<b>Features</b>	
Motor	2-speed
Wash/spin speed combinations	3
Wash/rinse temperatures	3
Water levels	4
Digital cycle countdown	●
Number of wash cycles	5
White cottons	●
Colored cottons	●
Bright colors	●
Permanent Press	●
Delicate	●
Spin only	●
Bleach dispenser	●
Fabric softener dispenser	●
Quiet performance	Deluxe Quiet
Lid instructions	●
LED indicators	●
Fill & drain hoses included	●
<b>Appearance</b>	
Colors available	White
<b>Weights &amp; Dimensions</b>	
Approx. shipping wt. (lbs.)	160

\*Department of Energy.

	GE DNCD450EG/GG
<b>Capacity</b>	
Capacity (cu. ft.)	7.0
<b>Features</b>	
Dry cycles	5
Cottons/high heat	●
Mixed loads/high heat	●
Perm. press/medium heat	●
Knits/low heat	●
Delicates/extra low heat	●
Temperatures	4
Air dry	●
Digital cycle countdown	●
Quiet performance	Hush Quiet
Lockable lint filter	●
LED indicators	●
Door swing	Reversible
Drum material	White DuraDrum™
<b>Appearance</b>	
Colors available	White
<b>Weights &amp; Dimensions</b>	
Approx. shipping wt. (lbs.)	125

# GeoSpring™ hybrid water heater

	GE®
	GEH50DEEDSR
<b>Capacity</b>	
Unit capacity	50 gallons
<b>Features</b>	
Fuel type	Electric
First-hour recovery	65 gallons
Electronic controls	Integrated
LED display	3 character x 1 line
Service diagnostics	Integrated
Operating modes	4 + vacation
Heat pump (only)	Yes
Hybrid (factory default)	Yes
High demand	Yes
Standard electric	Yes
Vacation	3 to 14 days
Remote access	2-way communication
Water temperature	100° to 140°F range (120°F factory default)
Precise temperature	+/- 3°F
Temperature memory	Yes
Renewable air filter (included)	Washable
Condensate collector	Integrated/tubing and fitting not included*
<b>Appearance</b>	
Color appearance	Red
<b>Power/Ratings</b>	
Energy factor	2.4 in Hybrid mode
Electrical power required	240V/208V (L1, L2, ground), 60 Hz
Electrical circuit required	Dedicated 30 Amp min.
Electrical consumption - Upper element	4,500 watts
Electrical consumption - Lower element	4,500 watts
Electrical consumption - Heat pump	550 watts
Operating air temperature range:	
Heat Pump, Hybrid and Boost modes	45° to 120°F
Operating air temperature range:	
Standard electric	32° to 150°F
Operating water pressure	20 to 125 PSI
<b>Weights &amp; Dimensions</b>	
Overall Depth (in.) x Height (in.) x Width (in.)	22-1/4 x 60-1/2 x 21-3/4
Tank Height (in.)	59-1/2
Approx. shipping wt. (lbs.)	195
Net wt. (lbs.)	179
Connection sizes-Hot water outlet (MNPT)	3/4"
Connection sizes-Water inlet (MNPT)	3/4"
<b>Economical/Quiet</b>	
Operating sound level	55 dBA average
<b>Warranty</b>	
Limited 1-year**	Parts & labor
Limited 10-year**	2 <sup>nd</sup> -10 <sup>th</sup> year parts only

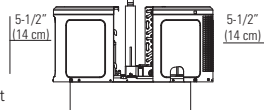
\*Condensate tube must be directed into a drain below 36" from floor, or a condensate drain pump (not included) is required.

\*\*See written warranty for details.

**Note:** This unit is designed for any common indoor installation including: garage, closet, utility room, attic etc. With the installation of a louvered door, it can be installed in rooms smaller than 10' x 10' x 7' (700 cu. ft.). Please consult installation instructions for details. The GeoSpring2 water heater produces sound during heat pump operation due to the operation of the evaporator fans. This may be different from standard electric water heaters which may not make sound.

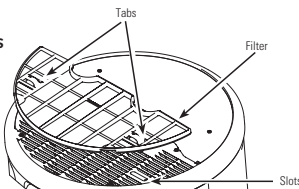
## Front & back clearance requirements:

A **7" clearance** is recommended with a minimum of **5-1/2"** air space between any object and the front and back of the water heater and **7"** on each side. Clearance is needed to allow for removal of the front and back covers in the event service is needed.



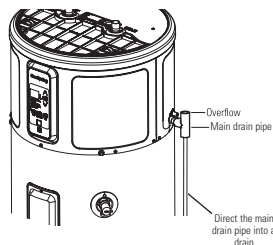
## Top filter removal clearance requirements

A **minimum 6"** clearance is required at the top of the water heater to pull the filter up and remove it for cleaning. It is critical that the hot and cold water plumbing and the electrical connections **do not** interfere with the removal of the filter.



## Condensate drain required

A primary drain pipe must be installed at the top right side of the water heater. The primary drain is intended to carry all condensate away.

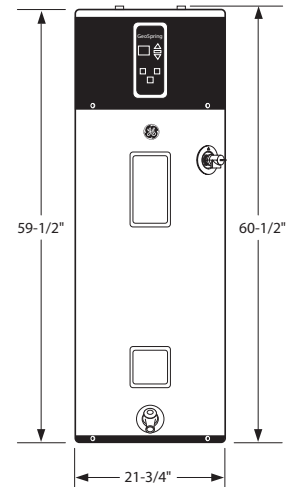


## Dimensions and Installation Information (in inches)

### Local Installation Regulations

This water heater must be installed in accordance with these instructions, local codes, utility codes, utility company requirements or, in the absence of local codes, the latest edition of the National Electrical Code. It is available from some local libraries or can be purchased from the National Fire Prevention Association, Batterymarch Park, Quincy, MA 02169 as booklet ANSI/NFPA 70.

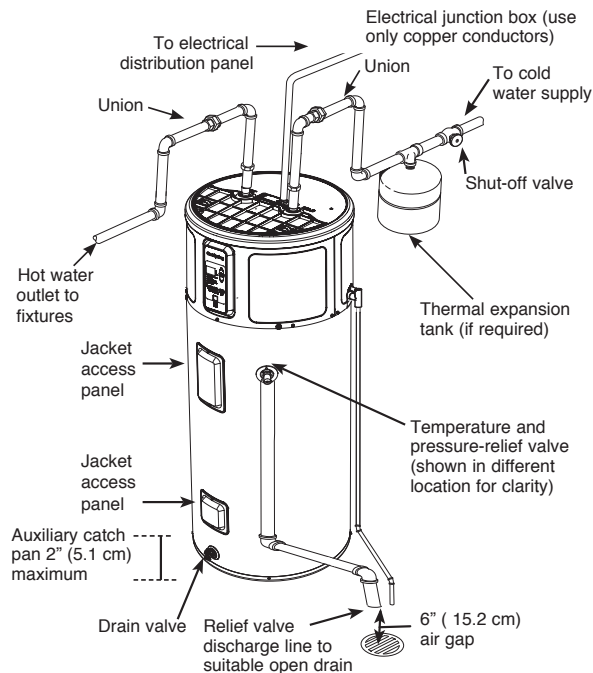
**Note:** Place the water heater in such a manner that the air filter, cover and front panels can be removed to permit inspection and servicing, such as removal of elements or cleaning of the filter. The water heater and water lines should be protected from freezing temperatures and high-corrosive atmospheres. Do not install the water heater in outdoor, unprotected areas.



## Typical installation

### Water Supply Connections

Refer to the illustration below for suggested typical installation. The installation of unions or flexible copper connectors is recommended on the hot and cold water connections so that the water heater may be easily disconnected for servicing if necessary. The HOT and COLD water connections are clearly marked and are 3/4" NPT on all models.



**Note:** Install a shut-off valve in the cold water line near the water heater. This will enable easier service or maintenance of the unit later.

**IMPORTANT:** Do not apply heat to the HOT or COLD water connections. If sweat connections are used, sweat tubing to adapter before fitting the adapter to the cold water connections on heater. Any heat applied to the hot or cold water connection will permanently damage the dip tube.

### Aluminum Anode Rod (Part No. AGHAA41)

Above illustrations intended for dimensional reference only. Refer to photography for actual product appearance.

# ENERGY STAR® Electronic room air conditioners

Features	Deluxe 230 Volt		Deluxe 115 Volt					
	AEM24DQ	AEM18DQ	AEM14AQ	AEM12AQ	AEM10AQ	AEM08LQ	AEM06LQ	AEM05LQ
ENERGY STAR® qualified	●	●	●	●	●	●	●	●
Refrigerant type	R-410A	R-410A	R-410A	R-410A	R-410A	R-410A	R-410A	R-410A
BTUH	24,200/23,800	18,000/17,600	14,200	12,000	10,150	8,000	6,400	5,350
Voltage	230/208	230/208	115	115	115	115	115	115
E.E.R. (BTUH/Watt)	9.4	10.7	10.7	10.8	10.8	10.8	10.7	10.7
Amps	11.5/12.5	8.1/8.8	12.0	10.3	8.6	7.1	5.6	4.5
Watts	2,580/2,540	1,680/1,650	1330	1110	940	740	600	500
Plug type	Perpendicular	Tandem	Parallel	Parallel	Parallel	Parallel	Parallel	Parallel
Energy Saver feature	●	●	●	●	●	●	●	●
24-hour on/off timer	●	●	●	●	●	●	●	●
Dehumidification (pints/hr.)	7.9	5.5	4.2	3.5	2.5	1.7	1.5	1.5
Fan speeds (Cool/Fan Only)	3/3	3/3	3/3	3/3	3/3	3/3	3/3	3/3
CFM (high shown) (indoor)	510/420	470/390	470	290	290	195	180	180
Thermostat	Electronic	Electronic	Electronic	Electronic	Electronic	Electronic	Electronic	Electronic
Filter type	One-touch lift-out	One-touch lift-out	One-touch lift-out	One-touch lift-out	One-touch lift-out	One-touch lift-out	One-touch lift-out	Rigid slide-out
Chassis	Slide-out	Slide-out	Slide-out	Fixed	Fixed	Fixed	Fixed	Fixed
Window mounting	EZ mount	EZ mount	EZ mount	EZ mount	EZ mount	EZ mount	EZ mount	EZ mount
Window opening height (min. in inches)	19-1/4	18-1/2	18-1/2	22	22	13-1/2	13-1/2	13-1/2
Window opening width (min. in inches)	29	26	26	36	36	22-1/2	22-1/2	22-1/2
Window opening width (max. in inches)	41	41	41	15-1/2	15-1/2	38	38	38
Warranty* (entire unit)	Limited 1-year	Limited 1-year	Limited 1-year	Limited 1-year	Limited 1-year	Limited 1-year	Limited 1-year	Limited 1-year
<b>Case Dimensions</b>								
Height (in inches) A	18-5/8	17-25/32	17-25/32	14-9/16	14-9/16	12-3/4	12-3/4	12-3/4
Width (in inches) B	26-17/32	23-5/8	23-5/8	19-1/32	19-1/32	18-19/32	18-19/32	18-19/32
Depth (in inches) C	26-5/16	25-7/16	25-7/16	21-1/4	21-1/4	15-23/32	15-23/32	15-23/32
Depth to louvers (in inches) D	7-1/4	6-11/16	6-11/16	9	9	4-23/32	4-23/32	4-23/32
Front grille depth (in inches)	1-31/32	1-15/16	1-15/16	1-5/8	1-5/8	1-13/32	1-13/32	1-13/32
Net weight (lbs.)	135	117	110	70	64	50	46	46
Approx. shipping weight (lbs.)	152	133	125	77	73	57	53	53

\*See written warranty for details.

## Electronic room air conditioners

Features	230 Volt		115 Volt				
	AEQ24DQ	AEQ12DQ	AEQ12AQ	AEQ10AQ	AEQ08AQ	AEQ06LQ	AEQ05LQ
ENERGY STAR qualified							
Refrigerant type	R-410A	R-410A	R-410A	R-410A	R-410A	R-410A	R-410A
BTUH	24,200/23,900	12,000/11,800	12,000	10,000	8,200	6,100	5,050
Voltage	230/208	230/208	115	115	115	115	115
E.E.R. (BTUH/Watt)	8.5	9.8	9.8	9.8	9.8	9.7	9.7
Amps	13.0/14.0	5.7/6.2	11.3	9.4	7.9	5.6	4.9
Watts	2,850/2,810	1,220/1,200	1,220	1,020	840	630	520
Plug type	Perpendicular	Parallel	Parallel	Parallel	Parallel	Parallel	Parallel
Energy Saver feature	●	●	●	●	●	●	●
24 hour on/off timer	●	●	●	●	●	●	●
Dehumidification (pints/hr.)	8.0	3.5	3.5	2.5	2.2	1.3	1.1
Fan speeds (cool/fan only)	3/3	3/3	3/3	3/3	3/3	3/3	3/3
CFM (high shown) (indoor)	510/420	310/280	310	290	195	180	120
Thermostat	Electronic	Electronic	Electronic	Electronic	Electronic	Electronic	Electronic
Filter type	One-touch lift-out	One-touch lift-out	One-touch lift-out	One-touch lift-out	One-touch lift-out	One-touch lift-out	Rigid frame/Slide-out
Chassis	Slide-out	Fixed	Fixed	Fixed	Fixed	Fixed	Fixed
Window mounting	EZ mount	EZ mount	EZ mount	EZ mount	EZ mount	EZ mount	EZ mount
Window opening height (min. in inches)	19-1/4	15-1/2	15-1/2	15-1/2	13-1/2	13-1/2	12-1/2
Window opening min. width (in inches)	29	22	22	22	22-1/2	22-1/2	23
Window opening max. width (in inches)	41	36	36	36	38	38	38
Warranty* (entire unit)	Limited 1-year	Limited 1-year	Limited 1-year	Limited 1-year	Limited 1-year	Limited 1-year	Limited 1-year
<b>Case dimensions</b>							
Height (in inches) A	18-5/8	14-9/16	14-9/16	14-9/16	12-3/4	12-3/4	11-31/32
Width (in inches) B	26-5/16	19-1/32	19-1/32	19-1/32	15-25/32	18-19/32	16-3/32
Depth (in inches) C	26-5/16	21-1/4	21-1/4	21-1/4	18-19/32	15-23/32	13-3/16
Depth to louvers (in inches) D	7-1/4	9	9-1/4	9-1/4	4-23/32	4-23/32	2-9/16
Front grille depth (in inches)	2	1-5/8	1-5/8	1-5/8	1-13/32	1-13/32	2-1/4
Net weight (lbs.)	135	66	68	62	50	46	40
Approx. shipping weight (lbs.)	152	75	75	71	57	53	44

\*See written warranty for details.

Preliminary specifications subject to change.

## Mechanical room air conditioner

Features	GE AEV05LQ
Refrigerant type	R-410A
BTUH	5,050
Voltage	115
E.E.R. (BTUH/Watt)	9.7
Amps	4.9
Watts	520
Plug type	Parallel
Dehumidification (pints/hr.)	1.1
Fan speeds (cool/fan only)	2/2
CFM (high shown) (indoor)	120
Thermostat	Mechanical
Filter type	Rigid slide-out
Chassis	Fixed
Window mounting	EZ mount
Window opening height (min. in inches)	12-1/2
Window opening min. width (in inches)	23
Window opening max. width (in inches)	38
Warranty* (entire unit)	Limited 1-year
<b>Case dimensions</b>	
Height (in inches) A	11-31/32
Width (in inches) B	16-3/32
Depth (in inches) C	13-3/16
Depth to louvers (in inches) D	2-9/16
Front grille depth (in inches)	2-1/4
Net weight (lbs.)	40
Approx. shipping weight (lbs.)	44

\*See written warranty for details.

**Window air conditioner warranty**  
One-Year Limited Warranty on entire unit. In-home service. Parts and labor included. See written warranty for details.

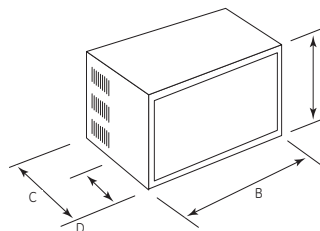
## Heat/Cool series

	GE®			
	AEE24DQ	AEE18DQ	AEE12DQ	AEE08AQ*
Voltage	230/208	230/208	230/208	115
<b>Cooling capacity</b>				
BTUH-AHAM	24,200/23,900	18,000/17,600	11,600/11,200	8,000
Amps-AHAM	13.0/14.0	8.4/8.9	5.3/5.7	7.8
Watts input	2,850/2,810	1,860/1,820	1,180/1,140	820
EER	8.5	9.7	9.8	9.8
Dehumidification (pints/hr.)	8.0	4.2	2.0	1.3
<b>Electric resistance heating</b>				
BTUH	11,000/8,700	11,000/8,700	11,000/8,700	3,800
Amps	16.0/15.6	16.0/15.6	16.0/14.6	12.0
Watts	3,680/3,030	3,680/3,030	3,575/2,765	1,380
<b>Features</b>				
Refrigerant type	R-410A	R-410A	R-410A	R-410A
Line cord plug	Perpendicular	Perpendicular	Perpendicular	Parallel
Recommended circuit protection (time delay)	20 amps	20 amps	20 amps	15 amps
Fan speeds, heating/cooling	2/2	2/2	2/2	2/2
Fan Only setting	1	1	1	1
Airflow (CFM) roomside hi/low	510/420	470/390	270/240	270
Air exchange exhaust	●	●		
Rotary compressor	●	●	●	●
Slide-out chassis	●	●	●	●
Window installation kit	EZ mount	EZ mount	EZ mount	EZ mount
Window opening height (min. in inches)	19-1/4	18-1/2	6-13/32	16-13/32
Window opening width (min. in inches)	29	26	27	27
Window opening width (max. in inches)	41	41	36	36
Warranty** (entire unit)	Limited 1-year	Limited 1-year	Limited 1-year	Limited 1-year
<b>Case dimensions</b>				
Height (in inches) A	18-5/8	17-25/32	15-7/8	15-7/8
Width (in inches) B	26-5/16	23-5/8	22-5/8	22-5/8
Depth (in inches) C	26-1/2	25-7/16	23-5/8	23-5/8
Depth to louvers (in inches) D	7-1/4	6-11/16	5-3/4	5-3/4
Front grille depth (in inches)	1-31/32	1-15/16	2-3/16	2-3/16
Net weight (lbs.)	139	117	92	80
Approx. shipping wt. (lbs.)	156	133	105	93

\*Not intended to be a primary source of heat.

\*\*See written warranty for details.

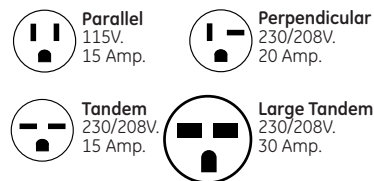
## Wall case dimensions



D = Distance from front of case to side louvers (excluding grille).

**Note:** When installing slide-out chassis units in through-the-wall applications, keep louvers free. Do not restrict airflow areas. Fixed-chassis units are not suitable for through-the-wall applications.

## Wall outlets



### Wall Outlets

All wiring, including installation of receptacle, must be made in accordance with local electrical codes and regulations. Electrical outlet should be in reach of line cord.

**Note:** Aluminum building wiring may pose special problems—consult a qualified electrician.

## Dehumidifiers

	GE			
	ADER65LQ	ADER50LQ	ADER40LQ	ADER30LQ
<b>Features</b>				
ENERGY STAR qualified	●	●	●	●
R-410A refrigerant	●	●	●	●
Dehumidification (pints/day)	65	50	40	30
Dry airflow (CFM) (High/Med/Low)	195/175/155	195/175/155	105/90/80	110/95/85
Color	Light Cool Grey	Light Cool Grey	Light Cool Grey	Light Cool Grey
Electronic controls	●	●	●	●
Auto shut off	●	●	●	●
Automatic defrost	●	●	●	●
Water level indicator	●	●	●	●
Fan speeds	3	3	3	3
Upfront removable bucket	●	●	●	●
Bucket capacity (pints)	17.5	17.5	9.5	9.5
External drain connector	●	●	●	●
Washable air filter	●	●	●	●
Easy-roll casters (4)	●	●	●	●
Voltage	115	115	115	115
Watts	710	580	510	405
Amps	6.8	5.2	4.6	3.8
Circuit size (amps)	15	15	15	15
Plug type	Parallel	Parallel	Parallel	Parallel
Temperature operating range	41°F-90°F	41°F-90°F	41°F-90°F	41°F-90°F
Warranty*	1-year replacement	1-year replacement	1-year replacement	1-year replacement
<b>Case dimensions</b>				
Height (in inches)	23-5/8	23-5/8	19-1/2	19-1/2
Width (in inches)	15-3/8	15-3/8	13-3/8	13-3/8
Depth (in inches)	11	11	10-1/4	10-1/4
Shipping weight (lbs.)	49	46	39	38
Net weight (lbs.)	44	42	35	34

\*See written warranty for details.

### Dehumidifier warranty

One-Year Limited Product Replacement Warranty.

See written warranty for details.

Above illustrations intended for dimensional reference only. Refer to photography for actual product appearance.

# Built-in room air conditioners—heat/cool

	GE					
	Heat/Cool units					High-mount
	AJEQ06LCD*	AJEQ08ACD*	AJEQ09DCD	AJEQ10DCD	AJEQ12DCD	AJEM12DCD
ADA compliant	●	●	●	●	●	●
Voltage	115	115	230/208	230/208	230/208	230/208
<b>Cooling capacity</b>						
BTUH-AHAM	6400	8300	8900/8700	10350/10200	11600/11400	11600/11400
Amps-AHAM	5.9	8.0	4.2/4.6	5.0/5.4	5.8/6.3	5.8/6.3
Watts input	640	880	935/915	1110/1085	1235/1215	1235/1215
EER	10.0	9.4	9.4/9.4	9.4/9.4	9.4/9.4	9.4/9.4
Dehumidification (pts./hr.)	1.4	2.1	2.5/2.5	2.9/2.9	3.4/3.4	3.4/3.4
<b>Electric resistance heating</b>						
BTUH	4100	4100	11600/9500	11600/9500	11600/9500	11600/9500
Amps	12.0	12.0	16.0/14.5	16.0/14.5	16.0/14.5	16.0/14.5
Watts input	1380	1380	3670/3010	3670/3010	3680/3020	3680/3020
<b>Features</b>						
Refrigerant type	R-410A	R-410A	R-410A	R-410A	R-410A	R-410A
Electronic controls	●	●	●	●	●	●
Remote control	●	●	●	●	●	●
Remote thermostat capability	●	●	●	●	●	●
Line cord plug	Parallel	Parallel	Perpendicular	Perpendicular	Perpendicular	Perpendicular
Recommended circuit protection (time delay)	15 amps	15 amps	20 amps	20 amps	20 amps	20 amps
Fan cycle switch	●	●	●	●	●	●
Fan speeds, heating/cooling	2/2	2/2	2/2	2/2	2/2	2/2
Fan only setting	2	2	2	2	2	2
Air flow (CFM) roomside hi/low	230/208	293/258	311/268 293/244	311/279 293/254	304/286 290/258	304/286 290/258
Air exchange exhaust	●	●	●	●	●	●
Rotary compressor	●	●	●	●	●	●
Coastal corrosion protection	●	●	●	●	●	●
Slide-out chassis	●	●	●	●	●	●
Installation	Thru wall	Thru wall	Thru wall	Thru wall	Thru wall	Thru wall
Wall case required (not included)	RAB46A/47A/48A	RAB46A/47A/48A	RAB46A/47A/48A	RAB46A/47A/48A	RAB46A/47A/48A	RAB46A/47A/48A
Window installation kit	Optional	Optional	Optional	Optional	Optional	Optional
<b>Weights &amp; Dimensions</b>						
Overall dimensions (WxHxD in inches)	← 26 x 15-5/8 x 16-7/8 →					
Approximate net weight (lbs.)	60	61	65	74	76	76
Approximate shipping wt. (lbs.)	67	68	72	81	83	83

All 230/208V cooling units with electric heat models and heat pumps are corrosion treated. Specifications and design subject to change without notice.  
 \*These units are not intended to be the primary source of heat.

## Air conditioner tips

**Airflow**—Keep air filters clean. Do not block airflow areas.

**Roomside view**—J-models feature concealed power cord storage; this eliminates excessive cord exposure when receptacle is located close to unit.

## Accessories

Other accessories are available—they include: Fedders and Whirlpool sleeve adapters; drain kits and chassis adapters for old Hotpoint cases.

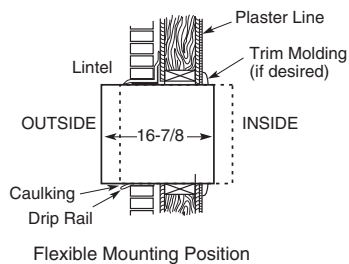
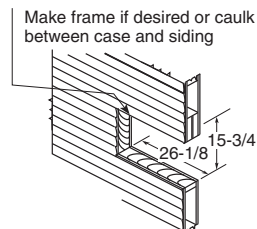
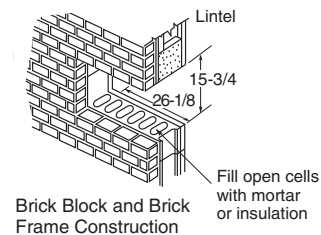
# Built-in room air conditioners—cool only

	GE® Electronic units							High-mount units			
	AJCQ06LCD	AJCQ08ACD	AJCQ10ACD	AJCQ12ACD	AJCQ09DCD	AJCQ10DCD	AJCQ12DCD	AJCM08ACD	AJCM10ACD	AJCM10DCD	AJCM12DCD
ENERGY STAR® qualified	●	●	●	●	●	●	●	●	●	●	●
ADA compliant	●	●	●	●	●	●	●	●	●	●	●
Voltage	115	115	115	115	230/208	230/208	230/208	115	115	230/208	230/208
<b>Cooling capacity</b>											
BTUH-AHAM	6200	8350	10400	11600	8800/8700	10400/10200	11600/11400	8350	10400	10400/10200	11600/11400
Amps-AHAM	5.9	8.0	9.8	11.6	4.2/4.6	4.9/5.3	5.8/6.3	8.0	10.0	5.0/5.4	5.8/6.3
Watts input	640	880	1080	1290	935/915	1080/1060	1235/1215	880	1110	1110/1085	1290/1270
EER	10.0	9.4	9.4	9.4	9.4/9.4	9.4/9.4	9.4/9.4	9.4	9.4	9.4/9.4	9.4/9.4
Dehumidification (pts./hr.)	1.4	2.1	2.7	3.4	2.5/2.5	2.7/2.7	3.4/3.4	2.1	2.9	2.9/2.9	3.4/3.4
<b>Features</b>											
Refrigerant type	R-410A	R-410A	R-410A	R-410A	R-410A	R-410A	R-410A	R-410A	R-410A	R-410A	R-410A
Electronic controls	●	●	●	●	●	●	●	●	●	●	●
Remote control	●	●	●	●	●	●	●	●	●	●	●
Line cord plug	Parallel	Parallel	Parallel	Parallel	Tandem	Tandem	Tandem	Parallel	Parallel	Tandem	Tandem
Recommended circuit protection (time delay)	15 amps	15 amps	15 amps	15 amps	15 amps	15 amps	15 amps	15 amps	15 amps	15 amps	15 amps
Fan speeds	3	3	3	3	3	3	3	3	3	3	3
Fan only setting	3	3	3	3	3	3	3	3	3	3	3
Air flow (CFM) roomside hi/low	237/201/141	297/261/212	325/290/212	304/290/208	311/268/240 297/244/212	314/283/208 300/258/177	307/290/212 293/261/177	297/261/212	325/290/212	314/283/208 300/258/177	307/290/212 293/261/177
Air exchange exhaust	●	●	●	●	●	●	●	●	●	●	●
Fan cycle switch	●	●	●	●	●	●	●	●	●	●	●
Rotary compressor	●	●	●	●	●	●	●	●	●	●	●
Slide-out chassis	●	●	●	●	●	●	●	●	●	●	●
Installation	Thru wall	Thru wall	Thru wall	Thru wall	Thru wall	Thru wall	Thru wall	Thru wall	Thru wall	Thru wall	Thru wall
Wall case required (not included)	RAB46A/47A/48A	RAB46A/47A/48A	RAB46A/47A/48A	RAB46A/47A/48A	RAB46A/47A/48A	RAB46A/47A/48A	RAB46A/47A/48A	RAB46A/47A/48A	RAB46A/47A/48A	RAB46A/47A/48A	RAB46A/47A/48A
Window installation kit	Optional	Optional	Optional	Optional	Optional	Optional	Optional	Optional	Optional	Optional	Optional
<b>Wts. &amp; Dimens.</b>											
Overall dimen. (WxHxD in inches)	← 26 x 15-5/8 x 16-7/8 →										
Approx. net weight (lbs.)	45	61	75	70	67	69	71	50	68	69	71
Approx. shipping wt. (lbs.)	52	68	88	77	74	76	79	57	76	76	79

## Built-in room air conditioners wall opening for RAB46A/47A/48A cases

A finished opening of 26-1/8" x 15-3/4", clear of intrusions, is required. Keep clearance of 4" from side walls. Brick veneer or frame walls should have wood studding surrounding case to provide firm anchoring with screws. Case can be fastened directly to brick or block walls with screws sunk in lead expansion shields.

**Note:** Units should be caulked on all four sides of case to the building exterior to assure building integrity.

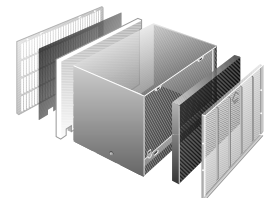


### Two wall cases for tenant option installation

When the air conditioner is offered as a tenant option, these wall cases provide protection against outside elements.

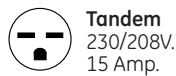
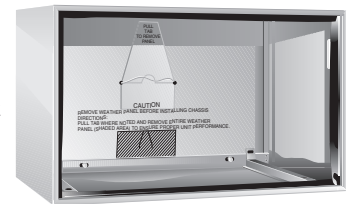
**RAB47A**—includes wall case, exterior grille and steel closure panels.

**RAB48A**—includes wall case, exterior grille, steel closure panel and two layers of insulation.



### Standard wall case RAB46A

Solid-sided wall case fabricated of galvanized steel with baked-enamel finish. Welded areas are coated with a sealing compound to help resist rust and corrosion. Polymer gasket surrounds opening to assure tight weather seal. Aluminum grille (RAG13) is included. Panels on interior and between case and grille provide weather protection prior to installation of chassis.



Total capacity and E.E.R. ratings are calculated based on the Association of Home Appliance Manufacturers' standards.

### Wall outlets

All wiring, including installation of receptacle, must be made in accordance with local electrical codes and regulations. Electrical outlet should be in reach of line cord.

**Note:** Aluminum wiring may pose special problems—consult a qualified electrician.

**Note:** Some models may not be available in your area due to local legislation. Contact your local dealer.

**Note:** When installing slide-out chassis units in through-the-wall applications, keep louvers free. Do not restrict airflow areas. Fixed-chassis units are not suitable for through-the-wall applications.

### Built-in air conditioner warranty

One-Year Limited Warranty on entire unit. In-home service. Parts and labor included. Five-Year Limited Warranty on sealed refrigerating system. In-home service. Parts and labor included. See written warranty for details.

Above illustrations intended for dimensional reference only. Refer to photography for actual product appearance.



# Reading nomenclatures

## French-door refrigerator nomenclature

<b>P</b>	<b>F</b>	<b>E</b>	<b>2</b>	<b>9</b>	<b>P</b>	<b>S</b>	<b>D</b>	<b>R</b>	<b>S</b>	<b>S</b>	
<b>Brand</b> G=GE® P=GE Profile™ C=GE Café™	<b>ENERGY STAR®</b> E=ENERGY STAR S=standard	<b>Feature pack</b>	<b>Capacity</b>	<b>Finish</b> G=high-gloss L=CleanSteel™ S=stainless	<b>Model year</b>	<b>Color (exterior and handles)</b> BB=black SS=stainless WW=white	<b>Door swing</b> R=right L=left				
<b>Configuration/style</b> F=standard-depth G=standard-depth four-door N=standard-depth non-dispenser W=counter-depth non-dispenser X=counter-depth four-door Y=counter-depth											

## Bottom-freezer refrigerator nomenclature

<b>P</b>	<b>F</b>	<b>S</b>	<b>S</b>	<b>6</b>	<b>K</b>	<b>K</b>	<b>X</b>	<b>R</b>	<b>S</b>	<b>S</b>
<b>Brand</b> P=GE Profile C=GE Café G=GE	<b>Style</b> C=counter-depth I=counter-depth panel-required S=standard depth	<b>Capacity</b>	<b>Feature pack</b>	<b>Model year</b>	<b>Ice &amp; Water</b> B=icemaker ready C=icemaker installed non-filtered E=6-month filter/icemaker F=6-month filter/icemaker I=internal water dispenser/filter/icemaker J=External water dispenser/6-month filter/icemaker K=external cubed & crushed ice/water/icemaker dispenser M=external cubed & crushed ice/water/icemaker & refreshment center	<b>Color</b> CC=bisque BB=black SS=stainless WW=white LS=CleanSteel/stainless handles WV=white visor panel-required BV=black visor panel-required	<b>Door swing</b> L=left door swing R=right door swing			
<b>Configuration</b> B=bottom-freezer with freezer door D=bottom-freezer with freezer drawer F=French-door with freezer drawer G=French-door with armoire styling										
<b>Exterior</b> C=color with textured doors F=color with high-gloss doors L=CleanSteel S=stainless steel W=full stainless wrap P=partial stainless wrap, sides only										

## Side-by-side refrigerator nomenclature

<b>P</b>	<b>S</b>	<b>H</b>	<b>S</b>	<b>6</b>	<b>Y</b>	<b>G</b>	<b>X</b>	<b>S</b>	<b>S</b>	
<b>Brand</b> P=GE Profile C=GE Café G=GE H=Hotpoint®	<b>Configuration</b> S=side-by-side	<b>Exterior</b> B=stainless door/black case C=color with textured doors F=color high-gloss doors L=CleanSteel S=stainless steel W=full stainless wrap P=partial stainless wrap, sides only 2, 4=capacity	<b>Capacity</b>	<b>Model year</b>	<b>Ice/Water</b> B=icemaker ready E=cubed/crushed ice & water F=6-month filter/cubed/crushed G=6-month filter with indicator, cubed & crushed ice H=refreshment center	<b>Feature pack</b>	<b>Color</b> CC=bisque BB=black SS=stainless WW=white LB=CleanSteel with black handles LS=CleanSteel with stainless handles CV=bisque dispenser panel-required BV=black dispenser panel-required SV=stainless dispenser panel-required WV=white dispenser panel-required SA=silver metallic	<b>Door swing</b> R=right door swing L=left door swing		
<b>Style</b> S=standard-depth H=standard-depth, ENERGY STAR® C=counter-depth D=counter-depth, ENERGY STAR I=counter-depth, panel required B=built-in										

## Top-freezer refrigerator nomenclature

<b>P</b>	<b>T</b>	<b>S</b>	<b>2</b>	<b>5</b>	<b>L</b>	<b>H</b>	<b>X</b>	<b>R</b>	<b>W</b>	<b>W</b>
<b>Brand</b> P=GE Profile G=GE H=Hotpoint	<b>Configuration</b> T=top-freezer C,W,V=vine/beverage center	<b>Capacity</b>	<b>Style</b> S=standard depth/handle L=CleanSteel R=recessed handle H=ENERGY STAR w/standard handle J=silver metallic, ENERGY STAR K=CleanSteel, ENERGY STAR L=CleanSteel M=silver metallic N=recessed handle, ENERGY STAR	<b>Model year</b>	<b>Icemaker</b> A=not icemaker ready B=icemaker ready C=factory-installed icemaker F=6-month filter/icemaker H=internal water dispenser/6-month filter/icemaker S=stainless/6-month filter/icemaker	<b>Feature pack</b>	<b>Color</b> SS=stainless steel WW=white CC=bisque BB=black BS=CleanSteel/black handles SA=stainless appearance	<b>Door swing</b> R=right door swing L=left door swing		

## Freezer nomenclature

<b>F</b>	<b>U</b>	<b>M</b>	<b>2</b>	<b>1</b>	<b>D</b>	<b>T</b>	<b>R</b>	<b>W</b>	<b>H</b>
<b>GE freezer</b>	<b>Configuration</b> U=upright C=chest	<b>Defrost</b> M>manual F=frost-free	<b>Series</b> D=deluxe S=standard	<b>Model year</b>	<b>Door swing</b> R=right L=left	<b>Color</b> WH=white* WW=white			
<b>Capacity</b> cubic feet									

## Advantium® nomenclature (prior to 2008)

<b>S</b>	<b>C</b>	<b>B</b>	<b>1</b>	<b>0</b>	<b>0</b>	<b>1</b>	<b>M</b>	<b>S</b>	<b>S</b>
<b>GE Speedcook technology</b>	<b>Configuration</b> A=above-the-cooktop B=wall oven	<b>Feature pack</b> Designates features—the higher the number, the more features.	<b>Model year designer</b>	<b>Product color</b> SS=stainless WW=white CC=bisque BB=black					

## Advantium nomenclature (2008 and later)

<b>P</b>	<b>S</b>	<b>B</b>	<b>2</b>	<b>2</b>	<b>0</b>	<b>1</b>	<b>N</b>	<b>S</b>	<b>S</b>
<b>Brand</b> P=Profile	<b>GE Speedcook technology</b>	<b>Configuration</b> A=above-the-cooktop B=built-in wall oven	<b>Feature pack</b> Designates features—the higher the number, the more features.	<b>Model year designer</b>	<b>Model/Door color</b> 0=color-matched 1=stainless	<b>Product color</b> SS=stainless WW=white CC=bisque BB=black			
<b>Voltage</b> 1=120 volt 2=240 volt									

## Cooking products nomenclature

<b>P</b>	<b>G</b>	<b>B</b>	<b>9</b>	<b>7</b>	<b>5</b>	<b>S</b>	<b>E</b>	<b>T</b>	<b>1</b>	<b>S</b>	<b>S</b>
<b>P=Profile cooking product**</b> <b>C=GE Café cooking product</b> <b>J=GE cooking product</b>	<b>G=gas</b> H=induction 2=dual fuel Electric=omit this character	<b>Feature pack</b> Designates features—the higher the number, the more features.	<b>Oven type</b> S=standard P=self-clean B=telescopic downdraft D=warming drawer 0-9=extended feature pack on select self-clean models	<b>Model year designer</b>	<b>Indicator for engineering and product service only</b>	<b>Product color</b> SS=stainless steel SA=silver WW=white on white or true white CC=bisque on bisque or true bisque BB=black on black BC=brushed chrome/brushed aluminum/soft stainless BR=brushed aluminum BS=CleanSteel appearance WH=white CT=bisque BL=black	<b>Ignition system (gas models)</b> C=cordless battery ignition E=electronic pilotless ignition P=standing pilot	<b>Model/Door color</b> C=bisque glass T=true white glass K=true bisque glass S=stainless B=black glass (or simply glass door) W=white glass D=color-matched M=CleanSteel appearance G=silver	<b>Configuration</b> A=24" free-standing B=30" free-standing D=30" drop-in K=wall oven—27" cabinet M=27" drop-in N=hood (non-vented) P=cooktop S=slide-in R=wall oven—24" cabinet T=wall oven—30" cabinet V=hood (vented) X=accessory		

## Microwave oven nomenclature

<b>J</b>	<b>N</b>	<b>M</b>	<b>1</b>	<b>5</b>	<b>4</b>	<b>1</b>	<b>D</b>	<b>M</b>	<b>W</b>	<b>W</b>
<b>Brand</b> P=Profile C=GE Café J=GE R=Hotpoint	<b>Installation</b> B=built-in capability M=mounts under cabinet/ built-in capability L=mountable under the cabinet S=countertop only	<b>Feature pack</b> Designates features—high number denotes more features (1 denotes filter included) (S denotes CSA certified)	<b>Model year</b>	<b>Color</b> WW=white on white BB=black on black CC=bisque on bisque SS=stainless steel CS=CleanSteel SA=silver metallic	<b>Capacity</b> XX=cubic feet 36=36-inch design	<b>Model/Door color</b> D=color-matched S=stainless steel L=CleanSteel M=silver metallic	<b>Type</b> E=countertop V=externally vented over-the-range N=non-vented over-the-range W=microwave wall oven			

\*Models prior to 2006  
\*\*Only applies to select models

# Reading nomenclatures (continued)

## Dishwasher nomenclature—GE Profile/GE Café

P	D	W	T	4	8	0	V	S	S
<b>Product type</b> PDW=Profile CDW=GE Café GCG=Profile compact	<b>Controls</b> T=top control  Exception: 1=compact		<b>Feature pack</b>  8=stainless steel door			<b>Exterior color</b> SS=stainless steel WW=white on white CC=bisque on bisque BB=black on black ll=requires custom panel and handle			
						<b>Model year designator</b>			

## Dishwasher nomenclature—GE® stainless tub

G	D	W	T	6	6	8	V	S	S
<b>GDW</b> =long door GE stainless tub		<b>Controls</b> T=top control F=front control		<b>Feature pack</b>  <b>Handle/Control location</b> 0=latch/front control 6=recessed/top control 8=towel bar/top control			<b>Exterior color</b> SS=stainless steel WW=white on white BB=black on black CC=bisque on bisque		
							<b>Model year designator</b>		

## Dishwasher nomenclature—GE PermaTuf® tub

G	L	D	5	6	0	6	V	B	B
<b>GLD</b> =long door GE PermaTuf tub		<b>GSD</b> =GE standard tub		<b>GSM</b> =GE Spacemaker®		<b>GSC</b> =GE convertible		<b>GLC</b> =long door GE convertible	
<b>Handle/Control location</b> 0, 4=latch/front control 6=recessed/top control 8=towel bar/top control				<b>Feature pack</b>		<b>Model year designator</b>			
							<b>Exterior color</b> SS=stainless steel WW=white on white BB=black on black CC=bisque on bisque CS=CleanSteel™ SA=silver		

## Washer nomenclature

P	F	W	S	4	6	0	0	L	W	W
<b>Brand</b> P=Profile G=GE H=Hotpoint	<b>Product</b> W=Washer D=Dryer		<b>Series</b>  <b>TL ENERGY STAR</b> 0=Non ENERGY STAR 5= ENERGY STAR		<b>Color</b> 0=white 5=color		<b>Year</b>		<b>Specific color</b> WW=white CC=bisque MV=vermillion red MG=champagne MS=metallic silver WS=silver backguard WT=titanium backguard	
<b>Configuration</b> T=Topload F=Frontload		<b>Key feature</b> S=Steam N=Stainless Tub P=PermaTuf Tub								
<b>TL Derivatives:</b> C, H, L, M, R										

## Dryer nomenclature

P	F	D	S	4	6	0	E	L	W	W	
<b>Brand</b> P=Profile G=GE H=Hotpoint	<b>Product</b> W=Washer D=Dryer		<b>Series</b>		<b>Color</b> 0=white 5=color		<b>Fuel</b> E=electric G=gas		<b>Year</b>		<b>Specific color</b> WW=white CC=bisque MV=vermillion red MG=champagne MS=metallic silver WS=silver backguard WT=titanium backguard
<b>Configuration</b> T=Topload F=Frontload			<b>Key feature</b> <b>Topload</b> S=Steam N=7.0 Stainless P=7.0 DuraDrum™ X=6.0 DuraDrum		<b>Frontload</b> S=Steam C=Condenser N=Non-steam						
<b>TL derivatives:</b> C, H, L, M, R											

## GeoSpring™ hybrid water heater nomenclature

G	E	H	5	0	D	E	E	D	S	R
<b>Brand</b> G=GE		<b>Gallon capacity</b> 40, 50, 80			<b>Feature pack</b>		<b>Model year</b>			
<b>Fuel type</b> E=electric N=natural gas P=propane		<b>High efficiency water heater</b> H=hybrid		<b>Warranty type</b>		<b>Model designator</b>		<b>Cabinet color</b> SR=red SC=charcoal		

## Window air conditioners nomenclature

A	E	M	2	4	D	Q
<b>Brand</b> A=GE	<b>Unit series</b>		<b>Capacity</b> Nominal BTU's in 1000's		<b>Market generation</b>	
<b>Basic design</b> E=heat/cool D=electronic/ENERGY STAR M= electronic/ENERGY STAR Q=electronic V=mechanical			<b>Voltage/Amps</b> L=115V, 60Hz, <7.0 amps F=115V, 60Hz, 7.0-7.5 amps A=115V, 60Hz, >7.5 amps D=230/208V, 60Hz, all amperages			

## Built-in air conditioners nomenclature

A	J	C	S	1	0	A	C	D
<b>Brand</b> A=GE	<b>Category</b> J=26" solid-sided case through-the-wall units		<b>Type</b> C=cooling E=electric heat		<b>Capacity</b> Nominal BTU's in 1000's		<b>Configuration</b> C=chassis only	
<b>Unit series</b> M=high mount chassis with electronic remote Q=cooling with electronic remote			<b>Voltage/Amps</b> L=115V, 60Hz, <7.0 amps F=115V, 60Hz, 7.0 - 7.5 amps A=115V, 60Hz, >7.5 amps D=230/208V, 60Hz, all amperages					
<b>Market generation</b>								

## GEOSPRING™ HYBRID WATER HEATER



The new GeoSpring has been designed to deliver maximum energy savings without sacrificing any hot water. By utilizing advanced heat pump technology in combination with traditional heating elements, this innovative product can save **\$325 every year!**\*



Scan the code with your QR reader to learn more.

\*Based on DOE test procedure and comparison of a 50-gallon standard electric tank water heater using 4879 kWh per year vs. the GeoSpring hybrid water heater using 1830 kWh per year.



GE works on things that matter. The best people and the best technologies taking on the toughest challenges. Finding solutions in energy, health and home, transportation and finance. Building, powering, moving and curing the world. Not just imagining. Doing. **GE Works.**

### GE Appliances *Mobile*

Get instant access to the latest from GE, including rebates, promotions, model information and more. Visit [m.geappliances.com](http://m.geappliances.com) on your smartphone or scan the QR Code at right.

Follow GE Appliances on:  



**GE**  
Appliances  
Appliance Park  
Louisville, KY 40225  
[geappliances.com](http://geappliances.com)

As an ENERGY STAR® partner, GE has determined that the appliances marked with the ENERGY STAR logo meet the ENERGY STAR guidelines for energy efficiency.

Before purchasing an ENERGY STAR qualified appliance, read important information about its estimated annual energy consumption or energy efficiency rating that is available from your retailer, [geappliances.com](http://geappliances.com) or [energystar.gov](http://energystar.gov).

GE has a policy of continuous improvement of its products and reserves the right to change materials and specifications without notice.



© 2012 General Electric Company  
Pub. No. 1-G102 PC67804