



**OPERATOR'S MANUAL
MANUEL de L'UTILISATEUR
MANUAL del OPERADOR**

**Catalog No.
No de Cat.
Catálogo No.
6370-20
6370-21**



**8" METAL CUTTING SAW
SCIE À MÉTAUX 203 mm (8")
SIERRA DE 203 mm (8") PARA CORTAR METAL**

***TO REDUCE THE RISK OF INJURY, USER MUST READ OPERATOR'S MANUAL.
AFIN DE RÉDUIRE LE RISQUE DE BLESSURES, L'UTILISATEUR DOIT LIRE LE MANUEL DE L'UTILISATEUR.
PARA REDUCIR EL RIESGO DE LESIONES, EL USUARIO DEBE LEER EL MANUAL DEL OPERADOR.***

GENERAL SAFETY RULES — FOR ALL POWER TOOLS



WARNING

READ ALL INSTRUCTIONS

Failure to follow all instructions listed below may result in electric shock, fire and/or serious injury. The term "power tool" in all of the warnings listed below refers to your mains-operated (corded) power tool or battery-operated (cordless) power tool.

SAVE THESE INSTRUCTIONS

WORK AREA SAFETY

1. **Keep work area clean and well lit.** Cluttered or dark areas invite accidents.
2. **Do not operate power tools in explosive atmospheres, such as in the presence of flammable liquids, gases, or dust.** Power tools create sparks which may ignite the dust or fumes.
3. **Keep children and bystanders away while operating a power tool.** Distractions can cause you to lose control.

ELECTRICAL SAFETY

4. **Power tool plugs must match the outlet. Never modify the plug in any way. Do not use any adapter plugs with earthed (grounded) power tools.** Unmodified plugs and matching outlets will reduce risk of electric shock.
5. **Avoid body contact with earthed or grounded surfaces such as pipes, radiators, ranges and refrigerators.** There is an increased risk of electric shock if your body is earthed or grounded.
6. **Do not expose power tools to rain or wet conditions.** Water entering a power tool will increase the risk of electric shock.
7. **Do not abuse the cord. Never use the cord for carrying, pulling, or unplugging the power tool. Keep cord away from heat, oil, sharp edges, or moving parts.** Damaged or entangled cords increase the risk of electric shock.
8. **When operating a power tool outdoors, use an extension cord suitable for outdoor use.** Use of a cord suitable for outdoor use reduces the risk of electric shock.

PERSONAL SAFETY

9. **Stay alert, watch what you are doing and use common sense when operating a power tool. Do not use a power tool while you are tired or under the influence of drugs, alcohol or medication.** A moment of inattention while operating power tools may result in serious personal injury.
10. **Use safety equipment. Always wear eye protection.** Safety equipment such as dust mask, non-skid safety shoes, hard hat, or hearing protection used for appropriate conditions will reduce personal injuries.
11. **Avoid accidental starting. Ensure the switch is in the off-position before plugging in.** Carrying tools with your finger on the switch or plugging in power tools that have the switch on invites accidents.
12. **Remove any adjusting key or wrench before turning the power tool on.** A wrench or a key left attached to a rotating part of the power tool may result in personal injury.
13. **Do not overreach. Keep proper footing and balance at all times.** This enables better control of the power tool in unexpected situations.
14. **Dress properly. Do not wear loose clothing or jewellery. Keep your hair, clothing and gloves away from moving parts.** Loose clothes, jewellery, or long hair can be caught in moving parts.
15. **If devices are provided for the connection of dust extraction and collection facilities, ensure these are connected and properly used.** Use of these devices can reduce dust-related hazards.

POWER TOOL USE AND CARE

16. **Do not force the power tool. Use the correct power tool for your application.** The correct power tool will do the job better and safer at the rate for which it was designed.
17. **Do not use the power tool if the switch does not turn it on and off.** Any power tool that cannot be controlled with the switch is dangerous and must be repaired.
18. **Disconnect the plug from the power source and/or the battery pack from the power tool before making any adjustments, changing accessories, or storing power tools.** Such preventive safety measures reduce the risk of starting the tool accidentally.
19. **Store idle power tools out of the reach of children and do not allow persons unfamiliar with the power tools or these instructions to operate power tools.** Power tools are dangerous in the hands of untrained users.
20. **Maintain power tools. Check for misalignment or binding of moving parts, breakage of parts and any other condition that may affect the power tool's operation. If damaged, have the power tool repaired before use.** Many accidents are caused by poorly maintained power tools.
21. **Keep cutting tools sharp and clean.** Properly maintained cutting tools with sharp cutting edges are less likely to bind and are easier to control.
22. **Use the power tool, accessories and tool bits etc., in accordance with these instructions and in the manner intended for the particular type of power tool, taking into account the working conditions and the work to be performed.** Use of the power tool for operations different from those intended could result in a hazardous situation.

SERVICE

23. **Have your power tool serviced by a qualified repair person using only identical replacement parts.** This will ensure that the safety of the power tool is maintained.

1. DANGER!:

Keep hands away from cutting area and blade. Keep your second hand on auxiliary handle or motor housing. If both hands are holding the saw, they cannot be cut by the blade.

Do not reach underneath the workpiece. The guard cannot protect you from the blade below the workpiece.

Adjust the cutting depth to the thickness of the workpiece. Less than a full tooth of the blade teeth should be visible below the workpiece.

NEVER hold piece being cut in your hands or across your leg. Secure the workpiece to a stable platform. It is important to support the work properly to minimize body exposure, blade binding, or loss of control.

Hold power tool by insulated gripping surfaces when performing an operation where the cutting tool may hidden wiring or its own cord. Contact with a "live" wire will also make exposed metal parts of the tool "live" and shock the operator.

When ripping always use a rip fence or straight edge guide. This improves the accuracy of cut and reduces the chance of blade binding.

Always use blades with correct size and shape (diamond versus round) of arbor holes. Blades that do not match the mounting hardware of the saw will run eccentrically, causing loss of control.

Never use damaged or incorrect blade washers or bolts. The blade washers and bolts were specially designed for your saw, for optimum performance and safety of operation.

2. Causes and Operator Prevention of KICKBACK:

KICKBACK is a sudden reaction to a pinched, bound or misaligned saw blade, causing an uncontrolled saw to lift up and out of the workpiece toward the operator.

When the blade is pinched or bound tightly by the kerf closing down, the blade stalls and the motor reaction drives the unit rapidly back toward the operator.

If the blade becomes twisted or misaligned in the cut, the teeth at the back edge of the blade can dig into the top surface of the wood causing the blade to climb out of the kerf and jump back toward operator.

KICKBACK is the result of saw misuse and/or incorrect operating procedures or conditions and can be avoided by taking proper precautions as given below:

Maintain a firm grip with both hands on the saw and position your arms to resist kickback forces. Position your body to either side of the blade, but not in line with the blade. Kickback could cause the saw to jump backwards, but kickback forces can be controlled by the operator, if proper precautions are taken.

When blade is binding, or when interrupting a cut for any reason, release the trigger and hold the saw motionless in the material until the blade comes to a complete stop. Never attempt to remove the saw from the work or pull the saw backward while the blade is in motion or kickback may occur. Investigate and take corrective actions to eliminate the cause of blade binding.

When restarting a saw in the workpiece, center the saw blade in the kerf and check that saw teeth are not engaged into the material. If saw blade is binding, it may walk up or kickback from the workpiece as the saw is restarted.

Support large panels to minimize the risk of blade pinching and kickback. Large panels tend to sag under their own weight. Supports must be placed under the panel on both sides, near the line of cut and near the edge of the panel.

Do not use dull or damaged blade. Unsharpened or improperly set blades produce narrow kerf causing excessive friction, blade binding and kickback.

Blade depth and bevel adjusting locking levers must be tight and secure before making cut. If blade adjustment shifts while cutting, it may cause binding and kickback.

Use extra caution when making a "plunge cut" (or pocket cut) into existing walls or other blind areas. The protruding blade may cut objects that can cause kickback.

3. Check lower guard for proper closing before each use. Do not operate saw if lower guard does not move freely and close instantly. Never clamp or tie the lower guard into the open position. If saw is accidentally dropped, lower guard may be bent. Raise the lower guard with the lower guard lever and make sure it moves freely and does not touch the blade or any other part, in all angles and depths of cut.

Check the operation of the lower guard spring. If the guard and the spring are not operating properly, they must be serviced before use. Lower guard may operate sluggishly due to damaged parts, gummy deposits, or a buildup of debris.

Lower guard should be retracted manually only for special cuts such as "plunge cuts" ("pocket cuts") and "compound cuts". Raise lower guard by lower guard lever and as soon as blade enters the material, the lower guard must be released. For all other sawing, the lower guard should operate automatically.

Always observe that the lower guard is covering the blade before placing saw down on bench or floor. An unprotected, coasting blade will cause the saw to walk backwards, cutting whatever is in its path. Be aware of the time it takes for the blade to stop after switch is released.

4. Maintain labels and nameplates. These carry important information. If unreadable or missing, contact a MILWAUKEE service facility for a free replacement.

5. WARNING! Some dust created by power sanding, sawing, grinding, drilling, and other construction activities contains chemicals known to cause cancer, birth defects or other reproductive harm. Some examples of these chemicals are:

- lead from lead-based paint
- crystalline silica from bricks and cement and other masonry products, and
- arsenic and chromium from chemically-treated lumber.

Your risk from these exposures varies, depending on how often you do this type of work. To reduce your exposure to these chemicals: work in a well ventilated area, and work with approved safety equipment, such as those dust masks that are specially designed to filter out microscopic particles.

6. Do not touch material immediately after it has been cut. Use caution; cut material may be hot and sharp.







7. Do not use cutting oil. The use of cutting oil may cause a fire.

8. Do not use tool near flammable material. Sparks may cause fire.

9. Chip container cover may be hot after use. Use caution when emptying chip container or changing the blade.

10. Do not start the blade when in contact with workpiece. Wait for blade to reach full speed before beginning cut.

Symbology

	Double Insulated
	Underwriters Laboratories, Inc.
	Volts Alternating Current
	Amperes
	No Load Revolutions per Minute (RPM)
	Mexican Approvals Marking

Specifications

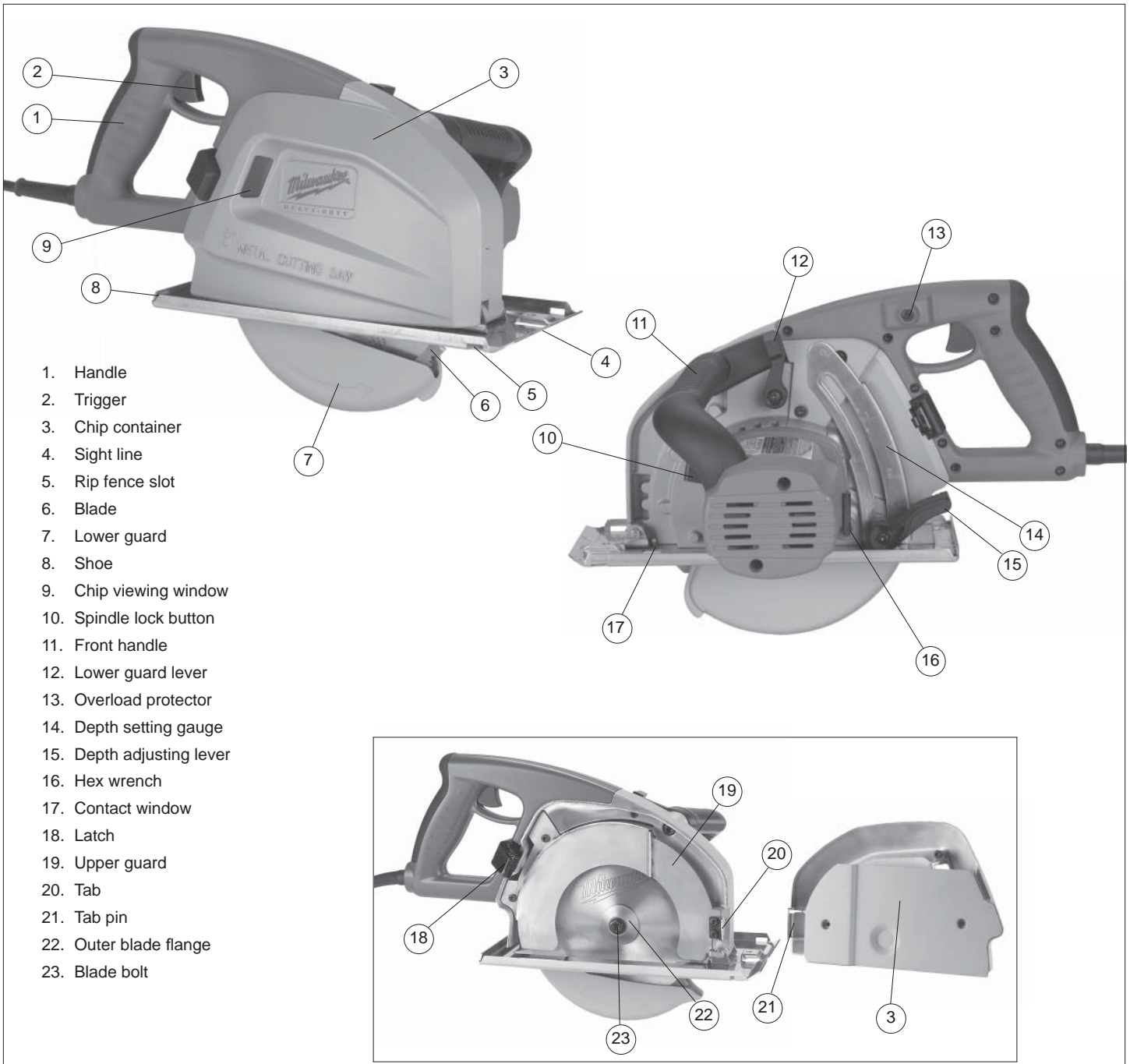
Cat. No.	Volts AC Only	Amps	No Load RPM	Blade Size	Round Arbor	Depth of Cut
6370-20	120	13	3700	8"	5/8"	0 to 2-9/16"
6370-21	120	13	3700	8"	5/8"	0 to 2-9/16"

Capacities

Materials *	6370-20 and 6370-21
Steel Studs, Steel Decking, Roofing Panels	10 gauge, up to 2-9/16" thick
Steel Plate	1/4" thick
Angle Iron	2-1/2" x 2-1/2" x 1/4"

* See "Applications" for requirements when cutting thicker materials.

FUNCTIONAL DESCRIPTION



GROUNDING



Improperly connecting the grounding wire can result in the risk of electric shock. Check with a qualified electrician if you are in doubt as to whether the outlet is properly grounded. Do not modify the plug provided with the tool. Never remove the grounding prong from the plug. Do not use the tool if the cord or plug is damaged. If damaged, have it repaired by a MILWAUKEE service facility before use. If the plug will not fit the outlet, have a proper outlet installed by a qualified electrician.

Grounded Tools: Tools with Three Prong Plugs

Tools marked "Grounding Required" have a three wire cord and three prong grounding plug. The plug must be connected to a properly grounded outlet (See Figure A). If the tool should electrically malfunction or break down, grounding provides a low resistance path to carry electricity away from the user, reducing the risk of electric shock.

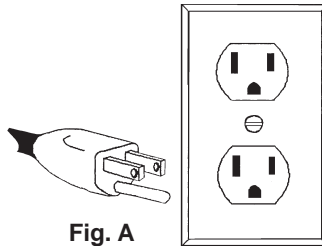


Fig. A

The grounding prong in the plug is connected through the green wire inside the cord to the grounding system in the tool. The green wire in the cord must be the only wire connected to the tool's grounding system and must never be attached to an electrically "live" terminal.

Your tool must be plugged into an appropriate outlet, properly installed and grounded in accordance with all codes and ordinances. The plug and outlet should look like those in Figure A.

Double Insulated Tools: Tools with Two Prong Plugs

Tools marked "Double Insulated" do not require grounding. They have a special double insulation system which satisfies OSHA requirements and complies with the applicable standards of Underwriters Laboratories, Inc., the Canadian Standard Association and the National Electrical Code. Double Insulated tools may be used in either of the 120 volt outlets shown in Figures B and C.

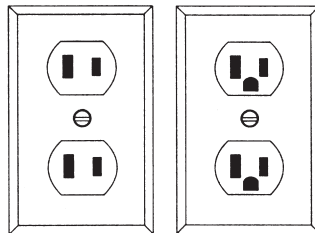


Fig. B

Fig. C

EXTENSION CORDS

Grounded tools require a three wire extension cord. Double insulated tools can use either a two or three wire extension cord. As the distance from the supply outlet increases, you must use a heavier gauge extension cord. Using extension cords with inadequately sized wire causes a serious drop in voltage, resulting in loss of power and possible tool damage. Refer to the table shown to determine the required minimum wire size.

The smaller the gauge number of the wire, the greater the capacity of the cord. For example, a 14 gauge cord can carry a higher current than a 16 gauge cord. When using more than one extension cord to make up the total length, be sure each cord contains at least the minimum wire size required. If you are using one extension cord for more than one tool, add the nameplate amperes and use the sum to determine the required minimum wire size.

Guidelines for Using Extension Cords

- If you are using an extension cord outdoors, be sure it is marked with the suffix "W-A" ("W" in Canada) to indicate that it is acceptable for outdoor use.
- Be sure your extension cord is properly wired and in good electrical condition. Always replace a damaged extension cord or have it repaired by a qualified person before using it.
- Protect your extension cords from sharp objects, excessive heat and damp or wet areas.

Recommended Minimum Wire Gauge for Extension Cords*

Nameplate Amperes	Extension Cord Length					
	25'	50'	75'	100'	150'	200'
0 - 5	16	16	16	14	12	12
5.1 - 8	16	16	14	12	10	--
8.1 - 12	14	14	12	10	--	--
12.1 - 15	12	12	10	10	--	--
15.1 - 20	10	10	10	--	--	--

* Based on limiting the line voltage drop to five volts at 150% of the rated amperes.

**READ AND SAVE ALL INSTRUCTIONS
FOR FUTURE USE.**



WARNING

To reduce the risk of injury, always unplug tool before attaching or removing accessories or making adjustments. Use only specifically recommended accessories. Others may be hazardous.

Selecting Blade

Select a blade appropriate for your application. Refer to the "Accessories" section for a list of blades for this tool.

Always use sharp blades. Dull blades tend to overload the tool and increase the chance of KICKBACK. Only use blades with a maximum safe operating speed greater than the no load RPM marked on the tool's nameplate. Read the blade manufacturer's instructions before use. Do not use any type of abrasive cut-off wheel or dry diamond cutting blades. Use the correct blade type for your application. Using the wrong blade may result in reduced performance or damage to the blade. Do not use blades that are cracked or have broken teeth.

Checking the Operation of the Lower Guard

Check the operation and condition of the lower guard lever. If the guard and the lever are not operating properly, they must be serviced before use. Lower guard may operate sluggishly due to damaged parts, gummy deposits, or a buildup of debris.

1. Unplug tool before checking the lower guard.
2. Place the tool on its side (Fig. 1).
 - NOTE:** This procedure will not show proper lower guard operation if the tool is not on its side.
3. Grasp the lower guard by the sides and push it all the way back into the blade housing.
4. Release the lower guard.
 - If the guard immediately springs back into place, it is working correctly and you may continue with use.
 - If the guard does not immediately spring back into place, clean the upper and lower guards to remove all chips and debris. Then, check the operation again by starting with step 1.
 - If the guard still does not immediately spring back into place, contact a MILWAUKEE service facility for repairs.

Removing and Installing Chip Container



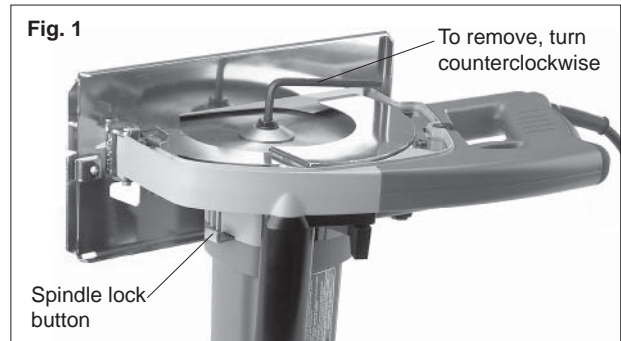
WARNING

- NEVER operate tool when guards and chip container are not installed. Serious injury may occur.
- To reduce the risk of injury, wear safety goggles or glasses with side shields when removing the chip container. Chips and debris may fly up into the face.

1. Unplug tool before removing or installing chip container.
2. To **remove** the chip container, open the latch and pull the chip container off of the tab.
3. To **install** the chip container, fit the tab pin onto the tab, position the chip container, and secure the latch.

Installing and Removing Blades (Figs. 1 & 2)

Fig. 1



1. Unplug tool before installing or removing blades.
2. Remove the chip container (see "Removing and Installing Chip Container").
3. Place the saw on a flat surface with the blade facing up (Fig. 1). To remove the blade bolt from the spindle, push in the spindle lock button and hold. Using the wrench provided with the tool, turn the blade bolt counterclockwise. Remove the blade bolt and outer blade flange. Do not remove the inner blade flange.
4. Remove the blade from the spindle. Always clean the spindle, upper guard, lower guard, and blade flanges to remove any chips and debris.
5. To install a blade, place the blade on the spindle with the teeth pointing in the same direction as the arrow on the lower guard (Fig. 2).

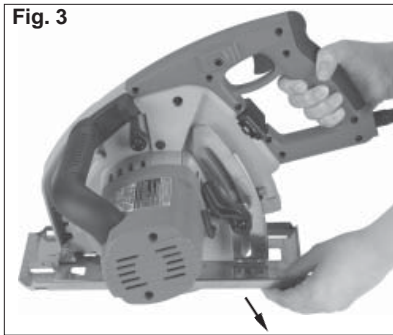
Fig. 2



6. Place the blade flange on the spindle and hand tighten the blade bolt.
7. While holding in the spindle lock button, use the wrench to turn the blade bolt clockwise and tighten securely.
8. Replace the chip container (see "Removing and Installing Chip Container").

Adjusting Depth (Figs. 3 & 4)

1. Unplug tool before adjusting blade depth.
2. To adjust the depth of the cut, hold the saw by the handle and loosen the depth adjusting lever by pulling it up, away from the shoe (Fig. 3).



3. Raise or lower the shoe to the desired position. For the proper depth setting, the blade should extend no more than 1/4" below the material being cut (Fig. 4).
4. Push the depth adjusting lever down to secure the shoe position.



Emptying the Chip Container

Chips and other debris from the workpiece are collected inside the chip container, which needs to be emptied to ensure proper functioning of the tool.

1. Unplug tool.
2. Remove the chip container (see "Removing and Installing Chip Container") and empty. Use a brush to ensure all chips and debris have been removed.
3. Remove all chips and debris from upper guard, blade, and housing.
4. Replace the chip container (see "Removing and Installing Chip Container").

OPERATION

Causes and Operator Prevention of KICKBACK:

KICKBACK is a sudden reaction to a pinched, bound or misaligned saw blade, causing an uncontrolled saw to lift up and out of the workpiece toward the operator.

When the blade is pinched or bound tightly by the kerf, or cutting slot, closing down, the blade stalls and the motor reaction drives the unit rapidly back toward the operator.

If the blade becomes twisted or misaligned in the cut, the teeth at the back edge of the blade can dig into the top surface of the wood causing the blade to climb out of the kerf and jump back toward operator.

KICKBACK is the result of tool misuse and/or incorrect operating procedures or conditions and can be avoided by taking proper precautions as given below:

1. **Maintain a firm grip with both hands on the saw and position your body and arm to allow you to resist KICKBACK forces.** KICKBACK forces can be controlled by the operator, if proper precautions are taken.
2. **When blade is binding, or when interrupting a cut for any reason, release the trigger and hold the saw motionless in the material until the blade comes to a complete stop. Never attempt to remove the saw from the work or pull the saw backward while the blade is in motion or KICKBACK may occur.** Investigate and take corrective actions to eliminate the cause of blade binding.
3. **When restarting a saw in the workpiece, center the saw blade in the kerf, or cut, and check that saw teeth are not engaged into the material.** If saw blade is binding, it may walk up or KICKBACK from the workpiece as the saw is restarted.
4. **Support large panels to minimize the risk of blade pinching and KICKBACK.** Large panels tend to sag under their own weight. Supports must be placed under the panel on both sides, near the line of cut and near the edge of the panel.
5. **Do not use dull or damaged blades.** Unsharpened or improperly set blades produce narrow kerf causing excessive friction, blade binding and KICKBACK.
6. **Depth adjusting lever must be tight and secure before making cut.** If blade adjustment shifts while cutting, it may cause binding and KICKBACK.
7. **Use extra caution when making a "Pocket Cut" into existing walls or other blind areas.** The protruding blade may cut objects that can cause KICKBACK.
8. **Set the depth of cut for no more than 1/4" greater than the thickness of the stock.** The less blade exposed, the less chance of binding and KICKBACK. Before cutting, be sure depth and bevel adjustments are tight.
9. **Stay alert.** Any distraction can cause twisting or binding. Repetitive cuts may lull the user into careless movements.

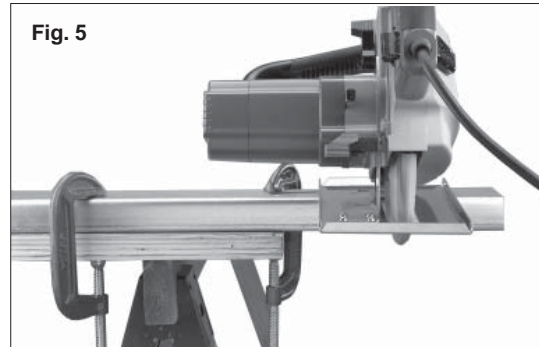


WARNING

To reduce the risk of injury, everyone in the work area should wear safety goggles or glasses with side shields. Unplug the tool before changing accessories or making adjustments.

General Operation (Figs. 5 & 6)

Always clamp the workpiece securely on a saw horse or bench (Fig. 5). See "Applications" for the correct way to support your work in different situations.



1. Draw a cutting line. Place the front of the shoe on the edge of the workpiece without making blade contact. Hold the trigger handle with one hand and the front handle with the other (Fig. 6).



2. Line up the sight line with your cutting line. Position your arms and body to resist KICKBACK.
3. Pull the trigger and allow the motor to reach full speed before beginning cut.

4. While cutting, keep the shoe flat against the workpiece and maintain a firm grip. Do not force the saw through the workpiece. Forcing a saw can cause KICKBACK. Use a light, continuous pressure to make the cut while following the cut line through the sight line.
5. If making a partial cut, restarting in mid-cut or correcting direction, allow the blade to come to a complete stop. To resume cutting, center the blade in the kerf, back the saw away from cutting edge a few inches, pull the trigger and re-enter the cut slowly.
6. If the saw binds and stalls, maintain a firm grip and release the trigger immediately. Hold the saw motionless in the workpiece until the blade comes to a complete stop.
7. After finishing a cut, be sure the lower guard closes and the blade comes to a complete stop before setting the saw down.

Overload Protector

The overload protector automatically turns off the tool when the motor is overloaded. The tool can become overloaded when using a dull blade, cutting material that is too thick, cutting materials too quickly, or cutting hard metals such as stainless steel. To prevent the overload protector from activating, always use a sharp blade and follow the cutting instructions under the "Applications" section. Do not attempt to defeat or override the overload protector.

If the tool turns off automatically:

1. Release the trigger and unplug the tool.
2. Remove the blade from the workpiece.
3. Allow the tool to rest for a minimum of two minutes.
4. Reset the overload protector by pushing in the button.
5. Allow the tool to run under no load to ensure the tool has properly cooled.
6. Resume the cut. When restarting a saw in the workpiece, center the saw blade in the kerf, or cut, and check that saw teeth are not engaged into the material. If saw blade is binding, it may walk up or KICKBACK from the workpiece as the saw is restarted.

APPLICATIONS

This tool is intended for cutting unhardened ferrous metal and non-ferrous metal. Refer to the "Accessories" section for a list of blades to be used for the proper applications of this tool. The following precautions must be followed to reduce the risk of injury:

- Do not cut stacked materials. Cut one piece at a time.
- Do not cut hardened steel.
- Cut materials with the wider edge of the shoe over the clamped side of the material.
- Do not touch the blade, workpiece, chips, or chip container with bare hands immediately after cutting; they may be hot and could burn skin.

Cutting Materials Thicker than 1/4" (3/4" Maximum Thickness)



To reduce the risk of damage to the tool or blade, do not exceed the Feed Rate and Maximum Cut Time for materials thicker than 1/4", as charted below.

Between Maximum Cut Times, allow the tool to cool down for 6 minutes of running with no load or 60 minutes switched off.

Cutting too fast or too long in heavy material will damage the tool if the tool is not allowed to cool.

Cutting too slow will cause excessive wear on the blade.

When cutting materials over 1/4", certain guidelines must be followed to avoid serious damage to the tool and/or blade. The correct combination of the following factors will allow for a successful cut through thicker materials:

1. **Material Thickness** (do not cut materials thicker than 3/4")
 - NOTE:** If the material thickness is not shown in the chart below, round up to the nearest thickness listed in the chart and follow those guidelines.
2. **Maximum Length of Cut** (the length of material in inches through which the saw moves between cool down periods)
3. **Feed Rate** (the speed at which the saw moves through the material in seconds per inch)
4. **Maximum Cutting Time** (the total amount of time that the saw can be under load between cool down periods.)
5. **Cool Down Period** (6 minutes running with no load or 60 min. switched off.)

Material Thickness	Maximum Cutting Time (seconds)	Max Length of Cut	Feed Rate (sec./inch)	Cool Down Period
3/8"	30 - 45	15"	2 - 3	6 min. of running with no load or 60 min. switched off
1/2"	18 - 36	9"	2 - 4	
5/8"	18 - 30	6"	3 - 5	
3/4"	20 - 25	5"	4 - 5	

Cutting Thin or Corrugated Materials

Cut thin and corrugated materials at least 1" from the edge of the workpiece to avoid injury or damage to the tool caused by thin strips of metal being pulled into the upper guard.

Cutting Large Sheets

Large sheets sag or bend if they are not correctly supported. If you attempt to cut without leveling and properly supporting the workpiece, the blade will tend to bind, causing KICKBACK.

Support large sheets. Be sure to set the depth of the cut so that you only cut through the workpiece, not through the supports.

When cutting widths greater than 4", clamp 1" lumber to workpiece and use the inside edge of the shoe as a guide.

Pocket Cutting (Fig. 7)



To reduce the risk of electric shock, check work area for hidden pipes and wires before making pocket cuts.

Pocket cuts are made in the middle of the workpiece when it can not be cut from an edge. We recommend using a Sawzall® reciprocating saw or jig saw for this type of cut. However, if you must use a circular saw to make a pocket cut, USE EXTREME CAUTION. To maintain control of the saw during pocket cutting, keep both hands on the saw (Fig. 7).

1. Beginning at a corner, line up the sight line with your cutting line. Tilt the saw forward, firmly fixing the front of the shoe on the workpiece. The blade should be just above cutting line, but not touching it. Raise the lower guard using the lower guard lever.
2. Pull the trigger and allow the motor to reach full speed before beginning cut. Using the front of the shoe as a hinge point, gradually lower the back end of the saw into the workpiece. Release the lower guard lever.
3. When the shoe rests flat against workpiece, advance the saw to the far corner. Release the trigger and allow the blade to come to a complete stop before removing it from workpiece. Repeat the above steps for each side of the opening. Use a Sawzall® reciprocating saw, jig saw or small hand saw to finish the corners if they are not completely cut through.



Troubleshooting

If the blade does not follow a straight line:

- Teeth are dull. This is caused by hitting a hard object, dulling teeth on one side. The blade tends to cut to the side with the sharpest teeth.
- Shoe is out of line or bent
- Blade is bent

If the blade binds, smokes or turns blue from friction:

- Blade is dull
- Blade is on backwards
- Blade is bent
- Blade is dirty
- Workpiece is not properly supported
- Incorrect blade is being used

MAINTENANCE



WARNING

To reduce the risk of injury, always unplug your tool before performing any maintenance. Never disassemble the tool or try to do any rewiring on the tool's electrical system. Contact a **MILWAUKEE** service facility for ALL repairs.

Maintaining Tools

Keep your tool in good repair by adopting a regular maintenance program. Before use, examine the general condition of your tool. Inspect guards, switches, tool cord set and extension cord for damage. Check for loose screws, misalignment, binding of moving parts, improper mounting, broken parts and any other condition that may affect its safe operation. If abnormal noise or vibration occurs, turn the tool off immediately and have the problem corrected before further use. Do not use a damaged tool. Tag damaged tools "DO NOT USE" until repaired (see "Repairs").

Under normal conditions, relubrication is not necessary until the motor brushes need to be replaced. After six months to one year, depending on use, return your tool to the nearest **MILWAUKEE** service facility for the following:

- Lubrication
- Brush inspection and replacement
- Mechanical inspection and cleaning (gears, spindles, bearings, housing, etc.)
- Electrical inspection (switch, cord, armature, etc.)
- Testing to assure proper mechanical and electrical operation



WARNING

To reduce the risk of injury, electric shock and damage to the tool, never immerse your tool in liquid or allow a liquid to flow inside the tool.

Cleaning

Clean dust and debris from vents. Keep the tool handles clean, dry and free of oil or grease. Use only mild soap and a damp cloth to clean your tool since certain cleaning agents and solvents are harmful to plastics and other insulated parts. Some of these include: gasoline, turpentine, lacquer thinner, paint thinner, chlorinated cleaning solvents, ammonia and household detergents containing ammonia. Never use flammable or combustible solvents around tools.

Repairs

If your tool is damaged, return the entire tool to the nearest service center.

ACCESSORIES



WARNING

To reduce the risk of injury, always unplug the tool before attaching or removing accessories. Use only specifically recommended accessories. Others may be hazardous.

For a complete listing of accessories refer to your **MILWAUKEE** Electric Tool catalog or go on-line to www.milwaukeetool.com. To obtain a catalog, contact your local distributor or a service center.

8" Metal Cutting Blades

42 Tooth Blade

For cutting metal workpieces greater than 3/32" thick.

Cat. No. 48-40-4515

50 Tooth Blade

For cutting metal workpieces less than 3/32" thick.

Cat. No. 48-40-4520

Blade Wrench (Allen)

Cat. No. 49-96-0345

Rip Fence

Cat. No. 49-22-4146

FIVE YEAR TOOL LIMITED WARRANTY

Every **MILWAUKEE** tool is tested before leaving the factory and is warranted to be free from defects in material and workmanship. **MILWAUKEE** will repair or replace (at **MILWAUKEE**'s discretion), without charge, any tool (including battery chargers) which examination proves to be defective in material or workmanship from five (5) years after the date of purchase. Return the tool and a copy of the purchase receipt or other proof of purchase to a **MILWAUKEE** Factory Service/Sales Support Branch location or **MILWAUKEE** Authorized Service Station, freight prepaid and insured. This warranty does not cover damage from repairs made or attempted by other than **MILWAUKEE** authorized personnel, abuse, normal wear and tear, lack of maintenance, or accidents.

The warranty period for V28 Battery Packs is two (2) years from the date of purchase. The warranty period for Ni-Cd battery Packs, Flashlights, Radios are warranted for one (1) year from the date of purchase.

THE REPAIR AND REPLACEMENT REMEDIES DESCRIBED HEREIN ARE EXCLUSIVE. IN NO EVENT SHALL **MILWAUKEE** BE LIABLE FOR ANY INCIDENTAL, SPECIAL, OR CONSEQUENTIAL DAMAGES, INCLUDING LOSS OF PROFITS.

THIS WARRANTY IS EXCLUSIVE AND IN LIEU OF ALL OTHER WARRANTIES, OR CONDITIONS, WRITTEN OR ORAL, EXPRESSED OR IMPLIED FOR MERCHANTABILITY OR FITNESS FOR PARTICULAR USE OR PURPOSE.

This warranty gives you specific legal rights. You may also have other rights that vary from state to state and province to province. In those states that do not allow the exclusion of implied warranties or limitation of incidental or consequential damages, the above limitations or exclusions may not apply to you. This warranty applies to the United States, Canada, and Mexico only.

RÈGLES GÉNÉRALES DE SÉCURITÉ POUR LES OUTILS ÉLECTRIQUE



AVERTISSEMENT

LIRE SOIGNEUSEMENT TOUTES LES INSTRUCTIONS

Le non respect des instructions ci-après peut entraîner des chocs électriques, des incendies et/ou des blessures graves. Le terme «outil électrique» figurant dans les avertissements ci-dessous renvoie à l'outil électrique à alimentation par le réseau (à cordon) ou par batterie (sans fil).

CONSERVER CES INSTRUCTIONS

SÉCURITÉ DU LIEU DE TRAVAIL

1. **Maintenir la zone de travail propre et bien éclairée.** Les zones encombrées ou mal éclairées sont favorables aux accidents.
2. **Ne pas utiliser d'outil électrique dans une atmosphère explosive, telle qu'en en présence de liquides, de gaz ou de poussières inflammables.** Les outils électriques génèrent des étincelles qui peuvent enflammer les poussières ou les fumées.
3. **Tenir les enfants et les personnes non autorisées à l'écart pendant le fonctionnement d'un outil électrique.** Un manque d'attention de l'opérateur risque de lui faire perdre le contrôle de l'outil.

SÉCURITÉ ÉLECTRIQUE

4. **La fiche de l'outil électrique doit correspondre à la prise d'alimentation. Ne jamais modifier la fiche d'une manière quelconque. Ne pas utiliser d'adaptateur avec les outils électriques mis à la terre (à la masse).** Des fiches non modifiées et des prises d'alimentation assorties réduisent le risque de choc électrique.
5. **Éviter tout contact corporel avec des surfaces reliées à la masse ou à la terre telles que tuyaux, radiateurs, cuisinières et réfrigérateurs.** Un risque de choc électrique plus élevé existe si le corps est relié à la masse ou à la terre.
6. **Ne pas exposer les outils électriques à la pluie ou à l'humidité.** Le risque de choc électrique augmente si de l'eau s'infiltré dans un outil électrique.
7. **Prendre soin du cordon. Ne jamais utiliser le cordon pour transporter, tirer ou débrancher l'outil électrique. Tenir le cordon à l'écart de la chaleur, des huiles, des arêtes coupantes ou des pièces en mouvement.** Un cordon endommagé ou emmêlé présente un risque accru de choc électrique.
8. **Se procurer un cordon d'alimentation approprié en cas d'utilisation d'un outil électrique à l'extérieur.** L'utilisation d'un cordon d'alimentation pour usage extérieur réduit le risque de choc électrique.

SÉCURITÉ INDIVIDUELLE

9. **Être sur ses gardes, être attentif et faire preuve de bon sens en utilisant un outil électrique. Ne pas utiliser un outil électrique en cas de fatigue ou sous l'influence de drogues, d'alcool ou de médicaments.** Un instant d'inattention lors de l'utilisation d'un outil électrique peut entraîner des blessures graves.
10. **Utiliser un équipement de sécurité. Toujours porter des lunettes de protection.** Un équipement de sécurité comprenant masque anti-poussière, chaussures de sécurité anti-dérapantes, casque ou dispositif de protection anti-bruit peut, dans les circonstances appropriées, réduire le risque de blessure.
11. **Éviter tout démarrage accidentel de l'outil. S'assurer que le commutateur est en position OFF (Arrêt) avant de brancher l'outil.** Le port de l'outil avec un doigt sur le commutateur ou son branchement avec le commutateur en position ON (Marche) sont favorables aux accidents.
12. **Retirer toute clé de réglage avant de mettre l'outil sous tension.** Une clé laissée attachée sur une pièce mobile de l'outil électrique peut entraîner des blessures.

13. **Ne pas travailler à bout de bras. Bien garder un bon équilibre à tout instant.** Ceci permet de mieux préserver la maîtrise de l'outil électrique dans des situations imprévues.
14. **Porter des vêtements adéquats. Ne pas porter de vêtements amples ni de bijoux. Ne pas approcher les cheveux, vêtements et gants des pièces en mouvement.** Les vêtements amples, les bijoux ou les cheveux longs risquent d'être happés par les pièces en mouvement.
15. **Si des dispositifs sont prévus pour l'extraction et la récupération des poussières, vérifier qu'ils sont connectés et utilisés correctement.** L'utilisation de ces dispositifs peut réduire les risques liés aux poussières.

UTILISATION ET ENTRETIEN DE L'OUTIL ÉLEC-

16. **Ne pas forcer l'outil électrique. Utiliser l'outil électrique approprié à l'application considérée.** L'outil électrique adapté au projet considéré produira de meilleurs résultats, dans des conditions de sécurité meilleures, à la vitesse pour laquelle il a été conçu.
17. **Ne pas utiliser l'outil électrique si le commutateur ne le met pas sous ou hors tension.** Tout outil électrique dont le commutateur de marche-arrêt est inopérant est dangereux et doit être réparé.
18. **Débrancher la fiche de la prise d'alimentation et/ou la batterie de l'outil électrique avant d'effectuer des réglages, de changer d'accessoires ou de ranger l'outil.** De telles mesures de sécurité préventive réduisent le risque de mettre l'outil en marche accidentellement.
19. **Ranger les outils électriques inutilisés hors de la portée des enfants et ne pas laisser des personnes qui connaissent mal les outils électriques ou ces instructions utiliser ces outils.** Les outils électriques sont dangereux dans les mains d'utilisateurs non formés à leur usage.
20. **Entretien des outils électriques. S'assurer de l'absence de tout désalignement ou de grippage des pièces mobiles, de toute rupture de pièce ou de toute autre condition qui pourrait affecter le bon fonctionnement de l'outil électrique. En cas de dommages, faire réparer l'outil avant de l'utiliser de nouveau.** Les outils électriques mal entretenus sont à la source de nombreux accidents.
21. **Garder les outils de coupe affûtés et propres.** Les outils de coupe correctement entretenus et bien affûtés risquent moins de se gripper et sont plus faciles à manier.
22. **Utiliser cet outil électrique, les accessoires, les mèches, etc. conformément à ces instructions et de la façon prévue pour ce type particulier d'outil électrique, tout en prenant en compte les conditions de travail et le type de projet considérés.** L'utilisation de cet outil électrique pour un usage autre que l'usage prévu peut créer des situations dangereuses.

ENTRETIEN

23. **Faire effectuer l'entretien de l'outil électrique par un technicien qualifié qui n'utilisera que des pièces de rechange identiques.** La sécurité d'utilisation de l'outil en sera préservée.

1. DANGER!:

Garder les mains à l'écart de la zone de coupe et de la lame. Maintenir l'autre main sur la poignée auxiliaire ou sur le carter du moteur. Si les deux mains tiennent la scie, elles ne peuvent pas être coupées par la lame.

Ne pas tendre la main vers le dessous de pièce de travail. Le garant n'offre aucune protection contre la lame sous la pièce de travail.

Régler la profondeur de coupe en fonction de l'épaisseur de la pièce de travail. Moins d'une dent complète des dents de la lame doit être visible sous la pièce de travail.

NE JAMAIS maintenir la pièce dont la coupe est en cours avec les mains ou contre la jambe. Fixer la pièce de travail à une plateforme stable. Il est important de supporter correctement la pièce pour minimiser l'exposition du corps, le grippage de la lame ou la perte de contrôle de cette dernière.

Tenir l'outil électrique par les surfaces de prise isolées si, au cours des travaux, l'outil de coupe risque d'entrer en contact avec des fils cachés ou avec son propre cordon. Le contact avec un fil sous tension met les parties métalliques exposées de l'outil sous tension, ce qui inflige une secousse électrique à l'opérateur.

Lors du sciage en long, toujours utiliser un guide longitudinal ou un guide à bord droit. Ceci améliore la précision de la coupe et réduit les risques de grippage de la lame.

Toujours utiliser des lames avec des trous d'alésage central de la taille et de la forme (en diamant comparé aux trous ronds) corrects. Les lames qui ne correspondent pas à la visserie de montage de la lame fonctionnent de façon excentrée, causant une perte de contrôle.

Ne jamais utiliser des rondelles ou des vis de lame endommagées ou incorrectes. Les rondelles et les vis de la lame sont spécialement conçues pour la scie, pour des performances et une sécurité de fonctionnement optimales.

2. Causes des effets de REBOND et leur prévention par l'opérateur:

Un REBOND est la brusque réaction d'une lame de scie pincée, coincée ou mal alignée, provoquant un relèvement incontrôlé de la lame hors de la pièce de travail vers l'opérateur.

Lorsque la lame est fermement pincée ou coincée par la fermeture du trait de scie, la lame cale et la réaction du moteur entraîne rapidement l'unité en arrière vers l'opérateur.

Si la lame devient vrillée ou mal alignée en cours de coupe, les dents du bord arrière de la lame peuvent creuser dans la surface supérieure du bois, ce qui peut faire sauter la lame hors du trait de scie et vers l'opérateur.

Un REBOND est le résultat d'une mauvaise utilisation de la scie et/ou de procédures ou de conditions d'utilisation incorrectes et il peut être évité en prenant les précautions appropriées suivantes:

Maintenir une prise ferme des deux mains sur la scie et positionner les bras de sorte à résister aux rebonds éventuels. Se maintenir d'un côté ou de l'autre de la lame et non pas dans le prolongement de celle-ci. Un rebond peut provoquer un saut en arrière de la lame mais le choc en retour peut être contrôlé par l'opérateur si les précautions correctes sont prises.

Quand la lame est grippée ou lors de l'interruption d'une coupe pour une raison quelconque, relâcher l'adétente et maintenir la scie immobile dans le matériau jusqu'à l'arrêt total de la lame. Ne jamais tenter de retirer la lame de la pièce ou de tirer la lame en arrière lorsque la lame est en mouvement afin d'éviter tout rebond. Rechercher la cause du grippage de la lame et prendre les actions correctives pour l'éliminer.

Lors du redémarrage d'une scie dans la pièce de travail, centrer la lame de la scie dans le trait et vérifier que les dents de la lame ne sont pas engagées dans le matériau. Si la lame de la scie est grippée, elle peut remonter ou rebondir de la pièce de travail lors du redémarrage de la scie.

Supporter les grands panneaux pour minimiser les risques de pincement ou de retour de la lame. Les grands panneaux ont tendance à fléchir sous leur propre poids. Des supports doivent être placés des deux côtés sous le panneau, près de la ligne de coupe et près du bord du panneau.

Ne pas utiliser une lame émoussée ou endommagée. Des lames émoussées ou montées incorrectement produisent un trait de scie fin provoquant des frictions excessives, des grippages et des rebonds de lame.

Les leviers de verrouillage de la profondeur de la lame et de réglage du biseau doivent être serrés et fixés avant d'effectuer la coupe.

Le grippage et le rebond de la lame peuvent être provoqués par une modification du réglage de la lame lors de la coupe.

Faire preuve de précaution supplémentaire lors d'une «coupe en plongée» (ou en alvéole) dans des murs existants ou d'autres zones aveugles. La lame protubérante peut couper des objets qui peuvent provoquer un rebond.

3. **Vérifier la fermeture correcte du garant inférieur avant chaque utilisation. Ne pas utiliser la scie si le garant inférieur ne se déplace pas librement et ne se ferme pas instantanément. Ne jamais fixer ou attacher le garant inférieur en position ouverte.** Si la scie tombe accidentellement, le garant inférieur risque d'être tordu. Le garant inférieur avec son levier et s'assurer qu'il se déplace librement et ne touche pas la lame ou toute autre pièce, quels que soient les angles et les profondeurs de coupe.

Vérifier le fonctionnement du ressort du garant inférieur. Si le garant et le ressort ne fonctionnent pas correctement, les réparer avant utilisation. Le garant inférieur peut fonctionner lentement en raison de pièces endommagées, de dépôts gommeux ou d'accumulation de débris.

Le garant inférieur ne doit être manuellement rétracté que pour des coupes spéciales telles que les «coupes en plongée» («coupes en alvéole») ou les «coupes composées». Relever le garant inférieur par son levier du garant et, dès que la lame pénètre dans le matériau, le garant inférieur doit être relâché. Pour toutes les autres coupes, le garant inférieur doit fonctionner automatiquement.







Toujours s'assurer que le garant inférieur recouvre la lame avant de mettre la scie sur un établi ou sur le sol. Une lame en roue libre non protégée fait progresser la scie en arrière en coupant tout sur son passage. Être conscient de la durée nécessaire à la lame pour s'immobiliser après avoir relâché la commande.

4. **Maintenir en l'état les étiquettes et les plaques d'identification.** Des informations importantes y figurent. Si elles sont illisibles ou manquantes, contacter un centre de services et d'entretien *MILWAUKEE* pour un remplacement gratuit.
5. **AVERTISSEMENT!** Certaines poussières générées par les activités de ponçage, de coupe, de rectification, de perçage et d'autres activités de construction contiennent des substances considérées être la cause de malformations congénitales et de troubles de l'appareil reproducteur. Parmi ces substances figurent:
 - le plomb contenu dans les peintures à base de plomb
 - la silice cristalline des briques, du ciment et d'autres matériaux de maçonnerie, ainsi que
 - l'arsenic et le chrome des sciages traités chimiquement.

Les risques encourus par l'opérateur envers ces expositions varient en fonction de la fréquence de ce type de travail. Pour réduire l'exposition à ces substances chimiques, l'opérateur doit : travailler dans une zone bien ventilée et porter l'équipement de sécurité approprié, tel qu'un masque anti-poussière spécialement conçu pour filtrer les particules microscopiques.

6. **Ne touchez pas le matériau immédiatement après l'avoir coupé.** Soyez prudent; un matériau coupé peut être chaud et acéré.
7. **N'utilisez pas d'huile de coupe.** L'utilisation d'une telle huile risque de provoquer un incendie.
8. **N'utilisez pas l'outil près d'une matière inflammable.** Les étincelles risqueraient de provoquer un incendie.
9. **Le couvercle du récupérateur de sciure pourrait être chaud après juste après l'utilisation.** Soyez prudent lorsque vous changez le récupérateur de sciure ou la lame.
10. **Ne faites pas démarrer la lame au contact de la pièce.** Attendez qu'elle ait atteint sa vitesse maximale pour commencer la coupe.

Pictographie

	Double Isolation
	l'Association canadienne de normalisation (ACNOR) Underwriters Laboratories, Inc.
	Couvant alternatif
	Ampères
	Tours-minute à vide (RPM)
	Inscription mexicaine d'approbation

Spécifications

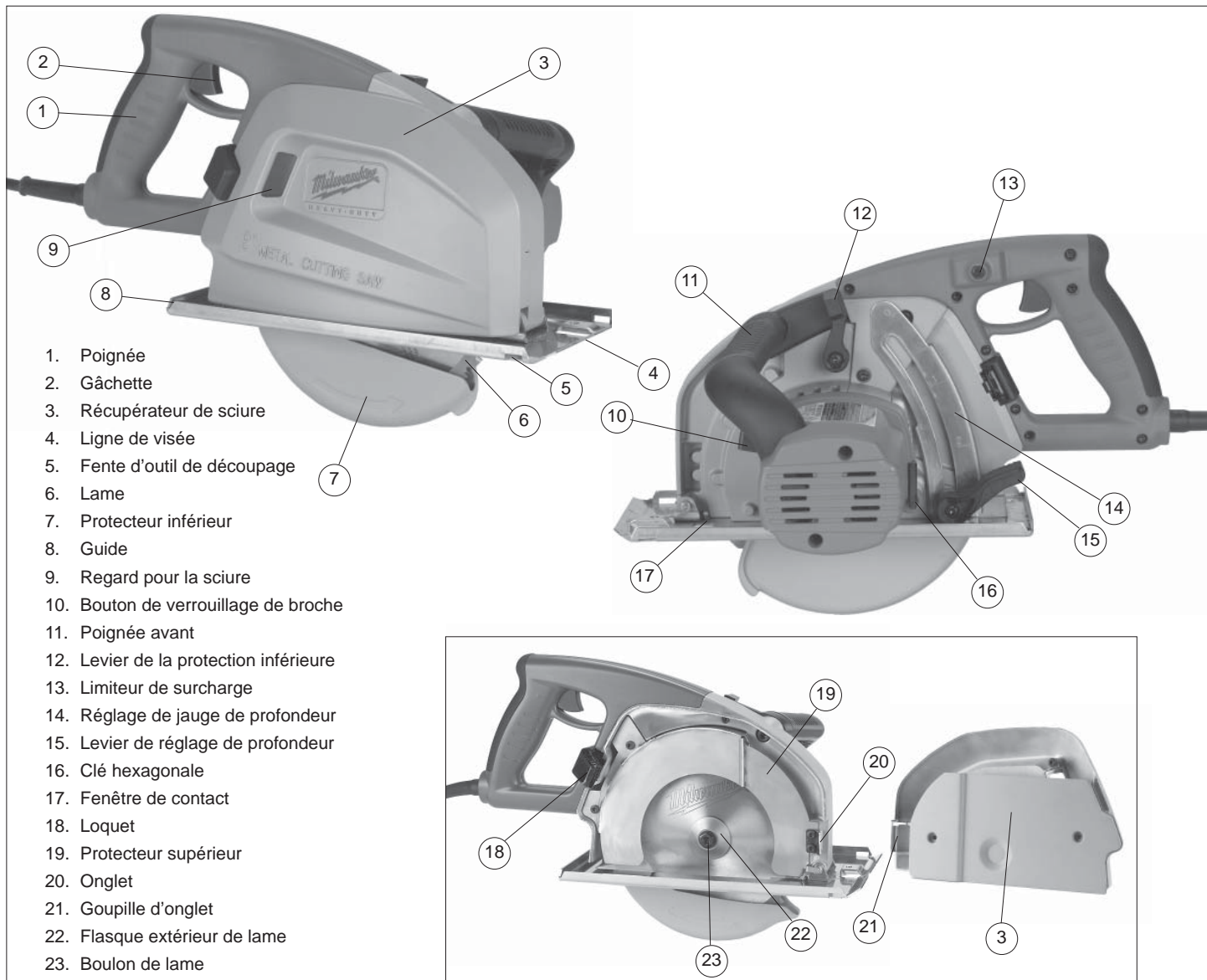
No de Cat.	Volts CA Seul.	A	T/Min. à vide	Taille de lame	Arbre rond	Profondeur de coupe
6370-20 et 6370-21	120	13	3 700	203 mm (8")	5/8"	0 à 65,1 mm (0 à 2-9/16")

Capacités

Matériaux *	6370-20 et 6370-21
Montants en acier, platelage en tôle, panneaux de toiture	Calibre 10, jusqu'à 65,1 mm (2-9/16") d'épaisseur
Tôle forte	6,4 mm (1/4")
Cornière	63,5 mm x 63,5 mm x 6,4 mm (2-1/2" x 2-1/2" x 1/4")

* Voir « Applications » pour coupe de matériaux d'une épaisseur supérieure à 6,4 mm(1/4").

DESCRIPTION FONCTIONNELLE



MISE À LA TERRE



Si le fil de mise à la terre est incorrectement raccordé, il peut en résulter des risques de choc électrique. Si vous n'êtes pas certain que la prise dont vous servez est correctement mise à la terre, faites-la vérifier par un électricien. N'altérez pas la fiche du cordon de l'outil. N'enlevez pas de la fiche, la dent qui sert à la mise à la terre. N'employez pas l'outil si le cordon ou la fiche sont en mauvais état. Si tel est le cas, faites-les réparer dans un centre-service MILWAUKEE accrédité avant de vous en servir. Si la fiche du cordon ne s'adapte pas à la prise, faites remplacer la prise par un électricien.

Outils mis à la terre :

Outils pourvus d'une fiche de cordon à trois dents

Les outils marqués « Mise à la terre requise » sont pourvus d'un cordon à trois fils dont la fiche a trois dents. La fiche du cordon doit être branchée sur une prise correctement mise à la terre (voir Figure A). De cette façon, si une défektivité dans le circuit électrique de l'outil survient, le relais à la terre fournira un conducteur à faible résistance pour décharger le courant et protéger l'utilisateur contre les risques de choc électrique.

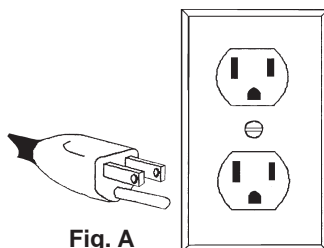


Fig. A

La dent de mise à la terre de la fiche est reliée au système de mise à la terre de l'outil via le fil vert du cordon. Le fil vert du cordon doit être le seul fil raccordé à un bout au système de mise à la terre de l'outil et son autre extrémité ne doit jamais être raccordée à une borne sous tension électrique.

Votre outil doit être branché sur une prise appropriée, correctement installée et mise à la terre conformément aux codes et ordonnances en vigueur. La fiche du cordon et la prise de courant doivent être semblables à celles de la Figure A.

Outils à double isolation :

Outils pourvus d'une fiche de cordon à deux dents

Les outils marqués « Double Isolation » n'ont pas besoin d'être raccordés à la terre. Ils sont pourvus d'une double isolation conforme aux exigences de l'OSHA et satisfont aux normes de l'Underwriters Laboratories, Inc., de l'Association canadienne de normalisation (ACNOR) et du « National Electrical Code » (code national de l'électricité). Les outils à double isolation peuvent être branchés sur n'importe laquelle des prises à 120 volt illustrées ci-contre Figure B et C.

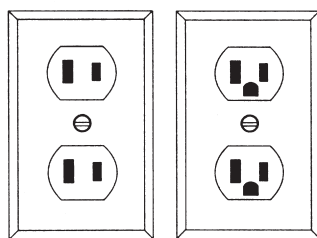


Fig. B

Fig. C

CORDONS DE RALLONGE

Si l'emploi d'un cordon de rallonge est nécessaire, un cordon à trois fils doit être employé pour les outils mis à la terre. Pour les outils à double isolation, on peut employer indifféremment un cordon de rallonge à deux ou trois fils. Plus la longueur du cordon entre l'outil et la prise de courant est grande, plus le calibre du cordon doit être élevé. L'utilisation d'un cordon de rallonge incorrectement calibré entraîne une chute de voltage résultant en une perte de puissance qui risque de détériorer l'outil. Reportez-vous au tableau ci-contre pour déterminer le calibre minimum du cordon.

Moins le calibre du fil est élevé, plus sa conductivité est bonne. Par exemple, un cordon de calibre 14 a une meilleure conductivité qu'un cordon de calibre 16. Lorsque vous utilisez plus d'une rallonge pour couvrir la distance, assurez-vous que chaque cordon possède le calibre minimum requis. Si vous utilisez un seul cordon pour brancher plusieurs outils, additionnez le chiffre d'intensité (ampères) inscrit sur la fiche signalétique de chaque outil pour obtenir le calibre minimal requis pour le cordon.

Directives pour l'emploi des cordons de rallonge

- Si vous utilisez une rallonge à l'extérieur, assurez-vous qu'elle est marquée des sigles « W-A » (« W » au Canada) indiquant qu'elle est adéquate pour usage extérieur.
- Assurez-vous que le cordon de rallonge est correctement câblé et en bonne condition. Remplacez tout cordon de rallonge détérioré ou faites-le remettre en état par une personne compétente avant de vous en servir.
- Tenez votre cordon de rallonge à l'écart des objets ranchants, des sources de grande chaleur et des endroits humides ou mouillés.

Calibres minimaux recommandés pour les cordons de rallonge*

Fiche signalétique Ampères	Longueur du cordon de rallonge (m)					
	7,6	15,2	22,8	30,4	45,7	60,9
0 - 5,0	16	16	16	14	12	12
5,1 - 8,0	16	16	14	12	10	--
8,1 - 12,0	14	14	12	10	--	--
12,1 - 15,0	12	12	10	10	--	--
15,1 - 20,0	10	10	10	--	--	--

* Basé sur une chute de voltage limite de 5 volts à 150% de l'intensité moyenne de courant.

**LISEZ ATTENTIVEMENT CES INSTRUCTIONS
ET CONSERVEZ-LES POUR LES
CONSULTER AU BESOIN.**



AVERTISSEMENT

Pour minimiser les risques de blessures, débranchez toujours l'outil avant d'y faire des réglages, d'y attacher ou d'en enlever les accessoires. L'usage d'accessoires autres que ceux qui sont spécifiquement recommandés pour cet outil peut comporter des risques.

Choix d'une lame

Choisissez une lame adaptée à votre application. Consultez la section « Accessoires » pour connaître la lites des lames adaptées pour cet outil.

Utilisez toujours des lames bien affûtées. Les lames émoussées tendent à surcharger l'outil et à accroître les risques de REcul. N'utilisez que des lames dont la vitesse maximale admissible est supérieure à la vitesse à vide indiquée sur la plaque signalétique de l'outil. Lisez les directives du fabricant de la lame avant de l'utiliser. N'utilisez aucun type de meule à tronçonner ou de disque diamant pour tronçonnage à sec. Utilisez le type de lame approprié à la tâche. L'utilisation d'une lame incorrecte risque de réduire le rendement ou d'endommager la lame. N'utilisez pas de lames fêlées ni de lames dont des dents sont cassées.

Vérification du fonctionnement du protecteur inférieur

Vérifiez le fonctionnement et l'état du ressort du levier protecteur. Si le protecteur et le levier ne fonctionnent pas correctement, vous devez les réparer avant d'utiliser la scie. Il peut arriver que le protecteur inférieur fonctionne lentement à cause de la présence de pièces endommagées, d'un encrassement ou d'une accumulation de débris.

1. Débranchez l'outil avant de vérifier le protecteur inférieur.
2. Placez l'outil sur le côté (Fig. 1).
 - N.B.** : Si l'outil n'est pas placé sur le côté, cette méthode n'indique pas si le protecteur inférieur fonctionne correctement.
3. Saisissez le protecteur inférieur par les côtés et poussez-le sur toute sa course dans le logement de la lame.
4. Relâchez le protecteur inférieur.
 - Si le protecteur revient immédiatement à sa position d'origine, il fonctionne correctement et vous pouvez continuer à l'utiliser.
 - Si le protecteur ne revient pas immédiatement à sa position d'origine, nettoyez les protecteurs supérieur et inférieur afin d'éliminer la sciure et les débris. Vérifiez de nouveau son fonctionnement en reprenant l'étape 1.
 - Si le protecteur ne fonctionne toujours pas, contactez un centre de service MILWAUKEE pour le faire réparer.

Dépose et montage du récupérateur de sciure



AVERTISSEMENT

- Ne JAMAIS faire fonctionner l'outil sans les protecteurs et le récupérateur de sciure, car de graves blessures peuvent survenir.
- Pour réduire les risques de blessures, porter des lunettes à coques latérales lors de la dépose du récupérateur de sciure. La sciure et les débris pourraient atteindre le visage.

1. Débranchez l'outil avant de déposer ou d'installer le récupérateur de sciure.
2. Pour **déposer** le récupérateur de sciure, ouvrez le loquet et tirez le récupérateur de sciure hors de l'onglet.
3. Pour **monter** le récupérateur de sciure, ajustez la goupille d'onglet sur l'onglet, positionnez le récupérateur de sciure et fixez solidement le loquet.

Montage et dépose des lames (Figs. 1 et 2)

Fig. 1



1. Débranchez l'outil avant d'installer ou de déposer les lames.
2. Déposez le récupérateur de sciure (voir « Dépose et montage du récupérateur de sciure »).
3. Placez la scie sur une surface plate, lame tournée vers le haut (Fig. 1). Enfoncez le bouton de verrouillage de broche pour enlever le boulon de lame de broche. Utilisez la clé fournie avec l'outil pour tourner le boulon de la lame dans le sens antihoraire. Retirez le boulon de lame et le rebord extérieur de lame. N'enlevez pas le rebord intérieur de lame.
4. Déposez la lame de la broche. Nettoyez toujours la broche, le protecteur supérieur et inférieur et les rebords de lame afin d'éliminer la sciure et les débris.
5. Pour monter une lame, placez-la sur la broche de façon à ce que ses dents pointent dans la direction indiquée par la flèche qui se trouve sur le protecteur inférieur (Fig. 2).

Fig. 2

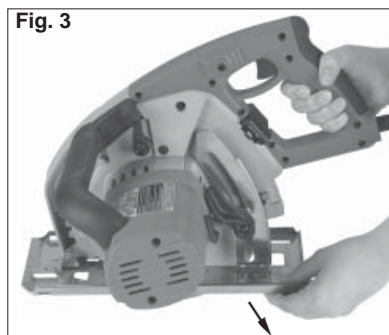


6. Placez le rebord de lame sur la broche et serrez le boulon de lame avec les doigts.
7. Tout en maintenant le bouton de verrouillage de broche enfoncé, utilisez la clé pour tourner le boulon de lame dans le sens horaire et le serrer.
8. Remettez en place le récupérateur de sciure (voir « Dépose et montage du récupérateur de sciure »).

Réglage de la profondeur (Figs. 3 et 4)

1. Débranchez l'outil avant de régler la profondeur de lame.
2. Pour régler la profondeur de coupe, tenez la scie par sa poignée et desserrez le levier de réglage de profondeur en le relevant pour l'éloigner du patin (Fig. 3).

Fig. 3



3. Relevez ou abaissez le guide à la position désirée. La profondeur est réglée correctement si la lame ne dépasse pas de plus de 6,4 mm (1/4") du dessous du matériau que vous coupez (Fig. 4).



4. Poussez le levier de réglage de profondeur vers le bas pour positionner solidement le patin.

Vidage du récupérateur de sciure

Le récupérateur de sciure ramasse la sciure et les autres débris de la pièce travaillée; il a donc besoin d'être vidé pour assurer un fonctionnement adéquat de l'outil.

1. Débranchez l'outil.
2. Déposez le récupérateur de sciure (voir « Dépose et montage du récupérateur de sciure ») et videz-le. Utilisez une brosse pour enlever toute la sciure et tous les débris.
3. Enlevez toute la sciure et tous les débris du protecteur supérieur, de la lame et du boîtier.
4. Remettez en place le récupérateur de sciure (voir « Dépose et montage du récupérateur de sciure »).

MANIEMENT

Causes du REÇUL et protection de l'opérateur :

Le REÇUL est une réaction soudaine au pincement, blocage ou désaxage de la scie, qui devient alors incontrôlable, la fait se soulever hors de la pièce et la repousse vers l'opérateur. Lorsque la lame est pincée ou coincée par le rétrécissement de l'entaille ou de la fente de coupe, elle se bloque et la réaction du moteur entraîne l'outil rapidement vers l'opérateur. Si la lame devient voilée ou désaxée dans la coupe, les dents du bord arrière de la lame peuvent s'enfoncer dans la surface supérieure du bois, ce qui fait sortir la lame de l'entaille et la fait bondir en arrière vers l'opérateur.

Le REÇUL résulte d'un mauvais emploi et/ou de méthodes ou conditions d'utilisation incorrectes et vous pouvez l'éviter en prenant les précautions suivantes :

1. **Saisissez toujours la scie solidement des deux mains et positionnez votre corps et votre bras pour pouvoir résister aux forces de REÇUL.** L'opérateur peut contrôler les forces de REÇUL s'il prend des précautions appropriées.
2. **Lorsque la lame se coince ou que vous interrompez une coupe pour une raison quelconque, relâchez la gâchette et maintenez la scie immobile dans le matériau jusqu'à l'arrêt complet de la lame. N'essayez jamais de retirer la scie de la pièce ou de tirer la scie en arrière alors que la lame tourne, pour éviter tout risque de REÇUL.** Recherchez la cause du coincement de la lame et prenez des mesures correctrices pour l'éliminer.
3. **Lorsque vous remettez la scie en marche dans la pièce, centrez sa lame dans l'entaille ou dans l'entaille et vérifiez que les dents ne sont pas enfoncées dans le matériau.** Si la lame est coincée, elle risque de remonter ou de REÇULER de la pièce lorsque la scie est remise en marche.
4. **Soutenez les panneaux de grande dimension pour minimiser les risques de pincement et de REÇUL de la lame.** Les grands panneaux ont tendance à fléchir sous leur propre poids. Des supports doivent être placés sous les deux côtés du panneau près de la ligne de coupe et du bord du panneau.
5. **N'utilisez pas de lames émoussées ou endommagées.** Les lames mal affûtées ou mal montées produisent une entaille étroite causant ainsi une friction excessive, un coincement de la lame et un REÇUL.
6. **Vous devez serrer et bloquer le levier de profondeur avant d'effectuer une coupe.** Si la lame se dérègle en cours de coupe, elle risque de se coincer et de provoquer un REÇUL.
7. **Faites preuve d'extrême prudence lorsque vous chantournez dans des cloisons existantes ou d'autres surfaces pleines.** La lame en saillie risque de couper des objets pouvant provoquer un REÇUL.
8. **Régalez la profondeur de coupe de façon à ce qu'elle n'excède pas l'épaisseur du matériau de plus de 6,4 mm (1/4").** Moins la lame est à découvert, moins elle a de chances de se coincer et de provoquer un REÇUL. Avant de couper, assurez-vous que les dispositifs de réglage de profondeur et d'angle de coupe biaise sont bien serrés.
9. **Restez vigilant.** Toute distraction peut causer un voilement ou un coincement. L'utilisateur risque de se laisser aller à des mouvements irréfléchis par suite de coupes répétitives.



AVERTISSEMENT

Pour réduire les risques de blessures, toutes les personnes présentes dans la zone de travail doivent porter des lunettes de sécurité ou des lunettes de protection avec écrans latéraux. Débrancher l'outil avant de changer des accessoires ou d'effectuer des réglages.

Maniement général (Figs. 5 et 6)

Fixez toujours la pièce solidement à un chevalet ou à un établi au moyen de serre-joints (Fig. 5). Voir « Applications » pour la façon correcte de soutenir une pièce dans différentes situations.

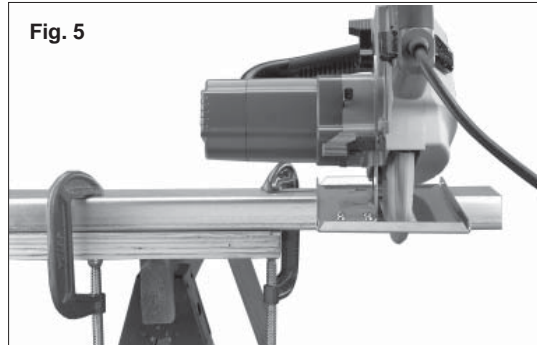


Fig. 5

1. Tracez une ligne de coupe. Placez l'avant du guide sur le bord de la pièce sans toucher celle-ci avec la lame. Tenez la gâchette d'une main et la poignée avant de l'autre (Fig. 6).



Fig. 6

2. Alignez la ligne de visée et votre ligne de coupe. Positionnez vos bras et votre corps de façon à résister au RECUL.
3. Appuyez sur la gâchette tout en laissant le moteur atteindre sa vitesse maximale avant de commencer la coupe.
4. Tout en coupant, maintenez le guide à plat contre la pièce et tenez fermement les poignées. Ne forcez pas la scie à découper la pièce. Sinon, un RECUL risque de se produire. Exercez une légère pression ininterrompue pour couper tout en suivant la ligne de coupe grâce à la ligne de visée.
5. Si vous effectuez une coupe partielle, repartez à mi-coupe ou corrigez la direction, attendez l'arrêt complet de la lame. Pour reprendre la coupe, centrez la lame dans l'entaille, reculez la scie loin du rebord de coupe sur quelques centimètres, appuyez sur la gâchette et recentrez lentement la coupe.
6. Si la lame se coince et se bloque, continuez à la tenir fermement et relâchez la gâchette immédiatement. Maintenez la scie immobile dans la pièce jusqu'à l'arrêt complet de la lame.
7. Une fois que vous avez terminé une coupe, assurez-vous de la fermeture du protecteur inférieur et de l'arrêt complet de la lame avant de poser la scie.

Limiteur de surcharge

Le limiteur de surcharge arrête automatiquement l'outil lorsque le moteur est en surcharge. L'outil peut connaître une surcharge lorsqu'une lame émoussée est utilisée, lorsque le matériau coupé est trop épais, lorsque la coupe est effectuée trop rapidement ou lors de la coupe de matériaux durs tels que l'acier inoxydable. Pour éviter que le limiteur de surcharge n'arrête l'outil, toujours utiliser une lame affûtée et suivre les instructions de coupe dans la section « Applications ». Ne pas tenter de couper ou d'annuler le limiteur de surcharge.

Si l'outil s'arrête automatiquement:

1. Relâcher la détente et débrancher l'outil.
2. Retirer la lame de la pièce à travailler.
3. Laisser l'outil reposer pendant au moins deux minutes.
4. Réinitialiser le limiteur de surcharge en enfonçant le bouton.
5. Laisser l'outil refroidir en le faisant fonctionner sans charge.
6. Reprendre la coupe. Lorsque vous remettez la scie en marche dans la pièce, centrez sa lame dans l'entaille ou dans l'entaille et vérifiez que les dents ne sont pas enfoncées dans le matériau. Si la lame est coincée, elle risque de remonter ou de RECULER de la pièce lorsque la scie est remise en marche.

APPLICATIONS

Cet outil est conçu pour couper des métaux ferreux non durcis et des métaux non ferreux. Reportez-vous à la section « Accessoires » pour une liste des lames à utiliser dans les applications correctes de cet outil. Vous devez prendre les précautions suivantes afin de réduire les risques de blessures :

- Ne coupez pas des matériaux empilés. Coupez une seule pièce à la fois.
- Ne coupez pas d'acier trempé.
- Coupez les matériaux en plaçant le bord le plus large du guide par dessus le côté immobilisé du matériau.
- Ne touchez pas la lame de scie, la pièce, les éclats ou le récupérateur de sciure avec les mains nues immédiatement après avoir coupé; ils risquent d'être chauds et de provoquer des brûlures cutanées.

Coupe de matériaux d'une épaisseur supérieure à 6,4 mm (1/4") (épaisseur maximum 19,1 mm (3/4"))



Pour réduire les risques de dommages à l'outil ou à la lame, ne pas dépasser la vitesse d'avance et la durée de coupe maximum indiquées dans le tableau ci-dessous pour les matériaux d'une épaisseur supérieure à 6,4 mm (1/4").

Entre les durées de coupe maximum, laisser l'outil refroidir pendant 60 minutes à l'air libre ou 6 minutes en fonctionnant sans charge.

Une coupe trop rapide ou trop longue dans un matériau épais endommage l'outil si le temps nécessaire à l'outil pour refroidir n'est pas alloué.

Une coupe trop lente provoque une usure excessive de la lame.

Lors de la coupe de matériaux d'une épaisseur supérieure à 6,4 mm (1/4"), il est nécessaire de respecter certaines règles pour éviter d'endommager l'outil et/ou la lame. La combinaison correcte des facteurs suivants permet de couper avec succès des matériaux plus épais:

1. **Épaisseur du matériau** (ne pas couper des matériaux d'une épaisseur supérieure à 19,1 mm (3/4"))
NOTA: Si l'épaisseur du matériau n'est pas illustrée dans le tableau ci-dessous, arrondir à l'épaisseur la plus proche indiquée dans le tableau et suivre les directives.
2. **Longueur de coupe maximum** (la longueur en pouces du matériau dans lequel la scie se déplace entre les périodes de refroidissement)
3. **Vitesse d'avance** (la vitesse en secondes par pouce à laquelle la scie se déplace dans le matériau)
4. **Durée de coupe maximum** (la durée totale pendant laquelle la scie peut être sous charge entre les périodes de refroidissement)
5. **Période de refroidissement** (6 minutes en fonctionnant sans charge ou 60 minutes au repos)

Épaisseur du matériau	Durée de coupe maximum (secondes)	Longueur de coupe maximum	Vitesse d'avance (sec./pouce)	Période de refroidissement
9,5 mm (3/8")	30 - 45	381 mm (15")	0,8 - 1,2 (2 - 3)	60 minutes au repos ou 6 minutes en fonctionnant sans charge
12,7 mm (1/2")	18 - 36	228,6 cm (9")	0,8 - 1,6 (2 - 4)	
15,9 mm (5/8")	18 - 30	152,4 cm (6")	1,2 - 2 (3 - 5)	
19,1 mm (3/4")	20 - 25	127 cm (5")	1,6 - 2 (4 - 5)	

Coupe de matériaux minces ou ondulés

Coupez les matériaux minces et ondulés à au moins 25,4 mm (1") du bord de la pièce pour éviter de vous blesser ou d'endommager l'outil par suite de la présence de minces bandes de métal attirées dans le protecteur supérieur.

Coupe de grandes tôles

Les grandes tôles fléchissent ou se cintrent si elles ne sont pas soutenues correctement. Si vous essayez de couper sans mettre la pièce à niveau ni la soutenir correctement, la lame aura tendance à se coincer et à provoquer un RECUL.

Soutenez les grandes tôles. Assurez-vous de régler la profondeur de coupe de façon à ne couper que la pièce, pas ses supports.

Lorsque vous coupez sur les largeurs supérieures à 101,6 mm (4"), fixez un morceau de bois de 25,4 mm (1") à la pièce au moyen d'un serre-joint ou de brochettes et guidez-vous avec le bord inférieur du guide.

Chantournage (Fig. 7)



AVERTISSEMENT

Pour réduire le risque de décharge électrique, vérifier avant de chantourner si l'aire de travail n'est pas traversée par des tuyaux et des fils dissimulés.

Un chantournage est effectué au milieu de la pièce lorsqu'elle ne peut être coupée en partant d'un bord. Nous recommandons d'utiliser une scie alternative Sawzall® ou une scie sauteuse pour ce type de coupe. Si toutefois vous devez utiliser une scie circulaire pour chantourner, FAITES PREUVE D'EXTRÊME PRUDENCE. Pour garder le contrôle de la scie lors du chantournage, tenez-la toujours des deux mains (Fig. 7).

1. En partant d'un coin, alignez la ligne de visée avec votre ligne de coupe. Inclinez la scie en avant en appuyant fermement l'avant du guide sur la pièce. La lame doit se trouver juste au-dessus de la ligne de coupe sans la toucher. Relevez le protecteur inférieur à l'aide de son levier.
2. Appuyez sur la gâchette tout en laissant le moteur atteindre sa vitesse maximale avant de commencer à couper. En utilisant l'avant du guide comme point d'articulation, abaissez progressivement l'arrière de la scie dans la pièce. Relâchez le levier du protecteur inférieur.
3. Lorsque le guide repose à plat contre la pièce, faites avancer la scie vers le côté opposé. Relâchez la gâchette et attendez l'arrêt complet de la lame avant de la retirer de la pièce. Répétez les opérations ci-dessus pour chaque côté de l'ouverture. Utilisez une scie alternative Sawzall®, une scie sauteuse ou une petite scie à main pour terminer les coins s'ils ne sont pas complètement découpés.



Fig. 7

Dépannage

Si la lame ne coupe pas en ligne droite :

- Les dents sont émoussées, car elles ont frappé un objet dur qui les a émoussées sur un côté. La lame a tendance à couper vers le côté avec ses dents les plus affûtées.
- Le guide est désaxé ou tordu
- La lame est tordue

Si la lame se coincé, fume ou bleuit par suite de friction :

- La lame est émoussée
- La lame est montée à l'envers
- La lame est tordue
- La lame est encrassée
- La pièce est mal soutenue
- Une lame incorrecte est utilisée

MAINTENANCE



AVERTISSEMENT

Pour minimiser les risques de blessures, débranchez toujours l'outil avant d'y effectuer des travaux de maintenance. Ne faites pas vous-même le démontage de l'outil ni le rebobinage du système électrique. Consultez un centre de service **MILWAUKEE** accrédité pour toutes les réparations.

Entretien de l'outil

Gardez l'outil en bon état en adoptant un programme d'entretien ponctuel. Avant de vous en servir, examinez son état en général. Inspectez-en la garde, interrupteur, cordon et cordon de rallonge pour en déceler les défauts. Vérifiez le serrage des vis, l'alignement et le jeu des pièces mobiles, les vices de montage, bris de pièces et toute autre condition pouvant en rendre le fonctionnement dangereux. Si un bruit ou une vibration insolite survient, arrêtez immédiatement l'outil et faites-le vérifier avant de vous en servir de nouveau. N'utilisez pas un outil défectueux. Fixez-y une étiquette marquée « HORS D'USAGE » jusqu'à ce qu'il soit réparé (voir « Réparations »).

Normalement, il ne sera pas nécessaire de lubrifier l'outil avant que le temps ne soit venu de remplacer les balais. Après une période pouvant aller de 6 mois à un an, selon l'usage, retournez votre outil à un centre de service **MILWAUKEE** accrédité pour obtenir les services suivants :

- Lubrification
- Inspection et remplacement des balais
- Inspection et nettoyage de la mécanique (engrenages, pivots, cousinets, boîtier etc.)
- Inspection électrique (interrupteur, cordon, induit etc.)
- Vérification du fonctionnement électromécanique



AVERTISSEMENT

Pour minimiser les risques de blessures, choc électrique et dommage à l'outil, n'immergez jamais l'outil et ne laissez pas de liquide s'y infiltrer.

Nettoyage

Débarrassez les événements des débris et de la poussière. Gardez les poignées de l'outil propres, à sec et exemptes d'huile ou de graisse. Le nettoyage de l'outil doit se faire avec un linge humide et un savon doux. Certains nettoyants tels l'essence, la térébenthine, les diluants à laque ou à peinture, les solvants chlorés, l'ammoniaque et les détergents d'usage domestique qui en contiennent pourraient détériorer le plastique et l'isolation des pièces. Ne laissez jamais de solvants inflammables ou combustibles auprès des outils.

Réparations

Si votre outil est endommagé, retournez l'outil entier au centre de maintenance le plus proche.

ACCESSOIRES



AVERTISSEMENT

Pour minimiser les risques de blessures, débranchez toujours l'outil avant d'y installer ou d'en enlever les accessoires. L'emploi d'accessoires autres que ceux qui sont expressément recommandés pour cet outil peut présenter des risques.

Pour une liste complète des accessoires, prière de se reporter au catalogue **MILWAUKEE** Electric Tool ou visiter le site internet www.milwaukeetool.com. Pour obtenir un catalogue, il suffit de contacter votre distributeur local ou l'un des centres-service.

Lames à couper de métal de 203 mm (8")

Lame à 40 dents

Pour la coupe de pièces de métal d'une épaisseur supérieure à 2,4 mm (3/32").

No de cat. 48-40-4515

Lame à 50 dents

Pour la coupe de pièces de métal d'une épaisseur inférieure à 2,4 mm (3/32").

No de cat. 48-40-4520

Clé (Allen) à lame

No de cat. 49-96-0345

Outil de découpage

No de cat. 49-22-4146

GARANTIE LIMITÉE DE L'OUTIL DE CINQ ANS

Tous les outils **MILWAUKEE** sont testés avant de quitter l'usine et sont garantis exempts de vice de matériau ou de fabrication. **MILWAUKEE** réparera ou remplacera (à la discrétion de **MILWAUKEE**), sans frais, tout outil (y compris les chargeurs de batterie) dont l'examen démontre le caractère défectueux du matériau ou de la fabrication dans les cinq (5) ans suivant la date d'achat. Retourner l'outil et une copie de la facture ou de toute autre preuve d'achat à une branche Entretien usine/Assistance des ventes de l'établissement **MILWAUKEE** ou à un centre d'entretien agréé par **MILWAUKEE**, en port payé et assuré. Cette garantie ne couvre pas les dommages causés par les réparations ou les tentatives de réparation par quiconque autre que le personnel agréé par **MILWAUKEE**, les utilisations abusives, l'usure normale, les carences d'entretien ou les accidents.

Le période de garantie pour les batteries V28 est de deux (2) ans à compter de la date d'achat. Le période de garantie pour les batteries Ni-Cd, les lampes de poche, les radios et palans est de un (1) an à partir de la date d'achat.

LES SOLUTIONS DE RÉPARATION ET DE REMPLACEMENT DÉCRITES PAR LES PRÉSENTES SONT EXCLUSIVES. **MILWAUKEE** NE SAURAIT ÊTRE RESPONSABLE, EN AUCUNE CIRCONSTANCE, DES DOMMAGES ACCESSOIRES, SPÉCIAUX OU INDIRECTS, Y COMPRIS LES MANQUES À GAGNER.

CETTE GARANTIE EST EXCLUSIVE ET REMPLACE TOUTES LES AUTRES GARANTIES OU CONDITIONS, ÉCRITES OU ORALES, EXPRESSES OU TACITES DE QUALITÉ MARCHANDE OU D'ADAPTATION À UNE UTILISATION OU UNE FIN PARTICULIÈRE.

Cette garantie vous donne des droits particuliers. Vous pouvez aussi bénéficier d'autres droits variant d'un état à un autre et d'une province à une autre. Dans les états qui n'autorisent pas les exclusions de garantie tacite ou la limitation des dommages accessoires ou indirects, les limitations ou exclusions ci-dessus peuvent ne pas s'appliquer. Cette garantie s'applique aux États-Unis, au Canada et au Mexique uniquement.

REGLAS DE SEGURIDAD GENERALES PARA HERRAMIENTAS ELÉCTRICAS



ADVERTENCIA

LEA TODAS LAS INSTRUCCIONES

Si no se siguen todas las siguientes instrucciones se puede provocar una descarga eléctrica, un incendio y/o lesiones graves. El término "herramienta eléctrica" en todas las advertencias incluidas más abajo se refiere a su herramienta operada por conexión (cable) a la red eléctrica o por medio de una batería (inalámbrica).

GUARDE ESTAS INSTRUCCIONES

SEGURIDAD EN EL ÁREA DE TRABAJO

1. **Mantenga limpia y bien iluminada el área de trabajo.** Las áreas desordenadas u oscuras contribuyen a que se produzcan accidentes.
2. **No utilice herramientas eléctricas en atmósferas explosivas, como en la presencia de líquidos, gases o polvo inflamables.** Las herramientas eléctricas crean chispas que pueden incendiar el polvo o las emanaciones.
3. **Mantenga a los niños y otras personas alejadas mientras utiliza una herramienta eléctrica.** Las distracciones pueden hacerle perder el control.

SEGURIDAD ELÉCTRICA

4. **Los enchufes de las herramientas eléctricas deben ser del mismo tipo que el tomacorrientes.** Nunca realice ningún tipo de modificación en el enchufe. No use enchufes adaptadores con herramientas eléctricas con conexión a tierra. Se reducirá el riesgo de descarga eléctrica si no se modifican los enchufes y los tomacorrientes son del mismo tipo.
5. **Evite el contacto corporal con superficies con conexión a tierra, como tuberías, radiadores, estufas y refrigeradores.** El riesgo de descarga eléctrica aumenta si su cuerpo está conectado a tierra.
6. **No exponga la herramientas eléctricas a la lluvia o a condiciones de humedad.** El agua que entra en una herramienta eléctrica aumenta el riesgo de descarga eléctrica.
7. **No abuse del cable.** Nunca use el cable para transportar la herramienta eléctrica, tirar de ella o desenchufarla. Mantenga el cable alejado del calor, los bordes afilados o las piezas en movimiento. Los cables dañados o enmarañados aumentan el riesgo de descarga eléctrica.
8. **Cuando se utiliza una herramienta eléctrica en el exterior, use una extensión que sea apropiada para uso en el exterior.** El uso de un cable apropiado para el exterior reduce el riesgo de descarga eléctrica.

SEGURIDAD PERSONAL

9. **Manténgase alerta, ponga cuidado a lo que está haciendo y use el sentido común cuando utilice una herramienta eléctrica.** No use una herramienta eléctrica cuando está cansado o bajo la influencia de drogas, alcohol o medicinas. Desprestarse un minuto cuando se utiliza una herramienta eléctrica puede tener como resultado lesiones personales graves.
10. **Use equipo de seguridad.** Lleve siempre protección ocular. Llevar equipo de seguridad apropiado para la situación, como una máscara antipolvo, zapatos de seguridad antideslizantes casco o protección auditiva, reducirá las lesiones personales.
11. **Evite los arranques accidentales.** Asegúrese de que el interruptor esté en la posición de apagado antes de enchufar la herramienta. Mover herramientas con el dedo en el interruptor o enchufar herramientas con el interruptor en la posición de encendido contribuye a que se produzcan accidentes.
12. **Quite todas las llaves de ajuste antes de encender la herramienta.** Una llave que esté acoplada a una pieza giratoria de la herramienta puede provocar lesiones personales.

13. **No se estire demasiado.** Mantenga los pies bien asentados y el equilibrio en todo momento. Esto permite tener mejor control de la herramienta eléctrica en situaciones inesperadas.
14. **Vístase de manera apropiada.** No lleve ropa suelta ni joyas. Mantenga el cabello, la ropa y los guantes lejos de la piezas en movimiento. La ropa floja, las joyas o el cabello largo pueden quedar atrapados en las piezas en movimiento.
15. **Si se proporcionan dispositivos para la conexión de sistemas de recolección y extracción de polvo, asegúrese de que estén conectados y se usen apropiadamente.** El uso de estos dispositivos puede reducir los peligros relacionados con el polvo.

USO Y CUIDADO DE LAS HERRAMIENTAS ELÉCTRICAS

16. **No fuerce la herramienta eléctrica.** Use la herramienta eléctrica correcta para la aplicación. La herramienta eléctrica correcta funcionará mejor y de manera más segura a la velocidad para la que se diseñó.
17. **No use la herramienta eléctrica si el interruptor no la enciende ni la apaga.** Cualquier herramienta eléctrica que no se pueda controlar con el interruptor es peligrosa y se debe reparar.
18. **Desconecte el enchufe de la toma de alimentación y/o la batería de la herramienta eléctrica antes de realizar cualquier ajuste, cambiar accesorios o almacenar las herramientas eléctricas.** Dichas medidas preventivas de seguridad reducen el riesgo de que la herramienta se prenda accidentalmente.
19. **Almacene las herramientas eléctricas fuera del alcance de los niños y no permita que personas no familiarizadas con ellas o estas instrucciones las utilicen.** Las herramientas eléctricas son peligrosas en las manos de usuarios no capacitados.
20. **Mantenimiento de las herramientas eléctricas.** Revise que no haya piezas móviles que estén desalineadas o que se atasquen, piezas rotas ni ninguna otra condición que pueda afectar el funcionamiento de la herramienta eléctrica. Si se encuentran daños, haga que le reparen la herramienta antes de usarla. Las herramientas mal mantenidas son la causa de muchos accidentes.
21. **Mantenga las herramientas de corte limpias y afiladas.** Es menos probable que se atasquen las herramientas de corte con filos afilados que se mantienen de manera apropiada y también son más fáciles de controlar.
22. **Use la herramienta eléctrica, los accesorios y las brocas, etc. siguiendo estas instrucciones y de la manera para la que dicha herramienta eléctrica en particular fue diseñada, teniendo en cuenta las condiciones de trabajo y la tarea que se va a realizar.** El uso de la herramienta eléctrica para operaciones diferentes de aquellas para las que se diseñó podría resultar en una situación peligrosa.
23. **Haga que un técnico calificado realice el mantenimiento de la herramienta eléctrica utilizando solamente piezas de repuesto idénticas.** Esto asegurará que se mantiene la seguridad de la herramienta eléctrica.

MANTENIMIENTO

1. ¡PELIGRO!

Mantenga las manos alejadas del área de corte y la cuchilla. Mantenga la otra mano en el mango auxiliar o en el alojamiento del motor. Si ambas manos están sujetando la sierra, la cuchilla no puede cortarlas.

No meta la mano debajo de la pieza en la que se está trabajando. La guarda no lo puede proteger de la cuchilla debajo de la pieza en la que se está trabajando.

Ajuste la profundidad de corte al grosor de la pieza en la que se está trabajando. Por debajo de la pieza en la que se está trabajando se debe ver menos de un diente completo de la cuchilla.

NUNCA sujete la pieza que se está cortando con las manos o sobre las pierns. Asegure la pieza a una plataforma estable. Es importante apoyar la pieza de manera apropiada para reducir al mínimo la exposición del cuerpo, el agarrotamiento de la cuchilla o la pérdida de control.

Agarre la herramienta eléctrica por los asideros aislados cuando realice una operación en la que la herramienta de corte pueda entrar en contacto con cables ocultos o con su propio cable. El contacto con un cable "con corriente" hará que las partes de metal expuesto de la herramienta pasen la corriente y produzcan una descarga al operador.

Cuando se esté serrando al hilo, use siempre una guía de cortar al hilo o una regla. Esto mejora la precisión del corte y reduce la posibilidad de que la cuchilla se atasque.

Use siempre cuchillas con el tamaño y la forma correctos (diamante versus redonda) de los agujeros para el eje. Las cuchillas que no coinciden con la tornillería de montaje de la sierra se moverán excéntricamente, provocando la pérdida de control.

Nunca use arandelas o pernos dañados o incorrectos. Las arandelas y pernos de la cuchilla fueron especialmente diseñados para su sierra, para un rendimiento óptimo y una utilización segura.

2. Causas y prevención por parte del operario del REBOTE:

El REBOTE es una reacción repentina a una cuchilla atascada o mal alineada que hace que una sierra sin controlar se levante y se salga de la pieza en la que se está trabajando hacia el operador.

Cuando la cuchilla está atrapada o atascada porque la entalladura se cierra, la cuchilla se para y la reacción del motor impulsa la unidad rápidamente hacia el operador.

Si la cuchilla se dobla o pierde la alineación en el corte, los dientes en el borde trasero de la cuchilla pueden hundirse en la superficie superior de la madera haciendo que la cuchilla se salga de la entalladura y salte hacia atrás, hacia el operador.

El REBOTE es el resultado de un uso indebido de la sierra o de procedimientos o condiciones de utilización incorrectos, y se puede evitar tomando las precauciones apropiadas que se presentan a continuación:

Agarre la sierra firmemente con ambas manos y coloque los brazos de manera que resistan las fuerzas de rebote. Coloque el cuerpo a cualquiera de los lados de la cuchilla, pero no alineado con ésta. El rebote podría hacer que la sierra salte hacia atrás, pero las fuerzas de rebote pueden ser controladas por el operador si se toman las precauciones apropiadas.

Cuando la cuchilla se está atascando, o cuando se interrumpe el corte por cualquier motivo, suelte el gatillo y mantenga la sierra inmóvil en el material hasta que la sierra se pare por completo. Nunca intente sacar la sierra de la pieza en la que se está trabajando ni tire de ella hacia detrás mientras está en movimiento ya que esto puede provocar el rebote. Investigue y tome las acciones correctivas pertinentes para eliminar la causa del atascamiento de la cuchilla.

Cuando se vuelva a introducir la sierra en la pieza en la que se está trabajando, centre la cuchilla en la entalladura y revise que los dientes de la sierra no estén en contacto con el material. Si la cuchilla de la sierra se atasca, puede moverse hacia atrás o rebotar cuando se vuelve a arrancar la sierra.

Apoye los paneles grandes para minimizar el riesgo de que la cuchilla se atore y rebote. Los paneles grandes tienden a pandearse bajo su propio peso. Se deben colocar soportes debajo del panel a ambos lados, cerca de la línea de corte y cerca del borde del panel.

No usar una cuchilla desafilada o dañada. Las cuchillas sin afilar o mal colocadas producen una entalladura estrecha que provoca un fricción excesiva, atascamiento de la cuchilla y rebote.

Las palancas de bloqueo del ajuste de la profundidad y el bisel de la cuchilla deben estar apretadas y aseguradas antes de realizar el corte. Si el ajuste de la cuchilla cambia mientras se realiza el corte, esto puede provocar que la cuchilla se atasque y rebote.

Sea extremadamente precavido cuando realice un "corte por penetración" en paredes u otras áreas ciegas. La cuchilla que sobresale puede cortar objetos que pueden provocar el rebote.

- 3. Verifique que la guarda inferior esté bien cerrada antes de cada uso. No utilice la sierra si la guarda inferior no se mueve libremente y no se cierra inmediatamente. Nunca amarre o sujete la guarda inferior en la posición abierta.** Si se le cae la sierra accidentalmente, es posible que la guarda inferior se doble. Suba la guarda inferior con su palanca correspondiente y asegúrese de que se mueve libremente y de que no toca la cuchilla ni ninguna otra pieza en todos los ángulos y profundidades de corte.

Revise el funcionamiento del resorte de la guarda inferior. Si la guarda y el resorte no están funcionando correctamente, se deben reparar antes del uso. La guarda inferior puede funcionar lentamente debido a piezas dañadas, depósitos gomosos o acumulación de residuos.

El protector inferior debe retraerse manualmente solamente para cortes especiales como "cortes por penetración" y "cortes compuestos". Suba la guarda inferior usando la palanca correspondiente y, tan pronto como la cuchilla entra en el material, se debe soltar la guarda inferior. Para todas las demás tareas de serrado la guarda inferior debe funcionar automáticamente.

Observe siempre que la guarda inferior esté cubriendo la cuchilla antes de colocar la sierra sobre el banco o el suelo. Una cuchilla funcionando por inercia y sin proteger hará que la sierra avance hacia atrás, cortando lo que sea que se encuentre en su camino. Esté atento al tiempo que tarda la cuchilla en parar después de soltar el interruptor.

- 4. Mantenga las etiquetas y las placas identificativas.** Tienen información importante. Si no se pueden leer o si faltan, póngase en contacto con un centro de servicio MILWAUKEE para obtener un repuesto gratuito.







- 5. ¡ADVERTENCIA!** Ciertos polvos creados al lijar, serrar, esmerilar, perforar y realizar otras actividades de construcción contienen productos químicos que se sabe que causan cáncer, defectos congénitos u otros daños al aparato reproductor. Algunos ejemplos de dichos productos químicos son:

- plomo de pintura con base de plomo
- sílice cristalino de los ladrillos y cemento y de otros productos de mampostería, y
- arsénico y cromo de madera tratada químicamente.

Su riesgo de exposición varía dependiendo de la frecuencia con la que realice este tipo de trabajo. Para reducir su exposición a estos productos químicos: trabaje en un área bien ventilada, y trabaje con equipo de seguridad aprobado, como máscaras antipolvo especialmente diseñadas para filtrar partículas microscópicas.

6. **No toque el material inmediatamente después de cortarlo.** Sea precavido; el material cortado podría estar caliente y afilado.
7. **No use aceite para corte.** El uso de aceite para corte podría ocasionar un incendio.
8. **No use la herramienta cerca de material inflamable.** Las chispas pueden ocasionar un incendio.
9. **La tapa del contenedor de virutas podría estar caliente después del uso.** Tenga cuidado cuando vacíe el contenedor de virutas o cuando cambie la cuchilla.
10. **No ponga en marcha la cuchilla cuando esté en contacto con la pieza de trabajo.** Espere a que la cuchilla alcance la velocidad máxima antes de comenzar el corte.

Simbología

	Con doble aislamiento
	Canadian Standards Association Underwriters Laboratories, Inc.
	Volts de corriente alterna
	Amperios
	Revoluciones por minuto sin carga (rpm)
	Marca mejicana de la aprobación

Especificaciones

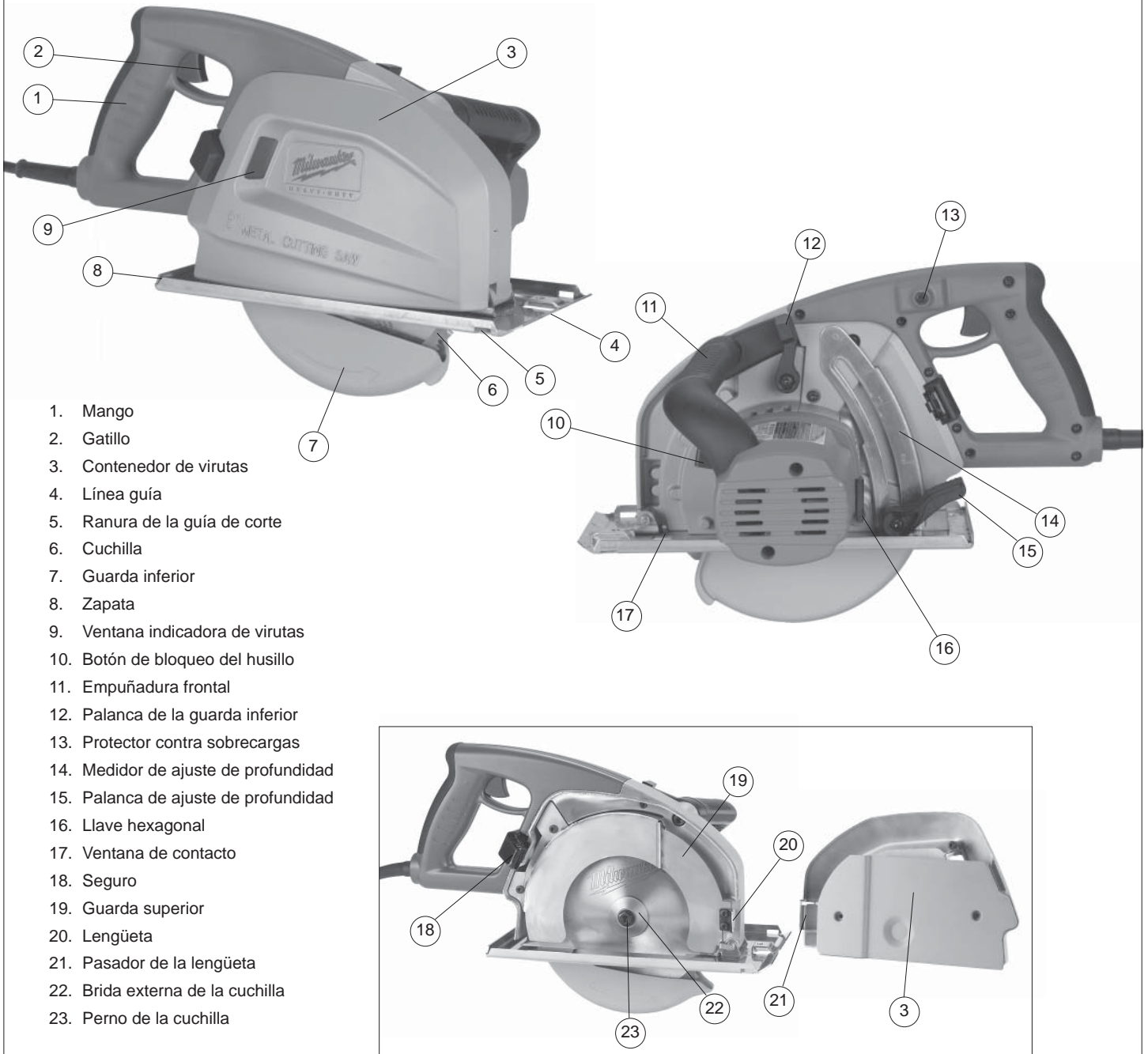
Cat. No.	Volts solamente	A	rpm	Tamaño de la cuchilla	Husillo redondo	Profundidad de corte
6370-20 y 6370-21	120	13	3 700	203 mm (8")	5/8"	0 a 65,1 mm (0 a 2-9/16")

Capacidades

Materiales *	6370-20 y 6370-21
Fijaciones de acero, cubiertas de acero, paneles de techo	Calibre 10, hasta 65,1 mm (2-9/16") de espesor
Chapa de acero	6,4 mm (1/4") de espesor
Hierro angular	63,5 mm (2-1/2") x 63,5 mm (2-1/2") x 6,4 mm (1/4")

* Vea "Aplicaciones" para corte de materiales con un grosor superior a 6,4 mm (1/4").

DESCRIPCION FUNCIONAL



TIERRA



ADVERTENCIA

Puede haber riesgo de descarga eléctrica si se conecta el cable de conexión de puesta a tierra incorrectamente. Consulte con un electricista certificado si tiene dudas respecto a la conexión de puesta a tierra del tomacorriente. No modifique el enchufe que se proporciona con la herramienta. Nunca retire la clavija de conexión de puesta a tierra del enchufe. No use la herramienta si el cable o el enchufe está dañado. Si está dañado antes de usarlo, llévelo a un centro de servicio **MILWAUKEE** para que lo reparen. Si el enchufe no se acopla al tomacorriente, haga que un electricista certificado instale un tomacorriente adecuado.

Herramientas con conexión a tierra:

Herramientas con enchufes de tres clavijas

Las herramientas marcadas con la frase "Se requiere conexión de puesta a tierra" tienen un cable de tres hilo y enchufes de conexión de puesta a tierra de tres clavijas. El enchufe debe conectarse a un tomacorriente debidamente conectado a tierra (véase la Figura A). Si la herramienta se averiara o no funcionara correctamente, la conexión de puesta a tierra proporciona un trayecto de baja resistencia para desviar la corriente eléctrica de la trayectoria del usuario, reduciendo de este modo el riesgo de descarga eléctrica.

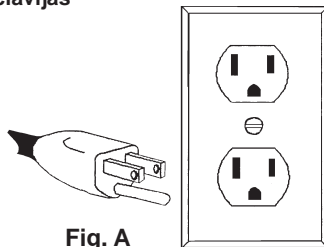


Fig. A

La clavija de conexión de puesta a tierra en el enchufe está conectada al sistema de conexión de puesta a tierra de la herramienta a través del hilo verde dentro del cable. El hilo verde debe ser el único hilo conectado al sistema de conexión de puesta a tierra de la herramienta y nunca se debe unir a una terminal energizada.

Su herramienta debe estar enchufada en un tomacorriente apropiado, correctamente instalado y conectado a tierra según todos los códigos y reglamentos. El enchufe y el tomacorriente deben asemejarse a los de la Figura A.

Herramientas con doble aislamiento:

Herramientas con clavijas de dos patas

Las herramientas marcadas con "Doble aislamiento" no requieren conectarse "a tierra". Estas herramientas tienen un sistema aislante que satisface los estándares de OSHA y llena los estándares aplicables de UL (Underwriters Laboratories, Inc.), de la Asociación Canadiense de Estándares (CSA) y el Código Nacional de Electricidad. Las herramientas con doble aislamiento pueden ser usadas en cualquiera de los toma corriente de 120 Volt mostrados en las Figuras B y C.

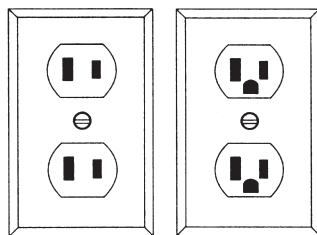


Fig. B

Fig. C

EXTENSIONES ELÉCTRICAS

Las herramientas que deben conectarse a tierra cuentan con clavijas de tres patas y requieren que las extensiones que se utilicen con ellas sean también de tres cables. Las herramientas con doble aislamiento y clavijas de dos patas pueden utilizarse indistintamente con extensiones de dos a tres cables. El calibre de la extensión depende de la distancia que exista entre la toma de la corriente y el sitio donde se utilice la herramienta. El uso de extensiones inadecuadas puede causar serias caídas en el voltaje, resultando en pérdida de potencia y posible daño a la herramienta. La tabla que aquí se ilustra sirve de guía para la adecuada selección de la extensión.

Mientras menor sea el número del calibre del cable, mayor será la capacidad del mismo. Por ejemplo, un cable calibre 14 puede transportar una corriente mayor que un cable calibre 16. Cuando use más de una extensión para lograr el largo deseado, asegúrese que cada una tenga al menos, el mínimo tamaño de cable requerido. Si está usando un cable de extensión para más de una herramienta, sume los amperes de las varias placas y use la suma para determinar el tamaño mínimo del cable de extensión.

Guías para el uso de cables de extensión

- Si está usando un cable de extensión en sitios al aire libre, asegúrese que está marcado con el sufijo "W-A" ("W" en Canadá) el cual indica que puede ser usado al aire libre.
- Asegúrese que su cable de extensión está correctamente cableado y en buenas condiciones eléctricas. Cambie siempre una extensión dañada o hágala reparar por una persona calificada antes de volver a usarla.
- Proteja su extensión eléctrica de objetos cortantes, calor excesivo o áreas mojadas.

Calibre mínimo recomendado para cables de extensiones eléctricas*

Amperios (En la placa)	Largo de cable de Extensión en (m)					
	7,6	15,2	22,8	30,4	45,7	60,9
0 - 5,0	16	16	16	14	12	12
5,1 - 8,0	16	16	14	12	10	--
8,1 - 12,0	14	14	12	10	--	--
12,1 - 15,0	12	12	10	10	--	--
15,1 - 20,0	10	10	10	--	--	--

* Basado en limitar la caída en el voltaje a 5 volts al 150% de los amperios.

LEA Y GUARDE TODAS LAS INSTRUCCIONES PARA FUTURAS REFERENCIAS.



ADVERTENCIA

Para reducir el riesgo de lesiones, desconecte siempre la herramienta antes de fijar o retirar accesorios, o antes de efectuar ajustes. Utilice sólo los accesorios específicamente recomendados. El uso de otros accesorios puede ser peligroso.

Selección de la cuchilla

Seleccione una cuchilla apropiada para su aplicación. Consulte la sección "Accesorios" para obtener una lista de las cuchillas para esta herramienta.

Siempre use cuchillas afiladas. Las cuchillas sin filo tienden a sobrecargar la herramienta y aumentan la probabilidad de CONTRAGOLPE. Sólo use cuchillas con una velocidad máxima de operación segura mayor que las RPM sin carga indicadas en la placa de especificaciones de la herramienta. Lea las instrucciones del fabricante de la cuchilla antes de usarla. No use cuchillas abrasivas ni romboidales en seco de ningún tipo. Use el tipo correcto de cuchilla para su aplicación. El uso de una cuchilla errónea puede resultar en un desempeño deficiente o en daño a la cuchilla. No use cuchillas que estén agrietadas ni que tengan dientes rotos.

Cómo verificar el funcionamiento de la guarda inferior

Verifique el funcionamiento y la condición de la palanca de la guarda inferior. Si la guarda y la palanca no funcionan apropiadamente, será necesario repararlas antes de volver a usarlas. La guarda inferior puede funcionar defectuosamente debido a partes dañadas, depósitos resinosos o por la acumulación de restos de material.

1. Desconecte la herramienta antes de verificar la guarda inferior.
2. Coloque la herramienta sobre su propio lado (Fig. 1).
NOTA: Este procedimiento no mostrará un funcionamiento correcto de la guarda inferior si la herramienta no se halla sobre su propio lado.
3. Sujete la guarda inferior por los lados y empújela completamente hacia el alojamiento de la cuchilla.
4. Suelte la guarda inferior.
 - Si la guarda salta inmediatamente hacia su lugar, significa que está funcionando correctamente y puede continuar utilizándola.
 - Si la guarda no salta inmediatamente hacia su lugar, limpie las guardas superior e inferior para remover todas las virutas o restos de material. Luego, verifique nuevamente el funcionamiento comenzando con el primer paso.
 - Si aún así la guarda todavía no salta inmediatamente hacia su lugar, comuníquese con un centro de servicio autorizado de *MILWAUKEE* para que la reparen.

Cómo extraer e instalar el contenedor de virutas

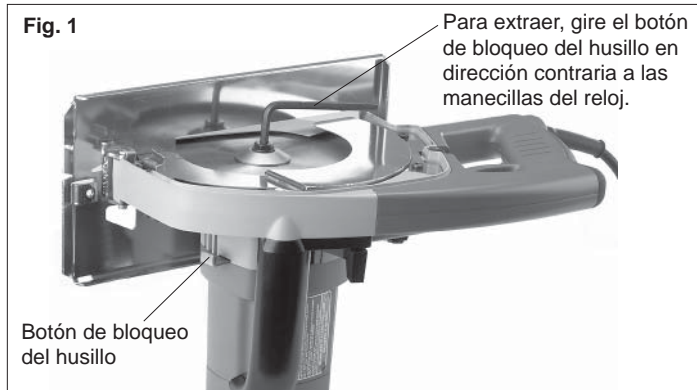


ADVERTENCIA

- **NUNCA** haga funcionar la herramienta si las guardas y el contenedor de virutas no se encuentran instalados. Podrían ocasionarse lesiones graves.
- **A fin de reducir el riesgo de lesionarse, use anteojos de seguridad con protección lateral cuando extraiga el contenedor de virutas. Las virutas y los restos de material podrían caerle en la cara.**

1. Desconecte la herramienta antes de extraer o instalar el contenedor de virutas.
2. Para **extraer** el contenedor de virutas, abra el seguro y extraiga el contenedor de virutas de la lengüeta.
3. Para **instalar** el contenedor de virutas, sitúe el pasador de la lengüeta en la lengüeta, coloque el contenedor de virutas y afiance el seguro.

Cómo instalar y extraer las cuchillas (Figs. 1 y 2)



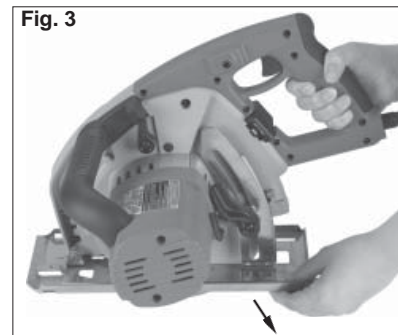
1. Desconecte la herramienta antes de instalar o extraer cuchillas.
2. Extraiga el contenedor de virutas (consulte la sección "Cómo extraer e instalar el contenedor de virutas").
3. Coloque la sierra sobre una superficie plana con la cuchilla orientada hacia arriba (Fig. 1). Para extraer el perno de la cuchilla, mantenga oprimido el botón de bloqueo del husillo. Mediante la llave suministrada con la herramienta, gire el perno de la cuchilla en dirección contraria a las manecillas del reloj. Extraiga el perno de la cuchilla y la brida externa de la cuchilla. No retire la brida de cuchilla interna.
4. Extraiga la cuchilla del husillo. Siempre limpie el husillo, la guarda superior, la guarda inferior y las bridas de la cuchilla para remover virutas y restos de material.
5. Para instalar una cuchilla, coloque la cuchilla en el husillo con los dientes apuntando en la misma dirección que la flecha en la guarda inferior (Fig. 2).



6. Coloque la arandela de la cuchilla en el husillo y apriete el perno de la cuchilla con la mano.
7. Mientras mantiene oprimido el botón de bloqueo, use la llave de tuercas para girar el perno de la cuchilla en el sentido de las manecillas del reloj y apretarlo.
8. Vuelva a colocar el contenedor de virutas (consulte la sección "Cómo extraer e instalar el contenedor de virutas").

Cómo ajustar la profundidad de corte (Figs. 3 y 4)

1. Desconecte la herramienta antes de ajustar la profundidad de la cuchilla.
2. Para ajustar la profundidad de corte, sujete la sierra por la empuñadura y afloje la palanca de ajuste de profundidad de corte tirando de ella hacia arriba, en dirección contraria a la zapata (Fig. 3).



3. Eleve o descienda la zapata hasta la posición deseada. Para seleccionar la profundidad de corte apropiada, la cuchilla no debe extenderse más de 6,4 mm (1/4") por debajo del material a cortar (Fig. 4).



4. Empuje la palanca de ajuste de profundidad hacia abajo para asegurar la posición de la zapata.

Cómo vaciar el contenedor de virutas

Las virutas y restos de material de la pieza de trabajo se recolectan dentro de un contenedor de virutas, el cual deberá vaciarse para garantizar el funcionamiento correcto de la herramienta.

1. Desconecte la herramienta.
2. Extraiga el contenedor de virutas (consulte la sección "Cómo extraer e instalar el contenedor de virutas") y vacíelo. Utilice un cepillo para asegurarse que se hayan removido todas las virutas y restos de material.
3. Remueva las virutas y restos de material de la guarda superior, la cuchilla y el alojamiento.
4. Vuelva a colocar el contenedor de virutas (consulte la sección "Cómo extraer e instalar el contenedor de virutas").

Causas del CONTRAGOLPE y Prevención del Operador:

El CONTRAGOLPE es una reacción repentina a una cuchilla aplastada, atorada o desalineada que causa que una sierra sin control se eleve y se lance en dirección del operador. Cuando la ranura de corte se cierra y la cuchilla queda aplastada o se atora firmemente en ella, la cuchilla se detiene y la reacción del motor lanza la unidad rápidamente hacia el operador. Si la cuchilla se dobla o se desalinea en el corte, los dientes en el borde posterior de la cuchilla pueden enterrarse en la superficie superior de la madera y hacer que la cuchilla se salga de la ranura, ocasionando que la herramienta salte en dirección del operador.

El CONTRAGOLPE es el resultado del uso indebido de la herramienta o de las condiciones o procedimientos operacionales erróneos y puede evitarse mediante precauciones apropiadas según se indica a continuación:

1. **Sujete firmemente la herramienta con ambas manos y coloque su cuerpo y brazo de manera que le permitan resistir las fuerzas del CONTRAGOLPE.** El operador puede controlar las fuerzas del CONTRAGOLPE si se toman las precauciones apropiadas.
2. **Cuando la cuchilla se esté atorando, o al interrumpir el corte por cualquier razón, suelte el gatillo y sujete la sierra sobre el material, sin moverla, hasta que la cuchilla se detenga completamente. Nunca intente extraer la sierra de la pieza de trabajo ni tire de la sierra hacia atrás mientras la cuchilla esté en movimiento ya que podría ocurrir un CONTRAGOLPE.** Investigue y tome las acciones correctivas para eliminar la causa de atoramiento de la cuchilla.
3. **Al volver a colocar la sierra en la pieza de trabajo, centre la cuchilla en la ranura o corte, y verifique que los dientes de la sierra no hagan contacto con el material.** Si la cuchilla se trava, podría elevarse o producir el CONTRAGOLPE de la pieza de trabajo al activar la sierra.
4. **Brinde apoyo a los paneles grandes para minimizar el riesgo de que la cuchilla quede atrapada y de producir un CONTRAGOLPE.** Los paneles grandes tienden a pandearse bajo su propio peso. Es necesario colocar apoyos debajo del panel en ambos lados, cerca de la línea de corte y cerca del borde del panel.
5. **No use cuchillas desafiladas o dañadas.** Las cuchillas desafiladas o con triscado erróneo producen una ranura delgada que ocasiona fricción excesiva, atoramiento de la cuchilla y CONTRAGOLPE.
6. **La palanca de ajuste de profundidad debe estar apretada firmemente antes de efectuar el corte.** Si el ajuste de la cuchilla se mueve durante el corte, puede ocasionar atoramiento y CONTRAGOLPE.
7. **Observe suma precaución al efectuar un "Corte de cavidad" en paredes existentes o en otras áreas cerradas.** La cuchilla saliente puede cortar objetos que a su vez pueden ocasionar CONTRAGOLPE.
8. **Ajuste la profundidad de corte a un máximo de 6,4 mm (1/4") mayor que el grosor del material.** Al reducir la exposición de la cuchilla, menor será la probabilidad de atoramiento y de CONTRAGOLPE. Antes de cortar, asegúrese de que los ajustes de profundidad y de corte en bisel estén apretados.
9. **Manténgase alerta.** Cualquier distracción puede ocasionar pandeo o atoramiento. Los cortes repetitivos pueden hacer que el usuario efectúe movimientos descuidados.



ADVERTENCIA

A fin de reducir el riesgo de lesionarse, toda persona en el área de trabajo deberá usar anteojos de seguridad con protección lateral. Desenchufe la herramienta antes de cambiar accesorios o realizar ajustes.

Operación general (Figs. 5 y 6)

Siempre sujete con firmeza la pieza en un caballete o en un banco de trabajo (Fig. 5). Consulte la sección "Aplicaciones" para determinar la manera correcta de apoyar su pieza de trabajo en situaciones diferentes.

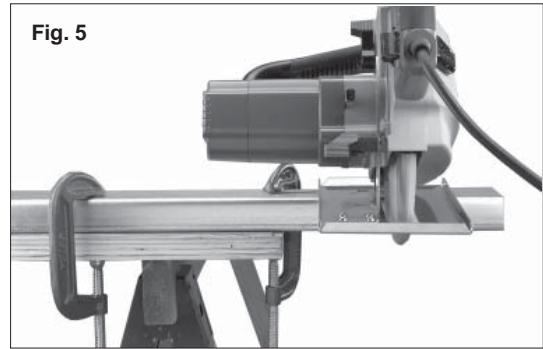


Fig. 5

1. Marque una línea de corte. Coloque el frente de la zapata en el borde de la pieza de trabajo sin hacer contacto con la cuchilla. Sujete la empuñadura del gatillo con una mano y la empuñadura delantera con la otra (Fig. 6).



Fig. 6

2. Alinee la línea guía con la línea de corte. Coloque sus brazos y su cuerpo en posición para resistir el CONTRAGOLPE.
3. Tire del gatillo y permita que el motor alcance la velocidad máxima antes de comenzar el corte.
4. Al cortar, mantenga la zapata apoyada sobre la pieza de trabajo y sujete firmemente la herramienta. No fuerce la herramienta a través de la pieza de trabajo. Al forzar la herramienta puede ocasionar el CONTRAGOLPE. Aplique presión continua para realizar el corte a la vez que sigue la línea de corte a través de la línea guía.
5. Al efectuar un corte parcial, al reanudar un corte o al corregir la dirección, deje que la cuchilla se detenga completamente. Para continuar el corte, centre la cuchilla en la ranura, retroceda la sierra del borde de corte unas cuantas pulgadas, tire del gatillo y reintroduzca el corte lentamente.
6. Si la sierra se atora y se detiene, continúe sujetándola firmemente y suelte inmediatamente el gatillo. Sujete la sierra en la pieza de trabajo, sin moverla, hasta que la cuchilla se detenga completamente.
7. Al terminar un corte, asegúrese de que la guarda inferior cierre y que la cuchilla se detenga completamente antes de colocar la sierra sobre el banco de trabajo.

Protector contra sobrecargas

El protector contra sobrecargas automáticamente apaga la herramienta cuando el motor se sobrecarga. La herramienta puede sobrecargarse al hacer uso de una cuchilla desafilada, al cortar material de grosor excesivo, al cortar materiales con demasiada rapidez o al cortar metales duros, tales como acero inoxidable. Para evitar que el protector contra sobrecargas apague la herramienta, siempre haga uso de una cuchilla afilada y siga las instrucciones de corte incluidas en la sección de "Aplicaciones". No intentar cancelar o anular el protector contra sobrecargas.

Si la herramienta se apaga automáticamente:

1. Suelte el gatillo y desenchufe la herramienta.
2. Extraiga la cuchilla de la pieza donde está trabajando.
3. Deje descansar la herramienta por un par de minutos como mínimo.
4. Reajuste el protector contra sobrecargas apretando el botón.
5. Deje que la herramienta se enfríe haciéndola funcionar sin carga.
6. Reinicie el corte. Al volver a colocar la sierra en la pieza de trabajo, centre la cuchilla en la ranura o corte, y verifique que los dientes de la sierra no hagan contacto con el material. Si la cuchilla se traba, podría elevarse o producir el CONTRAGOLPE de la pieza de trabajo al activar la sierra.

APLICACIONES

Esta herramienta ha sido diseñada para cortar metales ferrosos no templados y metales no ferrosos. Consulte la sección "Accesorios" a fin de obtener una lista de las cuchillas a usar para las aplicaciones correctas de esta herramienta. Es preciso observar las precauciones a continuación para reducir el riesgo de lesiones:

- No corte materiales apilados. Corte una pieza a la vez.
- No corte acero templado.
- Corte los materiales con el borde más ancho de la zapata sobre el lado prensado del material.
- No toque con las manos desnudas la cuchilla, la pieza de trabajo, las virutas ni el contenedor de virutas inmediatamente después de efectuar el corte; podrían estar calientes y ocasionar quemaduras de la piel.

Corte de materiales delgados o corrugados

Corte de materiales con un grosor superior a 6,4 mm (1/4") (grosor máximo de 19,1 mm (3/4"))



PRECAUCIÓN

Para reducir el riesgo de daños a la herramienta o la cuchilla, cuando se corten materiales de más de 6,4 mm (1/4") de grosor no exceder la velocidad de alimentación ni el tiempo máximo de corte, de acuerdo con la siguiente tabla.

Entre cada tiempo máximo de corte dejar que la herramienta se enfríe durante 60 minutos en reposo o 6 minutos en funcionamiento sin carga.

Cortar material pesado demasiado rápidamente o durante demasiado tiempo dañará la herramienta si no se deja enfriar.

Cortar demasiado lentamente hará que la cuchilla se desgaste excesivamente.

Cuando se corten materiales de más de 6,4 mm (1/4"), se deben seguir ciertas pautas para impedir que se produzcan daños graves en la herramienta y/o la cuchilla. La combinación correcta de los siguientes factores permitirá cortar con éxito materiales gruesos:

1. **Grosor del material** (no cortar materiales de más de 19,1 mm (3/4") de grosor)
NOTA: Si el grosor del material no aparece en la siguiente tabla, redondearlo al grosor más cercano incluido en la tabla y seguir esas pautas.
2. **Longitud máxima de corte** (la longitud del material, en pulgadas, a lo largo de la cual se mueve la sierra entre periodos de enfriamiento)

3. **Velocidad de alimentación** (la velocidad a la que se mueve la sierra por el material en segundos por pulgada)
4. **Tiempo máximo de corte** (la cantidad total de tiempo que la sierra puede estar bajo carga entre periodos de enfriamiento)
5. **Período de enfriamiento** (60 minutos en reposo o 6 minutos en funcionamiento sin carga)

Grosor del material	Tiempo máximo de corte (segundos)	Longitud máxima de corte	Velocidad de alimentación (seg./cm) (seg./pulg.)	Período de enfriamiento
9,5 mm (3/8")	30 - 45	381 mm (15")	0,8 - 1,2 (2 - 3)	60 min. en reposo o 6 min. en funcionamiento sin carga
12,7 mm (1/2")	18 - 36	228,6 mm (9")	0,8 - 1,6 (2 - 4)	
15,9 mm (5/8")	18 - 30	152,4 mm (6")	1,2 - 2 (3 - 5)	
19,1 mm (3/4")	20 - 25	127 mm (5")	1,6 - 2 (4 - 5)	

Corte los materiales delgados y corrugados al menos a 25,4 mm (1") del borde de la pieza de trabajo para evitar lesiones o daños a la herramienta ocasionados por las tiras delgadas de metal que pudieran introducirse en la guarda superior.

Corte de paneles grandes

Los paneles grandes se flexionan o pandean si no se apoyan correctamente. Si intenta cortar la pieza de trabajo sin apoyarla y nivelarla debidamente, la cuchilla tenderá a atorarse, y ocasionará un CONTRAGOLPE.

Apoye los paneles grandes. Asegúrese de ajustar la profundidad de corte de manera que sólo corte la pieza de trabajo y no los apoyos.

Al efectuar cortes con anchuras mayores de 101,6 mm (4"), preñe una pieza de madera de 25,4 mm (1") a la pieza de trabajo y use el borde interior de la zapata como guía.

Corte de cavidades (Fig. 7)



ADVERTENCIA

Para reducir el riesgo de electrocución, antes de realizar cortes de cavidades verifique que en el área de trabajo no hayan tuberías o cables ocultos.

Los cortes de cavidades se realizan en el centro de la pieza de trabajo cuando no se puede efectuar el corte desde un borde. Para este tipo de corte, recomendamos el uso de una sierra alternativa Sawzall® o una sierra caladora. Sin embargo, si es necesario usar una sierra circular para realizar un corte de cavidad, TENGA SUMA PRECAUCION. Para mantener el control de la sierra durante el corte de la cavidad, mantenga ambas manos sobre la sierra (Fig. 7).

1. Comenzando por una esquina, alinee la línea guía con la línea de corte. Incline la sierra hacia adelante, fijando firmemente el frente de la zapata en la pieza de trabajo. La cuchilla debe quedar colocada justo encima de la línea de corte, pero sin hacer contacto con la misma. Eleve la guarda inferior mediante la palanca de la guarda inferior.



2. Tire del gatillo y permita que el motor alcance la velocidad máxima antes de comenzar el corte. Usando el frente de la zapata como punto de pivote, descienda gradualmente la parte posterior de la sierra en la pieza de trabajo. Suelte la palanca de la guarda inferior.
3. Cuando la zapata esté completamente apoyada sobre la pieza de trabajo, avance la sierra hacia la esquina opuesta. Suelte el gatillo y deje que la cuchilla se detenga completamente antes de extraerla de la pieza de trabajo. Repita los pasos anteriores para cada lado de la abertura. Use una sierra alternativa Sawzall®, una sierra caladora o un serrucho pequeño para terminar las esquinas que no estén cortadas completamente.

Resolución de problemas

Si la cuchilla no sigue una línea recta:

- Los dientes están desafilados. Esto puede ocurrir al golpear contra un objeto duro, desafilando los dientes en un lado. La cuchilla tiende a cortar hacia el lado con los dientes más afilados.
- La zapata está desalineada o doblada
- La cuchilla está doblada

Si la cuchilla se atora, produce humo o se vuelve azul por la fricción:

- La cuchilla está desafilada
- La cuchilla está al revés
- La cuchilla está doblada
- La cuchilla está sucia
- La pieza de trabajo no está apoyada debidamente
- Se está usando una cuchilla errónea

MANTENIMIENTO



ADVERTENCIA

Para reducir el riesgo de lesiones, desconecte siempre la herramienta antes de darle cualquier mantenimiento. Nunca desarme la herramienta ni trate de hacer modificaciones en el sistema eléctrico de la misma. Acuda siempre a un Centro de Servicio **MILWAUKEE** para TODAS las reparaciones.

Mantenimiento de las herramientas

Adopte un programa regular de mantenimiento y mantenga su herramienta en buenas condiciones. Antes de usarla, examine las condiciones generales de la misma. Inspeccione guardas, interruptores, el cable de la herramienta y el cable de extensión. Busque tornillos sueltos o flojos, defectos de alineación y dobleces en partes móviles, así como montajes inadecuados, partes rotas y cualquier otra condición que pueda afectar una operación segura. Si detecta ruidos o vibraciones anormales, apague la herramienta de inmediato y corrija el problema antes de volver a usarla. No utilice una herramienta dañada. Colóquela una etiqueta que diga "NO DEBE USARSE" hasta que sea reparada (vea "Reparaciones").

Bajo condiciones normales, no se requiere lubricación hasta que haya que cambiar los carbones. Después de 6 meses a un año, dependiendo del uso dado, envíe su herramienta al Centro de Servicio **MILWAUKEE** más cercano para que le hagan:

- Lubricación
- Inspección y cambio de carbones
- Inspección mecánica y limpieza (engranes, flechas, baleros, carcarza, etc.)
- Inspección eléctrica (interruptor, cable, armadura, etc.)
- Probarla para asegurar una operación mecánica y eléctrica adecuada.



ADVERTENCIA

Para reducir el riesgo de lesiones, descarga eléctrica o daño a la herramienta, nunca la sumerja en líquidos ni permita que estos fluyan dentro de la misma.

Limpieza

Limpie el polvo y suciedad de las ventilas. Mantenga las empuñaduras de la herramienta limpias, secas y libres de aceite y grasa. Use sólo jabón neutro y un trapo húmedo para limpiar su herramienta ya que algunas sustancias y disolventes limpiadores pueden ocasionar daños a materiales plásticos y partes aislantes. Algunos de estos incluyen: gasolina, trementina, diluyente para barniz, diluyente para pintura, disolventes limpiadores clorados, amoníaco, y detergentes caseros que contengan amoníaco.

Reparaciones

Si su instrumento se daña, vuelva el instrumento entero al más cercano centro de reparaciones.

ACCESORIOS



ADVERTENCIA

Para reducir el riesgo de lesiones, desconecte siempre su herramienta antes de colocar o retirar un accesorio. Use solo accesorios recomendados específicamente. Otros pueden ser peligrosos.

Para una lista completa de accesorios, refiérase a su catálogo **MILWAUKEE** Electric Tool o visite nuestro sitio en Internet: www.milwaukeetool.com. Para obtener un catálogo, contacte su distribuidor local o uno de los centros.

Cuchillas para cortar metal de 203 mm (8")

Cuchilla de 42 dientes

Para cortar piezas de trabajo en metal de grosor mayor de 2,4 mm (3/32").

Cat. No. 48-40-4515

Cuchilla de 50 dientes

Para cortar piezas de trabajo en metal de grosor menor de 2,4 mm (3/32").

Cat. No. 48-40-4520

Llave de tuercas para la cuchilla (Allen)

Cat. No. 49-96-0345

Guía de corte

Cat. No. 49-22-4146

GARANTÍA LIMITADA DE CINCO AÑOS

Todas las herramientas **MILWAUKEE** se prueban antes de abandonar la fábrica y se garantiza que no presentan defectos ni en el material ni de mano de obra. En el plazo de cinco (5) años a partir de la fecha de compra **MILWAUKEE** reparará o reemplazará (a discreción de **MILWAUKEE**), sin cargo alguno, cualquier herramienta (cargadores de baterías inclusive) cuyo examen determine que presenta defectos de material o de mano de obra. Devuelva la herramienta, con gastos de envío prepagados y asegurada, y una copia de la factura de compra, u otro tipo de comprobante de compra, a una sucursal de reparaciones/ventas de la fábrica **MILWAUKEE** o a un centro de reparaciones autorizado por **MILWAUKEE**. Esta garantía no cubre los daños ocasionados por reparaciones o intentos de reparación por parte de personal no autorizado por **MILWAUKEE**, abuso, desgaste y deterioro normal, falta de mantenimiento o accidentes.

El período de garantía para las baterías V28 es de dos (2) años a partir de la fecha de compra. El período de garantía para las baterías Ni-Cd, linternas, radios y polipastos es de un (1) año a partir de la fecha de compra.

LOS DERECHOS A REPARACIÓN Y REEMPLAZO DESCRITOS EN EL PRESENTE DOCUMENTO SON EXCLUSIVOS. **MILWAUKEE** NO SERÁ EN NINGÚN CASO RESPONSABLE DE DAÑOS INCIDENTALES, ESPECIALES O CONSECUENTES, INCLUYENDO LA PÉRDIDA DE GANANCIAS.

ESTA GARANTÍA ES EXCLUSIVA Y SUSTITUYE A TODA OTRA GARANTÍA, O CONDICIONES, ESCRITAS U ORALES, EXPRESAS O IMPLÍCITAS DE COMERCIALIZACIÓN O IDONEIDAD PARA UN USO O FIN DETERMINADO.

Esta garantía le proporciona derechos legales específicos. Es posible que usted tenga otros derechos que varían de estado a estado y de provincia a provincia. En aquellos estados que no permiten la exclusión de garantías implícitas o la limitación de daños incidentales o consecuentes, las limitaciones anteriores pueden que no apliquen. Esta garantía es válida solamente en los Estados Unidos, Canadá y México.

UNITED STATES

MILWAUKEE Service

MILWAUKEE prides itself in producing a premium quality product that is **NOTHING BUT HEAVY DUTY®**.

Your satisfaction with our products is very important to us!

If you encounter any problems with the operation of this tool, or you would like to locate the *factory Service/Sales Support Branch* or *authorized service station* nearest you, please call...

1-800-SAWDUST

(1.800.729.3878)

NATIONWIDE TOLL FREE

Monday-Friday • 8:00 AM - 4:30 PM • Central Time
or visit our website at

www.milwaukeetool.com

For service information, use the 'Service Center Search' icon found in the 'Parts & Service' section.

Additionally, we have a nationwide network of *authorized* Distributors ready to assist you with your tool and accessory needs. Check your "Yellow Pages" phone directory under "Tools-Electric" for the names & addresses of those nearest you or see the 'Where To Buy' section of our website.

Corporate After Sales Service - Technical Support
Brookfield, Wisconsin USA

•Technical Questions •Service/Repair Questions •Warranty

1-800-SAWDUST

(1.800.729.3878)

fax:1.800.638.9582

email: metproductsupport@milwaukeetool.com

Monday-Friday • 8:00 AM - 4:30 PM • Central Time

CANADA

Service MILWAUKEE

MILWAUKEE est fier de proposer un produit de première qualité **NOTHING BUT HEAVY DUTY®**. Votre satisfaction est ce qui compte le plus!

En cas de problèmes d'utilisation de l'outil ou pour localiser le centre de service/ventes ou le *centre d'entretien* le plus proche, appelez le...

416.439.4181

fax: 416.439.6210

Milwaukee Electric Tool (Canada) Ltd

755 Progress Avenue

Scarborough, Ontario M1H 2W7

Notre réseau national de distributeurs *agrés* se tient à votre disposition pour fournir l'aide technique, l'outillage et les accessoires nécessaires. Composez le 416.439.4181 pour obtenir les noms et adresses des revendeurs les plus proches ou bien consultez la section «Où acheter» sur notre site web à l'adresse

www.milwaukeetool.com

MEXICO

Soporte de Servicio MILWAUKEE

Milwaukee Electric Tool, S.A. de C.V.

Blvd. Abraham Lincoln no. 13

Colonia Los Reyes Zona Industrial

Tlalnepantla, Edo. México C.P. 54073

Tel. (55) 5565-1414 Fax: (55) 5565-6874

Adicionalmente, tenemos una red nacional de distribuidores autorizados listos para ayudarle con su herramienta y sus accesorios. Por favor, llame al (55) 5565-1414 para obtener los nombres y direcciones de los más cercanos a usted, o consulte la sección 'Where to buy' (Dónde comprar) de nuestro sitio web en

www.milwaukeetool.com

MILWAUKEE ELECTRIC TOOL CORPORATION
13135 West Lisbon Road • Brookfield, Wisconsin, U.S.A. 53005