

# ELKAY®

## SPECIFICATIONS

### No Lead SwirlFlo® Drinking Fountain Wall Mount – Fully Exposed Barrier-Free Access Model EDFPB(V)114C and EDFPBM(V)114K

#### PRODUCT SPECIFICATION

Wall-mounted drinking fountain constructed of #18 gauge, 300 series stainless steel polished to a lustrous satin finish with high shined outer edge. #16 gauge, type 304 tubular stainless steel support arm incorporates a recess to be integrated with basin.

Contoured basin minimizes splashing and has exclusive Flexi-Guard® Safety Bubbler to prevent accidental mouth injuries. Keyed in location to prevent rotation. Fully functional, vandal-resistant front push button is easy to operate. Flow regulator provides constant stream from 20 to 105 psi water pressure.

Complies with the requirements of A.D.A. (American's with Disabilities Act) when properly installed.

#### NO LEAD DESIGN

**THIS DRINKING FOUNTAIN COMPLIES WITH THE LEAD-FREE REQUIREMENTS OF THE U.S. SAFE DRINKING WATER ACT AND ALL STATE LAWS.**

Elkay Drinking Fountains are manufactured with a waterway system utilizing copper components and lead-free material.

This fountain is certified by WQA to lead-free compliance including **NSF/ANSI 61 and 372.**



MODEL EDFPB114C

#### CONSTRUCTION

**EDFPB114C** furnished complete with Flexi-Guard® Safety bubbler and fully functional vandal-resistant front push button, flow regulator (20-105 psi). No trap furnished. MPW101 or ML100 can be ordered separately.

**EDFPBV114C** furnished complete with one-piece, heavy-duty construction, vandal-resistant bubbler and fully functional vandal-resistant front push button, flow regulator (20-105 psi). No trap furnished. MPW101 or ML100 can be ordered separately.

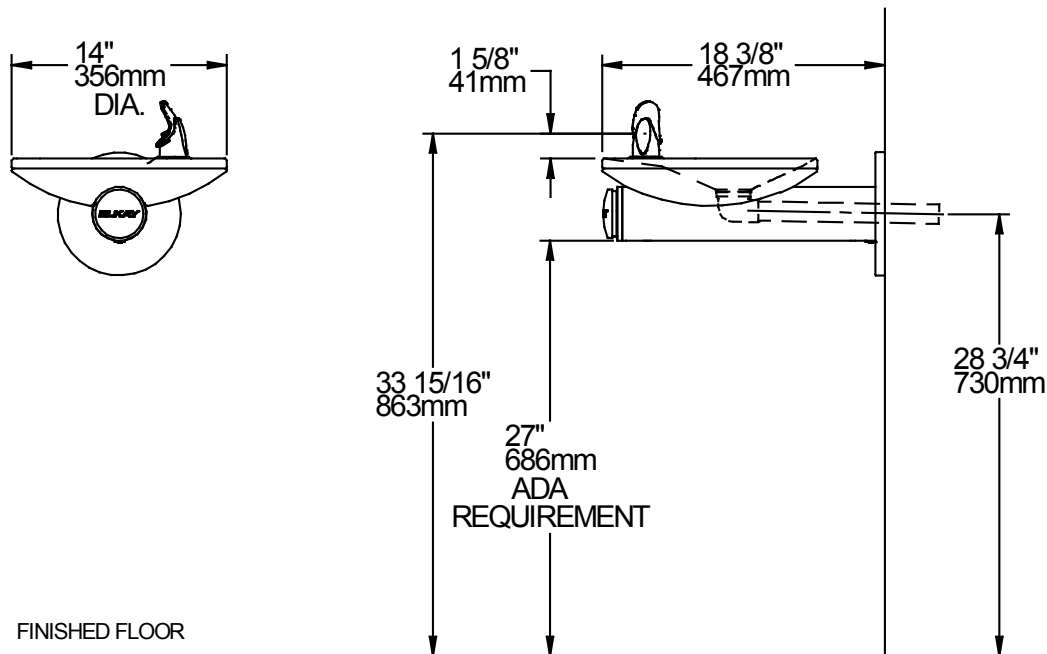
**EDFPBM114K** furnished complete with Flexi-Guard® Safety Bubbler and fully functional vandal-resistant front push button, flow regulator (20-105 psi). No trap furnished. (MPW101 In-wall mounting plate carrier included).

**EDFPBMV114K** furnished complete with one-piece, heavy-duty construction, vandal-resistant bubbler and fully functional vandal-resistant front push button, flow regulator (20-105 psi). No trap furnished. (MPW101 In-wall mounting plate carrier included).

#### ACCESSORIES

**MPW101** In-wall mounting plate carrier accessory.

**ML100** Optional in-wall support legs for use with MPW101.



C USA

*This specification describes an Elkay product with design, quality and functional benefits to the user. When making a comparison of other producer's offerings, be certain these features are not overlooked.*

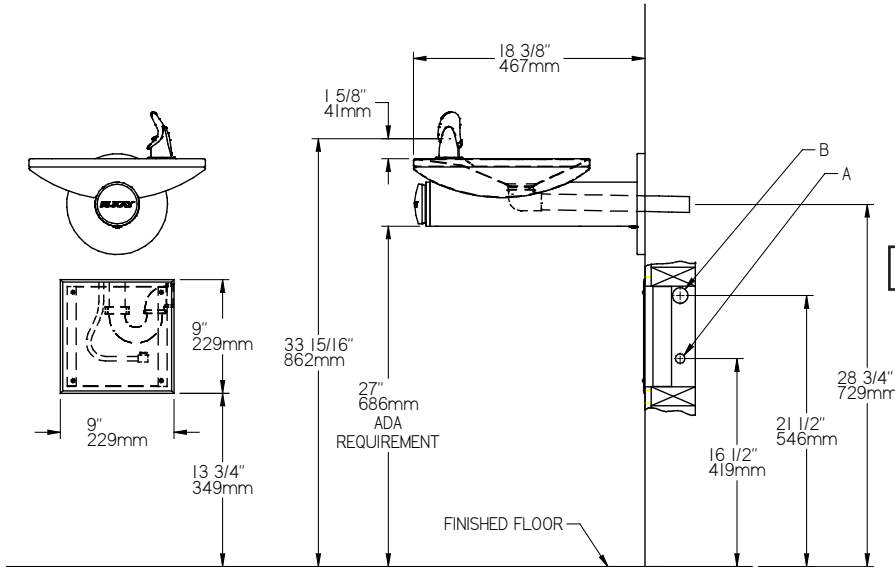
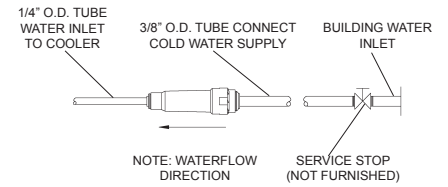
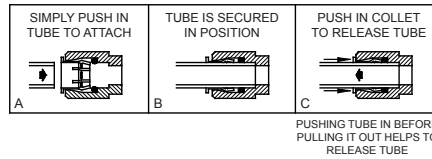
**No Lead SwirlFlo® Drinking Fountain**  
**Wall Mount – Fully Exposed**  
**Barrier-Free Access**  
**Model EDFPB(V)114C and EDFPB(V)114K**

**ELKAY®**  
**ROUGH-IN DIMENSIONS**

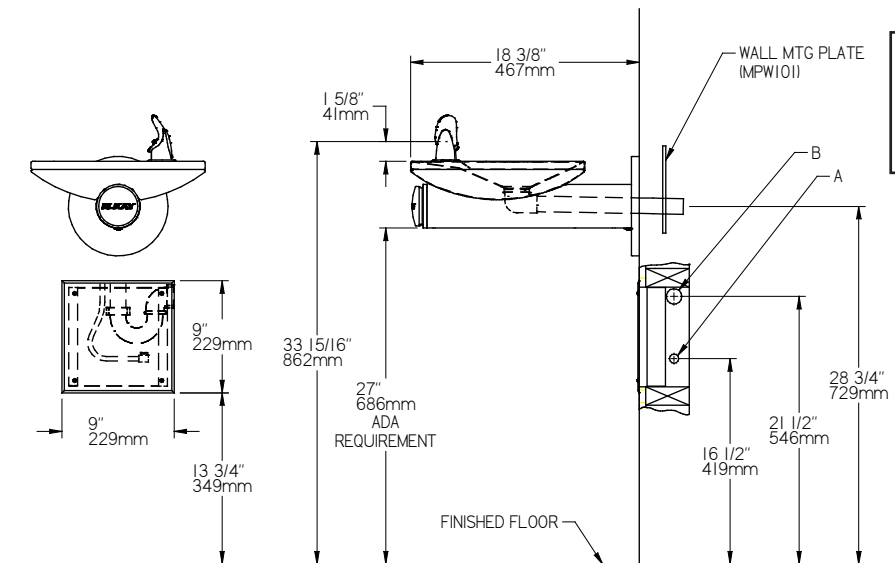
**INSTALLER NOTE**

THIS DRINKING FOUNTAIN IS FURNISHED WITH A BUBBLER AND VALVE INCLUDING ALL CONNECTING FITTINGS WHICH ARE MANUFACTURED OF COMPLETELY LEAD FREE MATERIAL. SHUT OFF VALVE (NOT FURNISHED) TO ACCEPT 3/8" O.D. UNPLATED COPPER TUBE.

**OPERATION OF QUICK CONNECT FITTINGS**



**VIEW WITHOUT IN-WALL MOUNTING PLATE**



**NOTE**  
**WALL PLATE MUST BE SUPPORTED SECURELY. ADD FIXTURE SUPPORT CARRIER IF WALL WILL NOT PROVIDE ADEQUATE SUPPORT. (WALL PLATE MAY DIFFER FROM SHOWN.)**

Job Name: \_\_\_\_\_  
 Model: \_\_\_\_\_ Qty. \_\_\_\_\_  
 Contact: \_\_\_\_\_  
 Approval Signature: \_\_\_\_\_  
 Notes: \_\_\_\_\_

**LEGEND:**

- A = Recommended water supply location 3/8" O.D. unplated copper tube connect
- B = Recommended location for waste outlet 1-1/4" O.D. drain