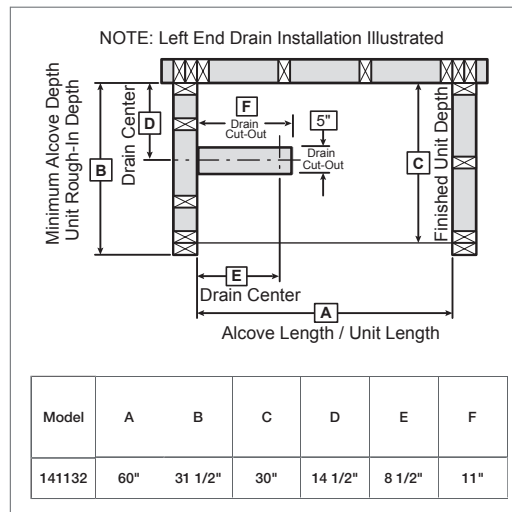


TECHNICAL SPECIFICATIONS

TS-3060

MODEL NUMBER 141132

DIMENSIONS: 60" x 30" x 73 1/4" Gelcoat



STANDARD FEATURES

- One-piece gelcoated fiberglass tub-shower
- Built-in back wall shelves with integrated soap dish
- Right or left-hand drain
- Textured floor
- Standard clear acrylic bar with optional metallic finishes
- 14 1/4 inch deep sump
- Bottom bathing well : 48 1/2 inch L x 19 3/4 inch W
- Optional unique features:
Above-the-floor rough
- Reinforced walls

UNIQUE FEATURES

- Above-the-Floor Rough (AFR)

OPTIONS

- Brushed Nickel grab bar (replacing acrylic bar)
- Chrome grab bar (replacing acrylic bar)
- All walls reinforced
- Wall reinforcement (one wall)

SYSTEMS

- None

DOOR SELECTION

Combine with AKER's complete shower door offering visit www.akerbymaax.com

CERTIFICATIONS

AKER products adhere to one or more of the following certifications:



Project :

Contractor :

AKER Representative : Tel :

Date :

TECHNICAL SPECIFICATIONS

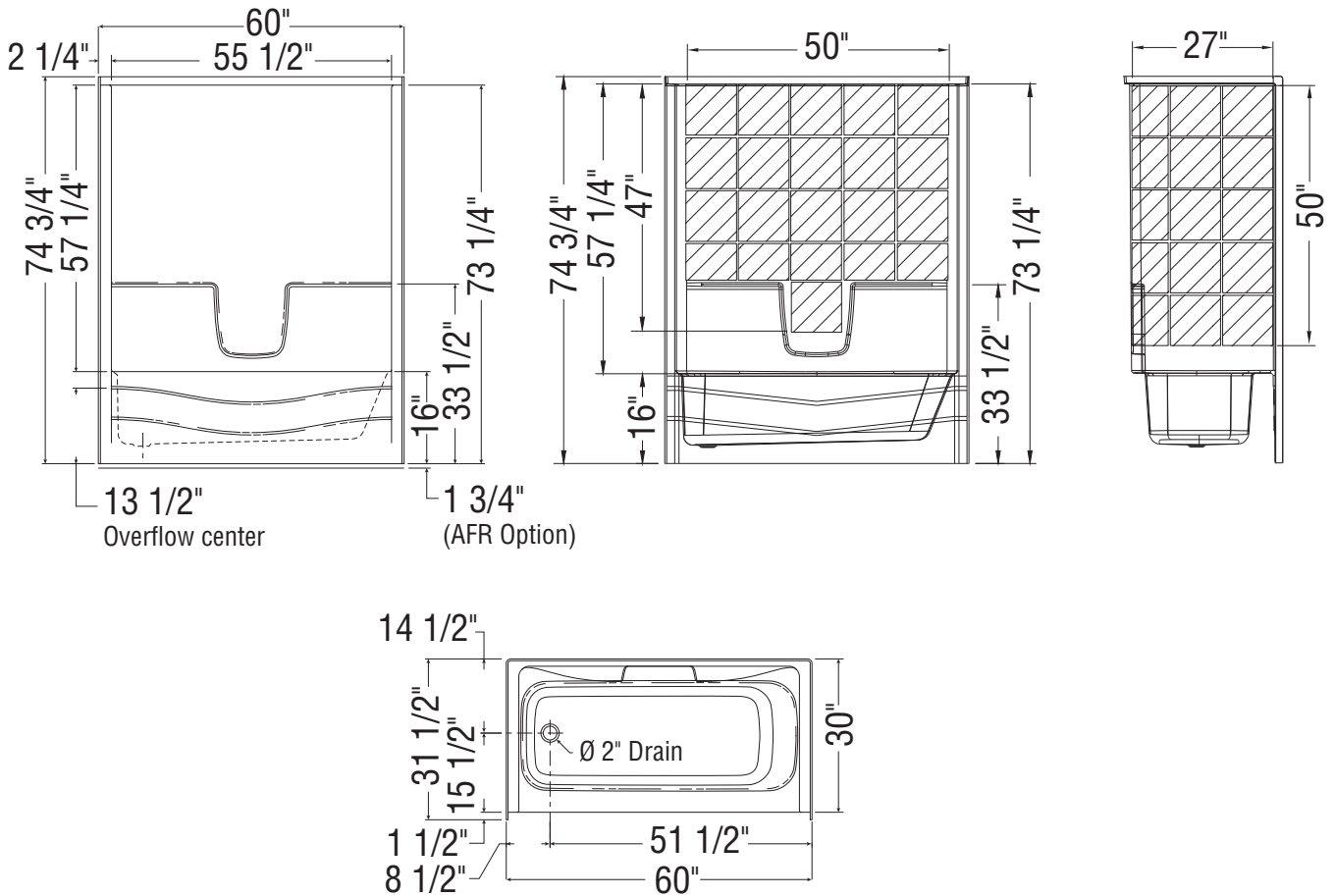


TS-3060

MODEL NUMBER 141132

TECHNICAL DRAWINGS

With reinforcement



All dimensions are approximate. Structure measurements must be verified against the unit to ensure proper fit.