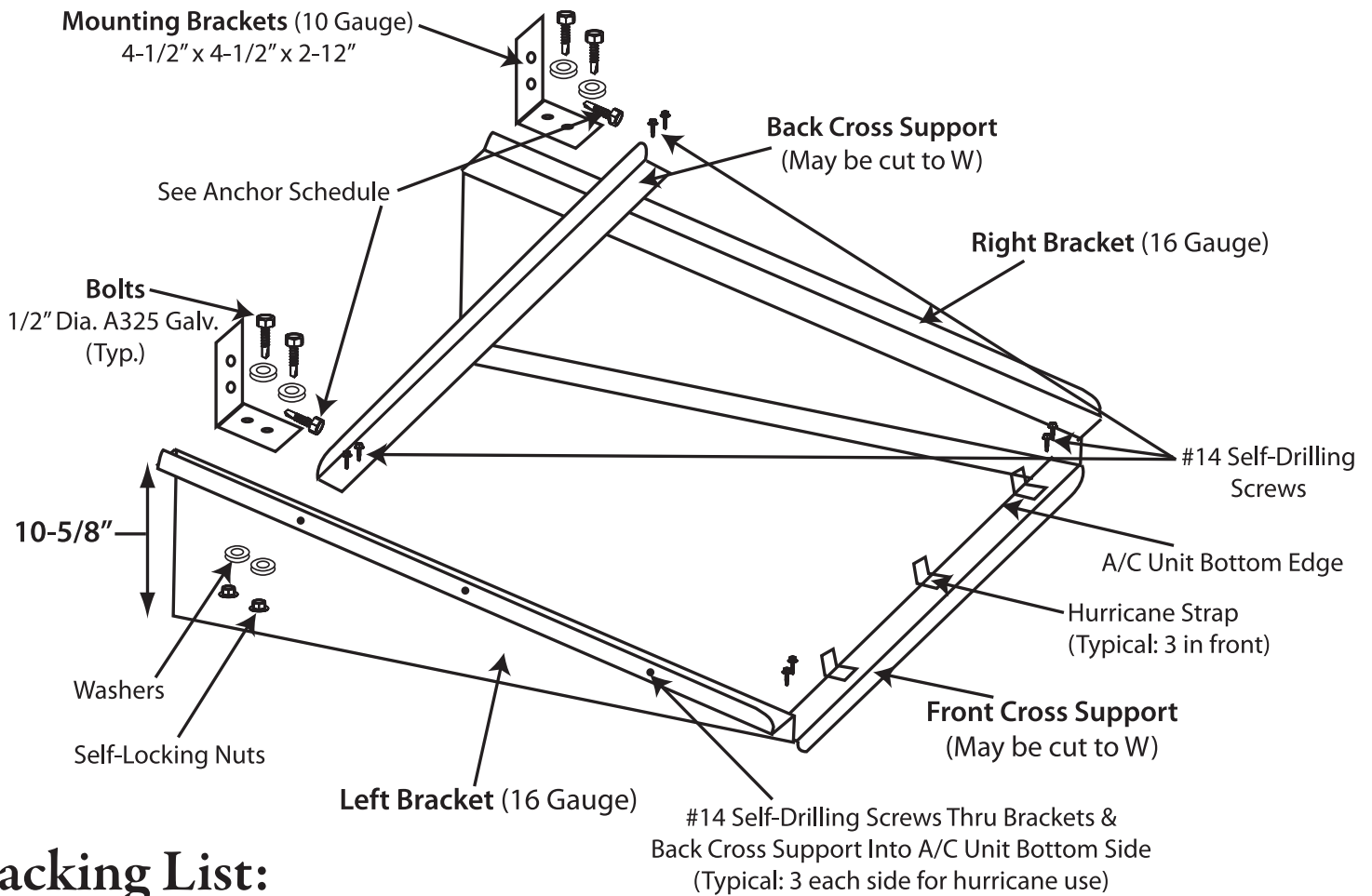
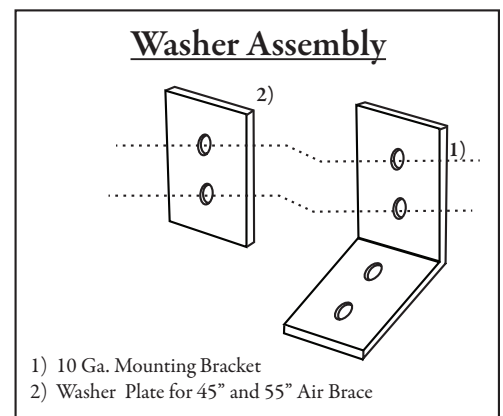


HURRICANE AIR BRACE™



Packing List:

- Left & Right Bracket
- Top & Front Cross Support
- (2) 10 Gauge Mounting Brackets
- (washer plate for 45" & 55" Air Brace only)
- (1) Hardware Package Containing: (4) Nuts & Bolts, (8) Washers, (26) Self-Tapping Screws (tec screws)
- (6) Straps 1" x 6" x 22 Gauge Galvanized G90



Engineer:

Keith R. Bradbury, P.E.
P.E. No. 43228
8731 Baywood Pk. Dr.
Seminole, FL 33777
727-319-3947
krbradbury@earthlink.net
Copyright 2009 Keith R. Bradbury, P.E.

Ductmate Industries, Inc.

210 Fifth Street
Charleroi, PA 15022

TITLE

Hurricane Air Brace Installation Instructions - Coastal
Revised for 2009 Supplement to 2007 FBC

HURRICANE AIR BRACE™

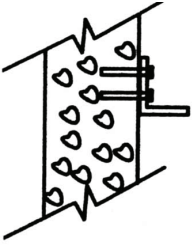
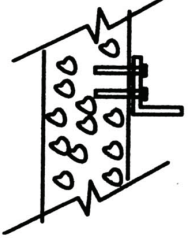

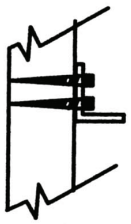
Assembly Directions

1. Lay out all parts as shown in the diagram (on reverse page). Measure the width of your A/C unit to determine the length of the top cross support.
2. If necessary, trim top cross support to desired width. Trim the front cross support to 4" shorter than top cross support.
3. Attach the top cross support by using (1) self-tapping screw on each side. Attach the front cross support (in the bottom ledge) by using (1) self-tapping screw on each side. Measure for squareness, square the Air Brace.
4. Secure cross supports with a second screw, diagonally from each other, in each side.
5. Attach the 10 gauge mount brackets with (2) sets of bolts, washers, and self-locking nuts on each bracket side. (Use washer plate for 45" and 55" Air Brace only.)
6. Mount brackets to wall material per the Anchor Schedule. (No hardware is supplied for mounting the bracket to any wall material.)
7. Add vibration pads as specified by the A/C manufacturer.

Note: The enclosed strapping is to be used in areas requiring hurricane restraints.

8. If strapping is needed for inland or coastal areas, follow these additional instructions:
9. Attach bottom side of A/C unit to 1" x 22 Ga. galvanized hurricane straps (front cross support) with 3/4" #14 galv. self-tapping screws. Attach other end of hurricane straps to front cross support with the same self-tapping screws (2 screws per strap, 6 straps total). Hurricane straps should have no slack. Maximum spacing of hurricane straps and self-tapping screws is 12 inches o.c.
10. Attach other sides of A/C unit to top cross support using 2 straps with self-tapping (tec) screws, if possible.

Anchor Schedule

Concrete	Concrete Block / Brick	Steel Stud	Wood Stud
			
Fasteners: (2) 1/2" x 3 3/4" Galv. Stl. Hilti Kwik Bolt or equivalent 2 3/4" Min Embed	Fasteners: (2) 1/2" x 3 3/4" Galv. Stl. Hilti Kwik Bolt or equivalent 2 3/4" Min Embed (note: ribs only every 4" in cmu-use 5/8" x 10" Galv. Hex bolt where no rib)	Fasteners: (2) 5/16" x 1 1/4" TEC screw with self-locking washer.	Fasteners: (2) 1/2" x 3 3/4" Hex head Lag screw with S.L. washer. 2 3/4" Min. Embed (may require extra 2x4 for behind 1 support angle)