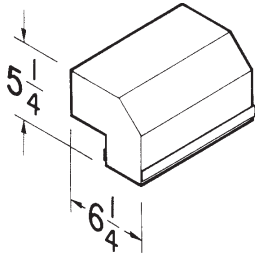


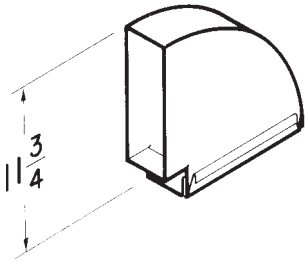


**ELBOWS - CONT'D.**



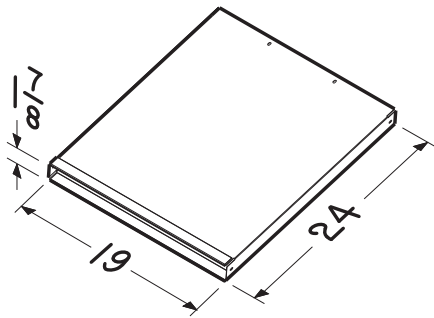
**Model 428**

- 3 1/4" x 10" – Vertical
- 30 GA. Galvanized steel construction



**Model 429**

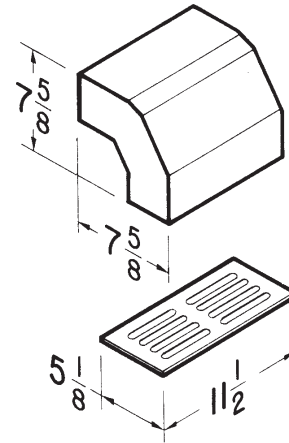
- 3 1/4" x 10" – Horizontal
- 30 GA. Galvanized steel construction



**Model AEDD2  
Model AXKD2**

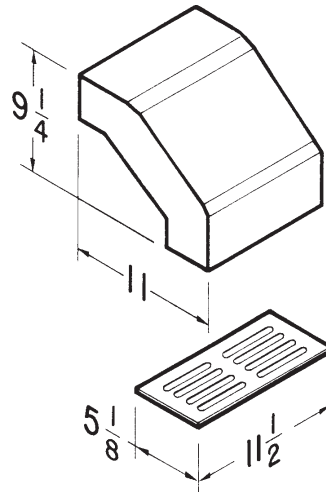
- 26 GA. Galvanized steel construction
- Includes duct slips

**EAVE ELBOWS**



**Model 430**

- 3 1/4" x 10" short eave elbow
- Includes backdraft damper and grille
- Black, electrically-bonded epoxy finish
- 20 ga. steel



**Model 431**

- 3 1/4" x 10" long eave elbow
- Includes backdraft damper and grille
- Black, electrically-bonded epoxy finish
- 20 ga. steel