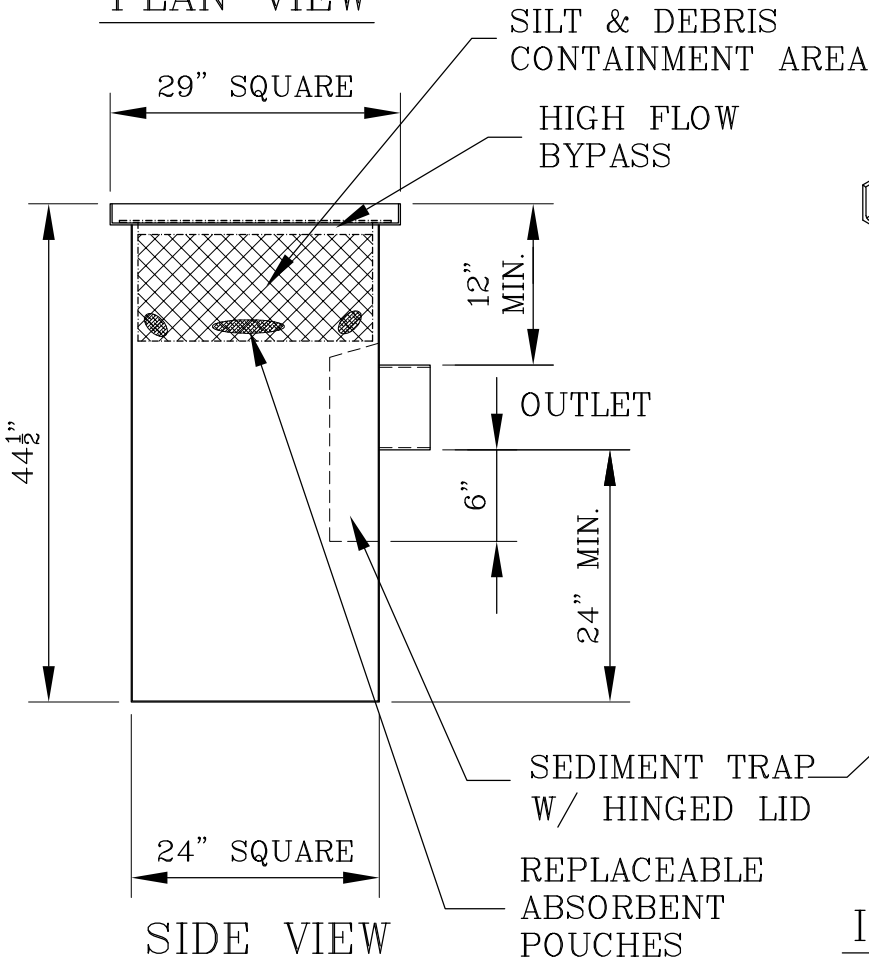


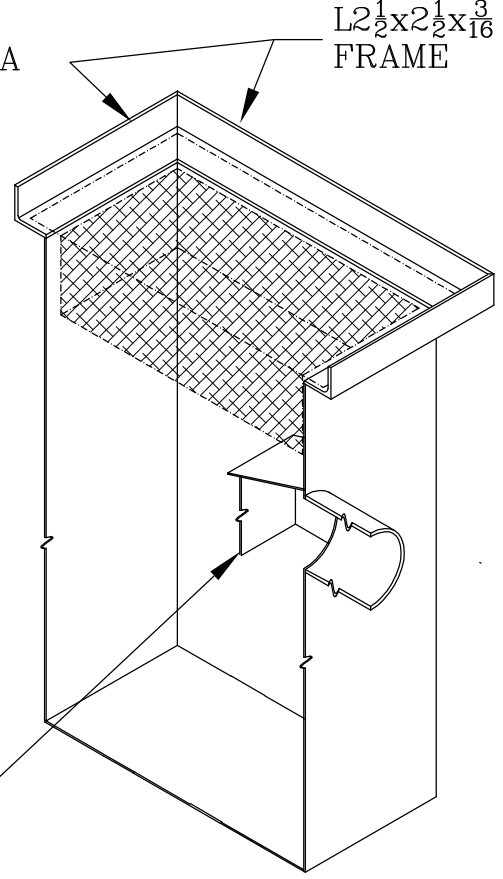
PLAN VIEW

NOTES:

BOX FABRICATED FROM
10 GA. MATERIAL



SIDE VIEW



ISOMETRIC SECTION

SEDIMENT & HYDROCARBONS FILTRATION SYSTEM
STATE APPROVED - ASPHALT DIPPED



Gibson Steel Basins
SINCE 1972

24" SQUARE - 4"Ø OR 6"Ø OR 8"Ø OUTLET

STORM WATER CATCH BASIN

PROJ. MAN. DOUG P.

DWN. PAUL G.

SCALE NONE

DATE: JAN. 23, 06

MODEL: MPCBF10-42HB-4&6&8

DWG #

F1