



# Instruction Sheet

## ZVC403 Zone Valve Control

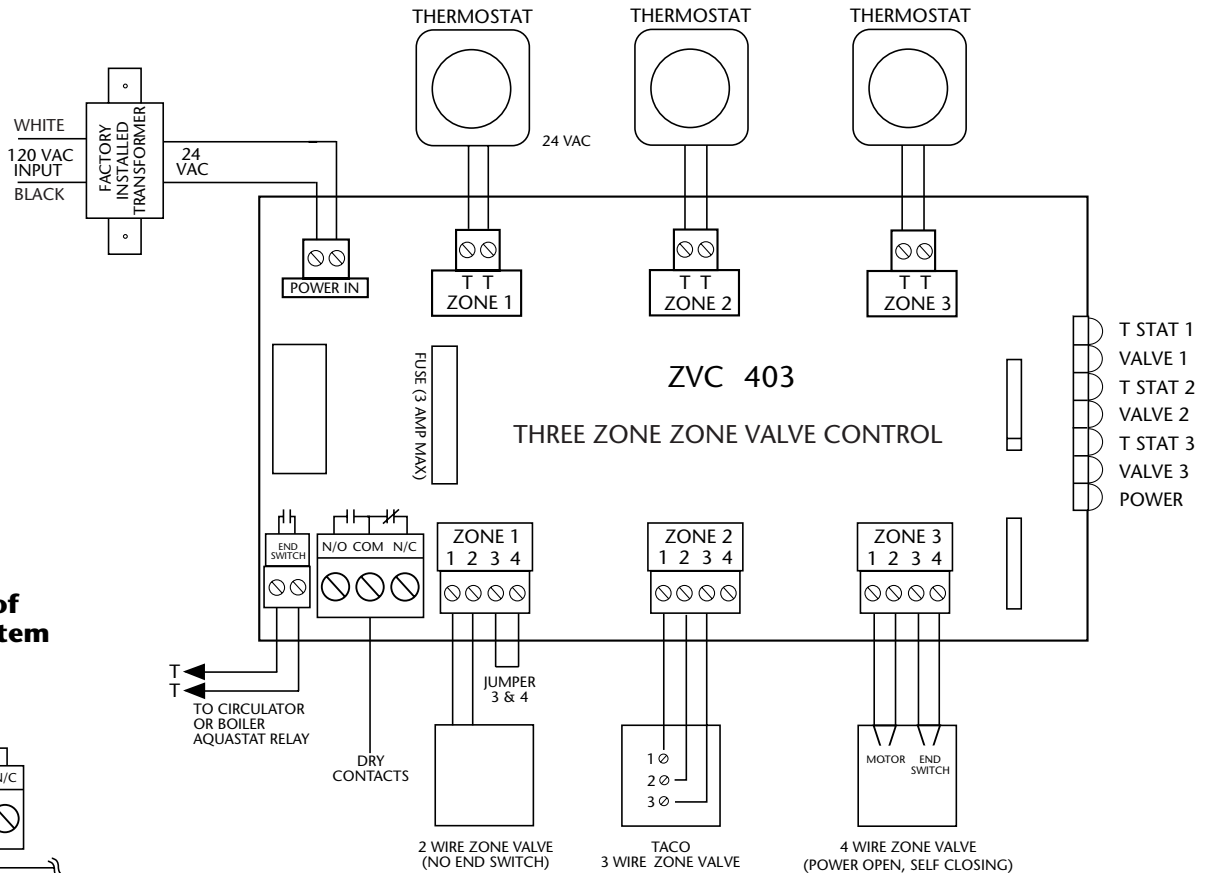
102-089

SUPERSEDES: 102-089 December 1, 1999

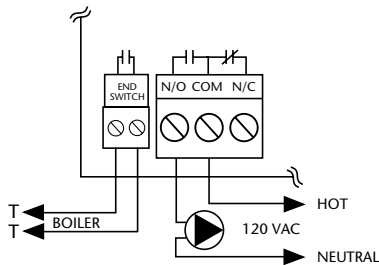
EFFECTIVE: October 23, 2000

Plant ID# 9300-837

### Wiring Diagram



### Installation of Optional System Circulator



**Operation/External Diagnostics:** When any thermostat calls for heat, the appropriate zone valve is energized and the yellow light goes on. When the zone valve is fully open, the red light goes on and energizes the end switch relay. The green light should always be on, indicating that power is connected.

**The Taco Connection:** Combine the reliability of the Taco Zone Valves, Priority Zoning Circulators, Thermostats, and the "00" family of circulators with the advanced features of the Taco Zone Controls to achieve total system integration. No matter the application, Taco now provides the products to maximize system performance while simplifying both installation and service.

**Warning:** Wiring connections must be made in accordance with all applicable electrical codes. Use copper wire only. Failure to follow this instruction can result in personal injury or death and/or property damage. 10-18 gauge wire recommended for 120 VAC connections with 9 in.lbs. max torque, 12-22 gauge wire for thermostat connections with 9 in.lbs. max torque, and 12-22 gauge wire for 24 VAC source with 5 in.lbs. max torque.

### Specifications:

PRODUCT NUMBER	NUMBER OF ZONES	TRANSFORMER VOLTAGE	MAX OUTPUT AT 24 VAC	DIMENSIONS OF ENCLOSURE		
				WIDTH	HEIGHT	DEPTH
ZVC403	3 Zone	120 VAC Input	40 VA	10 <sup>1</sup> / <sub>4</sub> "	6 <sup>3</sup> / <sub>4</sub> "	2 <sup>3</sup> / <sub>4</sub> "

All Zone Valve Controls are relay type DPDT and have a single phase motor rating per zone of 1/8 hp (5A) @ 120 VAC.

### Features:

- External Indicator Lights
- Simplified Wiring
- Works with 2, 3, or 4-Wire Zone Valves
- Compact Design
- Fuse Protected
- 100% Factory Tested
- Isolated End Switch
- Extra Set of Dry Contacts
- Contractor Friendly PC Board Layout
- Universal Thermostat Compatibility
- UL Approved
- Sturdy Screw Connections
- Extended 3 Year Warranty
- Made in the USA

## Do it Once. Do it Right.

**TACO, INC.**, 1160 Cranston Street, Cranston, RI 02920 Telephone: (401) 942-8000 FAX: (401) 942-2360.  
**TACO (Canada), Ltd.**, 6180 Ordan Drive, Mississauga, Ontario L5T 2B3. Telephone: 905/564-9422. FAX: 905/564-9436.

Visit our web site at: <http://www.taco-hvac.com>

Printed in USA  
 Copyright 2000  
 TACO, Inc.