

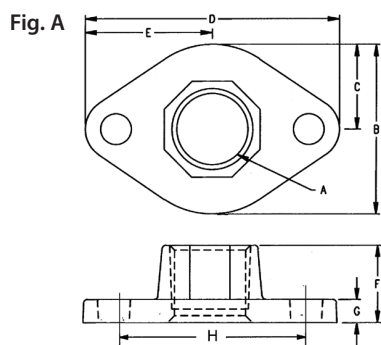
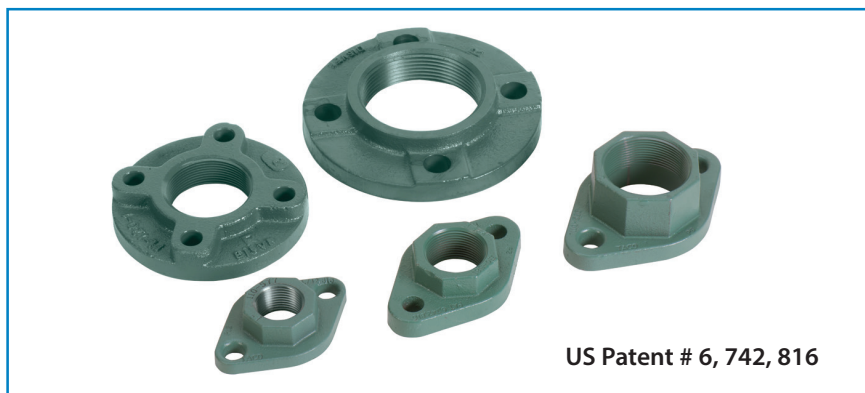
Job: \_\_\_\_\_ Engineer: \_\_\_\_\_ Contractor: \_\_\_\_\_ Rep: \_\_\_\_\_

ITEM NO.	MODEL NO.	

### Cast Iron *freedom* FLANGE®

At last, freedom from scraped knuckles and jury-rigged tools. Taco's flanges give you lots of ways to make quick work of your installation:

- Fits 00®, 110 Series, 2400 Series and all small 00e™ ECM high-efficiency circulators
- Easy-On, Easy-Off with a common adjustable wrench
- Nuts & Bolts included
- Cast Iron flanges available in sizes: 3/4", 1", 1-1/4", 1-1/2", 2", 2-1/2" and 3"



### Cast Iron *freedom* FLANGE®

Fits all 00® models (except 0012), 110-113, 2400-10/20/45/50, HEC-2, VT2218, VR1816, 007e and VR3452

Figure	Product#	Size A	B	C	D	E	F	G	H
A	110-251F	3/4" NPT	2-3/4"	1-3/8"	4-1/8"	2-1/16"	1"	3/8"	3-1/8"
A	110-252F	1" NPT	2-3/4"	1-3/8"	4-1/8"	2-1/16"	1"	3/8"	3-1/8"
A	110-253F	1-1/4" NPT	2-3/4"	1-3/8"	4-1/8"	2-1/16"	1"	3/8"	3-1/8"
A	110-254F	1-1/2" NPT	2-3/4"	1-3/8"	4-1/8"	2-1/16"	1"	3/8"	3-1/8"

Fits 0012-F4 and 2400-30/40

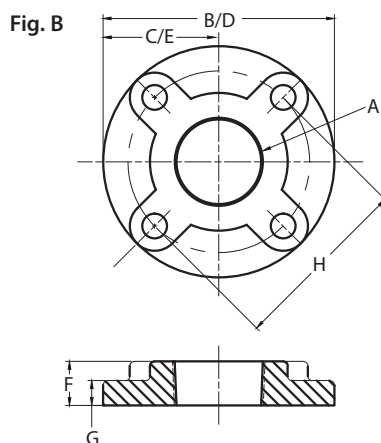
Figure	Product#	Size A	B	C	D	E	F	G	H
A	194-1540F	1-1/4" NPT	2-15/16"	1-15/32"	4-3/4"	2-3/8"	1-3/16"	9/16"	3-7/16"
A	194-1542F	1-1/2" NPT	2-15/16"	1-15/32"	4-3/4"	2-3/8"	1-3/16"	9/16"	3-7/16"

1-1/2" Flange set included in each 0012-F4 box.

Fits 0012-F4-1 (2"), 2400-50/2

Figure	Product#	Size A	B	C	D	E	F	G	H
A	194-2124F	2" NPT	3-5/8"	1-13/16"	5-9/16"	2-25/32"	1-3/4"	9/16"	4-1/8"

2" Flange set included in each 0012-F4-1 box.



Fits 2400-60, 2400-65 and 2400-70

Figure	Product#	Size A	B	C	D	E	F	G	H
B	185-08C	2" NPT	5-1/4"	2-5/8"	5-1/4"	2-5/8"	1"	9/16"	4-1/8"

Fits 2400-70/3

Figure	Product#	Size A	B	C	D	E	F	G	H
B	185-112C	2-1/2" NPT	6-5/8"	3-5/16"	6-5/8"	3-5/16"	1-1/8"	11/16"	5-1/4"
B	185-113C	3" NPT	6-5/8"	3-5/16"	6-5/8"	3-5/16"	1-1/8"	11/16"	5-1/4"

All dimensions are nominal.