

Pipe Clamps

**Fig. 22 - Hanger for CPVC Plastic Pipe
Single Fastener Strap (Cooper B-Line B3181)**



Size Range: 3/4" (20mm) thru 2" (50mm) CPVC pipe

Material: Pre-Galvanized Steel

Function: Intended to perform as a hanger to support CPVC piping used in automatic fire sprinkler systems. The product acts as a hanger when tab is upward and the fastener screw is in the horizontal position. Fig. 22 can be installed on the top of a beam, but in this situation acts as a guide to the piping which is supported by the beam itself. It is not intended to support CPVC pipe from under a flat horizontal surface, such as a ceiling.

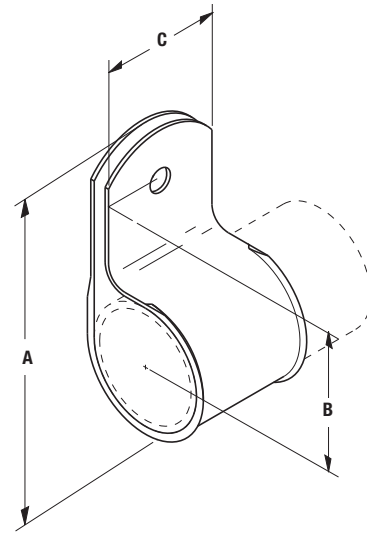
Approvals: Underwriters Laboratories Listed in the USA (UL) and Canada (cUL) to support fire sprinkler piping. May be installed in wood using fasteners supplied with product, or into minimum 20 gauge (0.9mm) steel using (1) 1/4" x 1" tek type screw. Meets and exceeds the requirements of NFPA 13, 13R and 13D.

Features: Fig. 22 incorporates features which protect the pipe and ease installation. The flared edge design protects CPVC pipe from any rough surface. It is easily attached to the building structure using the special UL Listed hex head self threading screw* furnished with the product. It is recommended that rechargeable electric drills fitted with a hex socket attachment to be used as installation tools. No impact tools (such as a hammer) are allowed. Damage has been known to result from installations using impact type tools. No pre-drilling of a pilot hole in wood is required.

Finish: Pre-Galvanized

Order By: Part number and CPVC pipe size.

* Hardened hex head self threading screw is furnished with the product and is the minimum fastener size acceptable.



Part No.	CPVC Pipe Size		A		B		C		Max. Hanger Spacing		Fastener Hex Head Size		Approx. Wt./100	
	in.	(mm)	in.	(mm)	in.	(mm)	in.	(mm)	Ft.	(m)	in.	(mm)	Lbs.	(kg)
22-3/4	3/4"	(20)	27/16"	(61.9)	15/16"	(33.3)	13/16"	(30.2)	5 1/2	(1.67)	5/16"	(7.9)	9	(4.1)
22-1	1"	(25)	2 11/16"	(68.3)	1 7/16"	(36.5)	1 3/16"	(30.2)	6	(1.83)	5/16"	(7.9)	9	(4.1)
22-1 1/4	1 1/4"	(32)	3 1/16"	(77.8)	1 5/8"	(42.3)	1 3/16"	(30.2)	6 1/2	(1.98)	5/16"	(7.9)	11	(5.0)
22-1 1/2	1 1/2"	(40)	3 5/16"	(84.1)	1 3/4"	(44.4)	1 3/16"	(30.2)	7	(2.13)	5/16"	(7.9)	12	(5.4)
22-2	2"	(50)	3 3/4"	(95.2)	2 1/8"	(54.6)	1 3/16"	(30.2)	8	(2.44)	5/16"	(7.9)	15	(6.8)

Fig. 22L2 - One Hole Hanger/Restrainer for CPVC & Steel Pipe



Size Range: 3/4" (20mm) thru 2" (50mm) CPVC & steel pipe

Material: Pre-Galvanized Steel

Function: cULus Listed to perform as a hanger and restrainer for CPVC or IPS piping systems. The innovative design also allows for a preferred installation location close to a CPVC fitting without applying damaging compression forces on the pipe which could result in serious Mechanical ESC (Environmental Stress Cracking).

Approvals: Underwriters Laboratories Listed in the USA (UL) and Canada (cUL) to support fire sprinkler piping. May be installed in wood using fasteners supplied with product, or into minimum 20 gauge (0.9mm) steel using (1) 1/4" x 1" tek type screw. Meets and exceeds the requirements of NFPA 13, 13R and 13D.

Installation Note: Comes in open position for easier installation. Because of multi – structural installation possibilities, specific fastener not included; see notes below for various applications.

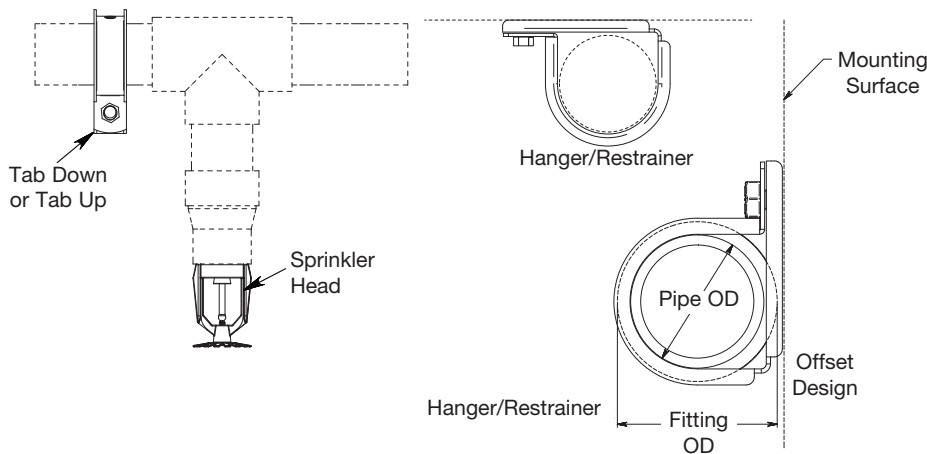
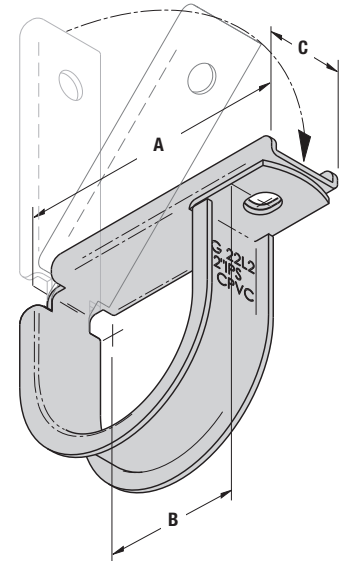
For Concrete Installation — UL requires a minimum test load of 340 lbs for CPVC hangers and 750 lbs for steel pipe hangers; verify anchors meet or exceed these requirements.

For Wood Installation — Test results have shown that #14 x 1 1/2" wood screws will support the required load for cUL us.

For Steel Installation — Test results have shown that 1/4" x 1" (min. 20ga steel) Tek type screw will support required UL load.

Finish: Pre-Galvanized

Order By: Part number



Pipe Clamps

Part No.	CPVC or Steel Pipe Size		A		B		C		Max. Hanger Spacing - CPVC		Max. Hanger Spacing - Steel		Approx. Wt./100	
	in.	(mm)	in.	(mm)	in.	(mm)	in.	(mm)	Ft.	(m)	Ft.	(m)	Lbs.	(kg)
22L2-3/4	3/4"	(20)	2 ³ / ₁₆ "	(55.6)	1 ⁵ / ₁₆ "	(23.8)	3/4"	(19.0)	5 1/2	(1.67)	NA	(NA)	9	(4.1)
22L2-1	1"	(25)	2 1/2"	(63.5)	1 1/8"	(28.6)	3/4"	(19.0)	6	(1.83)	12	(3.66)	9	(4.1)
22L2-1 1/4	1 1/4"	(32)	2 ¹³ / ₁₆ "	(71.4)	1 1/4"	(31.7)	3/4"	(19.0)	6 1/2	(1.98)	12	(3.66)	9	(4.1)
22L2-1 1/2	1 1/2"	(40)	3 1/8"	(79.4)	1 7/16"	(36.5)	3/4"	(19.0)	7	(2.13)	15	(4.57)	9	(4.1)
22L2-2	2"	(50)	3 ⁹ / ₁₆ "	(90.5)	1 5/8"	(41.3)	3/4"	(19.0)	8	(2.44)	15	(4.57)	9	(4.1)

All dimensions in charts and on drawings are in inches. Dimensions shown in parentheses are in millimeters unless otherwise specified.