

Seismic Structural Attachments

TOLCO Fig. 69R - retrofit capable beam clamp retaining strap

Size Range: $\frac{3}{8}$ "-16 & $\frac{1}{2}$ "-13 rod
 4" (101.6mm) thru 16" (406.4mm) lengths
 Note: longer lengths are available consult factory



Material: Pre-Galvanized Steel

Function: To offer more secure fastening of various types of beam clamps to beam where danger of movement might be expected. NFPA 13 requires the use of retaining straps with all beam clamps installed in earthquake areas. Satisfies requirements of NFPA 13.

Features: Beveled locking slot* is precisely formed to align with the threaded section of a hanger rod or set screw and engage the unit securely. May be used as shown in Section "A-A" or inverted. Allows easy installation for new construction or retrofit applications.

Important Note: Good installation practice of a retaining strap requires that the strap be held tightly and securely to all component parts of the assembly. Therefore the beveled locking slot of the Fig. 69R will provide a secure reliable installation.

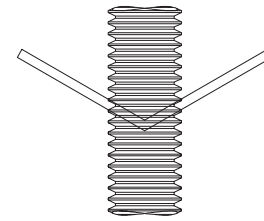
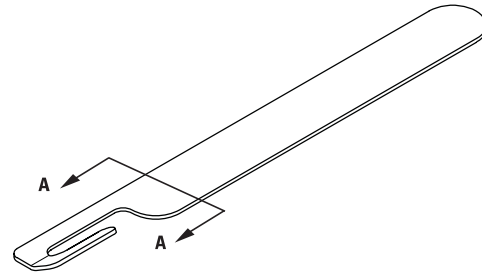
Approvals: Underwriters Laboratories Listed in the USA and Canada (cULus). Approved for use with any B-Line series and TOLCO listed beam clamp.

Finish: Pre-Galvanized

Order By: Part number, length, and finish.

Note: Minimum return on strap is 1" (25.4mm)

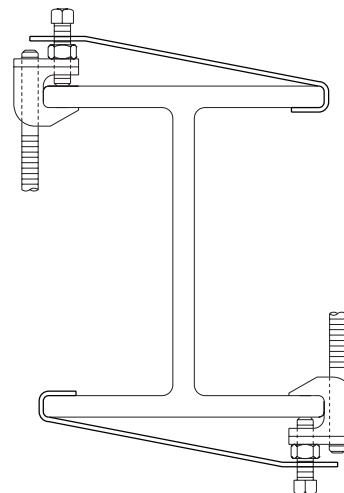
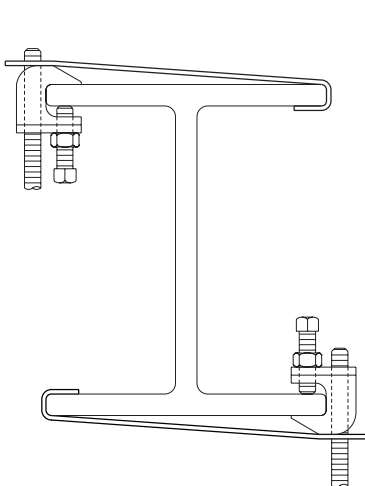
* US Patent #5,947,424



A - A



Part No.	Slot Width		For Use With	Length
	in.	(mm)		
69R- $\frac{3}{8}$ -L	$\frac{7}{16}$ "	(30.1)	B3033- $\frac{3}{8}$, B3034- $\frac{3}{8}$, B3031- $\frac{3}{8}$, 65- $\frac{3}{8}$, 65XT- $\frac{3}{8}$, 66- $\frac{3}{8}$	Specify
69R- $\frac{1}{2}$ -L	$\frac{9}{16}$ "	(30.1)	B3033- $\frac{1}{2}$, B3034- $\frac{1}{2}$, 65- $\frac{1}{2}$, 66- $\frac{1}{2}$	Specify



All dimensions in charts and on drawings are in inches. Dimensions shown in parentheses are in millimeters unless otherwise specified.