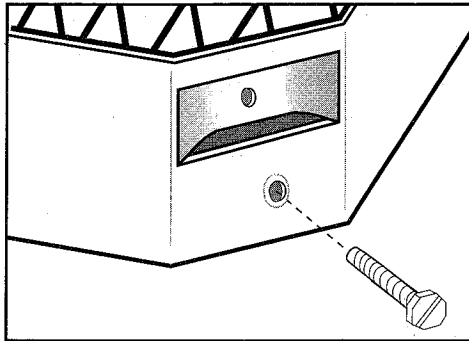


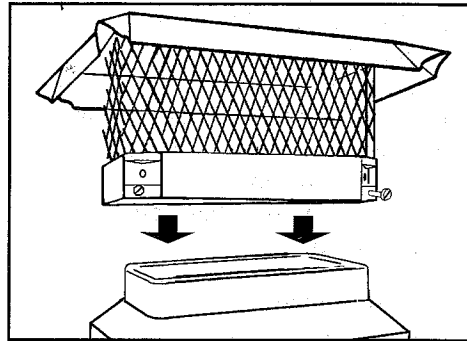
Instructions For Installing BLACK OR STAINLESS STEEL CHIMNEY COVER

READ ALL INSTRUCTIONS AND CAUTIONS (ON BACK) BEFORE PROCEEDING!

CONTENTS: ONE (1) PACKAGE OF FOUR (4) SCREWS
ONE (1) ASSEMBLED CHIMNEY COVER



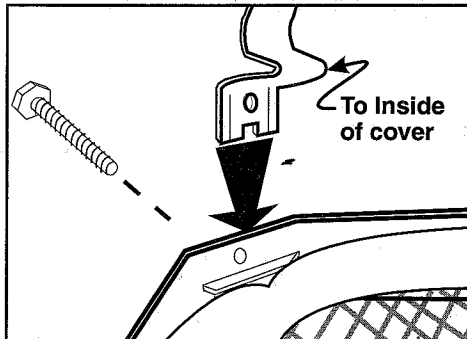
1. Insert one screw into the lower hole located in each mitered corner of the chimney cover band. (Just start the screw into the hole a few turns, until all four screws are started.)



2. Place the chimney cover on the flue liner and align the base with the flue liner. Partially tighten each of the four (4) screws until they are snug to the liner. Then tighten each of the four (4) screws firmly to the liner.

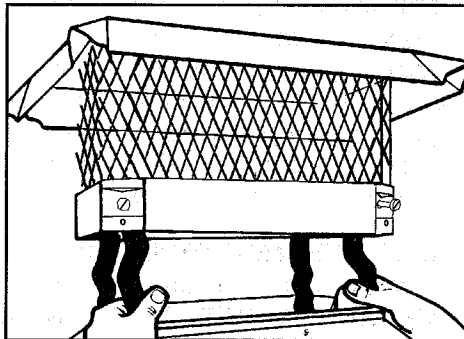
NOTE

If the tile is extended less than 3/4" out of the mortar, and will not allow the corner screws to engage securely, a leg kit (LK4) for black or (LK-4SS) for stainless steel is available from your dealer. You may then complete the installation as shown below.



1. Slip the leg up through the lance inside each corner of the band until the hole in the leg is aligned with the hole in the lanced band. Insert the mounting screw (use same four screws enclosed with cover) through the hole in the leg and into the hole in the lance. Tighten the screws just enough to hold legs into the laced slots on each corner of the cover.

Do not tighten fully at this time.



2. Insert two (2) legs into the liner no more than 1". By exerting pressure as shown, force the other legs inside the liner. Push cover straight down into the chimney liner as far as possible. Tighten the screws on all four (4) legs until the cover is held firmly into the Flue Tile.