



RGVH

Parts List
19-August-2015



*This parts list is current as of the above revision date.
See <http://www.rheempartslists.net/92-42800-RGVH.pdf> for the current revision.*

80% Gas Furnaces

Table of Contents

Model Explanation	Page 3
Parts Numbers	
Panels - Miscellaneous	Page 4
Electrical Group	Page 5
Blower Group.....	Page 6
Heat Exchanger-Burner Group.....	Page 7
Gas Controls	Page 8
Orifice Selection Chart.....	Page 9
Drawings/Photographs	
Exploded View	Page 10
Blower Assembly	Page 11
Heat Exchanger Assembly.....	Page 12
Notes/Disclaimer	Page 13

MODEL NUMBER EXPLANATION

R	G	V	H	-	0	7	E	A	U	E	R
1	2	3	4			5		6	7	8	9

(1) **MODEL DESIGNATION**

(2) **MODEL**

G = Gas Furnace

(3) **TYPE**

V = Horizontal

(4) **DESIGN SERIES**

(5) **HEATING CAPACITY (INPUT)**

05 = 50,000 BTU/HR

07 = 75,000 BTU/HR

10 = 100,000 BTU/HR

12 = 125,000 BTU/HR

15 = 150,000 BTU/HR

E = Electric Ignition (HSI)

N = Electric Ignition (HSI) with NOX

(6) **VARIATIONS**

A = Standard Cabinet

B = Wide Cabinet

(7) **BLOWER DESIGNATION**

U = 11 X 6

M = 11 X 7

R = 11 X 10

(8) **AIRFLOW**

E = 1100 - 1300 CFM

G = 1500-1700 CFM

J = 1900-2100 CFM

(9) **FUEL DESIGNATION**

A = Canadian - Natural Gas

R = U.S. - Natural Gas

SERIAL NUMBER EXPLANATION

C	Y	5	D	3	0	7	F	5	9	1	0	0	0	0
1	2	3	4	5	6	7	8		9		10			

(1) **GAS CODE**

(2) **LIMIT CONTROL**

(3) **BLOWER**

(4) **HEATING ELEMENT**

(5) **SPECIAL AREA REQUIREMENT**

(6) **MOTOR HORSEPOWER**

(7) **PLANT**

F = Fort Smth, AR

(8) **WEEK**

(9) **YEAR**

(10) **PRODUCTION NUMBER**

No.	Notes	MODEL HEATING CAPACITY VARIATION BLOWER DESIGNATION	RGVH- 04 A U	RGVH- 05 A U	RGVH- 06 A U	RGVH- 07 A M	RGVH- 07 A U	
PANELS, MISCELLANEOUS PARTS								
1		Jacket	AS-61690-06	AS-61690-06	AS-61690-08	AS-61690-07	AS-61690-08	
2		Top Plate	AE-61657-01	AE-61657-01	AE-61657-02	AE-61657-02	AE-61657-02	
3		Blower/Filter Door	AE-61679-01	AE-61679-01	AE-61680-01	AE-61680-01	AE-61680-01	
4		Burner Door (w/o Plug Button)	AE-61675-01	AE-61675-01	AE-61676-01	AE-61676-01	AE-61676-01	
		Plug Button - 1-3/16 in opening (2)	45-22980-01	45-22980-01	45-22980-01	45-22980-01	45-22980-01	
5		Control Box (w/o Components)	68-22857-01	68-22857-01	68-22857-01	68-22857-01	68-22857-01	
		Control Box Cover	AE-61699-02	AE-61699-02	AE-61699-02	AE-61699-02	AE-61699-02	
		Silicone Tubing - Pressure Switch	79-21491-93	79-21491-93	79-21491-93	79-21491-93	79-21491-93	
13		Integrated Furnace Control Board (IFC)	See Gas Controls					
14		Pressure Switch	See Electrical Group					
15		Door Switch - Push Button	See Electrical Group					
16		Limit - Main Limit (Heat Exchanger Panel)	See Electrical Group					
17		Limit - Manual Reset (Burner Compartment)	See Electrical Group					
18		Transformer	See Electrical Group					
19		Capacitor - Blower Motor	See Blower Group					
20		Induced Draft Blower w/Gasket	See Electrical Group					
26		Gas Valve	See Gas Controls					
28		Limit - Heat Assisted (Blower Housing)	See Electrical Group					

No.	Notes	MODEL HEATING CAPACITY VARIATION BLOWER DESIGNATION	RGVH- 10 A M	RGVH- 10 B R	RGVH- 12 A R	RGVH- 15 A R		
PANELS, MISCELLANEOUS PARTS								
1		Jacket	AS-61690-07	AS-61690-09	AS-61690-10	AS-61690-10		
2		Top Plate	AE-61657-02	AE-61657-03	AE-61657-04	AE-61657-04		
3		Blower/Filter Door	AE-61680-03	AE-61681-01	AE-61682-01	AE-61682-01		
4		Burner Door (w/o Plug Button)	AE-61676-03	AE-61677-01	AE-61678-01	AE-61678-01		
		Plug Button - 1-3/16 in opening (2)	45-22980-01	45-22980-01	45-22980-01	45-22980-01		
5		Control Box w/o Components	68-22857-01	68-22857-01	68-22857-01	68-22857-01		
		Control Box Cover	AE-61699-02	AE-61699-02	AE-61699-02	AE-61699-02		
		Silicone Tubing - Pressure Switch	79-21491-93	79-21491-93	79-21491-83	79-21491-83		
13		Integrated Furnace Control Board (IFC)	See Gas Controls					
14		Pressure Switch	See Electrical Group					
15		Door Switch - Push Button	See Electrical Group					
16		Limit - Main Limit (Heat Exchanger Panel)	See Electrical Group					
17		Limit - Manual Reset (Burner Compartment)	See Electrical Group					
18		Transformer	See Electrical Group					
19		Capacitor - Blower Motor	See Blower Group					
20		Induced Draft Blower w/Gasket	See Electrical Group					
26		Gas Valve	See Gas Controls					
28		Limit - Heat Assisted (Blower Housing)	See Electrical Group					

No.	Notes	MODEL HEATING CAPACITY VARIATION BLOWER DESIGNATION	RGVH-	RGVH-	RGVH-	RGVH-	RGVH-	
			04 A U	05 A U	06 A U	07 A M	07 A U	
ELECTRICAL GROUP								
12		Bracket (Limit - Manual Reset) (2)	AE-61600-02	AE-61600-02	AE-61600-02	AE-61600-02	AE-61600-02	
13		Integrated Furnace Control Board (IFC)	See Gas Controls					
14	Stk	Pressure Switch	42-24064-03	42-22682-02	42-24064-03	42-22682-03	42-22682-03	
15		Door Switch - Push Button	42-22692-01	42-22692-01	42-22692-01	42-22692-01	42-22692-01	
16	Stk	Limit - Main Limit (Heat Exchanger Panel)	47-22679-01	47-22679-03	47-22679-02	47-22679-01	47-22679-02	
17	Stk	Limit - Manual Reset (Burner Compartment) (2)	47-22861-01	47-22861-01	47-22861-01	47-22861-01	47-22861-01	
18	Stk	Transformer	46-22863-01	46-22863-01	46-22863-01	46-22863-01	46-22863-01	
19		Capacitor - Blower Motor	See Blower Group					
20	Stk	Induced Draft Blower w/Gasket	70-24071-01	70-22838-02	70-24071-02	70-22838-02	70-22838-02	
28	Stk	Limit - Heat Assisted (Blower Housing)	47-22860-01	47-22860-01	47-22860-01	47-22860-01	47-22860-01	
		Gasket - Induced Draft Blower	68-22850-01	68-22850-01	68-22850-01	68-22850-01	68-22850-01	
		Wiring Harness - 9 pin from IFC Board to 9 pin - Before F3094	AS-61702-06	AS-61702-06	AS-61702-06	AS-61702-06	AS-61702-06	
		Wiring Harness - 9 pin from IFC Board to 9 pin - After F3094	AS-61702-09	AS-61702-09	AS-61702-09	AS-61702-09	AS-61702-09	
		Wiring Harness - 9 pin to 7 terminals - Before F3094	AS-61706-08	AS-61706-08	AS-61706-08	AS-61706-08	AS-61706-08	
		Wiring Harness - 9 pin to 8 terminals - After F3094	AS-61706-11	AS-61706-11	AS-61706-11	AS-61706-11	AS-61706-11	
		Wiring Harness - 6 pin from IFC Board to 4 pin	AS-61703-01	AS-61703-01	AS-61703-01	AS-61703-01	AS-61703-01	
		Wiring Harness - 4 pin to 2 pin and 3 terminals - Before F3094	N/A	AS-61707-01	AS-61707-01	AS-61707-01	AS-61707-01	
		Wiring Harness - 4 pin to 2 pin and 2 terminals - After F3094	N/A	AS-61707-09	AS-61707-09	AS-61707-09	AS-61707-09	
		Wiring Harness - 4 pin to 2 pin, 2 pin, 1 terminal - Before F3094	AS-61707-06	N/A	N/A	N/A	N/A	
		Wiring Harness - 4 pin to 2 pin, 2 Pin - After F3094	AS-61707-08	N/A	N/A	N/A	N/A	

No.	Notes	MODEL HEATING CAPACITY VARIATION BLOWER DESIGNATION	RGVH-	RGVH-	RGVH-	RGVH-		
			10 A M	10 B R	12 A R	15 A R		
ELECTRICAL GROUP								
12		Bracket (Limit - Manual Reset) (2)	AE-61600-02	AE-61600-02	AE-61600-02	AE-61600-02		
13		Integrated Furnace Control Board (IFC)	See Gas Controls					
14	Stk	Pressure Switch	42-22682-03	42-22682-03	42-22682-02	42-22682-02		
15		Door Switch - Push Button	42-22692-01	42-22692-01	42-22692-01	42-22692-01		
16	Stk	Limit - Main Limit (Heat Exchanger Panel)	47-22679-02	47-22679-02	47-22679-03	47-22679-03		
17	Stk	Limit - Manual Reset (Burner Compartment) (2)	47-22861-01	47-22861-01	47-22861-01	47-22861-01		
18	Stk	Transformer	46-22863-01	46-22863-01	46-22863-01	46-22863-01		
19		Capacitor - Blower Motor	See Blower Group					
20	Stk	Induced Draft Blower w/Gasket	70-22838-02	70-22838-02	70-22838-02	70-22838-02		
28	Stk	Limit - Heat Assisted (Blower Housing)	47-22860-03	47-22860-01	47-22860-03	47-22860-04		
		Gasket - Induced Draft Blower	68-22850-01	68-22850-01	68-22850-01	68-22850-01		
		Wiring Harness - 9 pin from IFC Board to 9 pin - Before F3094	AS-61702-06	AS-61702-06	AS-61702-06	AS-61702-06		
		Wiring Harness - 9 pin from IFC Board to 9 pin - After F3094	AS-61702-09	AS-61702-09	AS-61702-09	AS-61702-09		
		Wiring Harness - 9 pin to 7 terminals - Before F3094	AS-61706-08	AS-61706-08	AS-61706-08	AS-61706-08		
		Wiring Harness - 9 pin to 8 terminals - After F3094	AS-61706-11	AS-61706-11	AS-61706-11	AS-61706-11		
		Wiring Harness - 6 pin from IFC Board to 4 pin	AS-61703-01	AS-61703-01	AS-61703-01	AS-61703-01		
		Wiring Harness - 4 pin to 2 pin and 3 terminals - Before F3094	AS-61707-01	AS-61707-01	AS-61707-01	AS-61707-01		
		Wiring Harness - 4 pin to 2 pin and 2 terminals - After F3094	AS-61707-09	AS-61707-09	AS-61707-09	AS-61707-09		

No.	Notes	MODEL HEATING CAPACITY VARIATION BLOWER DESIGNATION	RGVH- 04 A U	RGVH- 05 A U	RGVH- 06 A U	RGVH- 07 A M	RGVH- 07 A U
BLOWER GROUP							
21	Stk	Blower Assembly (Includes items 19, 22-25)	AS-61697-46	AS-61697-47	AS-61697-48	AS-61697-55	AS-61697-48
19	Stk	Capacitor - Blower Motor	43-100509-43	43-100509-42	43-100509-42	43-100509-43	43-100509-42
22		Housing	AS-61674-19	AS-61674-20	AS-61674-20	AS-61674-21	AS-61674-20
23		Motor Mounting Legs (4)	AE-61698-02	AE-61698-02	AE-61698-02	AE-61698-02	AE-61698-02
		Motor Mounting Leg Screws (8)	63-24368-01	63-24368-01	63-24368-01	63-24368-01	63-24368-01
24	Stk	Blower Motor	51-24070-01	51-22873-01	51-24070-02	51-25023-01	51-24070-02
25	Stk	Blower Wheel	70-22683-01	70-22683-01	70-22683-01	70-23111-05	70-22683-01
		Capacitor Strap	N/A	AE-50892-01	N/A	AE-50892-01	AE-50892-01

No.	Notes	MODEL HEATING CAPACITY VARIATION BLOWER DESIGNATION	RGVH- 10 A M	RGVH- 10 B R	RGVH- 12 A R	RGVH- 15 A R	
BLOWER GROUP							
21	Stk	Blower Assembly (Includes items 19, 22-25)	AS-61697-50	AS-61697-52	AS-61697-52	AS-61697-52	
19	Stk	Capacitor - Blower Motor	43-100509-42	43-100509-43	43-100509-43	43-100509-43	
22		Housing	AS-61674-21	AS-61674-22	AS-61674-22	AS-61674-22	
23		Motor Mounting Legs (4)	AE-61698-02	AE-61698-02	AE-61698-02	AE-61698-02	
		Motor Mounting Leg Screws (8)	63-24368-01	63-24368-01	63-24368-01	63-24368-01	
24	Stk	Blower Motor	51-24070-02	51-25023-01	51-25023-01	51-25023-01	
25	Stk	Blower Wheel	70-22688-01	70-20602-01	70-20602-01	70-20602-01	
		Capacitor Strap	N/A	AE-50892-01	AE-50892-01	AE-50892-01	

No.	Notes	MODEL HEATING CAPACITY VARIATION BLOWER DESIGNATION	RGVH-	RGVH-	RGVH-	RGVH-	RGVH-
			04 A U	05 A U	06 A U	07 A M	07 A U
HEAT EXCHANGER, BURNER / MANIFOLD							
6	Stk	Heat Exchanger Assembly	AS-61579-01	AS-61579-01	AS-61579-08	AS-61579-02	AS-61579-02
		Heat Exchanger Bracket (2)	AE-67846-02	AE-67846-02	AE-67846-02	AE-67846-02	AE-67846-02
7	Stk	Burner Tube w/Shield	75-22840-02 (2)	75-22840-02 (2)	75-22840-02 (3)	75-22840-02 (3)	75-22840-02 (3)
8		NOX Burner Insert	AS-61714-01 (2)	AS-61714-01 (2)	AS-61714-01 (3)	AS-61714-01 (3)	AS-61714-01 (3)
9		NOX Burner Retainer Rod	AE-61715-01	AE-61715-01	AE-61715-02	AE-61715-02	AE-61715-02
		Burner Support (Holds Burner between the Burner Support Brackets)	AE-61577-01	AE-61577-01	AE-61577-02	AE-61577-02	AE-61577-02
10		Burner Support Bracket (2)	AE-61588-01	AE-61588-01	AE-61588-01	AE-61588-01	AE-61588-01
11	Stk	Manifold (w/o Orifices)	81-23492-01	81-23492-01	81-23492-02	81-23492-02	81-23492-02
		Burner Orifice - Natural Gas	See Orifice Selection Chart				
		Burner Orifice - LP	See Orifice Selection Chart				
		Number of Orifices	(2)	(2)	(3)	(3)	(3)

No.	Notes	MODEL HEATING CAPACITY VARIATION BLOWER DESIGNATION	RGVH-	RGVH-	RGVH-	RGVH-	
			10 A M	10 B R	12 A R	15 A R	
HEAT EXCHANGER, BURNER / MANIFOLD							
6	Stk	Heat Exchanger Assembly	AS-61579-07	AS-61579-04	AS-61579-05	AS-61579-06	
		Heat Exchanger Bracket (2)	AE-67846-02	AE-67846-02	AE-67846-02	AE-67846-02	
7	Stk	Burner Tube w/Shield	75-22840-02 (4)	75-22840-02 (4)	75-22840-02 (5)	75-22840-02 (6)	
8		NOX Burner Insert	AS-61714-01 (4)	AS-61714-01 (4)	AS-61714-01 (5)	AS-61714-01 (6)	
9		NOX Burner Retainer Rod	AE-61715-03	AE-61715-04	AE-61715-05	AE-61715-06	
		Burner Support (Holds Burner between the Burner Support Brackets)	AE-61577-03	AE-61577-03	AE-61577-04	AE-61577-05	
10		Burner Support Bracket (2)	AE-61588-01	AE-61588-01	AE-61588-01	AE-61588-01	
11	Stk	Manifold (w/o Orifices)	81-23492-03	81-23492-03	81-23492-04	81-23492-05	
		Burner Orifice - Natural Gas	See Orifice Selection Chart				
		Burner Orifice - LP	See Orifice Selection Chart				
		Number of Orifices	(4)	(4)	(5)	(6)	

No.	Notes	MODEL GAS CODE (TYPE)	RGVH BT (HSI)	RGVH CA (HSI)				
GAS CONTROLS - ROBERTSHAW								
26	Stk	Gas Valve - Natural Gas	60-22525-11	60-22525-11				
26	Stk,1	Gas Valve - LP	See Note 1	See Note 1				
13	Stk	Integrated Furnace Control Board (IFC)	62-22737-07	62-22694-01				
	Stk	Flame Sensor	62-23543-01	62-23543-01				
27	Stk	Ignitor	62-22868-02	62-22868-02				
		Ignitor Bracket	AE-61581-01	AE-61581-01				
		Ignitor Shield	AE-61627-01	AE-61627-01				
LP Conversion Kit:								
	Stk	U.S. Models	FP-15	FP-15				
	Stk	Canadian Models	FP-04	FP-04				

No.	Notes	MODEL GAS CODE (TYPE)	RGVH CE (HSI)	RGVH CV (HSI)	RGVH CW (HSI)	RGVH CX (HSI)	RGVH CY (HSI)	
GAS CONTROLS - HONEYWELL								
26	Stk	Gas Valve - Natural Gas	60-105055-01	60-105055-01	60-105055-01	60-105055-01	60-105055-01	
26	Stk,1	Gas Valve - LP	See Note 1	See Note 1	See Note 1	See Note 1	See Note 1	
13	Stk	Integrated Furnace Control Board (IFC)	62-22694-02	62-22694-03	62-22737-08	62-22737-10	62-22694-11	
	Stk	Flame Sensor	62-23543-01	62-23543-01	62-23543-01	62-23543-01	62-23543-01	
27	Stk	Ignitor	62-22868-02	62-22868-02	62-22868-02	62-22868-02	62-22868-02	
		Ignitor Bracket	AE-61581-01	AE-61581-01	AE-61581-01	AE-61581-01	AE-61581-01	
		Ignitor Shield	AE-61627-01	AE-61627-01	AE-61627-01	AE-61627-01	AE-61627-01	
LP Conversion Kit:								
	Stk	U.S. Models	FP-15	FP-15	FP-15	FP-15	FP-15	
	Stk	Canadian Models	FP-15	FP-15	FP-15	FP-15	FP-15	

No.	Notes	MODEL GAS CODE (TYPE)	RGVH DC (HSI)	RGVH DF (HSI)	RGVH DJ (IP)			
GAS CONTROLS - HONEYWELL								
26	Stk	Gas Valve - Natural Gas	60-105055-01	60-105055-01	60-22526-01			
26	Stk,1	Gas Valve - LP	See Note 1	See Note 1	See Note 2			
13	Stk	Integrated Furnace Control Board (IFC)	62-24044-01	62-24084-02	62-24202-01			
	Stk	Flame Sensor	62-23543-01	62-23543-01	N/A			
27	Stk	Ignitor	62-22868-02	62-22868-02	N/A			
		Ignitor Bracket	AE-61581-01	AE-61581-01	N/A			
		Ignitor Shield	AE-61627-01	AE-61627-01	N/A			
		Pilot Assembly	N/A	N/A	62-24203-01			
		Pilot Shield	N/A	N/A	AE-61757-01			
		Pilot Bracket	N/A	N/A	AE-61658-02			
LP Conversion Kit:								
	Stk	U.S. Models	FP-15	FP-15	EP-89H			
	Stk	Canadian Models	FP-15	FP-15	N/A			

No.	Notes	MODEL GAS CODE (TYPE)	RGVH DA (HSI)	RGVH DB (HSI)	RGVH DG (HSI)	RGVH DH (HSI)	RGVH EU (HSI)	RGVH EV (HSI)
GAS CONTROLS - WHITE RODGERS								
26	Stk	Gas Valve - Natural Gas	60-23490-01	60-23490-01	60-23490-01	60-23490-01	60-24290-01	60-24290-01
26	Stk,1	Gas Valve - LP	See Note 1	See Note 1	See Note 1	See Note 1	See Note 1	See Note 1
13	Stk	Integrated Furnace Control Board (IFC)	62-22737-08	62-22694-11	62-24084-02	62-24044-01	62-24044-01	62-24084-02
	Stk	Flame Sensor	62-23543-01	62-23543-01	62-23543-01	62-23543-01	62-23543-01	62-23543-01
27	Stk	Ignitor	62-22868-02	62-22868-02	62-22868-02	62-22868-02	62-22868-02	62-22868-02
		Ignitor Bracket	AE-61581-01	AE-61581-01	AE-61581-01	AE-61581-01	AE-61581-01	AE-61581-01
		Ignitor Shield	AE-61627-01	AE-61627-01	AE-61627-01	AE-61627-01	AE-61627-01	AE-61627-01
LP Conversion Kit:								
	Stk	U.S. Models	FP-15	FP-15	FP-15	FP-15	FP-15	FP-15
	Stk	Canadian Models	FP-04	FP-04	FP-04	FP-04	FP-04	FP-04

80% GAS FURNACE - ORIFICE SELECTION CHART - NATURAL GAS

CAUTION: Selection of the correct Natural Gas Orifice requires the following information for the specific installation:

- 1) Altitude in of the installation (ft.).
- 2) Average energy content of the Natural Gas fuel from the local supplier (BTU/cu. ft.).

For detailed information and instructions for Orifice selection, see the Gas Furnace LP Conversion Kit Index 92-21519-59 and the latest edition of the National Fuel Gas Code Handbook, or the National Standard of Canada, Natural Gas and Propane Installation Code, CAN B149.1.

CAUTION: This information is provided for replacement purposes only. Conversion for operation at High Altitude must be done using the kit specified on the product specification sheet for the unit.

NOTE: This Orifice sizing chart is based on 25,000 BTU/HR per burner.

NOTE: Factory installed orifices are calculated and sized based on a Natural Gas heating value of 1075 BTU/cu. ft. and an elevation of 0 - 3000 ft.

Energy Value (BTU/cu. ft.)	Elevation (ft.)							
	0 - 1999	2000 - 2999	3000 - 3999	4000 - 4999	5000 - 5999	6000 - 6999	7000 - 7999	8000 - 8999
850	62-22175-38	62-22175-39	62-22175-40	62-22175-41	62-22175-41	62-22175-42	62-22175-42	62-22175-43
900	62-22175-40	62-22175-41	62-22175-42	62-22175-42	62-22175-42	62-22175-43	62-22175-43	62-22175-44
975	62-22175-41	62-22175-42	62-22175-42	62-22175-42	62-22175-43	62-22175-43	62-22175-44	62-22175-44
1075	62-22175-42	62-22175-42	62-22175-43	62-22175-43	62-22175-43	62-22175-44	62-22175-44	62-22175-45
1170	62-22175-43	62-22175-44	62-22175-44	62-22175-44	62-22175-45	62-22175-45	62-22175-46	62-22175-47

80% GAS FURNACE - ORIFICE SELECTION CHART - LP

CAUTION: Selection of the correct LP Orifice requires the altitude of the specific installation (ft.).

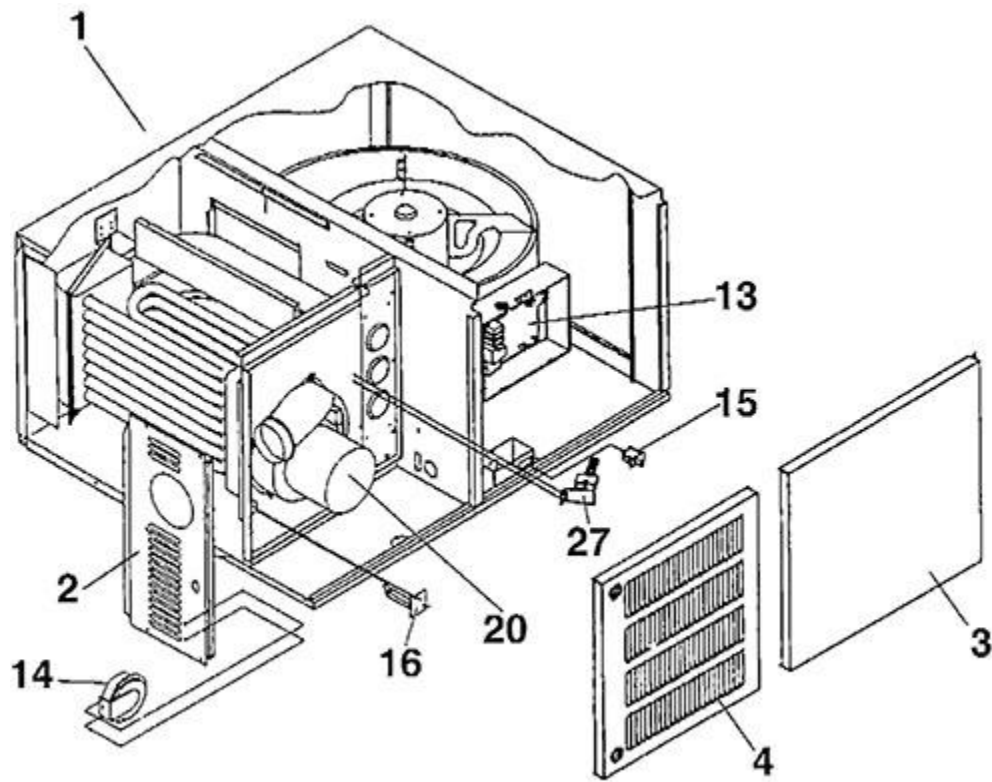
For detailed information and instructions for Orifice selection, see the Gas Furnace LP Conversion Kit Index 92-21519-59 and the latest edition of the National Fuel Gas Code Handbook (NFG), or the National Standard of Canada, Natural Gas and Propane Installation Code, CAN B149.1.

CAUTION: This information is provided for replacement purposes only. Conversion to LP or for operation at High Altitude should be done using the kit(s) specified on the product specification sheet for the unit.

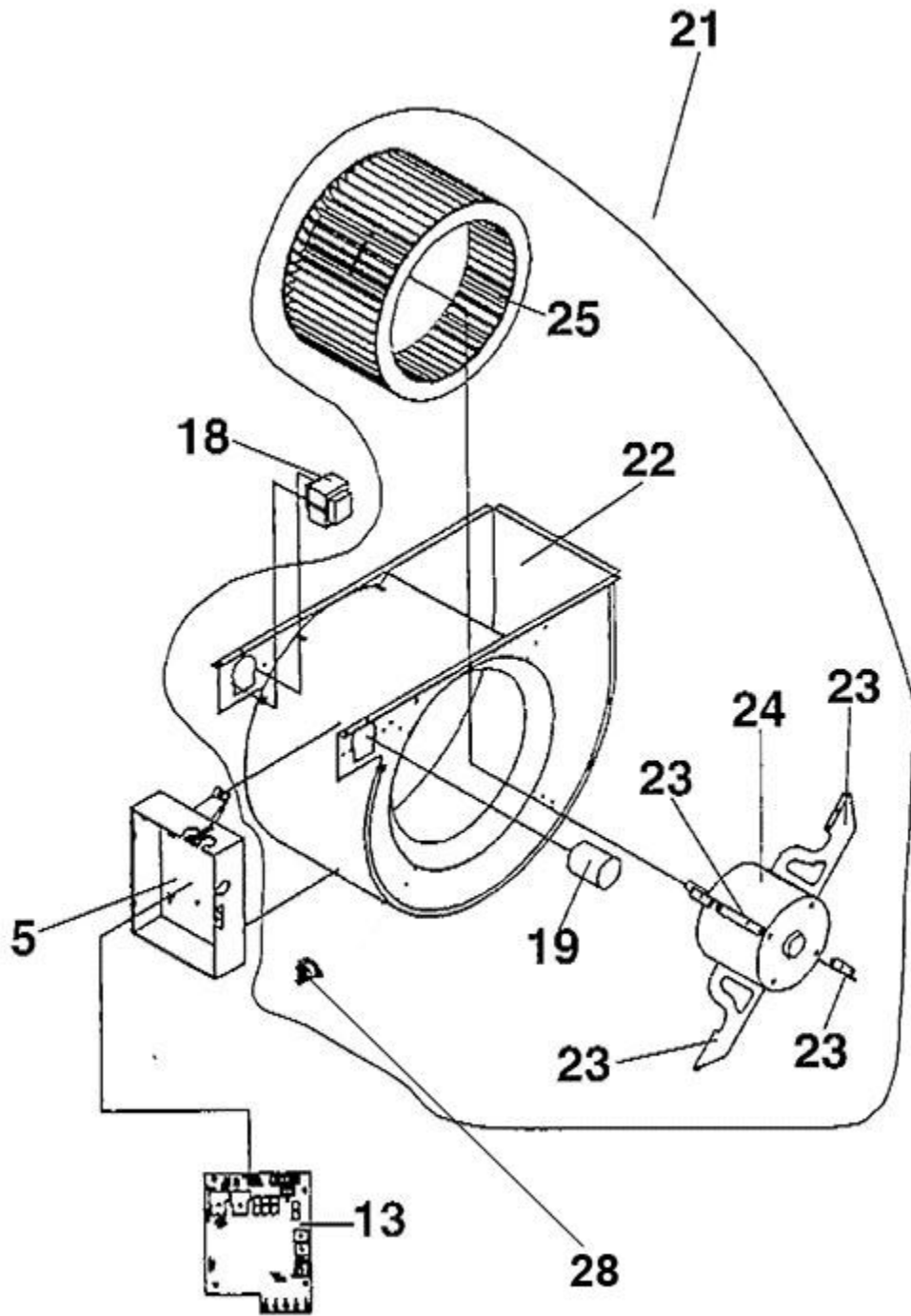
NOTE: This Orifice sizing chart is based on 25,000 BTU/HR per burner. Also, the chart is developed using the specified pressure setting of 10 in. water column instead of the 11.0 in water column used by the NFG and CANB149.1.

NOTE: Orifices supplied in the LP Conversion Kit are calculated and sized based on an altitude of 0 - 4000 ft.

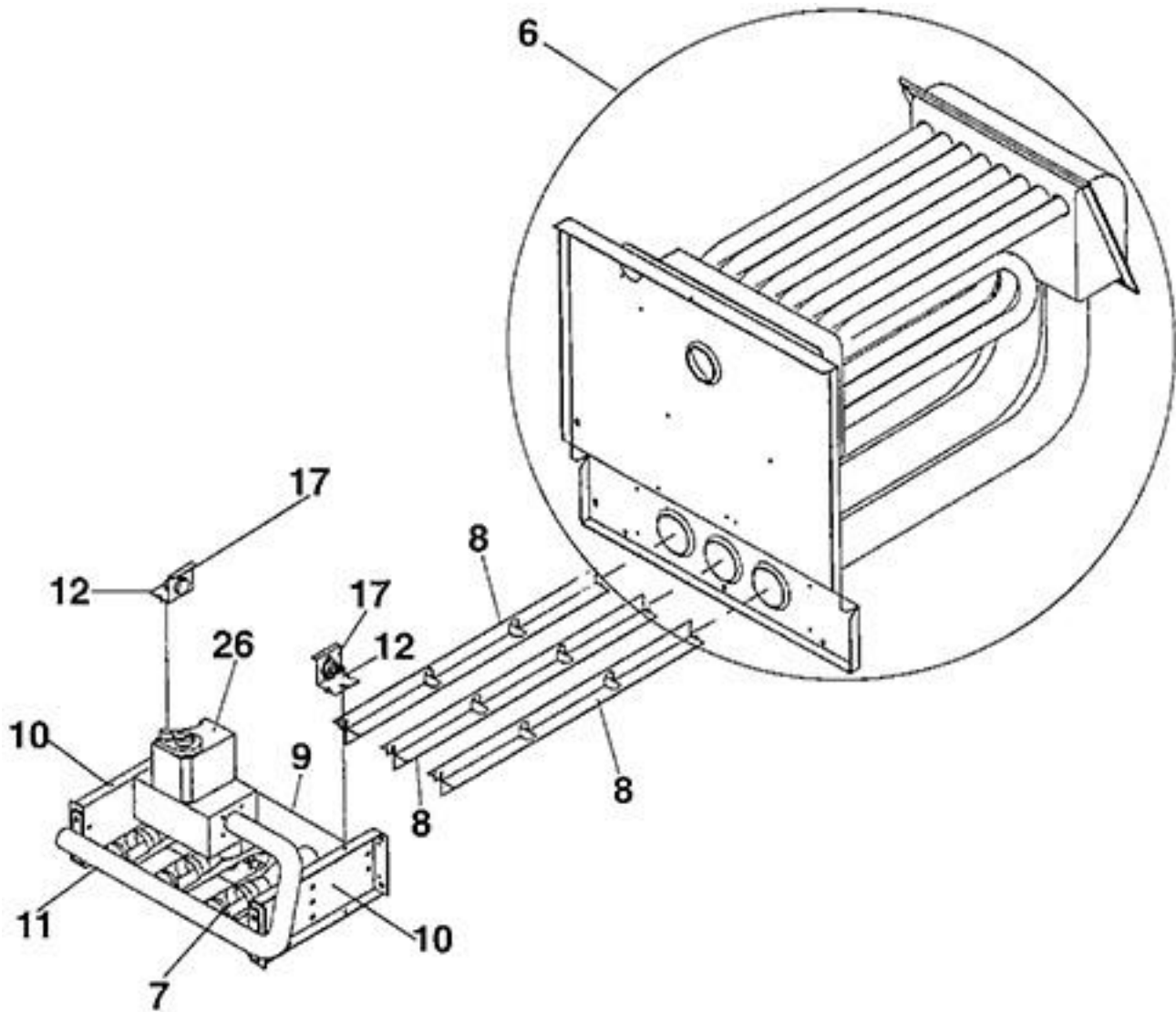
Elevation (ft.)	Orifice							
0 - 2000	62-22175-54							
2001 - 3000	62-22175-54							
3001 - 4000	62-22175-54							
4001 - 5000	62-22175-54							
5001 - 6000	62-22175-54							
6001 - 7000	62-22175-54							
7001 - 8000	62-22175-55							
8001 - 9000	62-22175-55							
9001 - 10000	62-22175-55							



Exploded View



Blower Assembly



Heat Exchanger Assembly

NOTES

Stk It is recommended that stock be maintained for this part.

N/A Not Applicable

- 1 Order Gas Valve for Natural Gas along with LP Conversion Kit. (If the original valve has been replaced, order the spring kit for the replacement valve.)
- 2 Order specified LP Conversion Kit

DISCLAIMER: This document is intended to provide general replacement parts information to aid qualified service personnel in the repair of these models. The complete Model and Serial Number of the unit under repair should be specified when selecting and ordering replacement parts. Specifications and illustrations are subject to change without notice. Document 92-42800-RGVH supersedes all previous parts lists for these models. See <http://www.rheempartslists.net/92-42800-RGVH> for the latest revision of this document. The manufacturer assumes no obligation for errors or omissions. Service personnel must verify the proper and safe operation of equipment after the replacement of any original components.