



Installation, Operation & Maintenance Instructions for the PRIER C-240 and C-250 Ground Hydrants

Please leave this sheet for the property owner

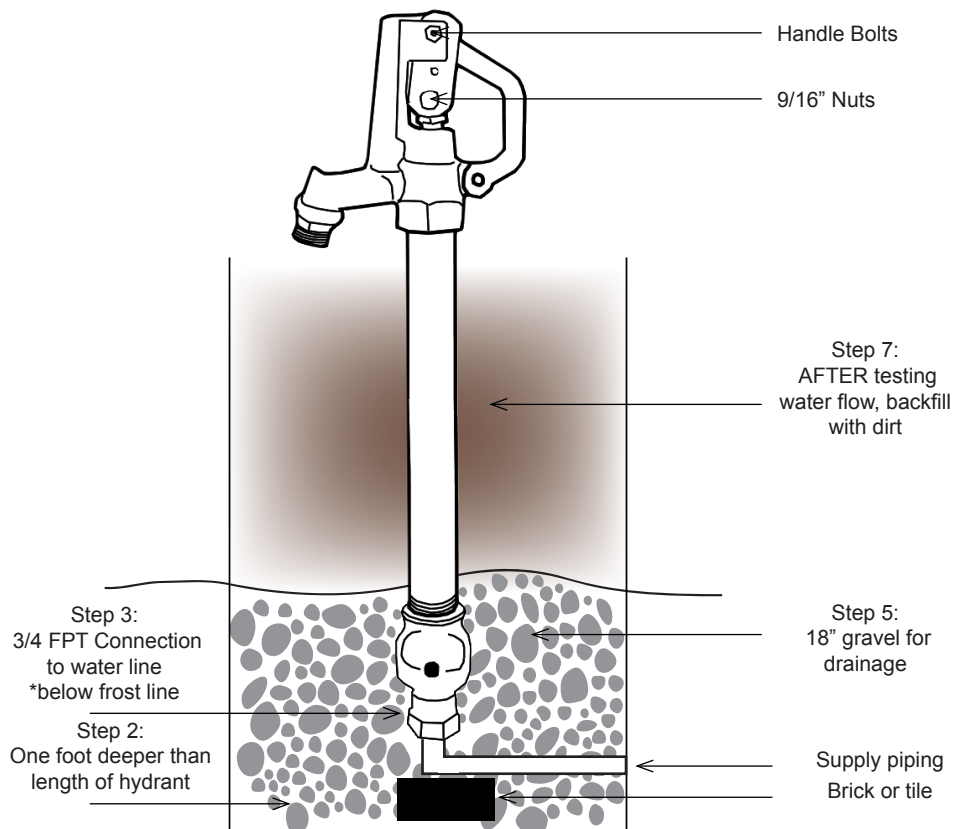
Thank you for purchasing the PRIER C-240 or C-250 Ground Hydrant, the finest quality bury hydrants available. Your C-240 or C-250 will provide you years of dependable service with little or no maintenance.

Installation:

1. Flush water line to wash out any foreign particles prior to installation. Then turn off water.
2. Dig hole 1 foot beyond required bury depth (example: for a 5' bury hydrant, dig 6' hole).
3. Plumb into water line and connect bury hydrant, 3/4" FPT. A 1/8" brass nipple and 90 degree elbow can be installed in the waste hole and pointed down to help prevent blocking of the hole.
4. Prior to burying the hydrant, check for proper operation. Raise the lever; water should not run through the hydrant until the lever passes the half way point or horizontal position. When water is flowing through the hydrant, it should shut off when the lever comes down the horizontal point. The remaining travel of the lever in closing opens drain port.
5. Fill bottom 18" of hole with gravel for proper drainage. A few tiles can be laid to form a field system for the drain.
*DO NOT USE SAND OR OTHER FILL AS THE HYDRANT WILL NOT DRAIN.
6. Make sure the hydrant is straight.
7. Fill the balance of the hole with earth to grade.

IMPORTANT - BEFORE FILLING THE TRENCH

Turn on the hydrant by raising the handle to let the water flow. If the hydrant is not working properly, refer to the adjustment section. **PRIER will not accept any responsibility for digging up the hydrant if the installer fails to flush out the water line before attaching hydrant to water line AND to check the hydrant for proper operation before back-filling the trench.**



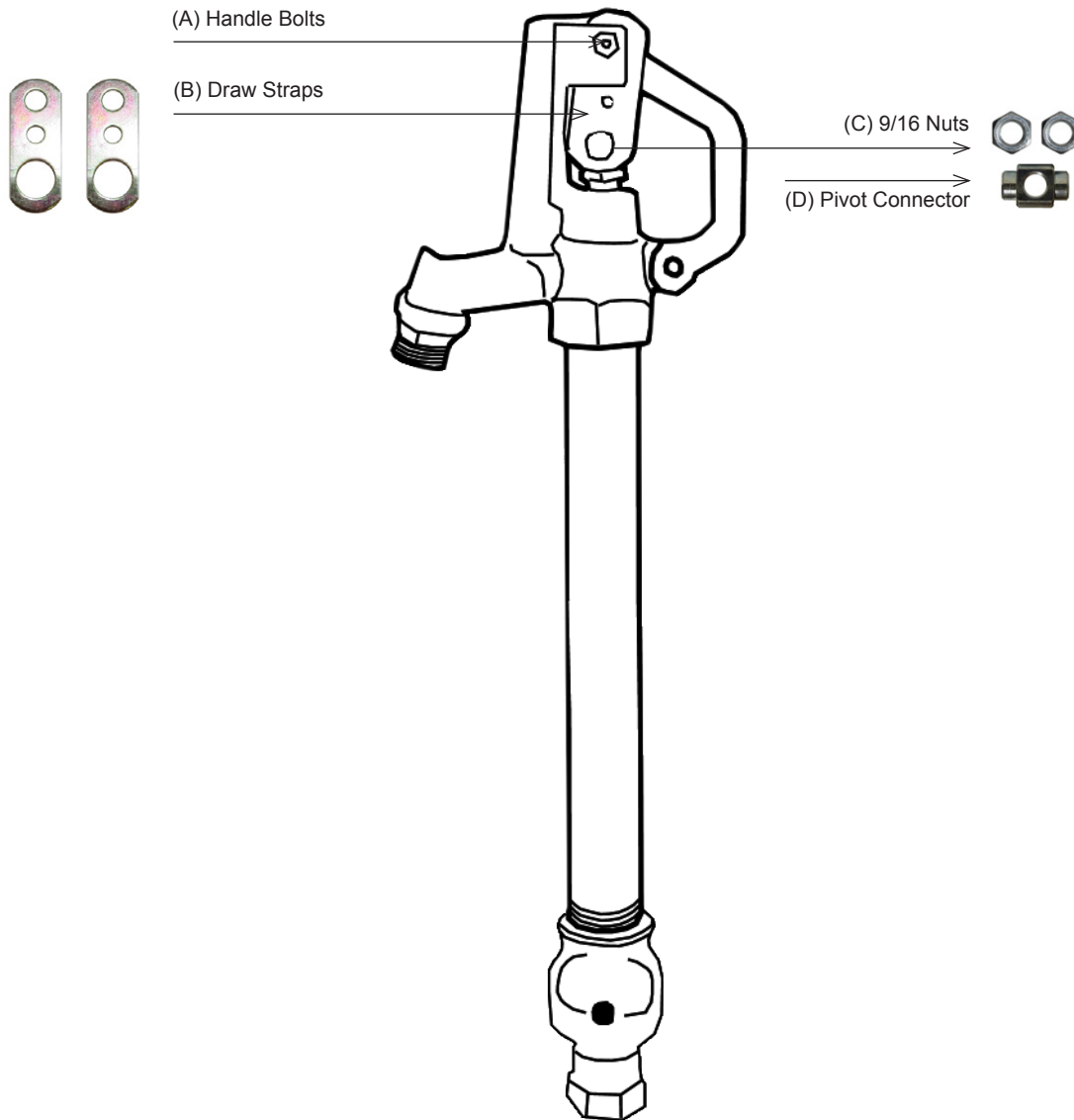
CAUTION:

- When the hydrant is tightened, be careful that it is not tightened so tightly that the hydrant head or valve body will be screwed further onto the pipe and thus change the adjustment of the hydrants. IF this should happen, refer to the adjustment section for proper adjustment.
- Do not use a wrench on the stand pipe. Using a wrench on the stand pipe could change adjustment of the hydrant and restrict water flow or make the hydrant inoperative.
- Back siphonage can occur if end of attached hose is left in container of liquid. End of hose must be left open to the air to allow hydrant to drain.

Adjusting the plunger in the lower valve body:

1. Take the handle bolt (A) out of the head casting and remove the handle and draw straps (B). Note: draw straps are bent inward, which applies pressure on the handle when opening the hydrant.
2. With two wrenches, loosen the 9/16" nuts (C) on each side of the pivot connector (D).
3. To lower the plunger, turn the top nut UPWARD (only one thread). Turning the top nut upward lengthens the stem so when the hydrant is shut off, the plunger will be in a lower position. Turn pivot connector and bottom nut to tighten up against top nut.
4. Tighten the LOWER nut upward toward the pivot connector.
5. Tighten the top nut.

To determine if the water is not draining out the stand pipe, turn the hydrant on and let the water flow. Now push down the handle to close the hydrant with a cup of water covering the nozzle. If the water in the cup siphons out of the cup, then adjust the plunger in the same way stated above.



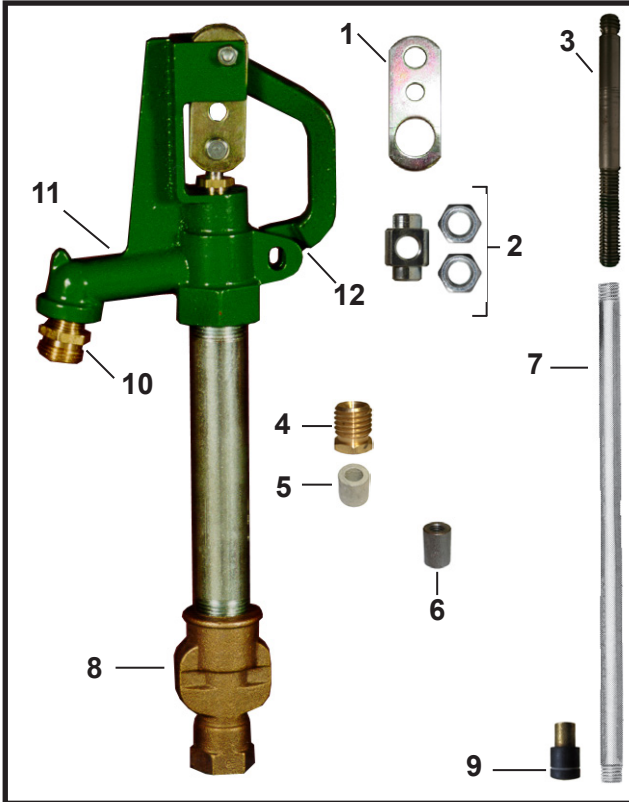
***If you have any questions, DO NOT DIG UP HYDRANT.
Please call PRIER's Customer Service Department at 800-362-9055***

C-240 AND C-250 PARTS LISTED ON THE FOLLOWING PAGE.



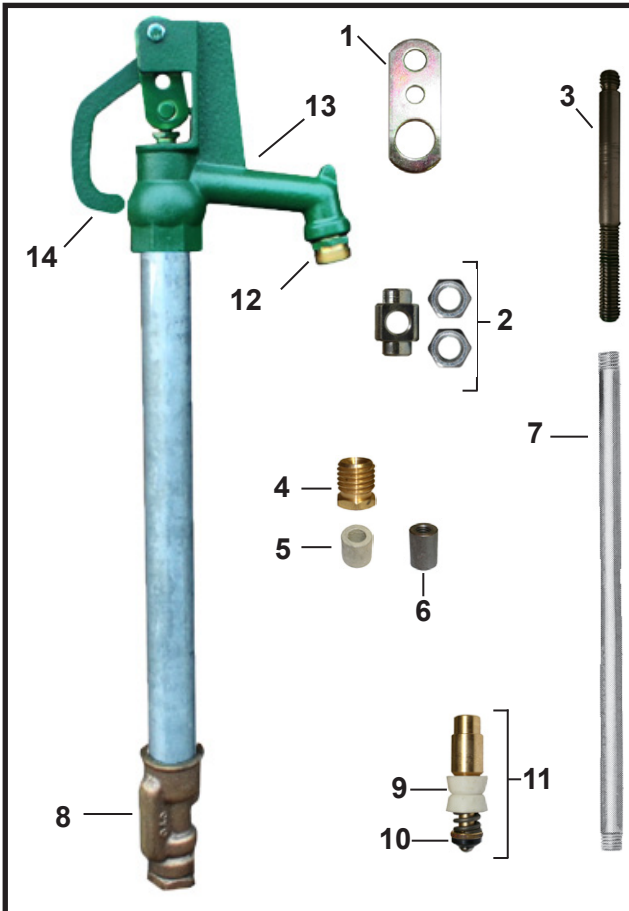
4515 East 139th Street
 Grandview, MO 64030
 (800) 362-9055
 Fax (800) 362-1463
 www.PRIER.com

C-240 Replacement Parts



ID	Part No.	Description
1	324-1004	Draw Straps, Quantity 2 Required
2	232-0001	Pivot Connector and Nuts
3	314-0002	Rod (Stainless Steel)
4	310-0010	Packing Nut
5	346-0001	Valve Stem Packing
6	310-0014	Rod Connector
7	314-0003	7/16" Extension Rod
8	300-0027	Valve Body for C-240
9	C-240-021	Plunger for C-240
10	310-0027	Hose Thread Adapter for C-240, C-250
11	301-0003	Head for C-240 (Cast Iron)
12	301-0002	Handle for C-240 (Cast Iron)
	C-240-801	Overhaul Kit, Contains: 1, 2, 4, 5, 9

C-250 Replacement Parts



ID	Part No.	Description
1	324-1004	Draw Straps, Quantity 2 Required
2	232-0001	Pivot Connector and Nuts
3	314-0002	Rod (Stainless Steel)
4	310-0010	Packing Nut
5	346-0001	Valve Stem Packing
6	310-0014	Rod Connector
7	314-0003	7/16" Extension Rod
8	310-0011	Valve Body for C-250
9	340-0002	Cup Leathers, Quantity 2 Required
10	936-0001	3/8" L Beveled Bibb Washer
11	C-250-021	Plunger for C-250
12	310-0027	Hose Thread Adapter for C-240, C-250
13	301-0004	Head for C-250 (Cast Iron)
14	301-0001	Handle for C-250 (Cast Iron)
	C-250-801	Overhaul Kit, Contains 1, 2, 4, 5, 11