

FR Series**Fire Rated Wall Access Doors**

Doors are Fire Rated by Underwriters Laboratories Inc., for 1-1/2 hours, "B" Label, and meet ANSI-UL 10B standard. Door has a heavy duty spring closer to assure positive latching when panel closes. ***This door is for wall installation only.***

Door and Frame are fabricated from 16 gage, galvanized steel with a prime coat finish.

Door has a heavy duty spring to assure positive latching.

Frame is equipped with both masonry anchors and bolt holes to facilitate installation in all types of wall construction.

Concealed Hinge operates completely out of sight so that only the door and frame is visible.

Exterior Latch is recessed and is operated using a ring attached to the sliding bolt.

Interior Latch Release Slide is included enabling door to be opened from the inside.

Finish is a prime coat suitable for painting.

Guide Specification

Provide Elmdor[®] FR Series, Fire Rated Access Doors (specify model number and options). Access door and frame shall be fabricated from 16 gage, galvanized steel with a prime coat finish. Hinge shall be concealed type. Door shall have a heavy duty spring to provide positive latching when closed, and an interior latch release slide enabling door to be opened from the inside. Exterior latch shall be recessed and operated using ring attached to the sliding bolt. Finish shall be a prime coat suitable for painting.

MODEL NUMBER AND OPTIONS SELECTION

BASE MODEL NUMBER

FR Fire Rated Access Door

Suffix Options

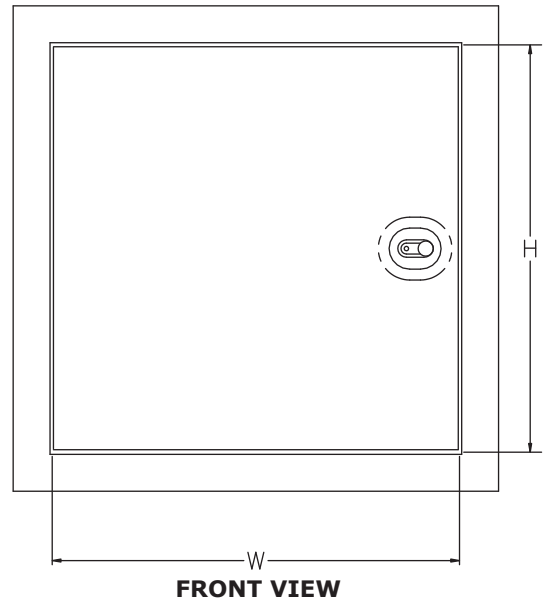
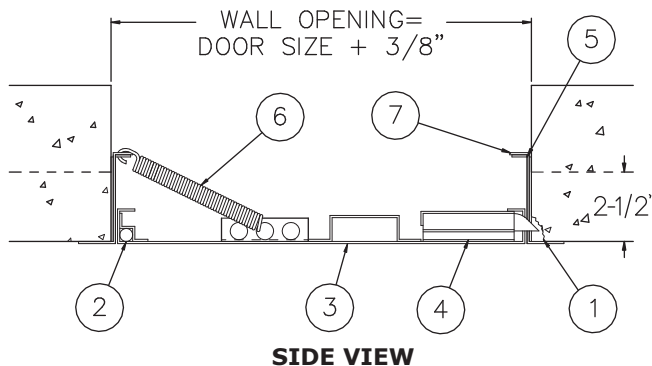
- CL Cylinder Lock (one per door)
- GB Galvanized Drywall Bead
- SS Stainless Steel Construction.
(Type 304 No 4 Finish Satin Finish)

STANDARD AVAILABLE SIZES

Special sizes available upon request.

NOMINAL DOOR SIZE (W X H)	WALL OPENING (minimum required)	LATCHES	WEIGHT
FR 8" x 8"	8-3/8" x 8-3/8"	1	6 lbs.
FR 10" x 10"	10-3/8" x 10-3/8"	1	7.5 lbs.
FR 12" x 12"	12-3/8" x 12-3/8"	1	9 lbs.
FR 12" x 18"	12-3/8" x 18-3/8"	1	10.5 lbs.
FR 12" x 24"	12-3/8" x 24-3/8"	1	13 lbs.
FR 14" x 14"	14-3/8" x 14-3/8"	1	10 lbs.
FR 16" x 16"	16-3/8" x 16-3/8"	1	12.5 lbs.
FR 18" x 18"	18-3/8" x 18-3/8"	1	15 lbs.
FR 20" x 20"	20-3/8" x 20-3/8"	1	18 lbs.
FR 22" x 22"	22-3/8" x 22-3/8"	1	22 lbs.
FR 22" x 30"	22-3/8" x 30-3/8"	2	28 lbs.
FR 24" x 24"	24-3/8" x 24-3/8"	2	24.5 lbs.
FR 24" x 36"	24-3/8" x 36-3/8"	2	33 lbs.
FR 24" x 48"	24-3/8" x 48-3/8"	2	42 lbs.
FR 30" x 30"	30-3/8" x 30-3/8"	2	33.5 lbs.
FR 32" x 32"	32-3/8" x 32-3/8"	2	35 lbs.
FR 36" x 36"	36-3/8" x 36-3/8"	2	43 lbs.
FR 36" x 48"	36-3/8" x 48-3/8"	2	74 lbs.

- NOTES:
1. CHIP OUT MASONRY TO CLEAR BOLT COVER
 2. CONCEALED HINGE
 3. DOOR
 4. RECESSED LATCH
 5. INTERIOR LATCH RELEASE SLIDE
 6. CLOSING SPRING
 7. FRAME



Dimensions are subject to manufacturer's tolerance of plus or minus 1/4". Elmdor/Stoneman assumes no responsibility for use of void or suspended data. Please visit www.elmdorstoneman.com for most current specifications. © Copyright 2005 Elmdor/Stoneman, City of Industry, CA, A Division of Acorn Engineering Company.

SELECTION SUMMARY & APPROVAL FOR MANUFACTURING	
Model Number & Options _____	Quantity _____
Company _____	Date _____
Contact _____	Title _____
Approval for Manufacturing/Signature _____	

FR Revised: 3/1/02