



COMMERCIAL GAS SERVICE PARTS LIST

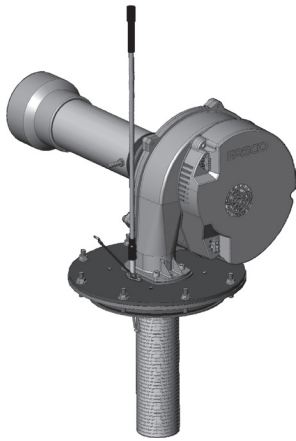
A.O. Smith Water Heater Parts Fulfillment
125 Southeast Parkway • Franklin, TN 37068
www.hotwater.com • 1-800-433-2545

MODELS:
BTH 300(A)
BTH 400(A)
BTH 500(A)
Series:
300/301

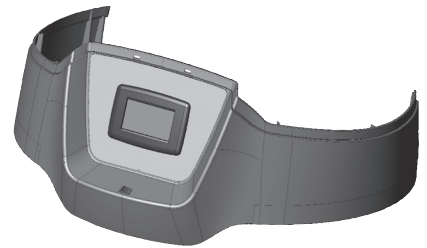
BTH CYCLONE MXi - MODEL BTH-300(A)-500(A)
See Page 2



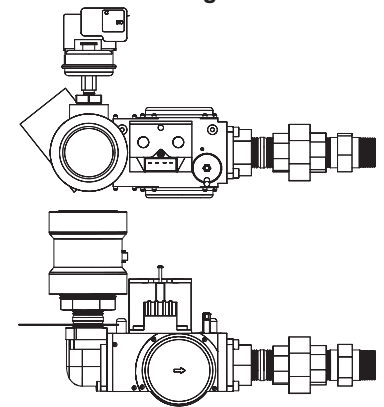
BLOWER/BURNER ASSEMBLY
See Page 5



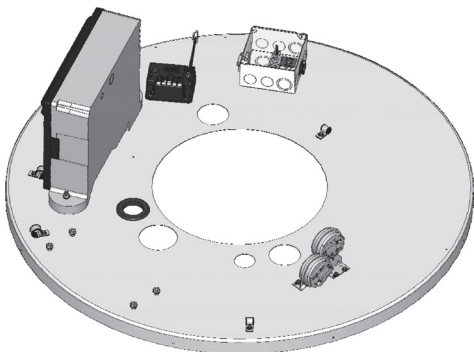
DISPLAY CONTROL ASSEMBLY
See Page 2



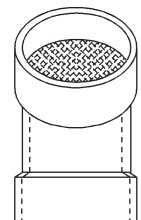
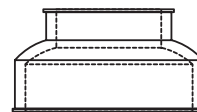
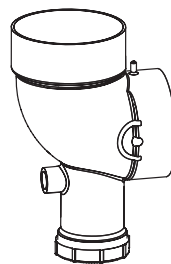
GAS VALVE
See Page 4



OPERATING CONTROL
See Page 3

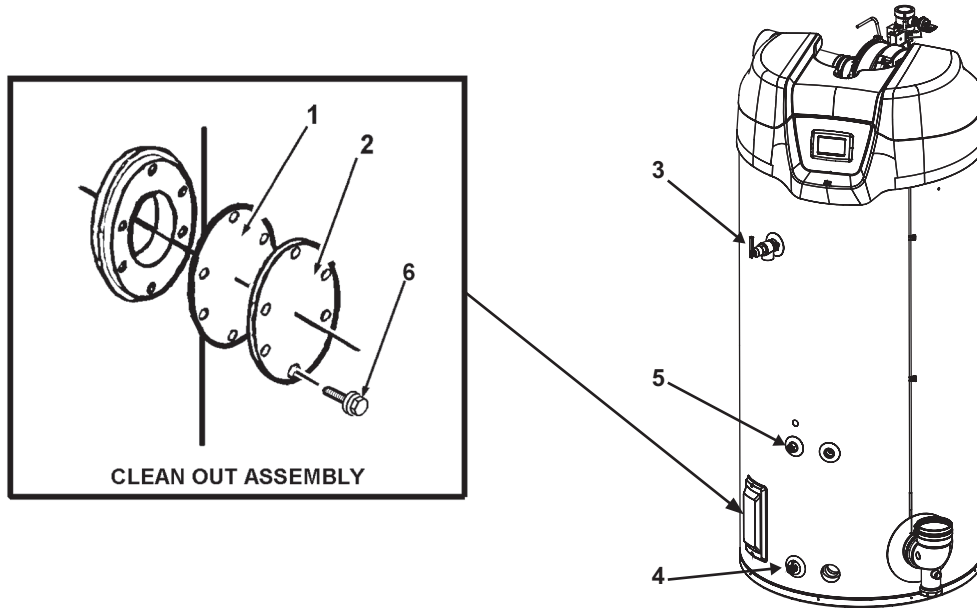


EXHAUST ELBOW, VENT KIT & BLOWER INTAKE PARTS
See Page 6



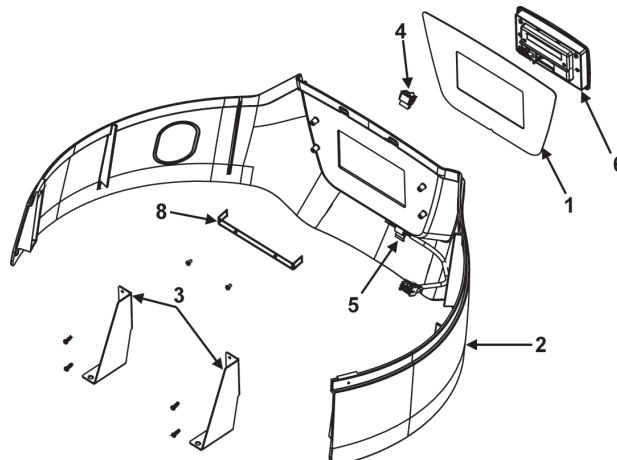
CYCLONE MXi BTH 300(A)/400(A)/500(A) - Cleanout Assembly/T&P/Drain Valve Parts

| Item | Description | BTH 300(A) 300/301 | BTH 400(A) 300/301 | BTH 500(A) 300/301 |
|--------|--|-----------------------|-----------------------|-----------------------|
| 1..... | Cleanout Gasket..... | 9004099215 | 9004099215 | 9004099215 |
| 2..... | Cover, Cleanout..... | 9005797205 | 9005797205 | 9005797205 |
| 3..... | Temperature and Pressure Relief Valve..... | 9005903205 | 9005903205 | 9005903205 |
| 4..... | Drain Valve..... | 9009085015 | 9009085015 | 9009085015 |
| 5..... | Lower Temperature Probe..... | 100271886 | 100271886 | 100271886 |
| 6..... | Thread Forming Screws..... | 9004100215 | 9004100215 | 9004100215 |



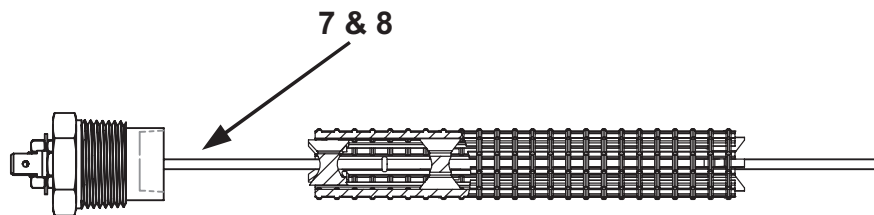
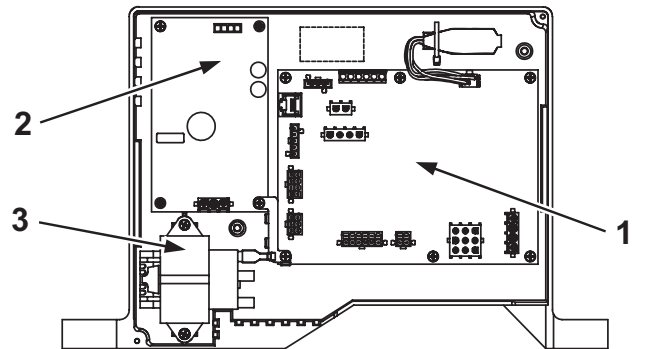
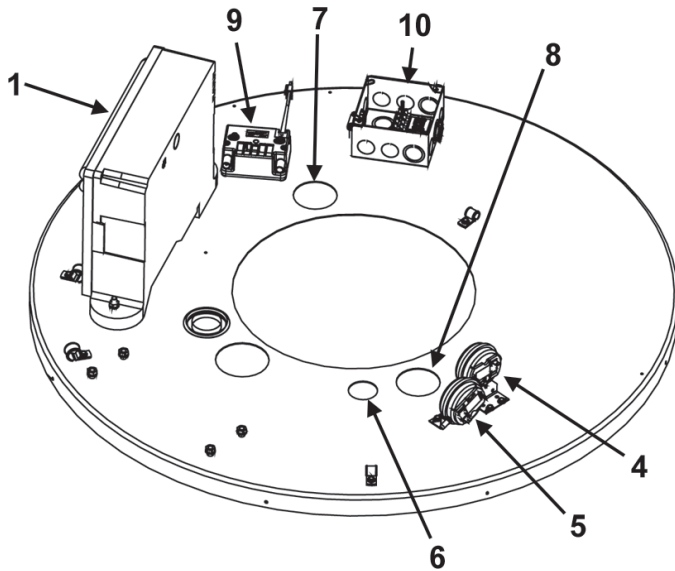
DISPLAY CONTROL ASSEMBLY

| Item | Description | BTH 300(A) 300/301 | BTH 400(A) 300/301 | BTH 500(A) 300/301 |
|--------|----------------------------------|-----------------------|-----------------------|-----------------------|
| 1..... | Display Overlay..... | 334316-000 | 334316-000 | 334316-000 |
| 2..... | Display Band..... | 334068-000 | 334068-000 | 334068-000 |
| 3..... | Display Band Mount..... | 9006271015 | 9006271015 | 9006271015 |
| 4..... | Enable/Disable Switch..... | 193243-001 | 193243-001 | 193243-001 |
| 5..... | Switch Wire Connection..... | 328918-000 | 328918-000 | 328918-000 |
| 6..... | User Interface Module - UIM..... | 100271881 | 100271881 | 100271881 |
| 7..... | UIM COMM Cable (not shown)..... | 334445-000 | 334445-000 | 334445-000 |
| 8..... | Bracket, UIM Mounting..... | 334317-000 | 334317-000 | 334317-000 |



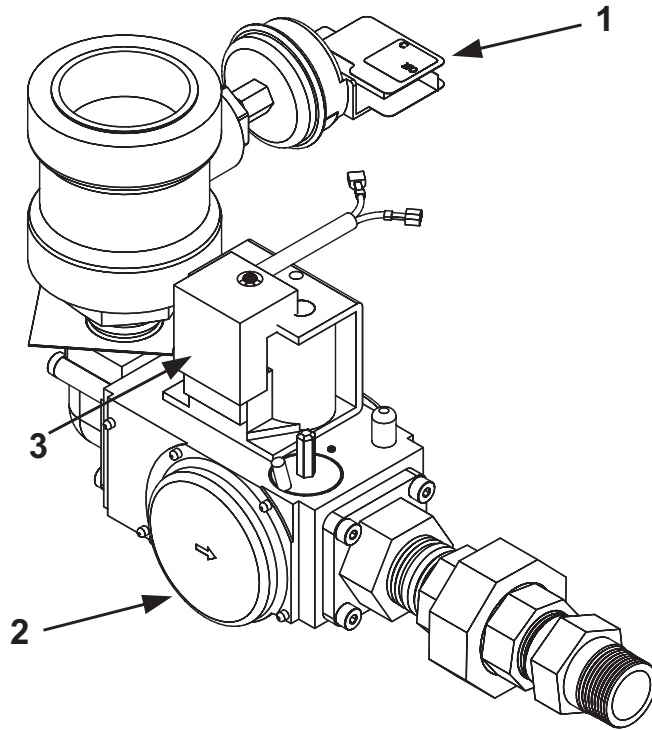
CYCLONE MXi BTH 300(A)/400(A)/500(A) - OPERATING CONTROLS & WIRING

| Item | Description | BTH 300(A) 300/301 | BTH 400(A) 300/301 | BTH 500(A) 300/301 |
|------|---------------------------------|-----------------------|-----------------------|-----------------------|
| 1 | CCB Board - Programmed | 9008907015 | 9008907015 | 9008907015 |
| 2 | Power Supply Board | 9008872005 | 9008872005 | 9008872005 |
| 3 | Transformer | 9008874005 | 9008874005 | 9008874005 |
| 4 | Blocked Intake Switch | 9008996015 | 9008996015 | 9008996015 |
| 5 | Blocked Outlet Switch | 9008905015 | 9008905015 | 9008905015 |
| 6 | Upper Temperature / ECO Probe | 100271885 | 100271885 | 100271885 |
| 7 | Powered Anode - Short | 9008936005 | 9008936005 | 9008936005 |
| 8 | Powered Anode - Long | 9006246005 | 9006246005 | 9006246005 |
| 9 | Spark Ignition Transformer | 100271921 | 100271921 | 100271921 |
| 10 | Junction Box Assembly w/Harness | 325118-004 | 325118-004 | 325118-004 |



CYCLONE MXi BTH 300(A)/400(A)/500(A) - GAS VALVE ASSEMBLY

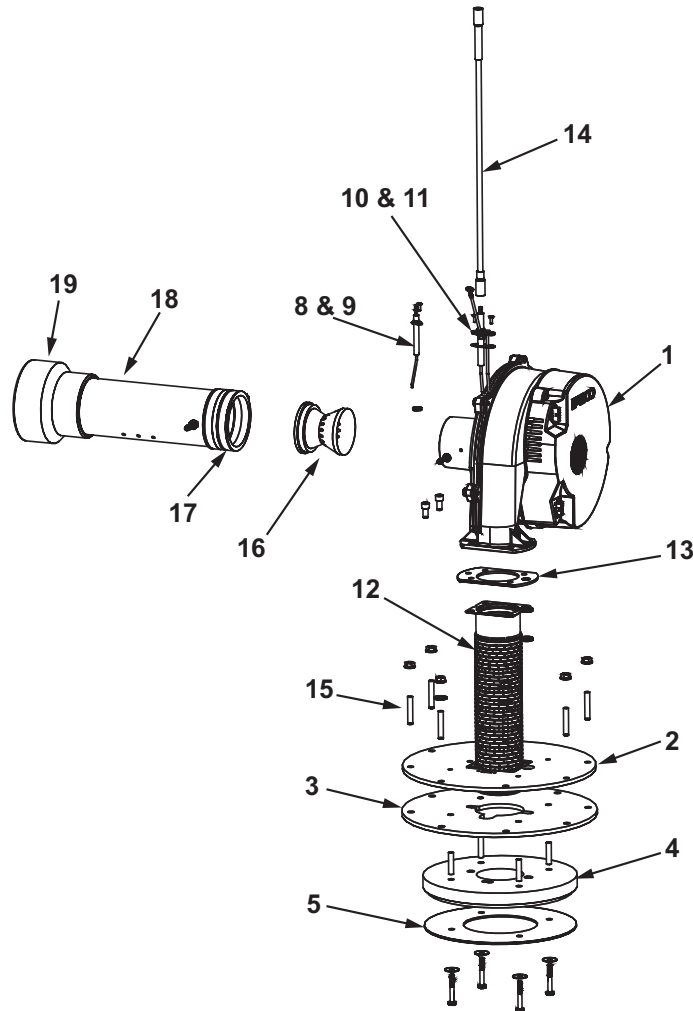
| Item | Description | BTH 300(A) 300/301 | BTH 400(A) 300/301 | BTH 500(A) 300/301 |
|------|--|-----------------------|-----------------------|-----------------------|
| 1 | Switch, Low Gas Pressure , Natural Gas | 9006256015 | 9006256015 | 9006256015 |
| | LP Gas..... | 9006255015 | 9006255015 | 9006255015 |
| 2 | Valve, Gas Natural & LP | 9008922005 | 9008922005 | 9008922005 |
| 3 | Rectifier Plug Assembly..... | 317069-000/IPO | 317069-000/IPO | 317069-000/IPO |



CYCLONE MXi BTH 300(A)/400(A)/500(A) BLOWER/BURNER ASSEMBLY

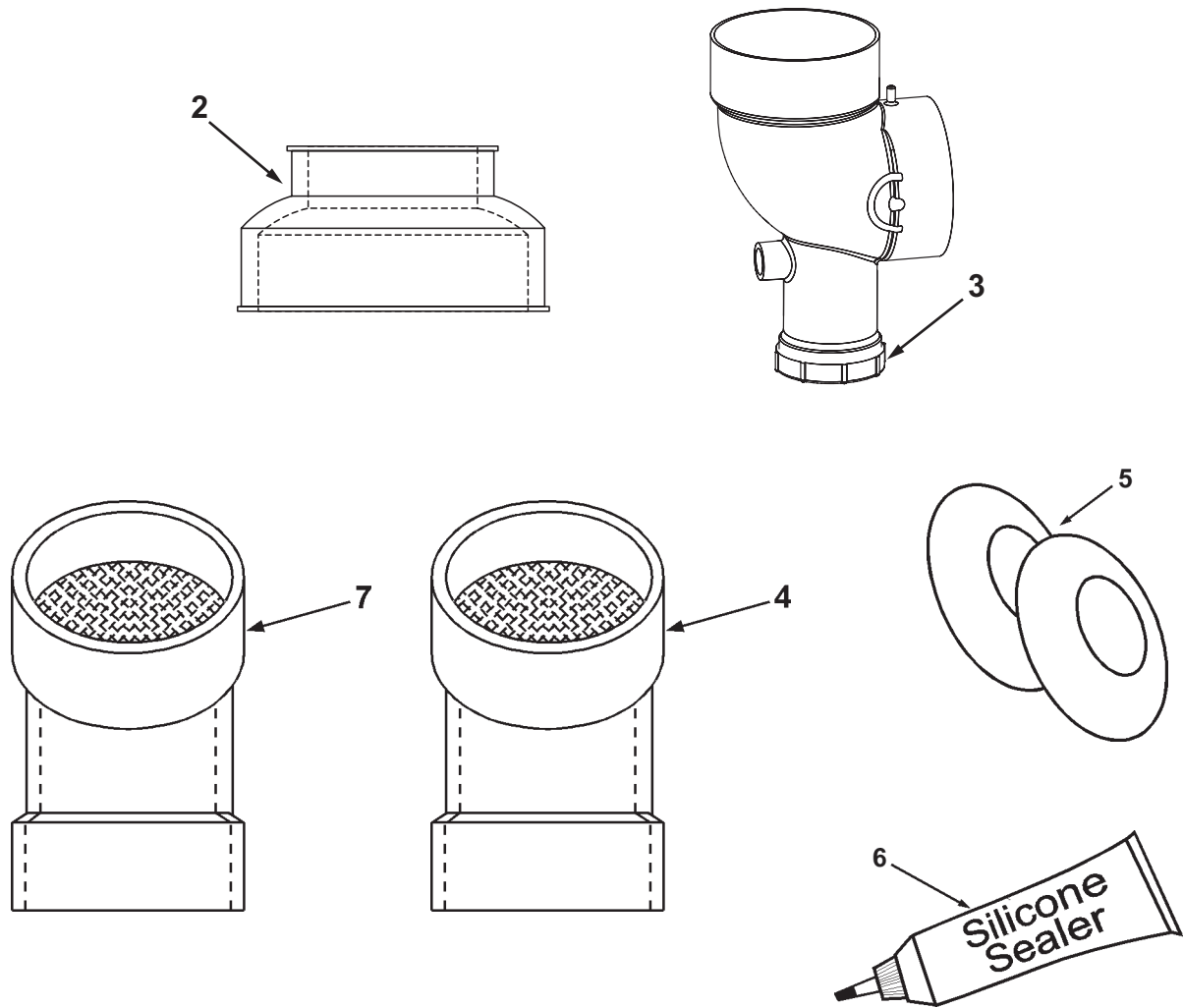
| Item | Description | BTH 300(A) | BTH 400(A) | BTH 500(A) |
|------|--------------------------------|------------|------------|------------|
| | | 300/301 | 300/301 | 300/301 |
| 1 | Blower Assembly | 100271887 | 100271887 | 100271887 |
| 2 | Burner Mounting Plate | 320713-001 | 320713-001 | 320713-001 |
| 3 | Burner Plate Gasket | 9008924005 | 9008924005 | 9008924005 |
| 4 | Insulation Disk -Pyrolite | 9008925015 | 9008925015 | 9008925015 |
| 5 | SS Heat Shield | 9008926015 | 9008926015 | 9008926015 |
| 6 | View Port - Glass (Not Shown) | 9006102215 | 9006102215 | 9006102215 |
| 7 | View Port Gasket (Not Shown) | 9006103215 | 9006103215 | 9006103215 |
| 8 | Flame Sensor Rod | 9008928015 | 9008928015 | 9008928015 |
| 9 | Flame Sensor Rod Gasket | 318532-000 | 318532-000 | 318532-000 |
| 10 | Spark Rod | 100271889 | 100271889 | 100271889 |
| 11 | Spark Rod Gasket | 321751-000 | 321751-000 | 321751-000 |
| 12 | Burner | 9008929005 | 9008929005 | 9008929005 |
| 13 | Burner/Blower Gasket | 9008930015 | 9008930015 | 9008930015 |
| 14 | Spark Ignition Cable* | 100271890 | 100271890 | 100271890 |
| 15 | Stud - 5/16-18 x 1-3/4" | 196881-001 | 196881-001 | 196881-001 |
| 16 | Blower Intake Venturi | 9008931015 | 9008931015 | 9008931015 |
| 17 | Rubber Coupling | 9006107205 | 9006107205 | 9006107205 |
| 18 | Intake Tube 3" PVC | 194923-006 | 194923-006 | 194923-006 |
| 19 | Blower Intake Reducer Assembly | 9008932005 | 9008932005 | 9008932005 |

*Supplied with Spark Igniter and Spark Ignition Transformer



4" EXHAUST CONNECTOR AND VENT KIT ASSEMBLIES - MODELS BTH 300(A) - 500(A)

| Item | Description | BTH 300(A) 300/301 | BTH 400(A) 300/301 | BTH 500(A) 300/301 |
|-----------------------------------|-----------------------------------|-----------------------|-----------------------|-----------------------|
| EXHAUST ELBOW AND FITTINGS | | | | |
| 1 | Exhaust/Condensate Elbow Assembly | 9008909005 | 9008909005 | 9008909005 |
| 2 | Connector, Exhaust | 9006111205 | 9006111205 | 9006111205 |
| 3 | Condensate Trap Gasket | 328019-000 | 328019-000 | 328019-000 |
| VENT KIT PARTS | | | | |
| 4 | Intake/Exhaust Vent Terminal | 9006112205 | 9006112205 | 9006112205 |
| 5 | Wall Plates (2 required) | 9006113205 | 9006113205 | 9006113205 |
| 6 | Silicone Sealer, 2 oz. tube | 9004365105 | 9004365105 | 9004365105 |
| 7 | Exhaust Vent Terminal (Canada) | 9006331005 | 9006331005 | 9006331005 |



NOTES:



A.O. Smith Water Heater Parts Fulfillment
125 Southeast Parkway
Franklin, TN 37068
1-800-433-2545
www.hotwater.com