

PROLINE® HIGH CAPACITY ATMOSPHERIC VENT COMMERCIAL-GRADE RESIDENTIAL

HIGHEST RECOVERIES

- Capacity/ input combinations up to 98 gallons/75,100 BTU's produce recoveries up to 81 gallons per hour

FULLY AUTOMATIC CONTROLS WITH SAFETY SHUTOFF

- Accurate, dependable control system requires no electric connections. Fixed automatic gas shutoff device for added safety.

GREEN CHOICE® GAS BURNER

- Patented eco-friendly burner design reduces NOx emissions by up to 33% and complies with Low- NOx emission requirements of 40 ng/l.

DYNACLEAN™ DIFFUSER DIP TUBE

- Reduces lime and sediment buildup and maximizes hot water output. Made from long-lasting PEX cross-linked polymer.

COREGARD™ ANODE ROD

- Our anode rods have a stainless steel core that extends the life of the anode rod allowing superior tank protection far longer than standard anode rods.

PUSH-BUTTON PIEZO IGNITOR

- Makes lighting the pilot fast and easy with one-hand push-button spark ignition.

NIPPLES

- Factory-installed for faster installation.

BLUE DIAMOND® GLASS COATING

- Provides superior corrosion resistance compared to industry standard glass lining.

ENHANCED-FLOW BRASS DRAIN VALVE

- Our residential water heaters have a solid brass, tamper resistant, enhanced-flow, ball type, drain valve.
- Uses a standard female hose fitting that allows for fast and easy draining during maintenance.
- Designed for easy operation, this valve includes an integral screwdriver slot that features a 1/4 turn (open/close) radius, which not only permits full straight-through water flow but also a quick and positive shut off

CODE COMPLIANCE

- Meets UBC, CEC and ICC National Codes.
- Meets the thermal efficiency and standby loss requirements of the U.S. Department of Energy and current edition of ASHRAE/IES 90.1.

CSA CERTIFIED AND ASME RATED T&P RELIEF VALVE

MAXIMUM HYDROSTATIC WORKING PRESSURE 150 PSI

DESIGN-LISTED BY CSA INTERNATIONAL

- Certified at 300 psi test pressure and 150 psi working pressure.
- Listed according to ANSI Z21.10.3 CSA 4.3 standards governing storage tank-type gas water heaters.

6-YEAR LIMITED TANK AND PARTS WARRANTY

- For complete information, consult written warranty or go to hotwater.com



Model Number	Nominal Capacity	Rated Storage Volume	UEF	First Hour Rating (Gallons)	BTU Input Natural Gas	Recovery @ 90°F Rise Gallon Per Hour	Dimensions in Inches									Approx. Shipping Weight (lbs)
							A	B	C	D	E	F	G	H	Draft Hood	
FCG-75*	74	71	0.60	125	75,100	81	61	58-1/2	26-1/2	15-3/16	16	50-1/4	15-1/2	50-1/4	4	270
FCG-100	98	95	0.58	170	75,100	81	68-1/2	66-1/2	27-3/4	15-3/16	16	57-3/8	N/A	N/A	4	340

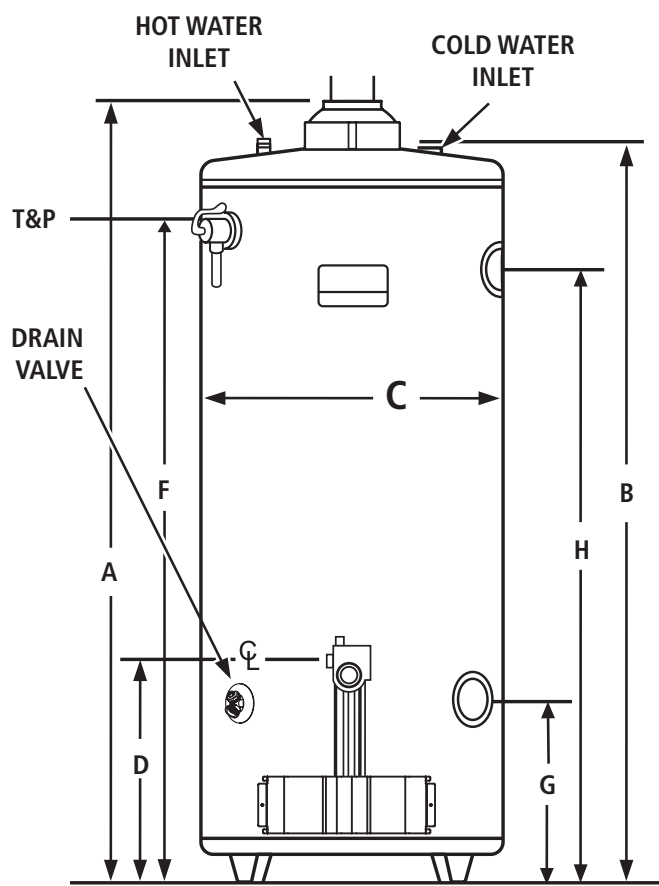
Water connections - 1" on FCG-75 and 1-1/4" on FCG-100

For 10-year tank and 10-year parts limited warranty, change "F" to "P" in model number (example: PCG-75).

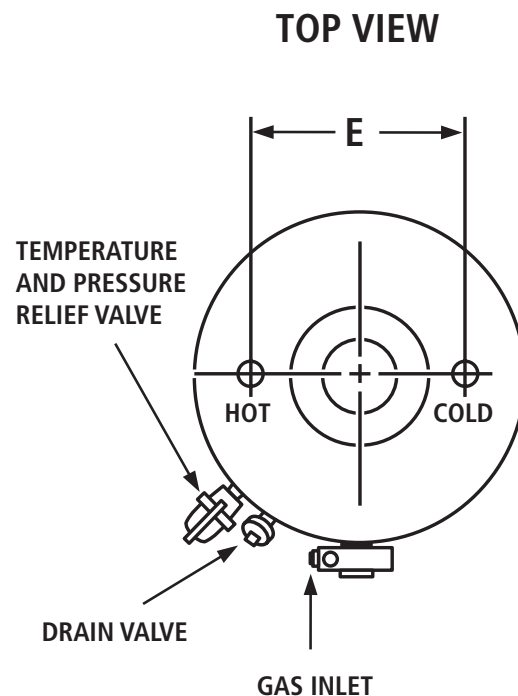
*For optional side-mounted recirculating taps, add "L" to the suffix of the model number (example: FCG-75L).

All models are certified from sea level to 7,700 ft. elevation.

Dimensions and specifications subject to change without notice in accordance with our policy of continuous product improvement.



FRONT VIEW



TOP VIEW

For Technical Information, call 800-527-1953. A. O. Smith Corporation reserves the right to make product changes or improvements without prior notice.