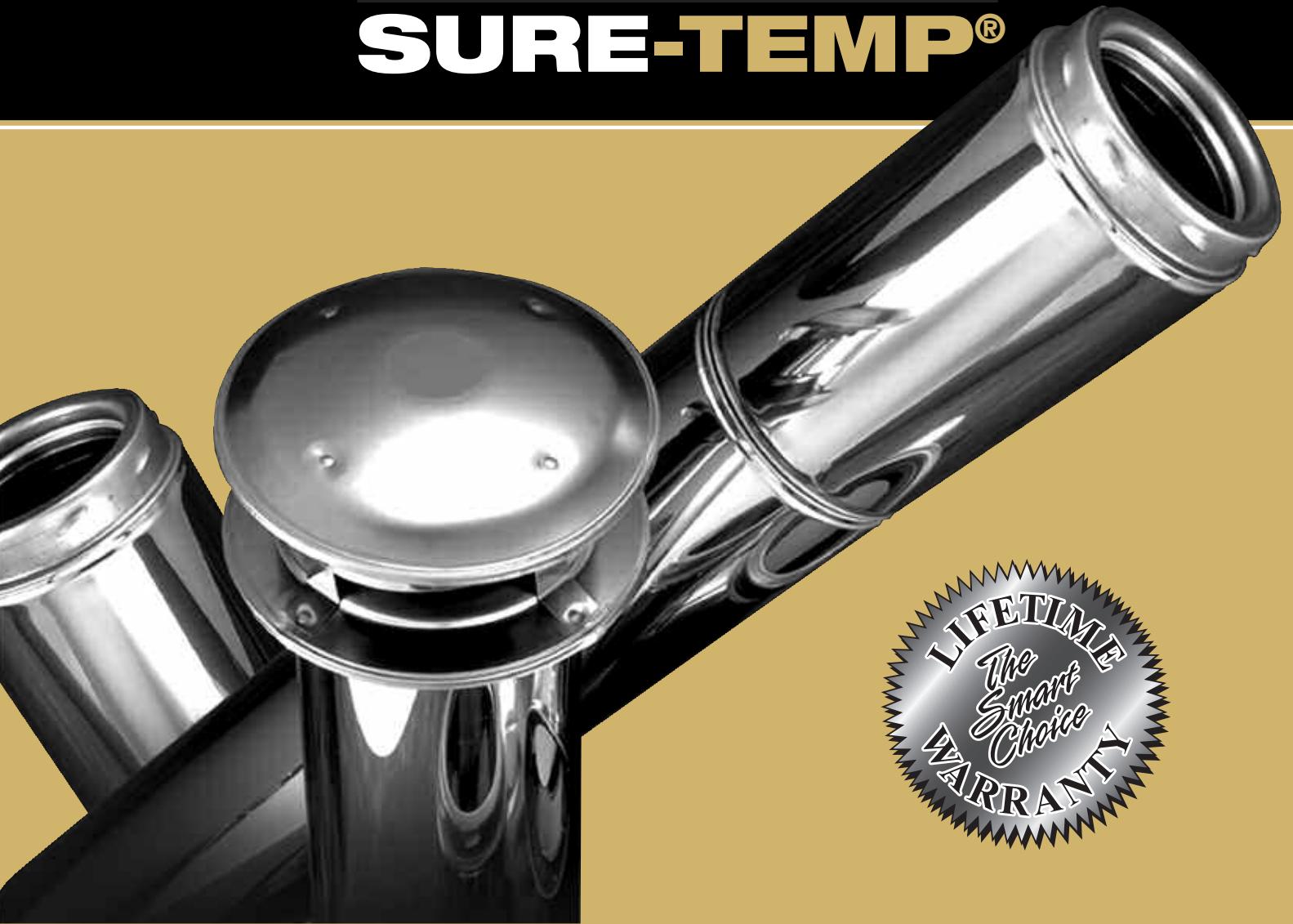


Premium[™]
◆ S E R I E S ◆
SURE-TEMP[®]



DOUBLE WALL INSULATED CHIMNEY SYSTEM

"THE COOLEST UNDER THE HOTTEST CONDITIONS..."

TABLE OF CONTENTS

	PAGE
SURE-TEMP® HT/SELKIRK®	
Premium™ Series Chimney	3-4
Chimney Kits	5
Chimney Parts Guide	6-13
Flashings for Various Roof Pitches	14
Chimney Selection Charts	15-16
Common Chimney Installations	16-18
MODEL DSP STOVE PIPE	
Double Wall Stove Pipe Chimney	19
DSP Stove Pipe Parts and Accessories Guide	20-22
Common Model DSP Stove Pipe Installations	22
MODEL VP PELLET PIPE™	
Model VP Pellet Pipe™ for Pellet and Corn Appliances	23
Model VP Parts Guide	24-26
Common Model VP Installations	27

CONDITION OF SALE

Guarantee

All venting products in this catalog are guaranteed to be free from defects in workmanship and material. Any products found defective may be returned at no charge (authorization required). All Selkirk L.L.C. products may be combined to achieve required discount levels.

Prices and Discounts

See our price list and discount sheet for current pricing information. Orders will be invoiced at prices in effect at the time the order is placed. All prices subject to change without notice.

Credit

Shipments will be made on open account to those firms with established credit ratings with us.

Responsibility

Selkirk L.L.C. cannot assume responsibility for loss or damages to products in transit or for delays of carriers delivering our products. In case of loss, visible or concealed damage, you as a consignee must report such loss to carrier at once and file a claim.

Returned Goods

No merchandise may be returned for credit without prior written permission, shipping instructions and return authorization number. All items authorized for return must be in new and resalable condition and transportation charges must be prepaid. A 25% restocking charge will be made on all returns to cover the costs of handling and inspection. Up to a 15% refurbishment charge will be applied as needed.

Broken Cartons

Any order requiring quantities of product less than a complete carton will be charged an additional fee.

Transportation

Method of transportation and shipping point will be decided by Selkirk L.L.C. If our customer requests special routing, the order will be shipped and prepaid. The difference between the two rates will be charged back.

Freight

All shipments are F.O.B. our facilities.

PREMIUM™ SERIES CHIMNEY

The rugged all-fuel chimney that makes every installation simple, fast and produces superior performance.



Selkirk® Chimney Systems Meet All UL® Requirements

This catalog includes the Sure-Temp® Type HT (5", 6", 7" & 8" size), and Selkirk® (10", 12" & 14" size) chimneys. Sure-Temp®-Type HT has been tested to 2100°F. This is the high temperature test option of Underwriters Laboratories Safety Standard for Factory-Built Chimneys, UL®-103. The Premium™ Series Chimney sizes 5, 6, 7 and 8 inch are not only UL® Listed as a "Type HT Chimney," but these sizes have passed additional exhaustive and stringent laboratory tests called for in UL®-103. 10, 12 and 14 inch sizes have been tested to UL®-103 maximum temperature of 1700°F and also comply with all UL®-103 Sixth Edition requirements. Installation and maintenance instructions for Selkirk® Chimneys provide installers and users with detailed and accurate information on important aspects of operating safety and performance.

Type HT Temperature Tests

Type HT Chimney is intended for maximum continuous operation at 1000°F flue gas temperature at two inches air space clearance to

enclosing combustible test structure. The chimney is also tested at 1400°F for a one-hour period. The important Type HT tests consist of three firings at 1000°F, long enough to obtain steady conditions, each followed immediately by 10 minutes at 2100°F. These tests were developed to assess a chimney's ability to prevent product damage or structural hazard during brief periods of excessive chimney temperature.

The Multi-Fuel Chimney

Type HT Chimneys are designed for gravity venting only. They are usable on any appliance having a power burner (such as an oil furnace) if that appliance operates with neutral or negative draft at its outlet. Non-residential appliances which may cause positive pressure in the chimney should use a Selkirk® Model PS or IPS commercial system.

All chimney sizes 10,12 and14 inches are ideal for venting gas (natural and LP), #2 oil, and open front wood burning appliances. Sure-Temp® HT and Selkirk come standard with a 430 series stainless inner liner.

Temperature Tests

The Selkirk® Chimney in 10, 12 and 14 inch sizes is also intended for normal continuous use not to exceed 1000°F. The laboratory tests for these larger sizes involve a total of four 10-minute firings at 1700°F.



IMPORTANT



This catalog references Premium™ Series Chimney Systems with maximum test temperatures under Underwriters Laboratories Safety Standard for Factory-Built Chimneys (UL®-103).

	Sure-Temp® HT	Selkirk®
Diameter Sizes:	5", 6", 7" & 8"	10", 12" & 14"
Clearances:	2" of Airspace to Combustibles	2" of Airspace to Combustibles
Temperature Ratings:	2100°F (Maximum Test 10 min.) 1400°F (Maximum for 60 min.) 1000°F (Maximum Continuous Operating Temperatures)	1700°F (Maximum Test 10 min.) 1400°F (Maximum for 60 min.) 1000°F (Maximum Continuous Operating Temperatures)

Insulation Factors

Special augured in mineral wool insulation filling the space between stainless steel walls is only one inch thick, yet it provides 17 times the insulating value of brick.

This optimum density of insulation stops expansion noises and resists and contains surges of heat. This allows the system to be enclosed with only two inch clearance to combustibles. It's a special blend of materials that has been thoroughly tested to meet our own strict standards. The "solid pack" density chimney pipe insulation comprises about 85% air. The mixture of extremely fine fibers traps this air in the pores of the insulation and also blocks radiation heat transfer. This accounts for the outstanding effectiveness of fully insulated Selkirk® chimneys.

Installation Ease

A Selkirk® Chimney system can easily be installed by one man. The lightweight pipe with threaded internal couplers locks together in seconds with a 1/8 turn. Locking Bands are furnished with every pipe length to assure complete joint security during cleaning or where the chimney must be sloped between offsets. Only a screwdriver is needed to tighten the Locking Band for normal pipe assembly. A

further advantage is that the pipe can be quickly taken apart without damage to the joints and can be reinstalled as easily as

	<u>OUTER</u>	<u>INNER</u>
Sure-Temp® HT - 5", 6", 7" & 8"	430	430
Selkirk® - 10", 12" & 14"	430	430

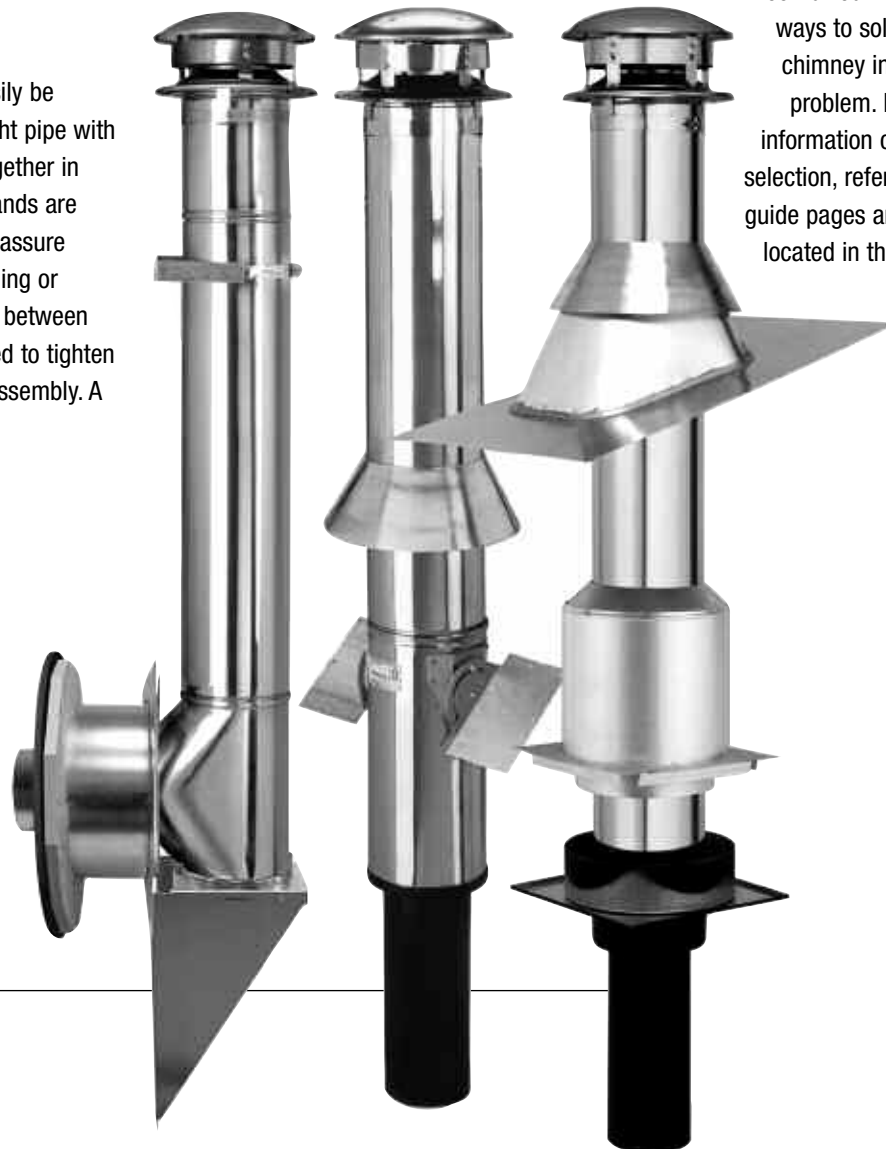
the first time. All parts and accessories have been designed for the most simple step-by-step installation. General installation instructions are furnished with all major support packages.

A System to Satisfy Any Installation Requirement

Selkirk® Chimney systems include a variety of components to meet every installation requirement. These components may be

combined in a variety of ways to solve almost any chimney installation problem. For additional information on part selection, refer to the guide pages and diagrams located in this catalog.

**Standard
Components
for Most
Every Job.**



**Thru-the-Wall
Support Kit
Assembly**

**Pitched Ceiling
Support Kit
Assembly**

**Flat Ceiling
Support Kit
Assembly**

SURE-TEMP® HT CHIMNEY KITS

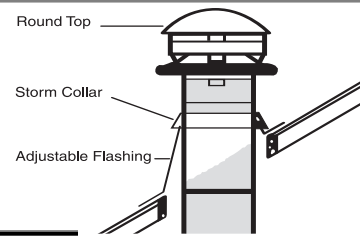
Four basic Chimney Kits designed around one of the standard support systems. Select the kit that is right for your installation, along with the required insulated pipe sections and you'll have what you need to complete most installations. Use DSP Stove Pipe for optimum system performance.

Basic Round Top Kit (RTK)

Includes the basic components for a standard installation. Contents: CT, AF-6 & SC

Product No.	Part No.	Dia.	Description
206600	6T-RTK	6"	ROOF TERMINATION KIT (2/12-6/12)
208600	8T-RTK	8"	ROOF TERMINATION KIT (2/12-6/12)

Contents:
 Round Top CT
 Storm Collar SC
 Adjustable Flashing AF-6



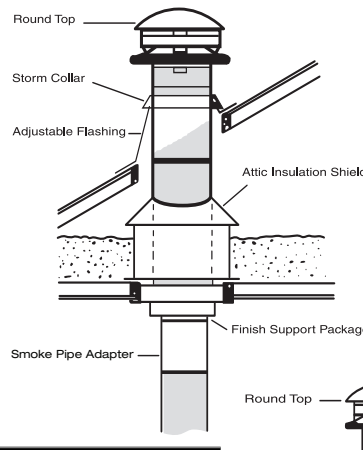
Flat Ceiling Support Kit (FCK)

Provides the support package and termination parts for a chimney that is supported by a flat ceiling that passes through an attic area and penetrates the roof.

Just add Pipe Lengths and the Flat Ceiling Support Kit (FCK) has all necessary parts for complete installation. However, it may be necessary to install a Roof Brace Kit to provide required support for your chimney above the roof.

An Attic Insulation Shield (AIS) is a required part of the installation even if you have no insulation in the area where your chimney passes through the attic. The only exception to this AIS installation is if you install a full enclosure around the chimney in the attic area with two-inch clearance.

Product No.	Part No.	Dia.	Description
206620	6T-FCK	6"	Flat Ceiling Support Kit
208620	8T-FCK	8"	Flat Ceiling Support Kit



Contents:
 Round Top CT
 Attic Insulation Shield AIS
 Storm Collar SC
 Finish Support Pkg. FSP
 Adjustable Flashing AF-6
 Smoke Pipe Adapter DSAC

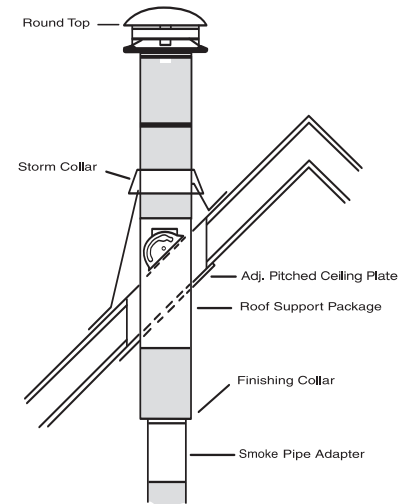
Pitched Ceiling Support Kit (PCK)

For installation of a chimney in a cathedral or pitched ceiling such as standard A-Frame construction.

The Pitched Ceiling Support Kit provides all necessary parts for a complete installation with the exception of the required Insulated Pipe Lengths and an Adjustable Flashing (AF). Selection of the Adjustable Flashing is determined by the pitch of your roof as explained on page 14. In calculating the number of insulated Pipe Lengths your chimney run requires, note that the Roof Support Package (RSP) comes with one 18 inch pipe length as part of the support.

Product No.	Part No.	Dia.	Description
206621	6T-PCK	6"	Pitched Ceiling Support Kit
208621	8T-PCK	8"	Pitched Ceiling Support Kit

Contents:
 Round Top CT
 Storm Collar SC
 Finishing Collar FC
 Roof Support Pkg. RSP
 Adj. Pitched Ceiling Plate PCPAJ
 Smoke Pipe Adapter DSAC



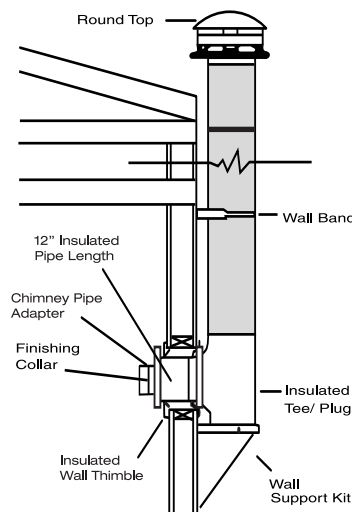
Thru-the-Wall Support Kit (TWK)

For a wall-supported chimney system with a horizontal connector passing through an exterior wall, connecting to a Tee and running vertically up the exterior wall to termination above the roof line.

The Thru-the-Wall Support Kit provides all necessary parts for a complete installation with the exception of required Insulated Pipe Lengths to reach your desired chimney height.

One Wall Band (WB) is included in the kit. Additional Wall Bands could be required if your vertical chimney run is more than 16 feet high. In the event that your vertical chimney run penetrates the roof eave, your installation could also require an Adjustable Flashing (AF) and Storm Collar (SC).

Product No.	Part No.	Dia.	Description
206622	6T-TWK	6"	Thru-the-Wall Support Kit
208622	8T-TWK	8"	Thru-the-Wall Support Kit



Contents:
 Round Top CT
 12" Insulated Pipe Length T-12
 Wall Band WB
 Insulated Tee/Plug IT
 Finishing Collar FC
 Wall Support Kit WSK
 Chimney Pipe Adapter CPA
 Insulated Wall Thimble IWT

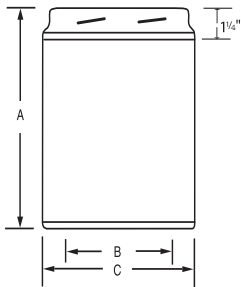
CHIMNEY PARTS GUIDE

The following section offers pictorial references, specifications and a brief description of major components to aid in the design of a Sure-Temp® - Type HT and Selkirk® Chimney Systems.



READ AND FOLLOW THE INSTALLATION INSTRUCTIONS WHEN INSTALLING ANY CHIMNEY SYSTEM.

Insulated Pipe



Sure-Temp® - TYPE HT

Size	Product No.	Part No.	A	B	C
5"	205006U	5UT-6	6"	5"	7"
	205009U	5UT-9	9"	5"	7"
	205018U	5UT-18	18"	5"	7"
	205036U	5UT-36	36"	5"	7"

Sure-Temp® - TYPE HT

Size	Product No.	Part No.	A	B	C
6"	206006	6T-6	6"	6"	8"
	206009	6T-9	9"	6"	8"
	206012	6T-12	12"	6"	8"
	206018	6T-18	18"	6"	8"
	206024	6T-24	24"	6"	8"
	206036	6T-36	36"	6"	8"
	206148	6T-48	48"	6"	8"

Sure-Temp® - TYPE HT

Size	Product No.	Part No.	A	B	C
7"	207006	7T-6	6"	7"	9"
	207009	7T-9	9"	7"	9"
	207012	7T-12	12"	7"	9"
	207018	7T-18	18"	7"	9"
	207024	7T-24	24"	7"	9"
	207036	7T-36	36"	7"	9"
	207148	7T-48	48"	7"	9"

Sure-Temp® - TYPE HT

Size	Product No.	Part No.	A	B	C
8"	208006	8T-6	6"	8"	10"
	208009	8T-9	9"	8"	10"
	208012	8T-12	12"	8"	10"
	208018	8T-18	18"	8"	10"
	208024	8T-24	24"	8"	10"
	208036	8T-36	36"	8"	10"
	208148	8T-48	48"	8"	10"

Selkirk®

Size	Product No.	Part No.	A	B	C
10"	210006U	10UT-6	6"	10"	12"
	210009U	10UT-9	9"	10"	12"
	210012U	10UT-12	12"	10"	12"
	210018U	10UT-18	18"	10"	12"
	210024U	10UT-24	24"	10"	12"
	210036U	10UT-36	36"	10"	12"

Selkirk®

Size	Product No.	Part No.	A	B	C
12"	212006U	12UT-6	6"	12"	14"
	212009U	12UT-9	9"	12"	14"
	212012U	12UT-12	12"	12"	14"
	212018U	12UT-18	18"	12"	14"
	212024U	12UT-24	24"	12"	14"
	212036U	12UT-36	36"	12"	14"

Selkirk®

Size	Product No.	Part No.	A	B	C
14"	214006U	14UT-6	6"	14"	16"
	214009U	14UT-9	9"	14"	16"
	214012U	14UT-12	12"	14"	16"
	214018U	14UT-18	18"	14"	16"
	214024U	14UT-24	24"	14"	16"
	214036U	14UT-36	36"	14"	16"

NOTE:

All insulated pipe lengths are furnished with a Locking Band.

LOCKING BAND

Product No.	Part No.
205450	5T-LB
206450	6T-LB
207450	7T-LB
208450	8T-LB
210450	10S-LB
212450	12S-LB
214450	14S-LB



CHIMNEY PARTS GUIDE

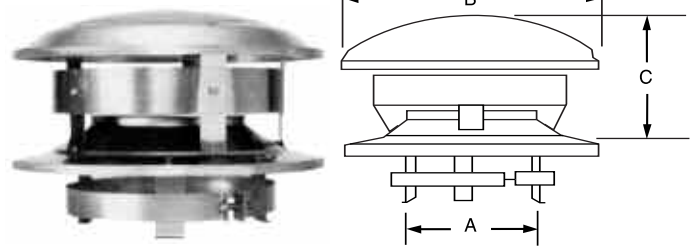
Round Top

Part of the chimney system roof assembly, the Round Top is designed with a dome to exclude rain and leaves and a lower skirt to deflect wind for proper chimney draft.

In the Sure-Temp® Type HT Chimney (5", 6", 7" and 8" sizes) the Round Top is designed with three legs that slide down over the outside of the chimney. A cinch band is then positioned over the legs and tightened to hold the top firmly in place. This design makes cap removal for cleaning a breeze.

In the 10, 12 and 14 inch sizes, the Round Top is designed with a squeeze collar that fits inside the chimney pipe. The squeeze collar expands as a set screw is tightened to hold the top firmly in place.

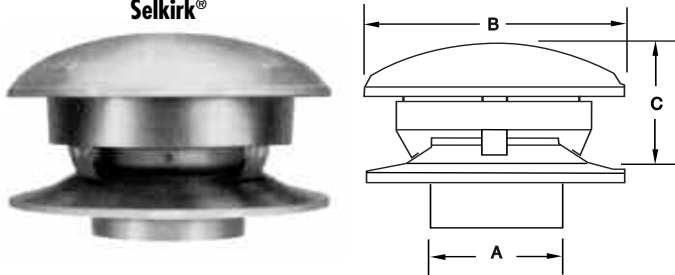
Sure-Temp® - Type HT



Sure-Temp®-Type HT

Product No.	Part No.	A	B	C
205800	5T-CT	7"	10"	5"
206800	6T-CT	8"	12"	5½"
207800	7T-CT	9"	14"	6¼"
208800	8T-CT	10"	16"	7"

Selkirk®



Selkirk®

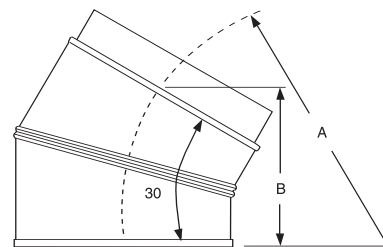
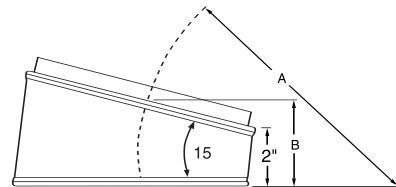
Product No.	Part No.	A	B	C
210800	10S-CT	10"	20"	8½"
212800	12S-CT	12"	24"	10"
214800	14S-CT	14"	28"	11½"

15°/30° Insulated Elbow Kits

15 degree Insulated Elbows can be used for fixed offsets of 15 degree slope or in pairs for offsets adjustable from zero degree to 30 degree slope. The 30 degree Insulated Elbow in 5, 6, 7 and 8 inch sizes can be used for fixed offsets of 30 degree slope. Greater angles are prohibited by UL® Standard 103 and by the terms of the product listing.

REQUIRED: Locking Bands (2 packaged with each elbow kit) allow 360 degree rotation and lock the components together in place at the exact offset required. Insulated Elbows can be used at the same two-inch air space clearance as chimney sections.

Now includes 2 Elbows, 2 Locking Bands, 1 Interior Resupport, and Couplers all in One Box!



Sure-Temp® - Type HT 15° EL Kits

Product No.	Part No.	A	B
205206	5T-EL 15 KIT	11⅝"	3⅝"
206206	6T-EL 15 KIT	11⅝"	3⅝"
207206	7T-EL 15 KIT	12½"	3⅝"
208206	8T-EL 15 KIT	12⅝"	3⅝"

Sure-Temp® - Type HT 30° EL Kits

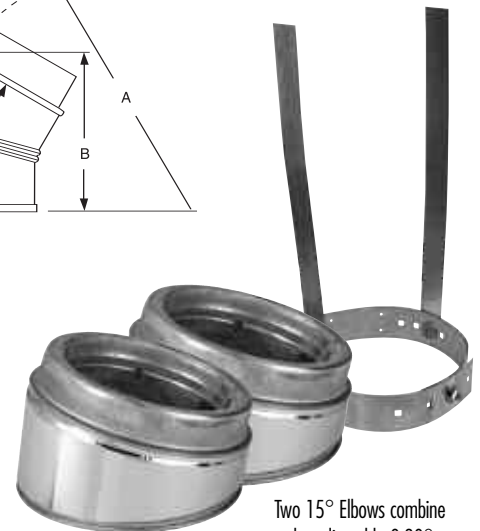
Product No.	Part No.	A	B
205211	5T-EL 30 KIT	12½"	6¼"
206211	6T-EL 30 KIT	12½"	6¼"
207211	7T-EL 30 KIT	13¾"	7"
208211	8T-EL 30 KIT	14¾"	7"

Selkirk® 15° EL Kits

Product No.	Part No.	A	B
210206	10S-EL 15 KIT	13⅝"	3⅝"
212206	12S-EL 15 KIT	14⅝"	3⅝"
214206	14S-EL 15 KIT	15⅝"	4"

Selkirk® 30° EL Kit

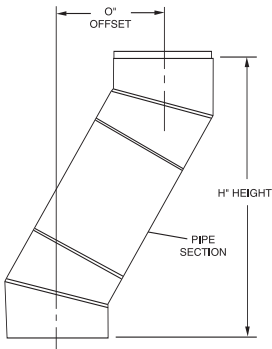
Product No.	Part No.	A	B
210211	10U-EL 30 KIT	15⅝"	8"



Two 15° Elbows combine to be adjustable 0-30°.

CHIMNEY PARTS GUIDE

Chimney Offset Table



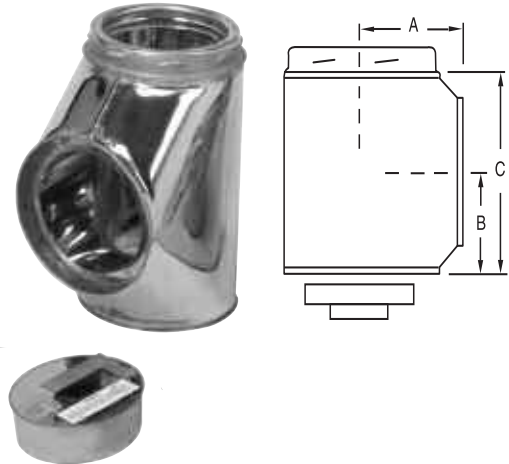
Part No.	2 Elbows w/o Pipe		2 Elbows + 6" Section		2 Elbows + 9" Section		2 Elbows + 12" Section		2 Elbows + 18" Section		2 Elbows + 24" Section		2 Elbows + 36" Section		2 Elbows + 48" Section	
	O	H	O	H	O	H	O	H	O	H	O	H	O	H	O	H
5ST - EL 15°	0.93"	7.03"	2.16"	11.62"	2.94"	14.52"	N/A	N/A	5.72"	23.21"	N/A	N/A	9.92"	40.60"	N/A	N/A
6ST - EL 15°	1.04"	7.88"	2.27"	12.47"	3.05"	15.37"	3.82"	18.26"	5.38"	24.06"	6.92"	29.85"	10.03"	41.25"	13.03"	53.04"
7ST - EL 15°	1.00"	7.62"	2.23"	12.21"	3.01"	15.11"	3.78"	18.00"	5.34"	23.80"	6.89"	29.59"	10.00"	41.19"	13.10"	52.78"
8ST - EL 15°	0.97"	7.36"	2.20"	11.95"	2.98"	14.85"	3.75"	17.74"	5.31"	23.54"	6.85"	29.33"	9.96"	40.93"	13.07"	52.52"
5ST - EL 30° (Two Pair of 15° EL)	3.64"	13.59"	6.02"	17.70"	7.52"	20.30"	9.02"	22.90"	12.02"	28.10"	15.02"	33.29"	21.02"	43.69"	27.02"	54.08"
6ST - EL 30° (Two Pair of 15° EL)	4.08"	15.23"	6.45"	19.34"	7.96"	21.94"	9.45"	24.54"	12.45"	29.74"	15.45"	34.93"	21.45"	45.33"	27.45"	55.72"
7ST - EL 30° (Two Pair of 15° EL)	3.95"	14.73"	6.33"	18.84"	7.83"	21.44"	9.33"	24.04"	12.33"	29.24"	15.33"	34.43"	21.33"	44.83"	27.33"	55.22"
8ST - EL 30° (Two Pair of 15° EL)	3.81"	14.23"	6.19"	18.34"	7.69"	20.94"	9.19"	23.54"	12.19"	28.74"	15.19"	33.93"	21.19"	44.33"	27.19"	54.72"
5ST - EL 30°	3.67"	13.75"	6.05"	17.86"	7.55"	20.46"	N/A	N/A	12.05"	28.26"	N/A	N/A	21.05"	43.84"	N/A	N/A
6ST - EL 30°	3.82"	14.26"	6.20"	18.37"	7.70"	20.97"	9.19"	23.57"	12.20"	28.76"	15.20"	33.96"	21.20"	44.35"	27.20"	54.75"
7ST - EL 30°	3.96"	14.76"	6.34"	18.87"	7.84"	21.47"	9.33"	24.07"	12.34"	29.26"	15.34"	34.46"	21.34"	44.85"	27.34"	55.25"
8ST - EL 30°	4.09"	15.26"	6.47"	19.37"	7.97"	21.97"	9.46"	24.57"	12.46"	29.76"	15.47"	34.96"	21.47"	45.35"	27.47"	55.75"
10ST - EL 15°	1.24"	9.43"	2.47"	14.02"	3.25"	16.92"	4.02"	19.81"	5.58"	25.61"	7.12"	31.40"	10.23"	43.00"	N/A	N/A
12ST - EL 15°	1.00"	7.72"	2.23"	12.31"	3.01"	15.21"	3.78"	18.10"	5.33"	23.90"	6.88"	29.69"	9.99"	41.28"	N/A	N/A
14ST - EL 15°	1.06"	8.25"	2.29"	12.84"	3.07"	15.74"	3.84"	18.63"	5.39"	24.43"	6.95"	30.22"	10.05"	41.82"	N/A	N/A

NOTE: O = Offset; H = Height

All dimensions and indicated lengths assume a 1.25" overlap 5" through 10"; 15 degree elbows are new 2 gore design.

Insulated Tee

The insulated Chimney Tee may be used to start chimneys indoors or outdoors using a Wall Support assembly or a masonry pier. A length of insulated chimney pipe is attached to the Tee snout, using a Locking Band to pass safely through combustible walls. An Insulated Tee Cap is included and can be removed from the bottom opening for inspection and cleanout. **Maximum** height of chimney which can be supported by an insulated Tee is 50 feet.



Insulated Tee Cap Only

Product No.	Part No.
205102	5T-IP
206102	6T-IP
207102	7T-IP
208102	8T-IP
210102	10S-IP
212102	12S-IP
214102	14S-IP

Stainless Insulated Tee with Insulated Tee Cap - Type HT

Product No.	Part No.	A	B	C
205100	5T-HT	6¼"	6¼"	12½"
206100	6T-HT	6¾"	6¾"	12¾"
207100	7T-HT	6¾"	6¾"	13¾"
208100	8T-HT	7¾"	7¾"	14¾"

Stainless Insulated Tee with Insulated Tee Cap

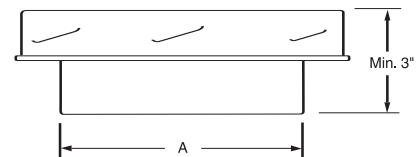
Product No.	Part No.	A	B	C
210100	10S-HT	8¾"	8¾"	16¾"
212100	12S-HT	9¾"	9¾"	18¾"
214100	14S-HT	10¾"	10¾"	20¾"

Chimney Pipe Adapter

To simplify chimney to single wall smoke pipe connections.

Product No.	Part No.	A
205240	5T-CPA	4.93"
256240*	6DSP-CPA	5.93"
258240*	8DSP-CPA	7.93"
210240	10S-CPA	9.93"

*NOTE: Refers to DSP Smoke Pipe.



CHIMNEY PARTS GUIDE

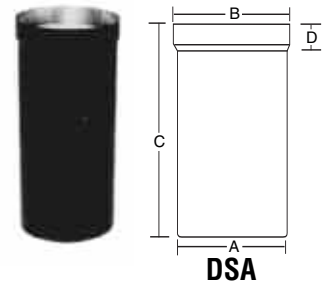
Dripless Smoke Pipe Adapters

Dripless Smoke Pipe Adapters are used to connect either Model DSP Smoke Pipe or single wall stove pipe to Sure-Temp®-Type HT insulated chimney pipe. The parts are designed to slip inside single wall stove pipe to contain any creosote dripping down the chimney on the inside of the pipe system.

There are two Dripless Smoke Pipe Adapters:

Dripless Smoke Pipe Adapter (DSA)—For use in retrofit installations, this part can be installed from below with a Finish Support Package and secured with screws.

Dripless Smoke Pipe Adapter w/Coupler (DSAC)—For use in new installations, this part can be installed by twist-locking the coupler on the DSAC into the first section of Sure-Temp®-Type HT chimney pipe.



DRIPLESS SMOKE PIPE ADAPTER

Product No.	Part No.	A	B	C	D
206242	6T-DSA	5.940"	6.210"	15.75"	1.625"
207242	7T-DSA	6.940"	7.210"	15.75"	1.625"
208242	8T-DSA	7.940"	8.210"	15.75"	1.625"

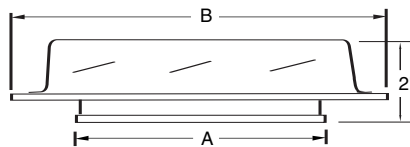
DRIPLESS SMOKE PIPE ADAPTER w/COUPLER

Product No.	Part No.	A	B
206240	6T-DSAC	5.940"	15.75"
207240	7T-DSAC	6.940"	15.75"
208240	8T-DSAC	7.940"	15.75"

Anchor Plate

The Anchor Plate provides a secure attachment for the chimney to smoke chamber outlet on masonry fireplaces, reducing footing loads and speeding construction. Stainless steel and heavy gauge steel construction for long life. Retains chimney with a twist-lock connection.

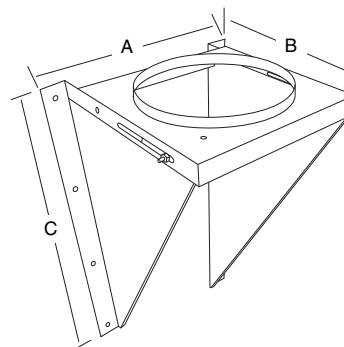
Product No.	Part No.	A	B
206400	6T-AP	6"	9¼"
207400	7T-AP	7"	10¼"
208400	8T-AP	8"	11¼"
210400	10S-AP	10"	13¼"
212400	12S-AP	12"	15¼"
214400	14S-AP	14"	17¼"



Wall Support Kit

The Type HT Wall Support Kit has been tested for use fully enclosed and has been designed in 5, 6, 7 and 8 inch sizes to carry up to 60 feet of height. The capacity of the larger sizes, 10, 12 and 14 inches, is 40 feet of chimney. The Wall Support is intended for use with the Insulated Tee as an interior or exterior support where the chimney has a lateral connection. It is also useful where the pipe connection passes through a combustible interior or exterior wall. Braces may only be fastened to the wall below the plate for chimneys which penetrate through the wall.

Product No.	Part No.	A	B	C
205430	5T-WSK	12"	9½"	17"
206430	6T-WSK	13"	10½"	17"
206430	7T-WSK	14"	11½"	17"
208430	8T-WSK	15"	12½"	17"
210430	10S-WSK	17"	14½"	21"
212430	12S-WSK	19"	16½"	23"
214430	14S-WSK	21"	18½"	27"



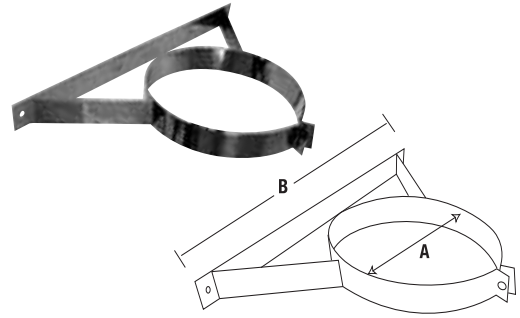
Now Supports 60 Vertical Feet at 2" from Wall.

CHIMNEY PARTS GUIDE

Wall Band

The Wall Band is used along the wall to provide for 2 inch clearance and assure stability. Also useful for suspending offsets. Required at 8 foot or closer intervals to stabilize the chimney wherever it is supported along a vertical wall.

Product No.	Part No.	A	B	Product No.	Part No.	A	B
205520	5T-WB	7"	17"	210520	10S-WB	12"	17"
206520	6T-WB	8"	17"	212520	12S-WB	14"	18"
207520	7T-WB	9"	17"	214520	14S-WB	16"	20"
208520	8T-WB	10"	17"				



Roof Support

An ideal support assembly for freestanding fireplaces and open cathedral ceiling installations. Fits all roof pitches* and requires only simple framing. Mounts easily onto top of roof through opening that allows 2 inch clearance. Maximum length of chimney which can be suspended below is 20 feet. Maximum total length is 30 feet.

The Roof Support Package (RSP) contains one 18" length of pipe, roof brackets and necessary hardware.

The roof brackets and hardware may be purchased without the pipe section by ordering a Roof Support Kit (RSK). The brackets may be assembled to any standard pipe length at any desired height.

Locking bands must be used at each pipe joint when installing either the RSP or RSK.

NOTE: Framing dimension for the installation of the RSK is identical to the RSP dimension.



Sure-Temp®-Type HT

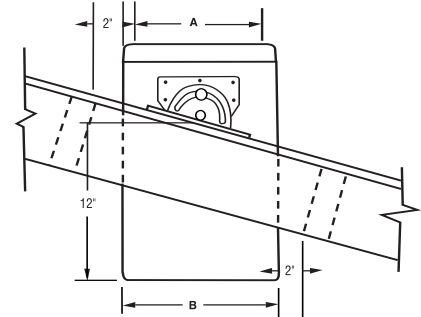
Product No.	Part No.	A	B	Framing
205420	5T-RSP	5"	7"	11" x t"
206420	6T-RSP	6"	8"	12" x t"
207420	7T-RSP	7"	9"	13" x t"
208420	8T-RSP	8"	10"	14" x t"

Selkirk®

Product No.	Part No.	A	B	Framing
210420	10S-RSP	10"	12"	16" x t"
212420	12S-RSP	12"	14"	18" x t"
214420	14S-RSP	14"	16"	20" x t"

*See Flashing Table for appropriate flashings on page 14.

t Dimension varies depending on pitch of roof.



UNIVERSAL ROOF SUPPORT KIT

Brackets and mounting hardware only

200420	RSK
--------	-----

Roof Brace Kit

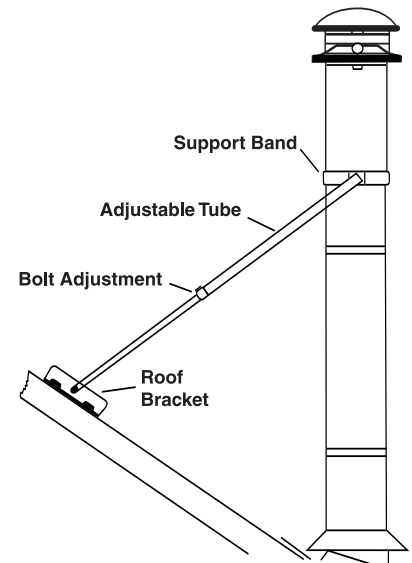
A Roof Brace Kit can be used whenever there is a need to stabilize the chimney above the roof level.

The Roof Brace Kit should be used at a midpoint on the chimney. Bracket adjusts from 4' to 6'.

UNIVERSAL ROOF BRACE KIT

Product No.	Part No.	Dia. Pipe
200240	URBK	5"-14"

Product No.	Part No.	Dia. Pipe	ROOF BRACE KITS REQUIREMENTS
206440	6T-RBK	6"	up to 4' None
207440	7T-RBK	7"	5' to 10' 1
208440	8T-RBK	8"	over 10' 1 every 5'



CHIMNEY PARTS GUIDE

Ceiling Supports

The Finish Ceiling Support (FSP) in 5", 6", 7" and 8" sizes, is available with either a round or square trim plate.

The Ceiling Support (CSP) in 10" size is unpainted on the back and comes with a square trim plate only.

With proper framing, all ceiling supports assure at least 2" minimum clearance to combustibles at the support level and can carry up to 50 feet of vertical chimney height.

Product No.	Part No.	A	B	C	D
		O.D.	Framing Dimensions	Plate Dimensions	From Ceiling
206410	6T-FSP	6¼"	12¼" x 12¼"	15¼"	3½"
207410	7T-FSP	7¼"	13¼" x 13¼"	15¼"	3½"
208410	8T-FSP	8¼"	14¼" x 14¼"	16¼"	3½"
205411	5T-CSPR	5¼"	11¼" x 11¼"	17"	3½"
206411	6T-FSPR	6¼"	12¼" x 12¼"	19"	3½"
207411	7T-FSPR	7¼"	13¼" x 13¼"	21"	3½"
208411	8T-FSPR	8¼"	14¼" x 14¼"	22"	3½"
210415	10S-CSP	10¼"	16¼" x 16¼"	18½"	3½"

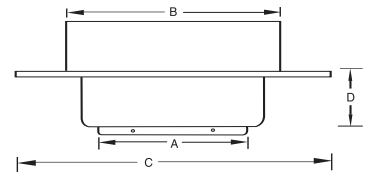
Black Matte Finish



CSP/FSP



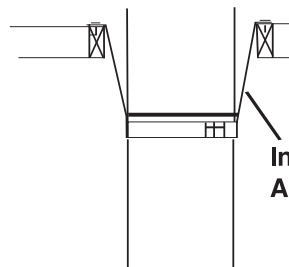
FSPR



Interior Resupport

Interior Resupport Assembly allows for two different methods of chimney resupport. The first method is used when an immediate section of chimney above the upper offset passes through a joist area. With the appropriate Fire Stop/Joist Shield) in place, clamp the support band around chimney and attach with six sheet metal screws. The second means of support is used primarily when the immediate sections of the upper offset do not pass through a joist area and resupport is necessary. The Support Band is clamped around the chimney immediately below a Locking Band. In both methods, the straps are nailed to suitable framing at two-inch clearance. The 18-foot limit of supportable chimney length applies.

Dia.	Product No.	Part No.
5"	205435	5T-IR
6"	206435	6T-IR
7"	207435	7T-IR
8"	208435	8T-IR
10"	210435	10S-IR
12"	212435	12S-IR
14"	214435	14S-IR



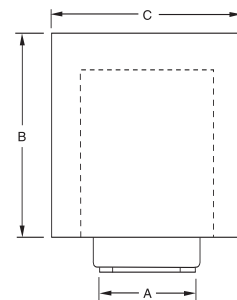
Interior Resupport Assembly (IR)



Support Box / Cathedral Ceiling Support

The Support Box is intended for use when installing a Sure-Temp® chimney in an A-frame, in a mobile home, or in a ceiling under a narrow section of roof. It provides a finished installation at the ceiling level and will support up to 20 feet of 6", 7" or 8" diameter chimney. The part also can be used to provide shielding from insulation when installed in an unoccupied attic space. The Support Box assembly is comprised of a black box designed for installation inside 16" O.C. joists, a cylindrical shield, support bucket, ceiling trim and four screws.

Product No.	Part No.	A	B	C
206424	6T-SB	6¼"	24"	14¼"
207424	7T-SB	7¼"	24"	14¼"
208424	8T-SB	8¼"	24"	14¼"



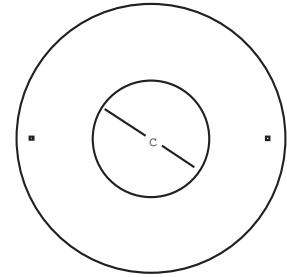
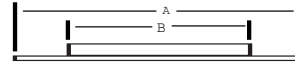
Black Matte Finish

CHIMNEY PARTS GUIDE

Trim Plate Spacer

When special shielding is required we have what you need. Trims the ceiling, closing off the airspace around the pipe.

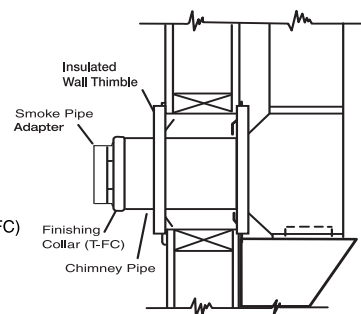
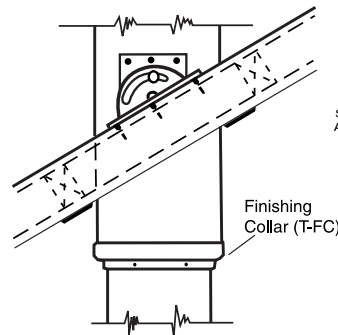
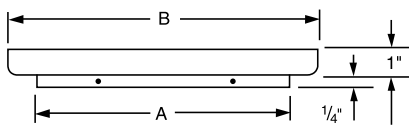
Product No.	Part No.	Dia.	A	B	C	Description
205488	5T-TPS	5"	—	11"	7 $\frac{1}{8}$ "	Trim Plate
206488	6T-TPS	6"	19"	12"	8 $\frac{1}{8}$ "	Trim Plate
207488	7T-TPS	7"	21"	13"	9 $\frac{1}{8}$ "	Trim Plate
208488	8T-TPS	8"	22"	14"	10 $\frac{1}{8}$ "	Trim Plate



Finishing Collar

Round collar fits over lower end of suspended insulated chimney pipe to provide finished appearance. Used to attach T-DSA Dripless Smoke Pipe Adapter to lower end of chimney or to insulated Tee.

Product No.	Part No.	A	B
206480	6T-FC	6 $\frac{1}{4}$ "	8"
207480	7T-FC	7 $\frac{1}{4}$ "	9"
208480	8T-FC	8 $\frac{1}{4}$ "	10"

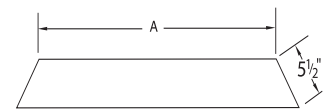


Black Matte Finish

Storm Collar

The Storm Collar is designed to fit on the round chimney pipe just above the roof flashing. The upper edge of the Storm Collar should be waterproofed with plastic sealer to prevent any water from leaking between the Storm Collar and chimney pipe. Part is tightened with screws or tabs after proper positioning.

Product No.	Part No.	A	Product No.	Part No.	A
206810	5/6T-SC	8"	210810	10S-SC	12"
208810	7/8T-SC	10"	212810	12S-SC	14"
			214810	14S-SC	16"

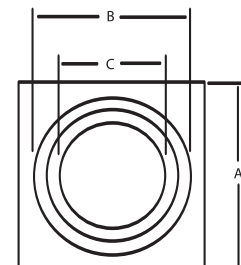
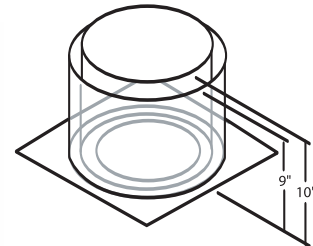


Attic Insulation Shield

Used wherever a Ceiling Support, Finish Support, or Fire Stop is installed below an open attic. The Insulation Shield is required to guard against the hazard of blown-in or blanket insulation filling any framed opening or contacting the chimney and possible storage of combustibles against the chimney. This adaptable design is ideal for both new and retrofit installations. The half cylinder passes easily through ceiling openings between 16" O.C. joists. Part can be removed without cutting if attic is converted to habitable space and chimney is fully enclosed. It can also be trimmed for reduced height installations close to eaves.

Product No.	Part No.	A	B
205490	5T-AIS	16"x16"	11"
206490	6T-AIS	16"x16"	12"
207490	7T-AIS	16"x16"	13"
208490	8T-AIS	16"x16"	14"
210490	10S-AIS	18"x18"	16"
212490	12S-AIS	20"x20"	18"
214490	14S-AIS	22"x22"	20"

Size	A	B	C
6"	8 $\frac{1}{8}$ "	10"	12"
7"	9 $\frac{1}{8}$ "	11"	13"
8"	10 $\frac{1}{8}$ "	12"	14"

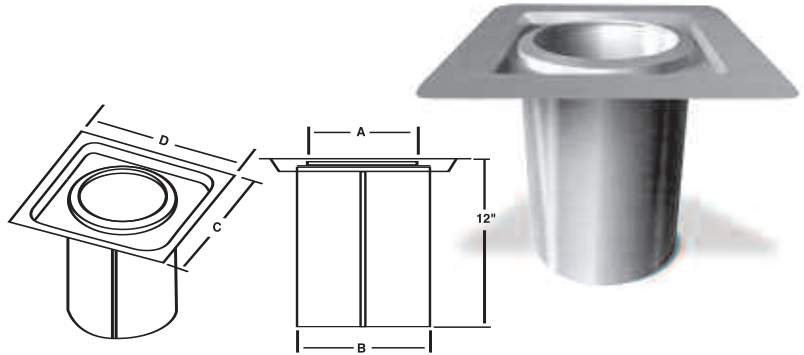


CHIMNEY PARTS GUIDE

Firestop/Joist Shield

When special shielding is required we have what you need.

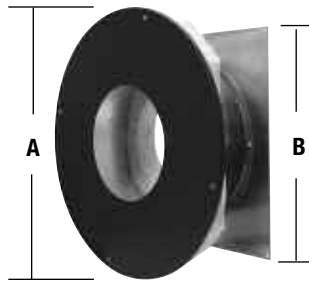
Product No.	Part No.	Dia.	A	B	C	D
205465	5T-JS	5"	7 $\frac{1}{8}$ "	9"	13"	11"
206465	6T-JS	6"	8 $\frac{1}{8}$ "	10"	14"	12"
207465	7T-JS	7"	9 $\frac{1}{8}$ "	11"	15"	13"
208465	8T-JS	8"	10 $\frac{1}{8}$ "	12"	16"	14"
210465	10T-JS	10"	12 $\frac{1}{8}$ "	14"	18"	16"
212465	12T-JS	12"	14 $\frac{1}{8}$ "	16"	20"	18"
214465	14T-JS	14"	16 $\frac{1}{8}$ "	18"	22"	20"



Insulated Wall Thimble

Our Insulated Wall Thimble installs quickly and eliminates the need for using individual firestops.

The round shielding acts as a radiation shield and provides the required 2 inch air space clearance to combustibles. The two sections telescope to accommodate 6 to 11 inch wall thickness.



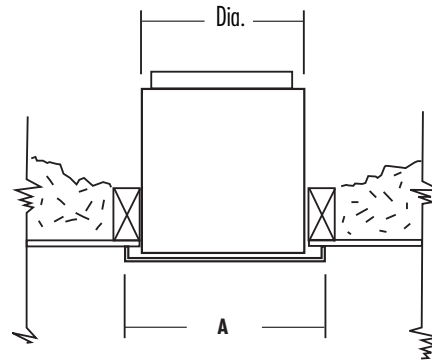
Product No.	Part No.	A	B	Opening Required
205463	5T-IWT	17"	16"	11 $\frac{1}{8}$ " by 11 $\frac{1}{8}$ "
206463	6T-IWT	19"	16"	12 $\frac{1}{8}$ " by 12 $\frac{1}{8}$ "
207463	7T-IWT	21"	16"	13 $\frac{1}{8}$ " by 13 $\frac{1}{8}$ "
208463	8T-IWT	22"	16"	14 $\frac{1}{8}$ " by 14 $\frac{1}{8}$ "
210463	10S-IWT	24"	18 $\frac{1}{4}$ "	16 $\frac{1}{8}$ " by 16 $\frac{1}{8}$ "
212463	12S-WT	20"	20"	18 $\frac{1}{8}$ " by 18 $\frac{1}{8}$ "
214463	14S-WT	24"	24"	20 $\frac{1}{8}$ " by 20 $\frac{1}{8}$ "

Mobile Home Shielding

When special shielding is required we have what you need.

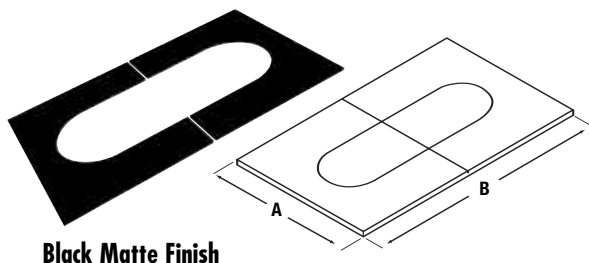
Product No.	Part No.	Dia.	Description	A
206470	6T-MH	6"	Mobile Home Joist Shield (flat)	14 $\frac{1}{4}$ "
207470	7T-MH	7"	Mobile Home Joist Shield (flat)	15 $\frac{1}{4}$ "
208470	8T-MH	8"	Mobile Home Joist Shield (flat)	16 $\frac{1}{4}$ "

Product No.	Part No.	Dia.	Description
206475	6T-MHCA	6"	Cathedral Adapter for T-MH (2/12-4/12)



Adjustable Pitched Ceiling Plate

The Pitched Ceiling Plate provides a finished appearance where the chimney passes through a sloped ceiling. Only two parts required to fit the full range of pitches.



Black Matte Finish

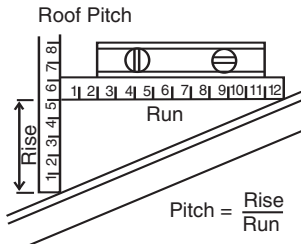
0/12 - 6/12 Pitch

Size	Product No.	Part No.	A	B
5"	205512	5T-PCPAJ	15 $\frac{1}{2}$ "	18-29"
6"	206512	6T-PCPAJ	16 $\frac{1}{2}$ "	19-30"
7"	207512	7T-PCPAJ	17 $\frac{1}{2}$ "	20-31"
8"	208512	8T-PCPAJ	18 $\frac{1}{2}$ "	21-33"
10"	210512	10S-PCPAJ	20 $\frac{1}{2}$ "	23-37"
12"	212512	12S-PCPAJ	22 $\frac{1}{2}$ "	25-41"
14"	214512	14S-PCPAJ	24 $\frac{1}{2}$ "	27-45"

6/12 - 12/12 Pitch

Size	Product No.	Part No.	A	B
5"				
6"	COMING SOON			
7"	Contact			
8"	Customer Service			
10"	for more info			
12"	800.992.8368			
14"				

FLASHINGS FOR VARIOUS ROOF PITCHES



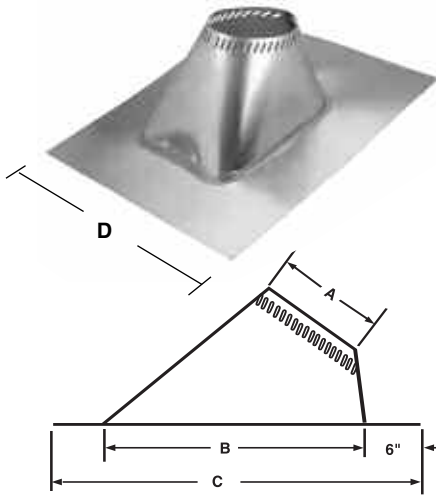
Flashings are used to seal the opening where the chimney penetrates the roof and to divert rain and snow down from the roof and away from the chimney system.

A series of adjustable flashings is available depending on your roof pitch. A flat and low pitch flashing is used to seal flat and low pitch roof (up to 2/12 pitch) openings.

To determine your roof pitch, measure the number of inches from the end of a level ruler down to the roof. This is the rise for 12 inches of run. A rise of 5 inches is a 5/12 pitch. . . 4 inches, a 4/12 pitch, etc.

Adjustable Flashing

Safety Vents on all Flashings



2/12 To 6/12 Pitch

Product No.	Part No.	A	B	C	D
206825	6TAF-6	8 ¹ / ₈ "	16 ¹ / ₂ "	28 ¹ / ₂ "	24"
207825	7TAF-6	9 ¹ / ₈ "	16 ¹ / ₂ "	28 ¹ / ₂ "	24"
208825	8TAF-6	10 ¹ / ₈ "	19 ¹ / ₈ "	31 ¹ / ₈ "	27"
210825	10SAF-6	12 ¹ / ₈ "	19 ¹ / ₈ "	31 ¹ / ₈ "	27"
212825	12SAF-6	14 ¹ / ₈ "	19 ¹ / ₈ "	36 ³ / ₈ "	36"
214825	14SAF-6	16 ¹ / ₈ "	19 ¹ / ₈ "	36 ³ / ₈ "	36"

6/12 To 12/12 Pitch

Product No.	Part No.	A	B	C	D
206830	6TAF-12	8 ¹ / ₈ "	19 ¹ / ₈ "	31 ¹ / ₈ "	27"
207830	7TAF-12	9 ¹ / ₈ "	19 ¹ / ₈ "	31 ¹ / ₈ "	27"
208830	8TAF-12	10 ¹ / ₈ "	19 ¹ / ₈ "	31 ¹ / ₈ "	27"
210830	10SAF-12	12 ¹ / ₈ "	25 ¹ / ₂ "	37 ¹ / ₂ "	36"
212830	12SAF-12	14 ¹ / ₈ "	28 ¹ / ₂ "	40 ¹ / ₂ "	36"
214830	14SAF-12	16 ¹ / ₈ "	31 ¹ / ₂ "	43 ¹ / ₂ "	36"

12/12 To 24/12 Pitch

Product No.	Part No.	A	B	C	D
206835	6TAF-24	8 ¹ / ₈ "	28 ³ / ₄ "	40 ³ / ₄ "	24"
207835	7TAF-24	9 ¹ / ₈ "	31 ¹ / ₄ "	43 ¹ / ₄ "	24"
208835	8TAF-24	10 ¹ / ₈ "	33 ³ / ₈ "	45 ³ / ₈ "	24"

24/12 To 36/12 Pitch

Product No.	Part No.	A	B	C	D
206840	6TAF-36	8 ¹ / ₈ "	41 ¹ / ₄ "	53 ¹ / ₄ "	24"
207840	7TAF-36	9 ¹ / ₈ "	44 ³ / ₈ "	56 ¹ / ₄ "	24"
208840	8TAF-36	10 ¹ / ₈ "	47 ³ / ₄ "	59 ³ / ₄ "	24"

NOTE: For 5 inch chimney use 6 inch Selkirk® Flashing with 5/6 inch storm collar.
All Flashings have .025 Aluminum Bases.



Dead Soft Flashing

2/12 To 6/12 Pitch

Product No.	Part No.	A	B	C	D
206845	6TAF6D	8 ¹ / ₈ "	16 ¹ / ₂ "	30"	33"
207845	7TAF6D	9 ¹ / ₈ "	16 ¹ / ₂ "	30"	33"
208845	8TAF6D	10 ¹ / ₈ "	19 ¹ / ₈ "	30"	33"



Universal Rubber Boot Flashing Adapter

Fits Up To 12/12 Pitch

Product No.	Part No.
200275	URBAK

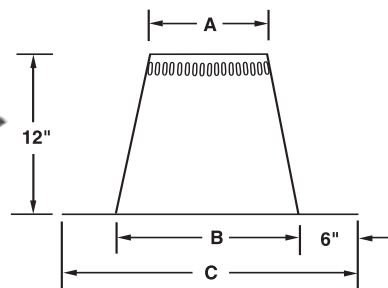
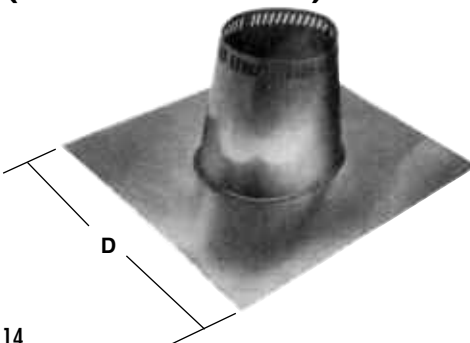


Universal Metal Roof Flashing Kit

Product No.	Part No.
200280	URFK

NOTE: Used in conjunction with a standard Selkirk® Flashing to seal the opening when penetrating a corrugated metal roof. Flashing sold separately.

Flat and Low Pitch Flashing (0 To 2/12 Pitch)



0 To 2/12 Pitch

Product No.	Part No.	A	B	C	D
206815	6TF	8 ¹ / ₈ "	12"	24 ³ / ₄ "	21"
207815	7TF	9 ¹ / ₈ "	15 ³ / ₄ "	27 ³ / ₄ "	24"
208815	8TF	10 ¹ / ₈ "	15 ³ / ₄ "	27 ³ / ₄ "	24"
210815	10S-TF	12 ¹ / ₈ "	17 ³ / ₄ "	29 ³ / ₄ "	29 ³ / ₄ "
212815	12S-TF	14 ¹ / ₈ "	20"	32"	32"
214815	14S-TF	16 ¹ / ₈ "	22 ¹ / ₄ "	34 ¹ / ₄ "	34 ¹ / ₄ "

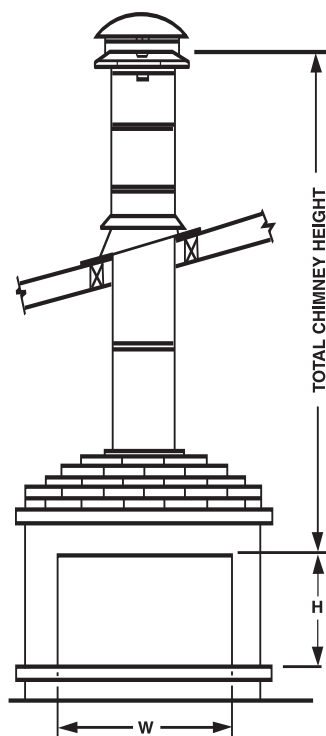
NOTE: All TF flashings come with a roof shield set.

CHIMNEY SELECTION CHARTS

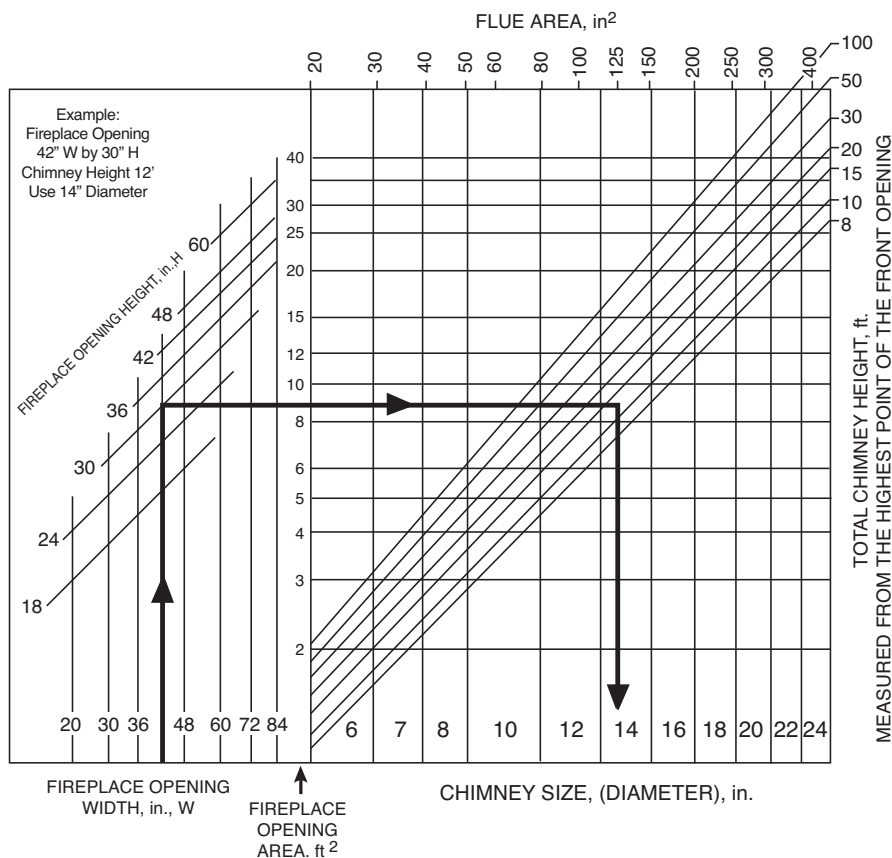
Pipe Length Selector Chart

Feet	Inches	Total in Inches	Chimney Size Installed Height	6 4 3/4	9 7 3/4	12 10 3/4	18 16 3/4	24 22 3/4	36 34 3/4	48 46 3/4
	4 3/4	4 3/4		1						
	7 3/4	7 3/4			1					
	10 3/4	10 3/4				1				
1	1 1/2	12 1/2		1	1					
1	4 3/4	16 3/4					1			
1	6 1/2	18 1/2			1	1				
1	10 3/4	22 3/4						1		
1	11 1/4	23 1/4		1	1	1				
2	10 3/4	34 3/4							1	
2	11 1/4	35 1/4			1	1	1			
3	3 1/2	39 1/2		1					1	
3	6 1/2	42 1/2			1				1	
3	9 1/2	45 1/2				1			1	
3	10 3/4	46 3/4								1
4	2 1/4	50 1/4				1	1	1		
4	3 1/2	51 1/2					1		1	
4	3 1/2	51 1/2		1						1
4	6 1/2	54 1/2			1					1
4	9 1/2	57 1/2				1				1
5	3 1/2	63 1/2					1			1
5	9 1/2	69 1/2						1		1
5	9 1/2	69 1/2							2	
6	9 1/2	81 1/2							1	1
7	2 1/4	86 1/4					1		2	
7	8 1/4	92 1/4						1	2	
7	8 1/4	92 1/4						1	2	
7	9 1/2	93 1/2								2
8	8 1/4	104 1/4				1				2
9	2 1/4	110 1/4					1			2
9	8 1/4	116 1/4						1		2
10	8 1/4	128 1/4							1	2
9	7	115				1			3	
10	1	121					1		3	
10	7	127						1	3	
11	8 1/4	140 1/4								3
12	7	151				1				3
13	1	157					1			3
13	7	163						1		3
14	7	175							1	3
11	7	139							4	
12	11 3/4	155 3/4					1		4	
13	5 3/4	161 3/4						1	4	
15	7	187								4
16	11 3/4	203 3/4					1			4
17	5 3/4	209 3/4						1		4
18	5 3/4	221 3/4							1	4
14	5 3/4	173 3/4							5	
16	4 1/2	196 1/2						1	5	
19	5 3/4	233 3/4								5
21	4 1/2	256 1/2						1		5
22	4 1/2	268 1/2							1	5
17	4 1/2	208 1/2							6	
19	3 1/4	231 1/4						1	6	
23	4 1/2	280 1/2								6
25	3 1/4	303 1/4						1		6
26	3 1/4	315 1/4							1	6

Fireplace Chimney Sizing Chart



NOTE: CANADA ONLY
Chimney offsets (5° & 2-90° turns)
Require 50% extra height or one
size larger pipe.



Chimney Sizing for Woodburning Stoves and Room Heaters

Use the stove outlet size or follow the instructions furnished with the appliance. **Offsets not to exceed 30° from vertical in the U.S.A.**

COMMON CHIMNEY INSTALLATIONS

Short or tall, large or small, there is a Selkirk® Chimney system to suit every need or appliance. The following diagrams are intended as a guide to proper part selection for several common chimney installations. Keep in mind that these diagrams do not show the exact details for installation of the various chimney parts. They supplement the instructions by illustrating a wider variety of complete chimney systems. While the primary emphasis in the diagrams is on solid-fuel appliances, the type of appliance originally selected must never affect the installation of the chimney.

Whether the chimney is initially connected to a gas, oil or wood-burning appliance, the parts used and clearances to combustibles are always the same. Remember that at some future time, the same chimney may serve a wood furnace, even if it started out with gas or oil.

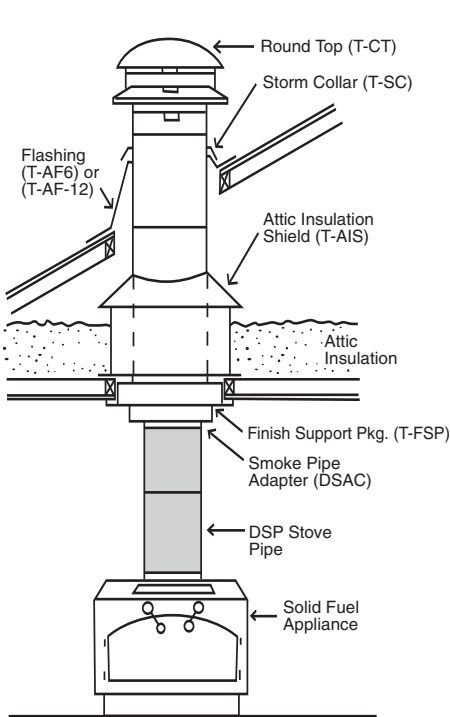
Many more possibilities for chimney systems exist than those shown here. Whether or not you find your exact planned chimney arrangement here, remember these basic rules, which are also emphasized in the installation instructions:

1. Use proper support and bracing for the entire system.
2. Maintain the minimum two-inch AIR SPACE clearance to combustibles and to any insulation.
3. For joint security use Locking Bands or screws for the chimney and its connector.
4. Enclose or protect the chimney to avoid contact, damage or hazards to furnishings.
5. Use only appliances which have been tested, "Listed" (or approved and inspected), and follow their instructions in every detail for your own protection.

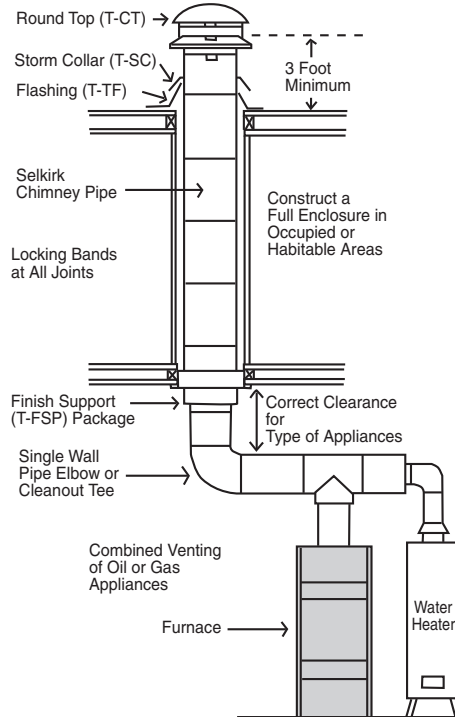
NOTE: The drawings shown of these installations are solely for assistance in product selection. Reference should be made to the Selkirk® Chimney system installation instructions for full and exact details of a correct installation.

Ideas For Your Chimney Installation

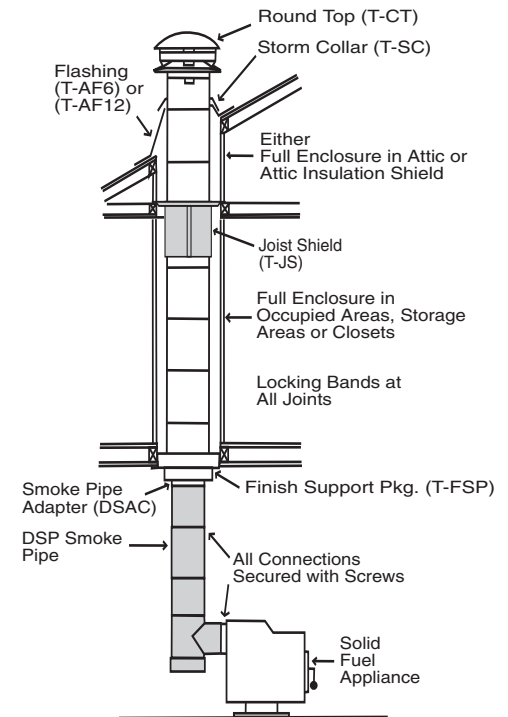
1. Solid Fuel Appliance with a short vertical chimney



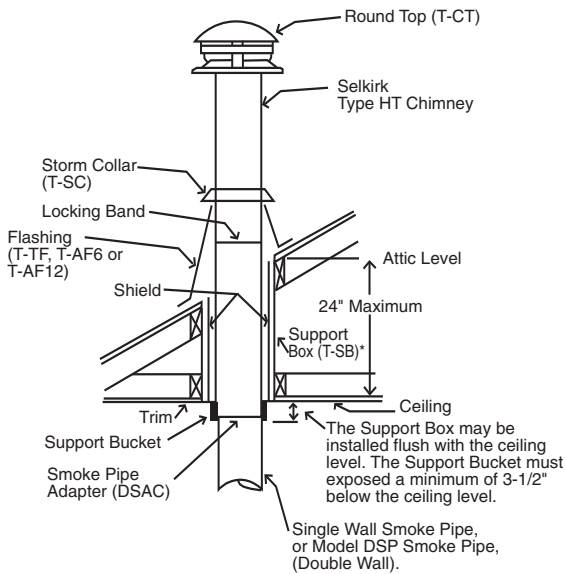
2. Combination of Furnace and Water Heater on one chimney



3. Wood Heater with its chimney through an upstairs enclosure

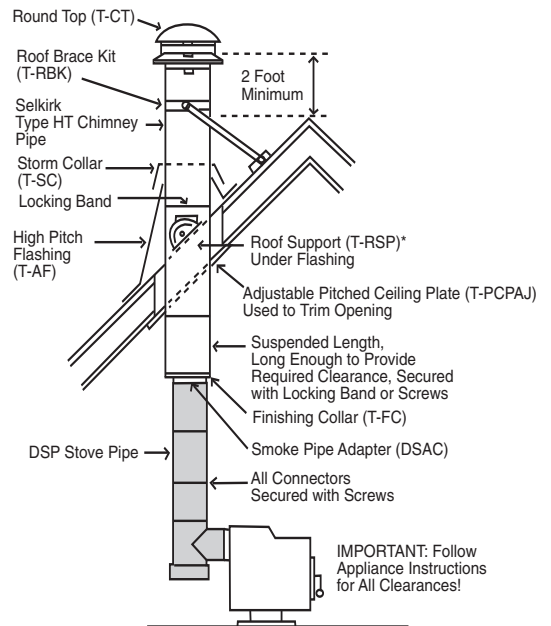


4. Pitched Roof with Attic



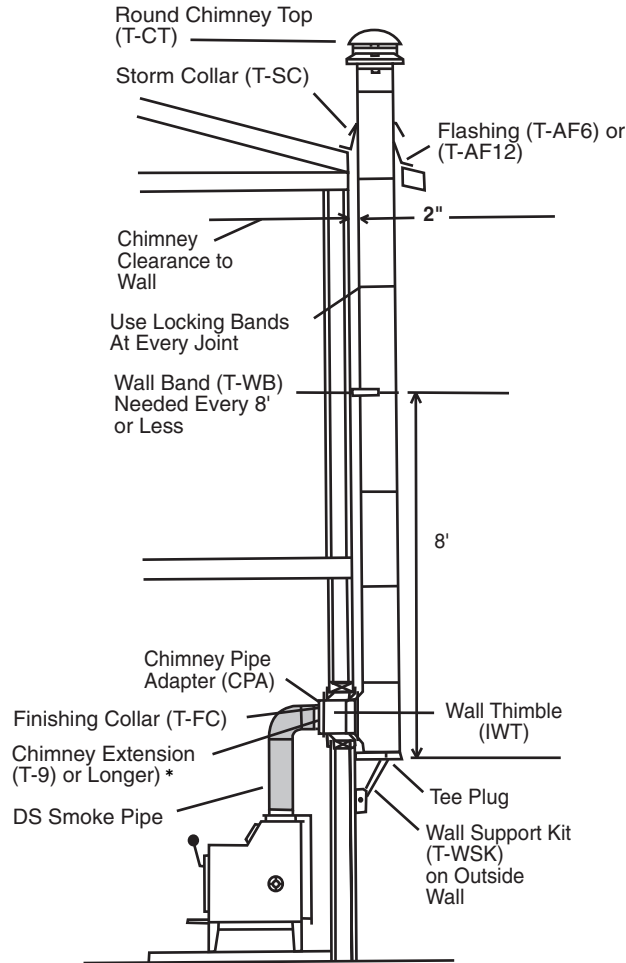
* Support box also intended for use in mobile home and A-frame installations

5. A-Frame with chimney on a steep pitch roof



* Support Box may also be used. Please consult installations instructions for more information.

6. Basement Heater with Tee-supported outside chimney

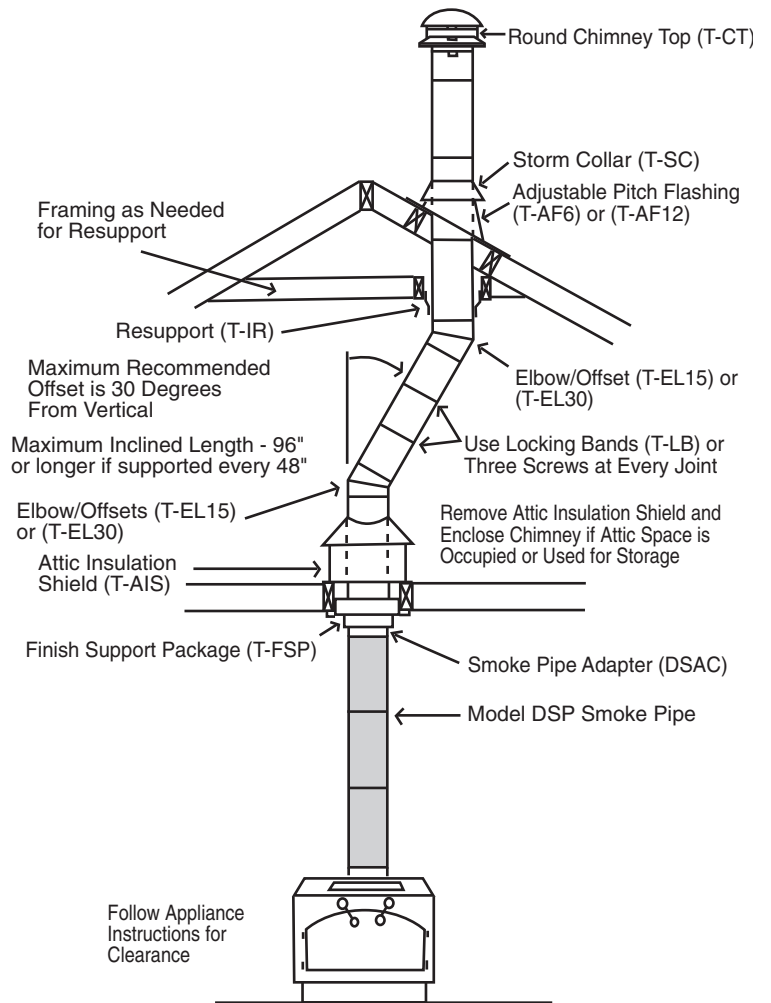


*The end of the chimney section must extend into the room a minimum of 4-1/2" beyond the face of the wall.

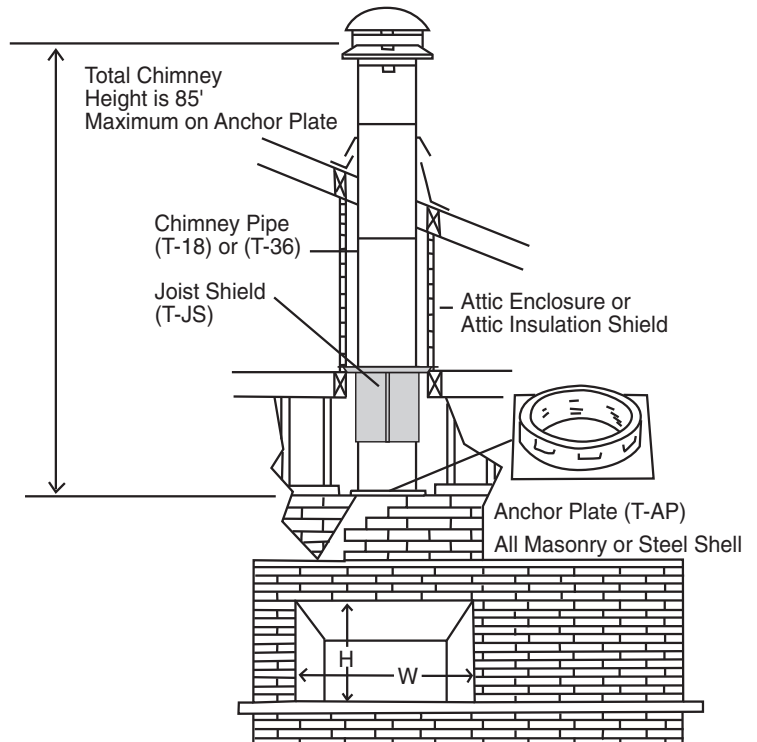
NOTE ON CHIMNEY/SMOKE PIPE CONNECTIONS

Most diagrams on pages 17 and 18 show Sure-Temp® Chimney systems connected to Selkirk® DSP double wall stove pipe using the Dripless Smoke Pipe Adapter (see page 9). Sure-Temp® Chimneys may be connected to single wall stove pipe.

7. Wood Stove with chimney offset to avoid ridge



8. Masonry Fireplace using Selkirk® Chimney



MODEL DSP STOVE PIPE

Double Wall Stove Pipe Chimney

Model DSP is a connector pipe that links your wood stove to an insulated chimney. The connector is an important component of a woodburning system because its correct size, arrangement and installation improve the performance and safety of the heating system.



Listed & Tested to ULC Standard S-641 and UL 103 Standards. Model DSP has an attractive outer black painted surface made of durable aluminized steel to withstand temperatures up to 1200 degrees F of continuous operation.

Double Wall Design Advantages

Better Insulating Value = Superior Stove Performance:

Double wall construction with a 1/4-inch air space between inner and outer pipes provides superior insulating value than single wall pipe. Better insulating value keeps flue gas temperatures higher. This helps your wood stove perform with an enhanced draft, which provides:

- Less chance of moisture or soot build up within the vent
- Reduced "smoking" of the stove at start up
- Increased efficiency

Superior Performance = Reduced Clearances (from 18" to only 6"):

Double Wall Stove Pipe not only keeps the flue temperatures higher, it keeps the outer pipe temperatures cooler. This allows Double Wall Stove Pipe to be installed with only 6-inch clearance to combustible materials. Single wall stove pipe requires an 18-inch clearance, which typically means your wood stove sits further away from the wall and takes up valuable space within the room.

Stainless Steel = Quality:

The Inner Liner of Model DSP is made from corrosion resistant 400 series Stainless Steel. Together with the Stainless Steel Insulated Chimney this combination forms an all-Stainless Steel system to help your wood stove perform safely and efficiently.

Double Wall Stove Pipe is listed to ULC S-641 and UL 103 Standards - your guarantee of safety.

Quality = Longer Life:

The premium materials used to construct Model DSP enable the manufacturer to offer a Lifetime Warranty. Single wall stove pipe is made from simple carbon steel and typically needs replacement every two or three years.

Advanced Design = Easy Installation:

Model DSP is available in a variety of lengths and elbows for ease of installation. Telescopic and Adjustable Lengths are available to eliminate cutting-to-size and help easily access the system for cleaning or inspection.

Premium Paint Finish = Better Value:

The black finish of Model DSP provides a very rich and distinguished appearance. Black enamel paint is used to provide a long lasting, brighter finish that also resists scratches.



Remove the "WEAK LINK" in your wood heating system. Install MODEL DSP Double Wall Stove Pipe.

MODEL DSP STOVE PIPE PARTS GUIDE

Adjustable Lengths



- Includes Finishing Band.
- Adjustable from 12" to 18".
- Used to adjust pipe to desired Length.
- Eliminates the need to cut pipe.
- For installed length, subtract 1-3/8" per joint.

Size	Product No.	Part No.	A	B	C	D	E
6"	266086	DSP6AL-1	5 ²⁹ / ₃₂ "	6 ¹ / ₂ "	6"	6 ¹³ / ₃₂ "	12 ¹ / ₂ " - 18"
8"	268086	DSP8AL-1	7 ²⁹ / ₃₂ "	8 ¹ / ₂ "	8"	8 ¹³ / ₃₂ "	12 ¹ / ₂ " - 18"

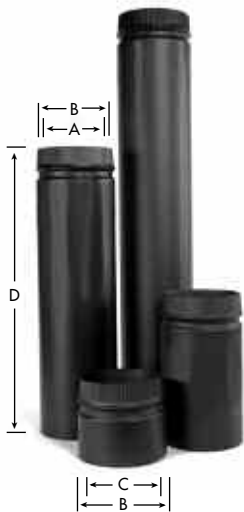
Vertical Installation Kit



- Includes everything you need for most Ceiling supported installations with Sure-Temp® Chimney.
- Kit Includes:
 - Sure-Temp® Chimney Adapter (T-CPA)
 - DSP Telescopic Length - adjusts from 38" to 68" (DSP-TL)
 - DSP Finishing Band

Size	Product No.	Part No.
6"	266610	DSP6VK
8"	268610	DSP8VK

Fixed Lengths



- Available in lengths of 6", 12", 24" and 36".
- 3 metal screws supplied with each length.
- For installed length, subtract 1-3/8" per joint.

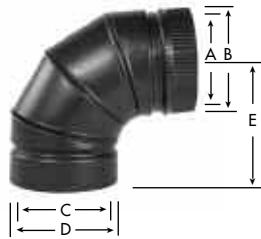
Size	Product No.	Part No.	A	B	C	D
6"	266006	DSP6P6-1	5 ²⁹ / ₃₂ "	6 ¹ / ₂ "	6"	6"
	266012	DSP6P12-1	5 ²⁹ / ₃₂ "	6 ¹ / ₂ "	6"	12"
	266024	DSP6P24-1	5 ²⁹ / ₃₂ "	6 ¹ / ₂ "	6"	24"
	266036	DSP6P36-1	5 ²⁹ / ₃₂ "	6 ¹ / ₂ "	6"	36"

Size	Product No.	Part No.	A	B	C	D
8"	268006	DSP8P6-1	7 ²⁹ / ₃₂ "	8 ¹ / ₂ "	8"	6"
	268012	DSP8P12-1	7 ²⁹ / ₃₂ "	8 ¹ / ₂ "	8"	12"
	268024	DSP8P24-1	7 ²⁹ / ₃₂ "	8 ¹ / ₂ "	8"	24"
	268036	DSP8P36-1	7 ²⁹ / ₃₂ "	8 ¹ / ₂ "	8"	36"

ALL DSP COMPONENTS ARE INDIVIDUALLY PACKED TO PROTECT PAINTED SURFACES.

MODEL DSP STOVE PIPE PARTS GUIDE

90 Degree Elbow



- Used to offset Double Wall Stove Pipe toward insulated chimney in a through the wall installation.
- Non-positional connection system allows 360° rotation.

Size	Product No.	Part No.	A	B	C	D	E
6"	266230	DSP6E9K	5 ²⁹ / ₃₂ "	6½"	6"	6½"	9"
8"	268230	DSP8E9K	7 ²⁹ / ₃₂ "	8½"	8"	8½"	9"

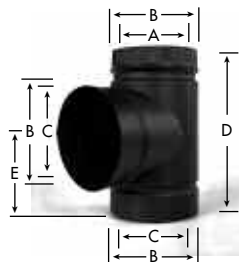
45 Degree Elbow



- Used to offset Double Wall Stove Pipe toward insulated chimney.
- Non-positional connection system allows 360° rotation.

Size	Product No.	Part No.	A	B	C	D	E
6"	266215	DSP6E4-1	5 ²⁹ / ₃₂ "	6½"	6"	6½"	6"
8"	268215	DSP8E4-1	7 ²⁹ / ₃₂ "	8½"	8"	8½"	8"

Tee



- Includes Cap.
- Used in conjunction with a vertical insulated chimney to provide easy access for inspection and cleaning.

Size	Product No.	Part No.	A	B	C	D	E
6"	266100	DSP6TE-1	5 ²⁹ / ₃₂ "	6½"	6"	13¾"	6"
8"	268100	DSP8TE-1	7 ²⁹ / ₃₂ "	8½"	8"	15¾"	7"

For the complete DSP product listing, order our DSP catalog – SDSP002-E



Model DSP vs Single Wall Stove Pipe Comparison Chart

PRODUCT	TESTED & LABELED	MATERIAL	CLEARANCES TO COMBUSTIBLE	WARRANTY
MODEL DSP DOUBLE WALL STOVE PIPE	TO ULC S641	HEAVY GAUGE STAINLESS STEEL/ ALUMINIZED STEEL	6 INCHES	LIFETIME WARRANTY
SINGLE WALL STOVE PIPE	NOT TESTED OR LABELED	LIGHT GAUGE CARBON STEEL	18 INCHES	NO WARRANTY*

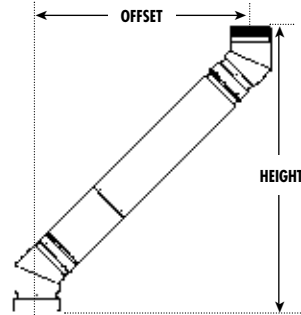
* If a wood burning appliance is used every day during the heating season, surveys have shown that a single wall stove pipe will need replacement every two or three years.

MODEL DSP STOVE PIPE

Model DSP Offset Chart

This chart has three columns for elbow angle required to achieve your desired offset. The first column ("Offset") is the horizontal measurement, at the chimney center line of the offset needed to get around an obstacle. The second column ("Height") is the height of the assembled offset elbow to the top of the return elbow. Column 3 shows the appropriate lengths required.

1. Determine the distance of the offset required.
2. On the chart, find the predetermined distance required for the 45° elbow under the corresponding chimney diameter.
3. After finding the offset, follow across the chart to find the specified height and appropriate chimney lengths required under their corresponding diameters.



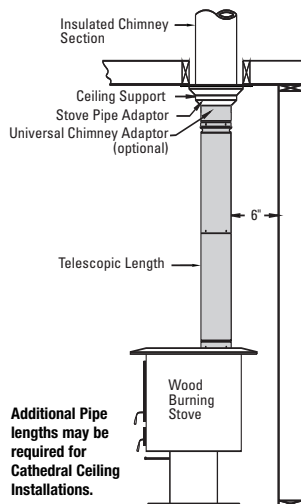
45 DEGREE OFFSET CHART

OFFSET			HEIGHT			LENGTHS REQUIRED BETWEEN ELBOWS					
6" Dia.	7" Dia.	8" Dia.	6" Dia.	7" Dia.	8" Dia.	6"	12"	AL	24"	36"	TL
6	6 $\frac{3}{4}$	6	13 $\frac{7}{8}$	14 $\frac{1}{2}$	14 $\frac{7}{8}$						
9 $\frac{1}{2}$	9 $\frac{3}{4}$	9 $\frac{1}{4}$	17	17 $\frac{3}{4}$	17 $\frac{1}{4}$	1					
13 $\frac{1}{2}$	13 $\frac{3}{4}$	13 $\frac{1}{4}$	21 $\frac{1}{8}$	22 $\frac{1}{8}$	21 $\frac{3}{4}$		1				
16 $\frac{3}{4}$	16 $\frac{3}{4}$	15 $\frac{5}{8}$	24 $\frac{5}{8}$	25 $\frac{1}{2}$	25 $\frac{3}{4}$	1	1				
17 $\frac{1}{4}$	17 $\frac{3}{4}$	17 $\frac{1}{2}$	25 $\frac{3}{4}$	26 $\frac{1}{4}$	25 $\frac{5}{8}$			1			
22 $\frac{3}{4}$	22	21 $\frac{1}{2}$	29 $\frac{1}{4}$	30 $\frac{1}{4}$	30 $\frac{3}{8}$				1		
25 $\frac{1}{2}$	25 $\frac{1}{4}$	24	31 $\frac{1}{2}$	33 $\frac{3}{4}$	34		1	1			
29 $\frac{1}{8}$	31 $\frac{1}{4}$	30 $\frac{3}{4}$	38 $\frac{3}{4}$	37 $\frac{3}{4}$	38 $\frac{3}{4}$					1	
32 $\frac{3}{8}$	31 $\frac{3}{4}$	32	40 $\frac{3}{8}$	42 $\frac{1}{2}$	41 $\frac{3}{4}$	1	1		1		
59 $\frac{3}{4}$	51	54 $\frac{1}{2}$	60 $\frac{1}{4}$	60 $\frac{1}{4}$	60						1

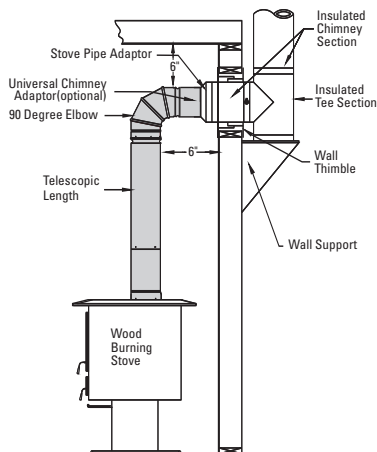
Common Installations



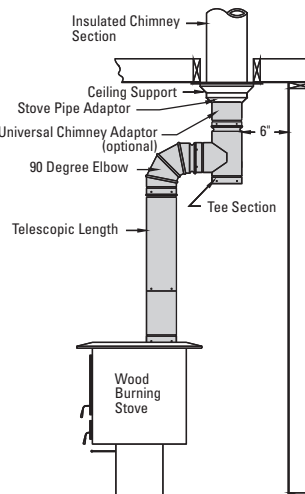
VERTICAL INSTALLATION



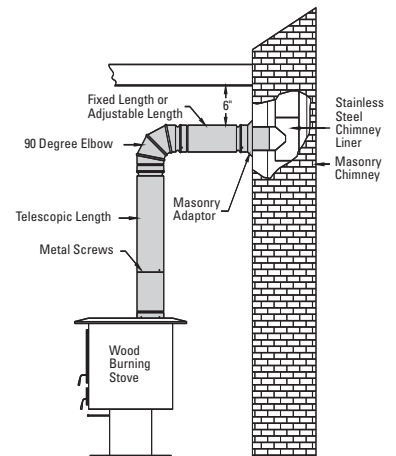
THROUGH THE WALL INSTALLATION



INSTALLATION WITH A CLEAN-OUT TEE



INSTALLATION INTO A RELINED MASONRY

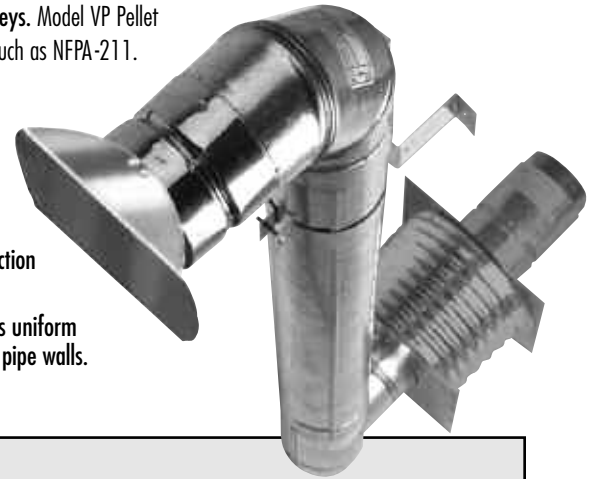


MODEL VP PELLET PIPE™

Model VP Pellet Pipe™ for Pellet and Corn Stove Applications

Selkirk® gives you the safe, efficient, and cost-effective venting system that's engineered precisely for pellet and corn burning stoves. Model VP Pellet Pipe™ has been tested and listed by Underwriters' Laboratories, Inc., in accordance with UL®- 641 **Standard for Low Temperature Venting Systems**, as well as the applicable requirements from UL®-103 **Standard for Residential Type and Building Heating Appliance Chimneys**. Model VP Pellet Pipe™, when installed according to Selkirk® installation instructions, complies with National Safety Standards, such as NFPA-211. The system is rated for flue temperatures up to 570°F.

- Available in 3" and 4" diameters.
- Full line of fittings and full range of pipe lengths increase installation flexibility.
- Proven coupling joint connects in seconds to assure joint integrity.
- Gasketed joint design.
- Painted pipe lengths available for interior use.
- Inner wall 304 stainless steel, outer wall paintable galvanized.
- Rolled-over male end eliminates sharp edges.
- 3" clearance to combustibles.
- Removable tee cap for inspection and cleaning.
- Internal spacing bead assures uniform insulating air space between pipe walls.



MINIMUM CLEARANCE TO COMBUSTIBLES

Selkirk® Model VP Pellet Pipe™ may be installed with a minimum 3" air space clearance to combustible surfaces, such as framing lumber, drywall, plywood, or other building materials. Model VP Pellet Pipe™ may be exposed in occupied areas and painted pipe lengths help make your venting system an attractive accent to your interior decor. However, your venting system should be enclosed whenever it passes through closets, storage rooms, or accessible attics to ensure that the minimum 3 inch air space clearance is maintained. This is particularly true in attics where cellulose-type or other blown-in Insulation materials could settle against the exposed vent pipe. It is also advisable to provide an enclosed chase for exterior vent systems to aid in reducing condensation and to protect the pipe from cold outdoor temperatures. Model VP Pellet Pipe™ features a proven joint design that allows for easy assembly. Special rope gaskets incorporated into the joint reduce leakage and help to minimize any accumulation of combustion powder residues. In addition, Model VP Pellet Pipe™ is listed for use with an optional, high temperature silicon sealant which enhances the integrity of the joint assembly. Selkirk® is the world's leading manufacturer of venting and air distribution products for residential, commercial, and industrial use. Model VP Pellet Pipe™ vent for pellet stoves is just one of the family of fine products sold worldwide. Selkirk® - it's a name you can rely on.

Thru-the-Wall Pellet Stove Kits

The 3VP Thru-the-Wall Pellet Kit has the following:

- 1 Horizontal Cap
- 1 90° Elbow
- 1 Wall Bracket
- 5 One-foot Pipe Lengths
- 1 Tee with Cleanout
- 1 Wall Thimble
- 1 Pipe Connector

Product No.	Part No.
283870	3VP-KIT

The 3/4VP Thru-the-Wall Pellet Kit has the following:

- 1 - 4" Horizontal Cap
- 1 - 4" 90° Elbow
- 1 - 4" Wall Bracket
- 5 - 4" One-foot Pipe Lengths
- 1 - 4" Tee with Cleanout
- 1 - 4" Wall Thimble
- 1 - 4" Tee Support
- 1 - 3" to 4" Pellet Increaser
- 1 - 4" Pipe Connector
- 1 - 3" Pipe Connector

Product No.	Part No.
284875	3/4VP-KIT

Pellet Fireplace Insert Kits

4" Pellet Vent Flex Kit has the following:

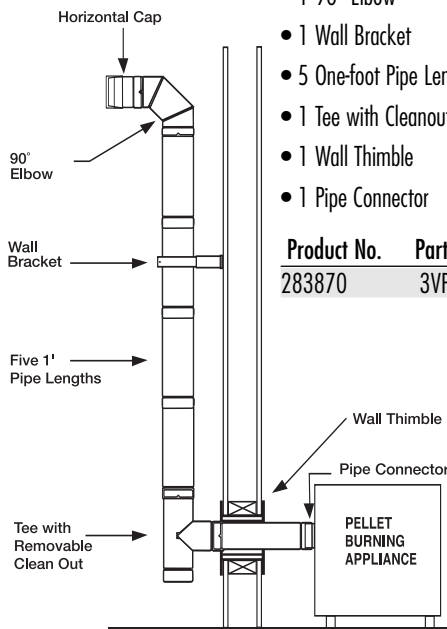
- 35' of 4" diameter stainless flex
- 4" flex termination
- 4" flex flashing adapter
- 4" flex flashing
- 3" - 4" Pellet Increaser
- 3" Pellet Tee
- 3" Pellet Pipe Connector
- Silicone sealant

Product No.	Part No.
284865	4VP-35IK

3" Pellet Vent Flex Kit has the following:

- 25' of 3" diameter stainless flex
- 3" flex termination
- 3" flex flashing adapter
- 3" flex flashing
- 3" Pellet Tee
- 3" Pellet Pipe Connector
- Silicone sealant

Product No.	Part No.
283865	3VP-25IK

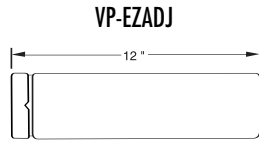


MODEL VP PELLET PIPE™ PARTS GUIDE

Vent Pipe & Adjustable Pipe Lengths



I.D.: 3", 4"
Lengths: 6", 1', 2', 3', 5'
VP PIPE & FITTINGS OVERLAP 1 1/2" WHEN JOINED HENCE,
NET ASSEMBLED LENGTH IS 1 1/2" LESS THAN LISTED
LENGTHS (3" AND 5" LENGTHS AVAILABLE IN BLACK)

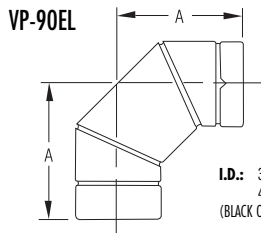


I.D.: 3", 4"
MAX. INSTALLED LENGTH 10 1/2"
ADJUST TO 8" SHORTER
(BLACK OR UNPAINTED)

Item Description	3" Diameter		4" Diameter	
	Product No.	Part No.	Product No.	Part No.
5' Length – Black	243060B	3VP-60B	244060B	4VP-60B
5' Length	243060	3VP-60	244060	4VP-60
3' Length – Black	243036B	3VP-36B	244036B	4VP-36B
3' Length	243036	3VP-36	244036	4VP-36
2' Length	243024	3VP-24	244024	4VP-24
12" Length	243012	3VP-12	244012	4VP-12
6" Length	243006	3VP-6	244006	4VP-6

Item Description	3" Diameter		4" Diameter	
	Product No.	Part No.	Product No.	Part No.
12" EZ Adj. – Black	243086B	3VP-EZA12B	244086B	4VP-EZA12B
12" EZ Adj.	243086	3VP-EZA12	244086	4VP-EZA12

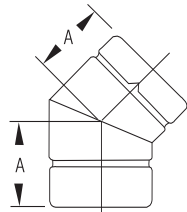
90° Elbow



I.D.: 3" – A=5 13/16"
4" – A=6 7/16"
(BLACK OR UNPAINTED)

Item Description	3" Diameter		4" Diameter	
	Product No.	Part No.	Product No.	Part No.
90° Elbow – Black	243230B	3VP-90°ELB	244230B	4VP-90°ELB
90° Elbow	243230	3VP-90°EL	244230	4VP-90°EL

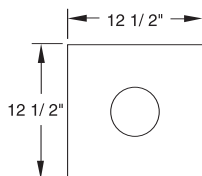
45° Elbow



I.D.: 3" – A=3 7/16"
4" – A=3 3/4"
(BLACK OR UNPAINTED)

Item Description	3" Diameter		4" Diameter	
	Product No.	Part No.	Product No.	Part No.
45° Elbow – Black	243215B	3VP-45°ELB	244215B	4VP-45°ELB
45° Elbow	243215	3VP-45°EL	244215	4VP-45°EL

Trim Plate & Exterior Shield



I.D.: 3", 4"

Item Description	3" Diameter		4" Diameter	
	Product No.	Part No.	Product No.	Part No.
Trim Plate – Black	243502	3VP-TP	244502	4VP-TP
Exterior Shield	243500	3VP-ES	244500	4VP-ES

VP-TP (BLACK)

VP-ES (UNPAINTED)

Vacuum Cleanout Cap

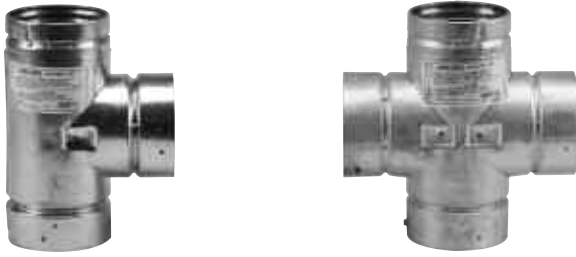


Installs on base of Tee and replaces Tee Cap.

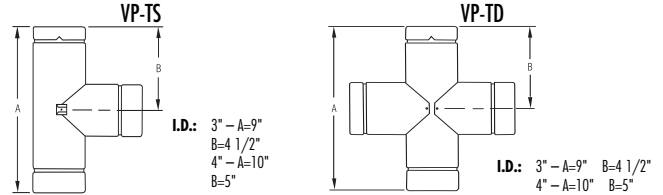
Item Description	Product No.	Part No.
3" Vacuum Cleanout Cap	243185	3VP-VCC
4" Vacuum Cleanout Cap	244185	4VP-VCC

MODEL VP PELLET PIPE™ PARTS GUIDE

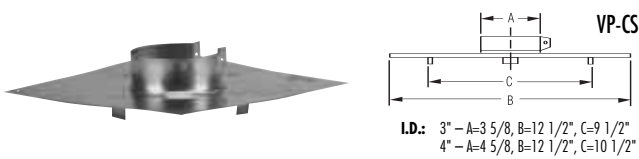
Tee & Double Tee w/ Tee Cap



Item Description	3" Diameter Product No.	Part No.	4" Diameter Product No.	Part No.
Tee w/Tee Cap – Black	243100B	3VP-TSB	244100B	4VP-TSB
Tee w/Tee Cap	243100	3VP-TS	244100	4VP-TS
Double Tee w/Cap	243103	3VP-TD	244104	4VP-TD

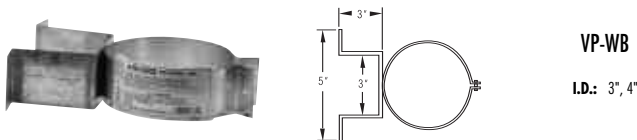


Ceiling Support / Firestop



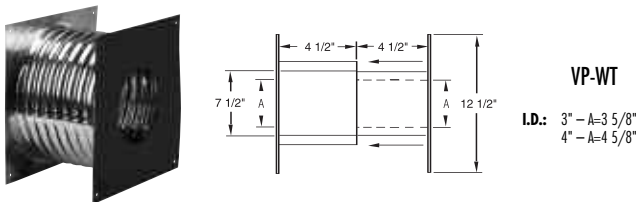
Item Description	3" Diameter Product No.	Part No.	4" Diameter Product No.	Part No.
Ceiling Support/Firestop	243410	3VP-CS	244410	4VP-CS

Wall Bracket / Support



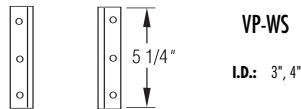
Item Description	3" Diameter Product No.	Part No.	4" Diameter Product No.	Part No.
Wall Support/Support	243520	3VP-WB	244520	4VP-WB

Wall Thimble



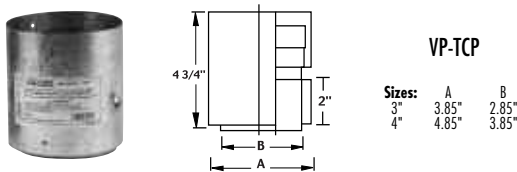
Item Description	3" Diameter Product No.	Part No.	4" Diameter Product No.	Part No.
Wall Thimble	243460	3VP-WT	244460	4VP-WT
Wall Thimble, Thick	243461	3VP-WTT	244461	4VP-WTTT

Tee Support



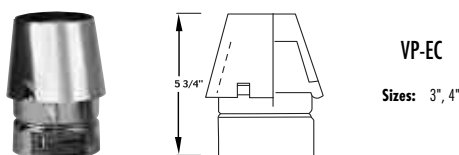
Item Description	Product No.	Part No.
Tee Support	243430	3/4VP-WS

Thick Collar Pipe Connector



Item Description	3" Diameter Product No.	Part No.	4" Diameter Product No.	Part No.
Thick Collar Pipe Connector	243242	3VP-TPC	244242	4VP-TPC

Exit Cap



Item Description	Product No.	Part No.
3" Exit Cap	243803	3VP-EC
4" Exit Cap	244803	4VP-EC

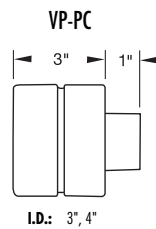
3" to 4" Increaser



Item Description	Product No.	Part No.
3" to 4" Increaser	243304	3VP-14

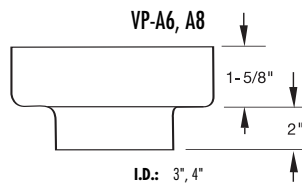
MODEL VP PELLET PIPE™ PARTS GUIDE

Pipe Connector



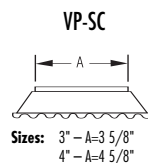
Item Description	3" Diameter		4" Diameter	
	Product No.	Part No.	Product No.	Part No.
Pipe Connector	243240	3VP-PC	244240	4VP-PC
Pipe Connector – Black	243240B	3VP-PCB		

Selkirk® Adapter



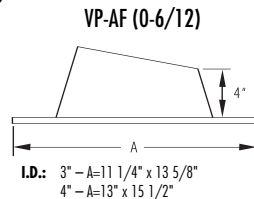
Item Description	3" Diameter		4" Diameter	
	Product No.	Part No.	Product No.	Part No.
6" Selkirk® Adapter	243246	3VP-A6	244246	4VP-A6
8" Selkirk® Adapter	243248	3VP-A8	244248	4VP-A8

Storm Collar



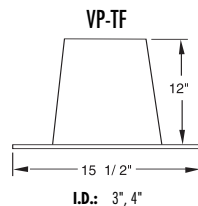
Item Description	3" Diameter		4" Diameter	
	Product No.	Part No.	Product No.	Part No.
Storm Collar	243810	3VP-SC	244810	4VP-SC

Adjustable Flashing



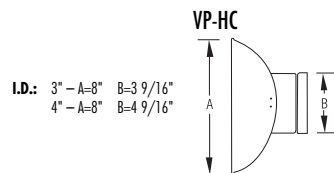
Item Description	3" Diameter		4" Diameter	
	Product No.	Part No.	Product No.	Part No.
Adj. Flashing	243825	3VP-AF	244825	4VP-AF

Tall Cone Flashing

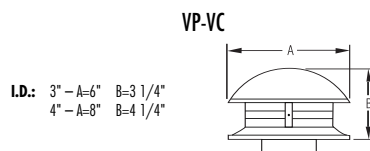


Item Description	3" Diameter		4" Diameter	
	Product No.	Part No.	Product No.	Part No.
Tall Cone Flashing	243815	3VP-TF	244815	4VP-TF

Horizontal & Vertical Terminations



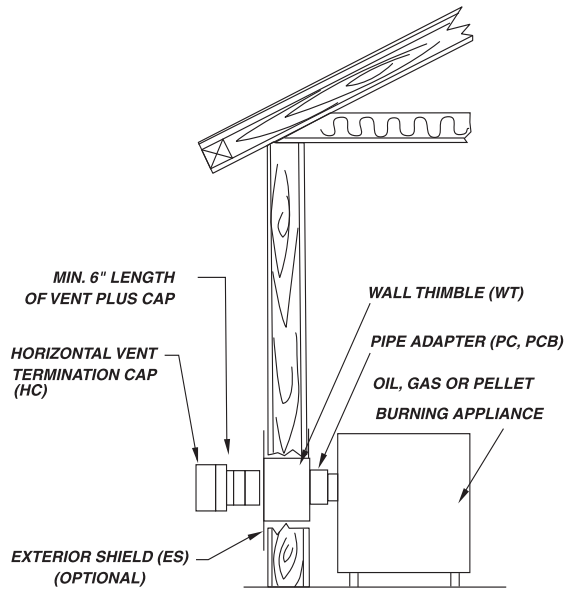
Item Description	3" Diameter		4" Diameter	
	Product No.	Part No.	Product No.	Part No.
Vertical Termination	243800	3VP-VC	244800	4VP-VC
Horizontal Termination	243805	3VP-HC	244805	4VP-HC



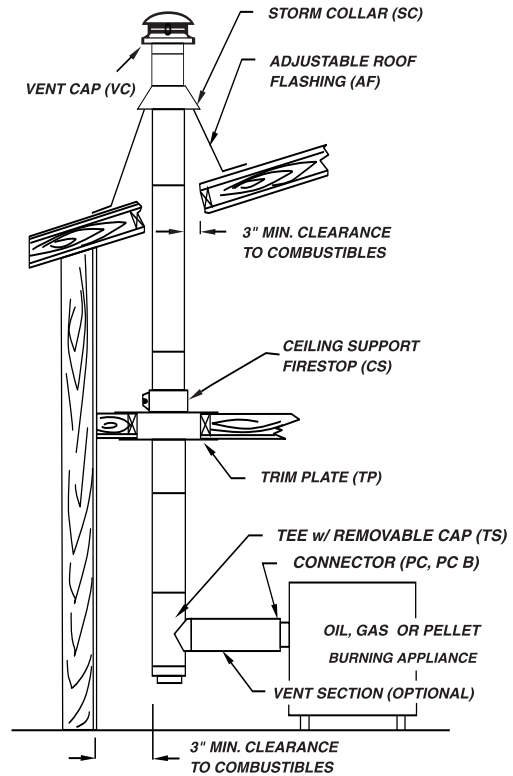
COMMON MODEL VP INSTALLATIONS

The following illustrations detail the most common types of Model VP installations and the variety of parts required.

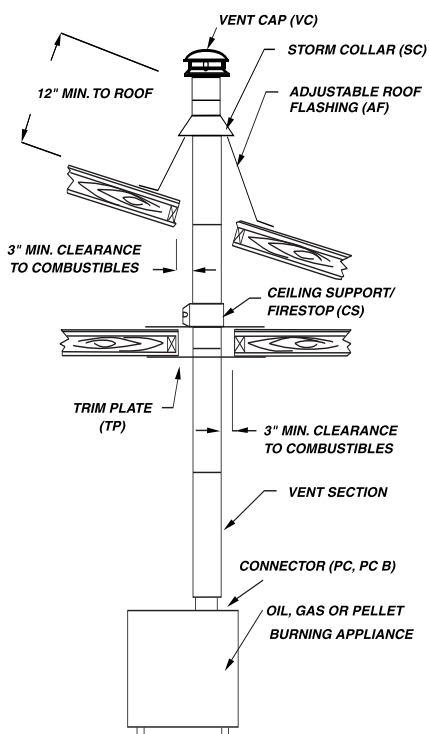
1. Horizontal Exit Termination



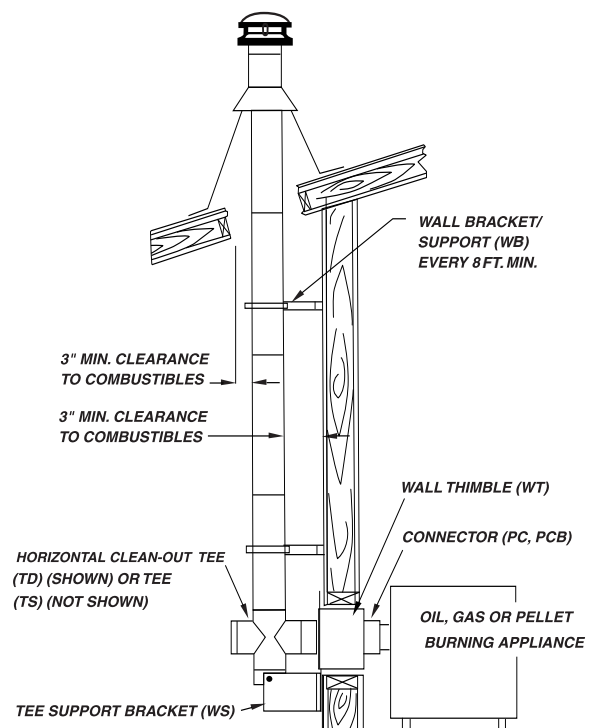
2. Through the Ceiling Rear Vent



3. Through the Ceiling Top Vent



4. Through the Wall Rear Vent



WORLD HEADQUARTERS

P.O. Box 831950
Richardson, Texas 75083-1950
(800) 992-8368 (VENT)
Toll Free Fax: (877) 393-4145
www.selkirkusa.com

SALES OFFICES & CUSTOMER SERVICE

UNITED STATES

P.O. Box 831950
Richardson, Texas 75083-1950
(800) 992-VENT (8368)
Toll Free Fax: (877) 393-4145

CANADA

375 Green Road
Stoney Creek, Ontario
Canada L8E 4A5
(905) 662-6600
Fax: (905) 662-5352
www.selkirkcanada.com

RESEARCH & DEVELOPMENT

REGISTER & GRILLE R&D

2525 Tarpley Road Suite 104
Carrollton, Texas 75006
(214) 390-8100
Fax: (214) 390-8200

VENTING R&D

St. Rt. 93 N. & Sutton Rd.
Logan, Ohio 43138
(740) 385-5666
Fax: (740) 385-2483

MANUFACTURING

UNITED STATES

1820 E. Fargo Ave.
Nampa, Idaho 83687-6824
(208) 467-7411
Fax: (208) 467-7412

7571 West Highway 153
P.O. Box 427
Winters, Texas 79567
(325) 754-4571
Fax: (325) 754-4764

CANADA

1400 California Ave.
P.O. Box 160, Brockville, Ontario
Canada K6V 5V3
(613) 342-6655
(800) 267-8178
Fax: (613) 342-2735

MEXICO

Justo Sierra Y 2 da Avenida
Ojinaga, Chihuahua, Mexico
011 52 (626) 453-2884/85
Fax: 011 52 (626) 453-2886

TECHNICAL SUPPORT

REGISTER, GRILLE & DIFFUSER

(214) 390-8100
Fax: (214) 390-8200
Email: Airmatesupport@selkirkinc.com

CHIMNEY & VENTING

US - (800) 848-2149 ext. 2212
Fax: (740) 385-2483
Email: Metalbestosupport@selkirkinc.com
CANADA - (888) SELKIRK (735-5475)
Fax: (866) 835-9624
Email: info@selkirkcanada.com



FIELD TECHNICAL SERVICES

To assist users of our products, Selkirk® venting specialists throughout the U.S. conduct field investigations to help solve unusual venting problems. They also give assistance on building code and materials approval questions.

For complicated projects, our technical staff can prepare detailed take-offs from architectural drawings. And, the Selkirk seminars are still another valuable field aid available to contractors, building officials and utility service people.

FACTORY ENGINEERING SERVICES

The Selkirk® venting laboratory is one of the most advanced in the world and has conducted hundreds of tests to solve unusual venting problems. The Selkirk engineering staff provides design services for special product applications and for installations requiring complex or unusual manifold systems.

TECHNICAL AIDS

The Selkirk® Sizing Handbook is a comprehensive guide to correct venting with Selkirk® gas vent and chimney parts. This handbook contains detailed vent capacity tables for individual or combined systems, complete design information and illustrations for each type of venting problem.

In addition, the company provides complete parts catalogs, price sheets and illustrated installation instructions for all products.



Selkirk L.L.C. offers customers a Lifetime Limited Warranty on all Selkirk® Venting Systems, subject to certain warranty conditions.

For a copy of the warranty, please contact us or visit our website.

www.selkirkusa.com
800-992-8368 (VENT)

SELKIRK

SELKIRK L.L.C. is a leading manufacturer of venting products for residential, commercial and industrial applications. Current operations include locations in the United States, Canada and Mexico. SELKIRK L.L.C. has been supplying the finest venting products for over 80 years.