

Quarter-Turn Worm Gear Operator

The G731 gear-operator is designed for use on FNW resilient seated butterfly valves. The ISO pads match the FNW valves per size for direct mount. The ISO standard configuration also allows mounting the G731 to other valve manufacturers using the same dimensions.

Features:

- ISO 5211 Mounting Pad Configuration
- Adjustable Open & Close Stops
- Ductile Iron Gear
- Nickel Plated Shaft



ISO Mounts and Ratios Per FNW Resilient Seated Butterfly Valve Sizes

Valve Size	2	2-1/2	3	4	6	8	10	12	14	16	18	20	24
ISO Code	F07	F07	F07	F07	F07	F07	F10	F10	F10	F14	F14	F16	F16
Gear Ratio	24:1	24:1	24:1	24:1	24:1	30:1	30:1	50:1	50:1	50:1	50:1	80:1	80:1

Figure Number Matrix

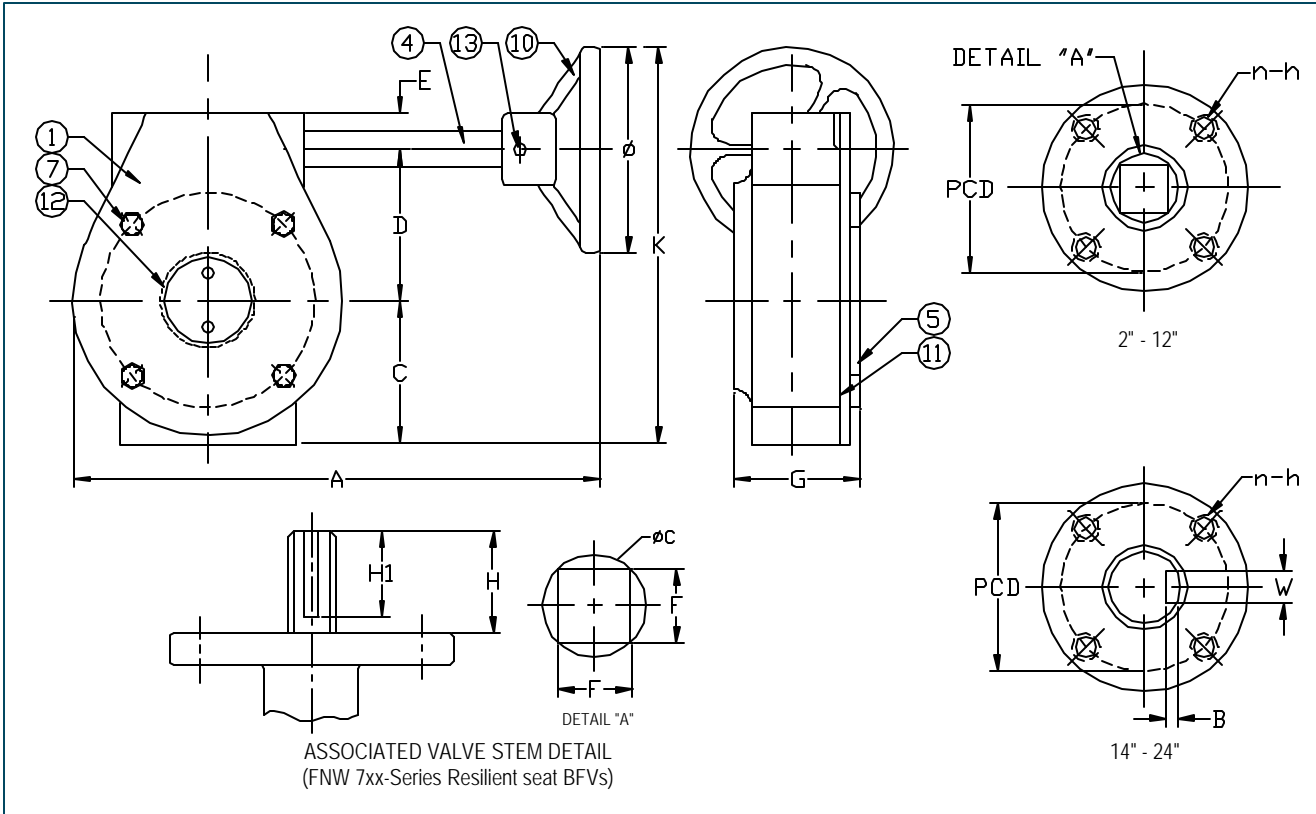
FNW G 7 3 1 Size	
SIZE CODES	
2 = K	12 = 12
2-1/2 = L	14 = 14
3 = M	16 = 16
4 = P	18 = 18
6 = U	20 = 20
8 = X	24 = 24
10 = 10	

For other valve materials or configurations, contact FNW Valve at (503) 287-8383 for sales assistance.

Standard Materials

REF.NO.	DESCRIPTION	MATERIAL	QTY	REMARKS
1	Case	ASTM A126 Cl. B	1	
2	Gear	ASTM A536 65-45-12	1	Not Shown
3	Worm	Steel	1	Not Shown
4	Shaft	Steel	1	Nickel Plated
5	Cover	ASTM A126 Cl. B	1	
6	Shaft Pin	Steel	1	Not Shown
7	Cover Screw	Steel	4	
8	Stop Screw	Steel (2 per stop)	4	Not Shown
10	Hand Wheel	ASTM A126 Cl. B	1	
11	Cover Gasket	Fiber Paper	1	
12	Gear Top O-ring	Rubber	1	
13	Hand Wheel Pin	Steel	1	

Quarter-Turn Worm Gear Operator



Dimensions (Inches)

VALVE SIZE	RATIO	A	G	C	D	E	K	Ø	n-h	PCD	B	W	H	F	ØC	H1
2	24:1	8.74	2.83	2.13	1.77	1.10	6.85	5.79	4-M8	2.76	-	-	0.60	0.43	0.55	-
2-1/2	24:1	8.74	2.83	2.13	1.77	1.10	6.85	5.79	4-M8	2.76	-	-	0.60	0.43	0.55	-
3	24:1	8.74	2.83	2.13	1.77	1.10	6.85	5.79	4-M8	2.76	-	-	0.60	0.55	0.63	-
4	24:1	8.74	2.83	2.13	1.77	1.10	6.85	5.79	4-M8	2.76	-	-	0.70	0.55	0.63	-
6	24:1	8.74	2.83	2.13	1.77	1.10	6.85	5.79	4-M8	2.76	-	-	0.75	0.67	0.87	-
8	30:1	10.51	3.31	2.99	2.60	1.34	11.50	11.81	4-M8	2.76	-	-	0.81	0.67	0.87	-
10	30:1	10.51	3.31	2.99	2.60	1.34	11.50	11.81	4-M10	4.02	-	-	0.81	0.87	1.10	-
12	50:1	10.51	3.31	2.99	2.60	1.34	11.50	11.81	4-M10	4.02	-	-	0.95	0.87	1.10	-
14	50:1	13.62	3.49	3.09	3.05	1.54	12.15	11.81	4-M10	4.02	0.20	0.39	2.76	-	1.10	2.36
16	50:1	13.62	3.49	3.09	3.05	1.54	12.15	11.81	4-M16	5.51	0.20	0.39	2.95	-	1.26	2.36
18	50:1	13.62	3.49	3.09	3.05	1.54	12.15	15.55	4-M16	5.51	0.20	0.47	2.95	-	1.50	2.36
20	80:1	17.32	4.33	5.12	5.31	1.57	18.31	15.55	4-M20	6.50	0.20	0.47	3.54	-	1.77	2.76
24	80:1	17.32	4.33	5.12	5.31	1.57	18.31	15.55	4-M20	6.50	0.20	0.55	3.74	-	2.17	2.76