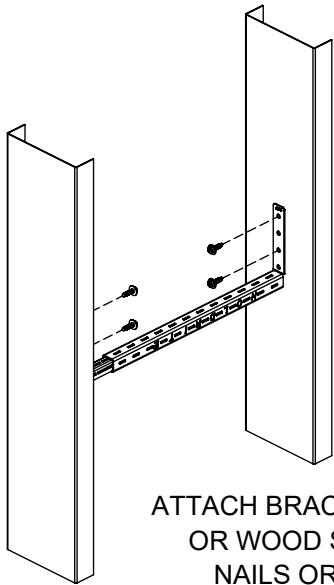
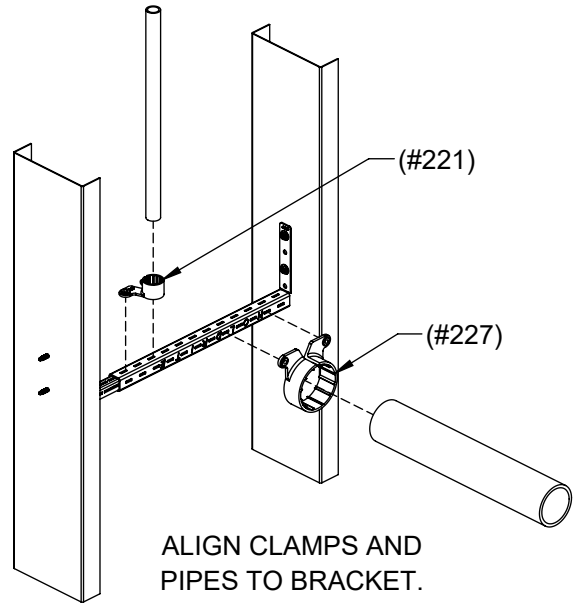


INSTALLATION INSTRUCTIONS

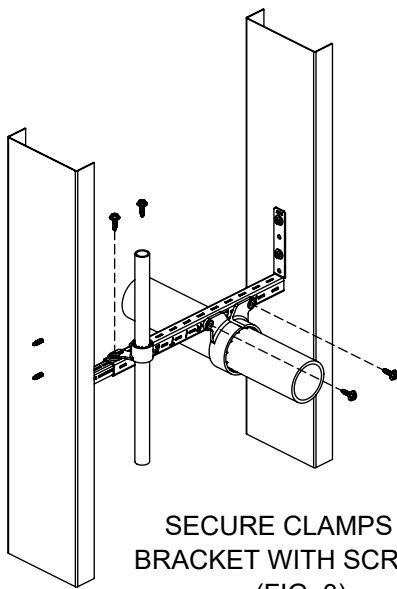
Suspension Clamps, #221 - #228 Series



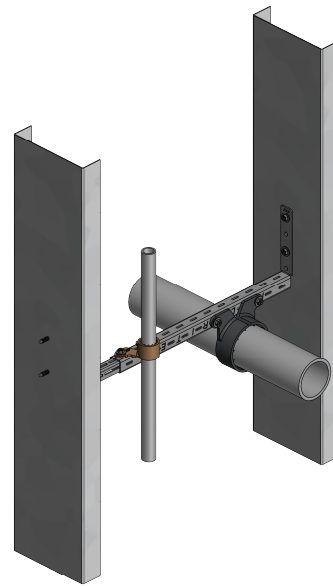
ATTACH BRACKET TO METAL
OR WOOD STUDS WITH
NAILS OR SCREWS.
(FIG. 1)



ALIGN CLAMPS AND
PIPES TO BRACKET.
(FIG. 2)



SECURE CLAMPS TO
BRACKET WITH SCREWS.
(FIG. 3)



THIS INFORMATION IS PROPRIETARY TO HOLDRITE AND IS SUBJECT TO CHANGE WITHOUT NOTICE. IT MAY NOT BE REPRODUCED IN PART OR WHOLE WITHOUT WRITTEN AUTHORIZATION.

