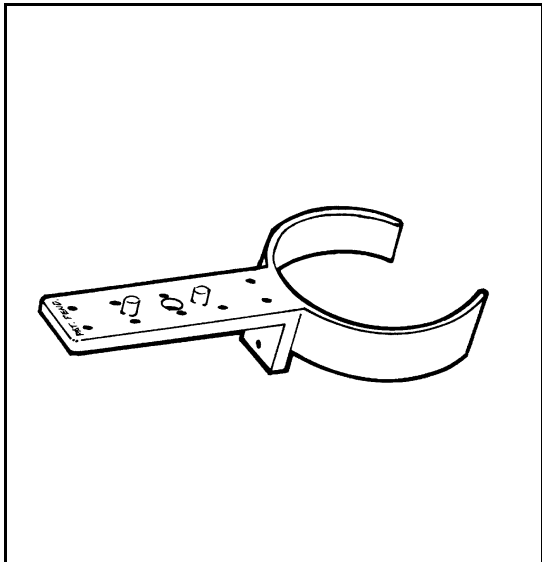


# Specialty Products™

## MULTI-PURPOSE PIPE HOLDER Specification Sheet



PART NO.	DESCRIPTION	MSTR CTN QTY/LBS
P-1009	1-1/2" - 2" ABS	500/38
P-1010	3" - 4" ABS	300/31
P-1039	1-1/2" - 2" PVC	500/38
P-1040	3" - 4" PVC	300/31

### SPECIFICATION

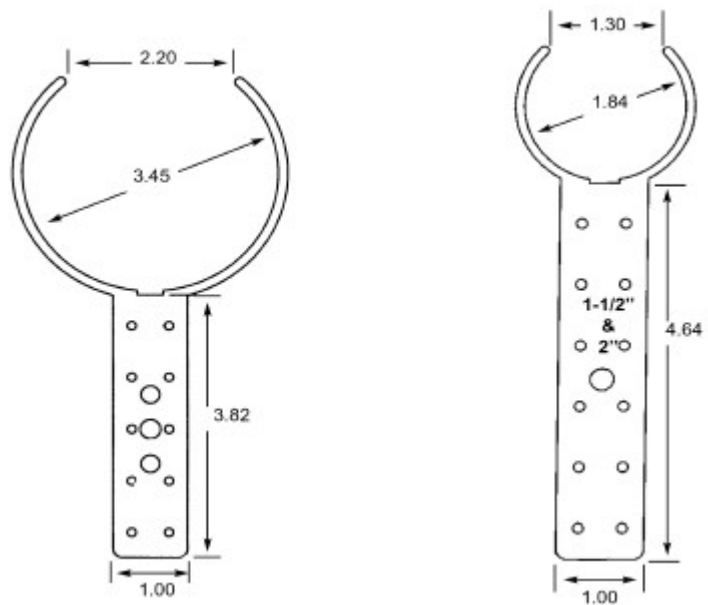
Furnish and install Multi-Purpose Pipe Holder as manufactured by LSP Products Group/Specialty Products.

### DESIGN FEATURES

- Secures pipe to forms during the concrete pour.
- Scored tail piece snaps off when stripping form boards are removed.
- Solvent cements to pipe.
- Made of high-impact plastic.

### COMPLIANCES/LISTINGS

IAMPO file #2139



3689 Arrowhead Drive, Carson City, NV 89706  
 Phone (800) 854-3215 Fax (800) 243-1777  
 E-mail sales@lspproducts.com Website www.lspproducts.com

Content matter is subject to change at any time. It is the user's responsibility to ensure the most updated revisions are obtained.

SP/S-2021 (03-02) Rev 1

Product Submittal	
Job Name	
Date	
Part Number	Quantity
Architect	
Contractor	