

300 PSI Grooved End Butterfly Valves

Polyamide Coated Ductile Iron Body • Extended Neck • Elastomer Encapsulated Disc • Grooved Mechanical Style • 12" Maximum Pressure Rating 200 PSI • Maximum Temperature Rating of 200°F • Grooved End Compatible with IPS Pipe



Sizes 2" through 12"

DESIGNED TO MEET MSS SP-67 STANDARD •
NSF/ANSI 61-8 COMMERCIAL HOT 180°F
(INCLUDES ANNEX F AND G) AND NSF/ANSI-372

MATERIAL LIST

PART	SPECIFICATION
1. Upper Stem	Stainless Steel ASTM A582 Type 416
2. Upper Bearing	Split Metal
3. O-Ring	EPDM
4. Body	Ductile Iron ASTM A395 w/Polyamide Coating
5. Disc	Ductile Iron ASTM A395 w/EPDM
6. Lower Bearing	Split Metal
7. Lower Stem	Stainless Steel ASTM A582 Type 416
8. Dust Plug	PVC
9. Name Plate	Aluminum

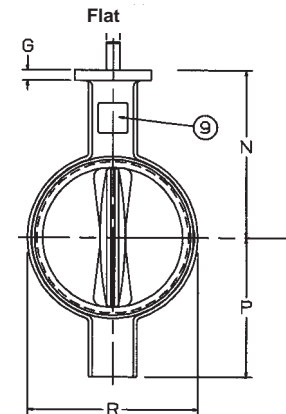
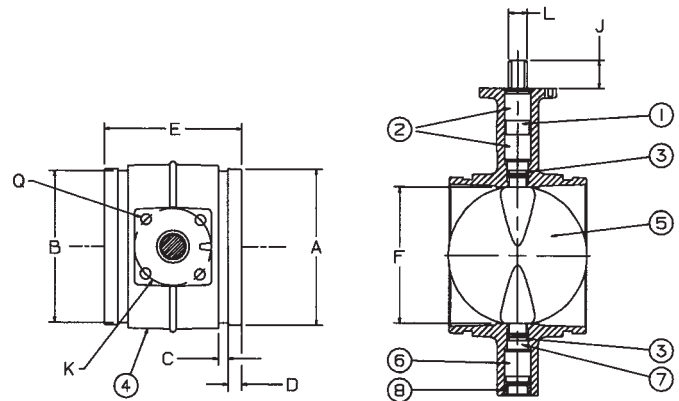


GD-4765-N
w/EPDM Liner

DIMENSIONS — WEIGHTS

Size		A	B	C	D	E	F	G	J
In.	mm.								
2	50	2.38	2.32	.33	.63	3.33	2.42	.46	1.31
2½	65	2.88	2.72	.31	.63	3.85	2.42	.46	1.22
3	80	3.50	3.34	.31	.63	3.85	2.86	.46	1.18
3 O.D.	76.1	3.00	2.84	.31	.63	3.85	2.42	.46	1.22
4	100	4.50	4.33	.38	.63	4.56	3.84	.46	1.24
5	125	5.56	5.39	.38	.63	5.86	4.79	.46	1.24
6	150	6.63	6.45	.38	.63	5.86	5.73	.46	1.29
6½ O.D.	165.1	6.51	6.32	.38	.63	5.86	5.73	.46	1.29
8	200	8.63	8.44	.44	.75	5.26	7.71	.46	1.32
10	250	10.75	10.56	.50	.75	6.29	9.56	.70	1.38
12	300	12.76	12.51	.50	.75	6.52	11.55	.70	1.38

Size		K	L	M	N	P	Q	R	Weight	
In.	mm.								Lbs.	Kg.
2	50	3.25	.50	.37	4.00	3.14	.437	2.89	6.7	3.0
2½	65	3.25	.50	.37	4.19	3.25	.437	3.46	7.5	3.4
3	80	3.25	.50	.37	4.44	3.54	.437	3.97	8.7	3.9
3 O.D.	76.1	3.25	.50	.37	4.19	3.25	.437	3.46	8.7	3.9
4	100	3.25	.66	.50	5.33	4.35	.437	5.03	12.2	5.5
5	125	3.25	.66	.50	5.83	4.84	.437	6.27	17.3	7.8
6	150	3.25	.78	.56	7.11	5.93	.437	7.25	27.4	12.4
6½ O.D.	165.1	3.25	.78	.56	7.11	5.93	.437	7.25	27.4	12.4
8	200	3.25	.78	.56	8.05	6.87	.437	9.25	32.5	14.7
10	250	5.00	1.06	.75	9.86	9.17	.562	11.25	69.6	31.6
12	300	5.00	1.06	.75	10.85	10.17	.562	13.14	88.0	39.9



NOT RECOMMENDED
FOR STEAM SERVICE

*Weighted average lead content ≤ 0.25%

Visit our website for the most current information.