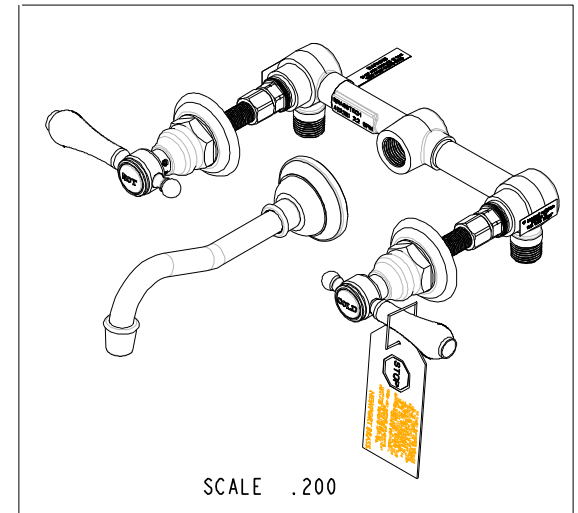
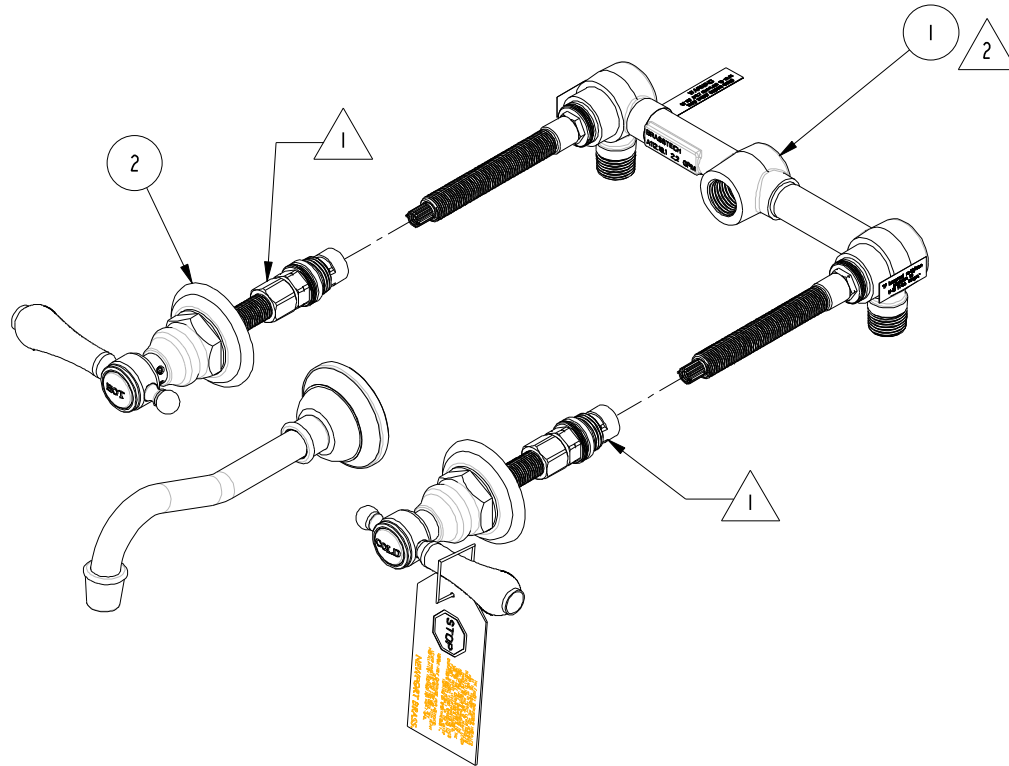


NOTES:

- 1 VALVE SHOWN WITH TORQ-ABLE CARTRIDGES THAT ARE SUPPLIED WITH TRIM KIT. THESE CARTRIDGES MUST BE USED TO REPLACE CARTRIDGES THAT ARE SHIPPED WITH VALVE. TORQUE TO 14-16 FT-LBS
- 2 RECOMMENDED VALVE(S), SHOWN WITH TRIM KIT SOLD SEPERATELY.

BILL OF MATERIAL (CURRENT LEVEL)

ITEM	PT/ASSY	DESCRIPTION	TYPE	QTY.
1	1-532C	WALL LAVATORY KIT 1/2" NPT	ASSEMBLY	1
2	3-1031	TRIM KIT WALL MNT LAV	ASSEMBLY	1



COPYRIGHT 2005 BRASSTECH, INC. THESE DRAWINGS AND THE DESIGNS DEPICTED HEREIN ARE THE PROPRIETARY PROPERTY OF BRASSTECH. ANY USE OR REPRODUCTION IS SUBJECT TO THE EXPRESS APPROVAL OF BRASSTECH. UNAUTHORIZED USE IS STRICTLY PROHIBITED. ALL RIGHTS RESERVED.

BRASSTECH
INCORPORATED
2001 E. CARNEGIE AVE.
SANTA ANA, CA 92705
(949) 417-5207

WALL MOUNT LAV

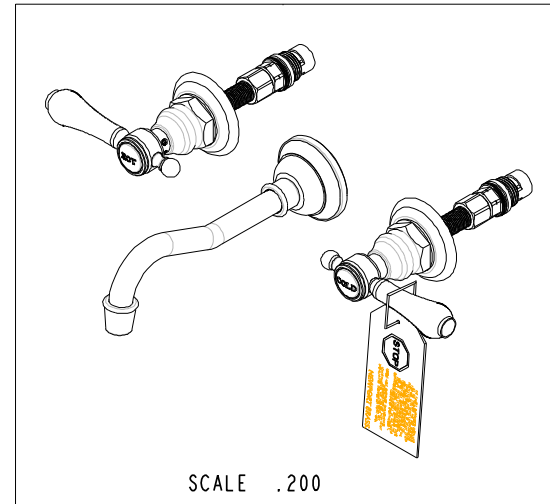
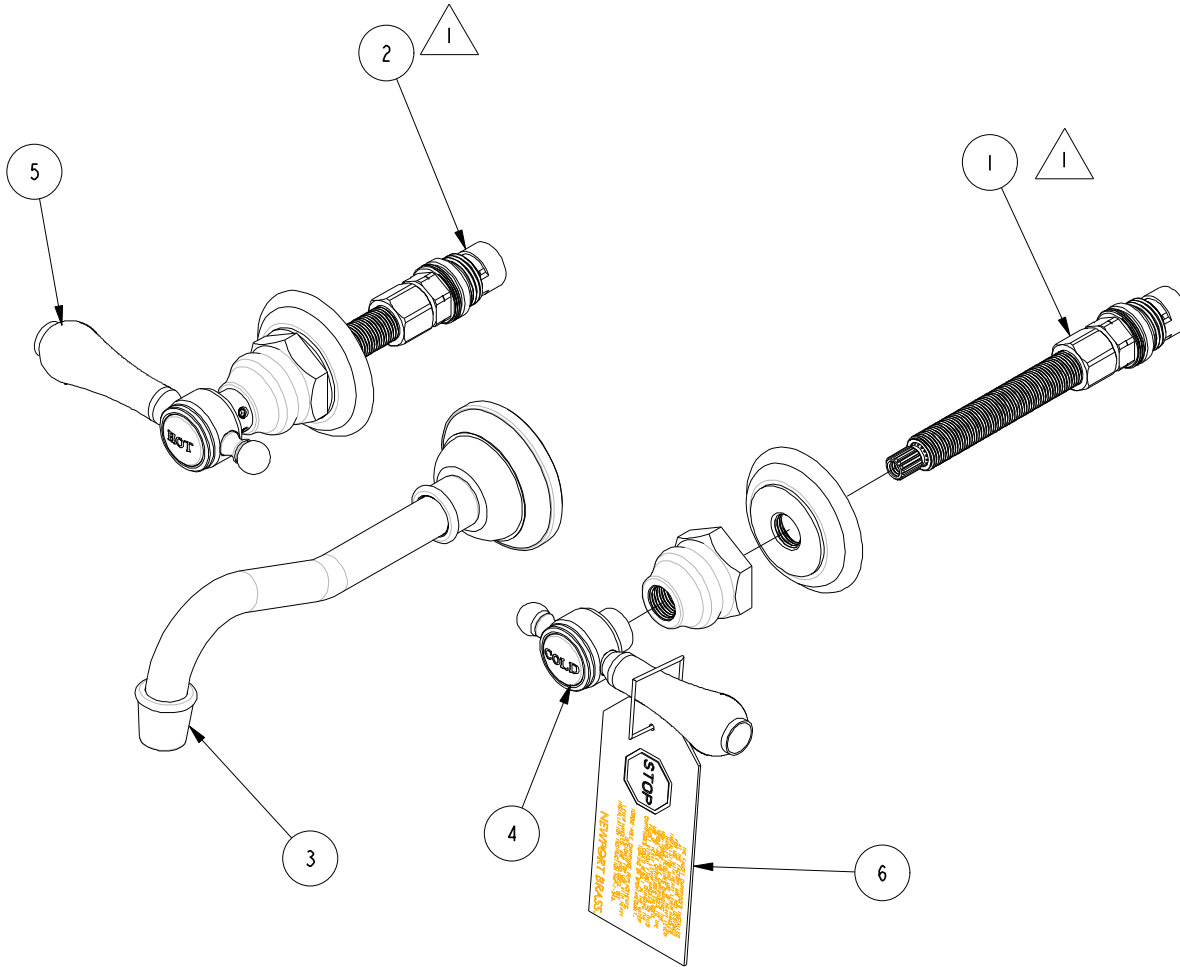
ASSY. NO. 1031

SCALE .250	REF. -	SHEET 1 OF 3	REV	REV DESC	DATE
------------	--------	--------------	-----	----------	------

C	EN-1176	10/23/09
B	EO-0640	08/08/06
A	EO-0484	03/17/05
-	RELEASED	06/09/03

1 VALVE SHOWN WITH TORO-ABLE CARTRIDGES THAT ARE SUPPLIED WITH TRIM KIT. THESE CARTRIDGES MUST BE USED TO REPLACE CARTRIDGES THAT ARE SUPPLIED WITH THE VALVE. TORQUE TO 14-16 FT-LBS.

BILL OF MATERIAL (CURRENT LEVEL)				
ITEM	PT/ASSY	DESCRIPTION	TYPE	QTY.
1	1-543	T/S TORO. CARTRIDGE COLD	ASSEMBLY	1
2	1-544	T/S TORO. CARTRIDGE HOT	ASSEMBLY	1
3	2-218	SPOUT ASM - LAV IN WALL	ASSEMBLY	1
4	3-241C	TRIM KIT - HANDLE ESCUTCHEON	ASSEMBLY	1
5	3-241H	TRIM KIT - HANDLE ESCUTCHEON	ASSEMBLY	1
6	98062	PRODUCT WARNING LABEL	PART	1



COPYRIGHT 2005 BRASSTECH, INC. THESE DRAWINGS AND THE DESIGNS DEPICTED HEREIN ARE THE PROPRIETARY PROPERTY OF BRASSTECH. ANY USE OR REPRODUCTION IS SUBJECT TO THE EXPRESS APPROVAL OF BRASSTECH. UNAUTHORIZED USE IS STRICTLY PROHIBITED. ALL RIGHTS RESERVED.

BRASSTECH
INCORPORATED
2001 E. CARNEGIE AVE.
SANTA ANA, CA 92705
(949) 417-5207

TRIM KIT 3-1031

ASSY. NO. 1031

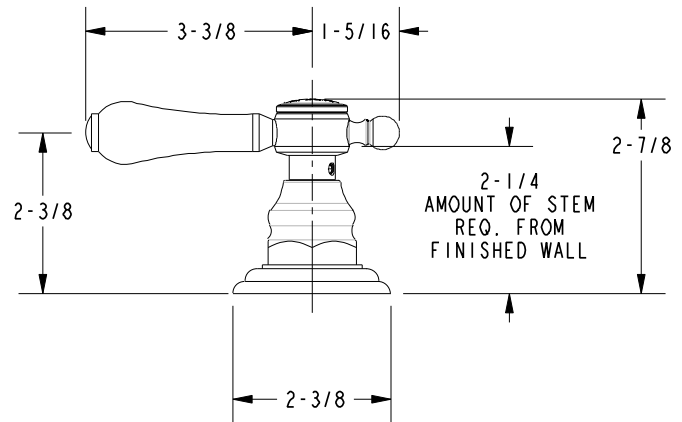
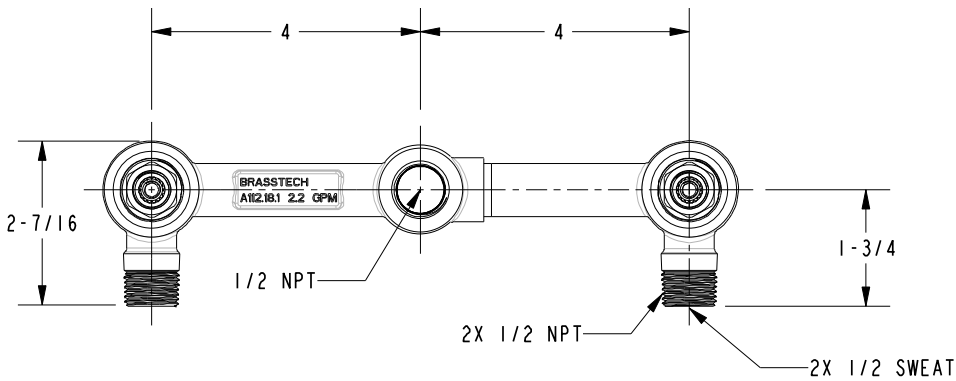
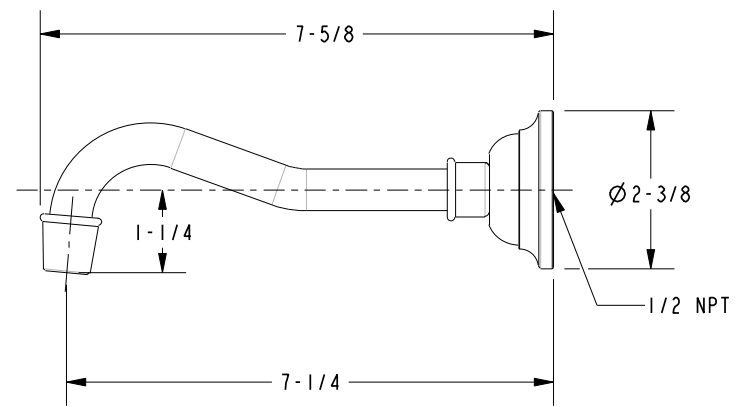
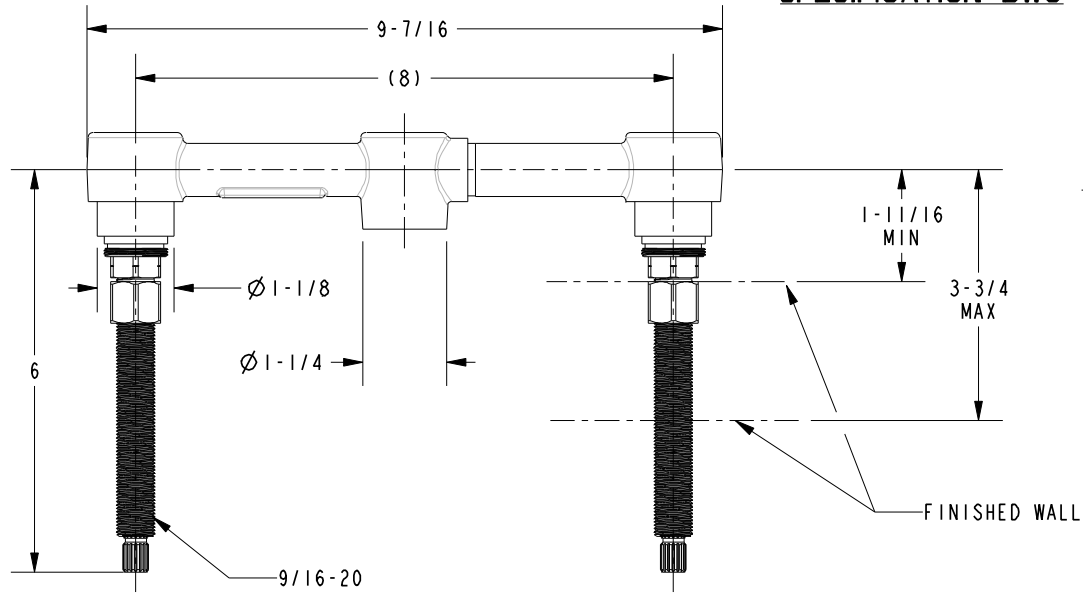
SCALE .350

REF. -

SHEET 2 OF 3

C	EN-1176	10/23/09
B	EO-0640	08/08/06
A	EO-0484	03/15/05
-	RELEASED	06/09/03
REV	REV DESC	DATE

SPECIFICATION DWG



DIMENSIONS ARE IN INCHES AND AN APPROXIMATION OF A TYPICAL INSTALLATION

COPYRIGHT 2005 BRASSTECH, INC. THESE DRAWINGS AND THE DESIGNS DEPICTED HEREIN ARE THE PROPRIETARY PROPERTY OF BRASSTECH. ANY USE OR REPRODUCTION IS SUBJECT TO THE EXPRESS APPROVAL OF BRASSTECH. UNAUTHORIZED USE IS STRICTLY PROHIBITED. ALL RIGHTS RESERVED.

BRASSTECH		2001 E. CARNEGIE AVE.
INCORPORATED		SANTA ANA, CA 92705
		(949) 417-5207
DWG NO.	1031	REV C
SCALE .000	REF. -	SHEET 3 OF 3