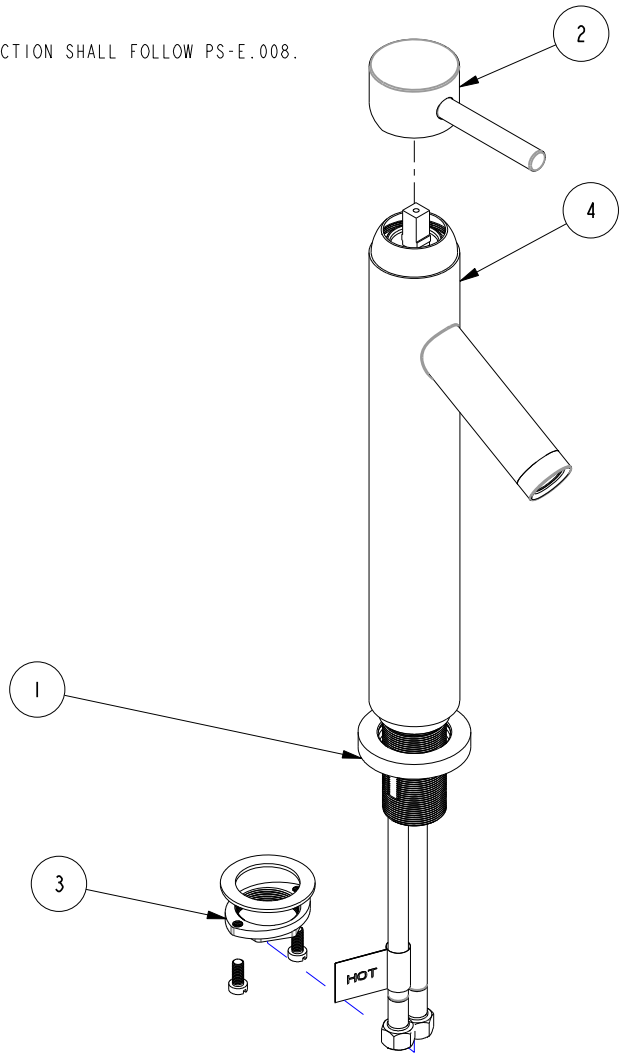


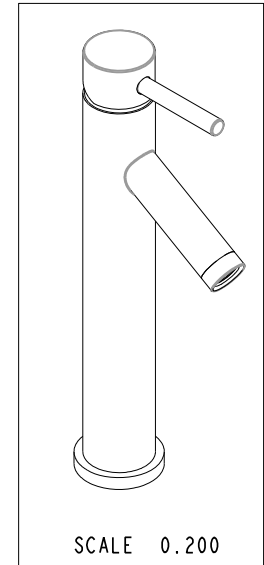
NOTES:

(NI) 1. FIT / FORM / FUNCTION SHALL FOLLOW PS-E.008.



**BILL OF MATERIAL (CURRENT LEVEL)**

ITEM	PT/ASSY	DESCRIPTION	TYPE	QTY.
1	20-351	BASE RING ASM	ASSEMBLY	1
2	2-334	HANDLE ASM	ASSEMBLY	1
3	1-256	MOUNTING KIT	ASSEMBLY	1
4	3-257	SPOUT ASM - ASM 1508	ASSEMBLY	1



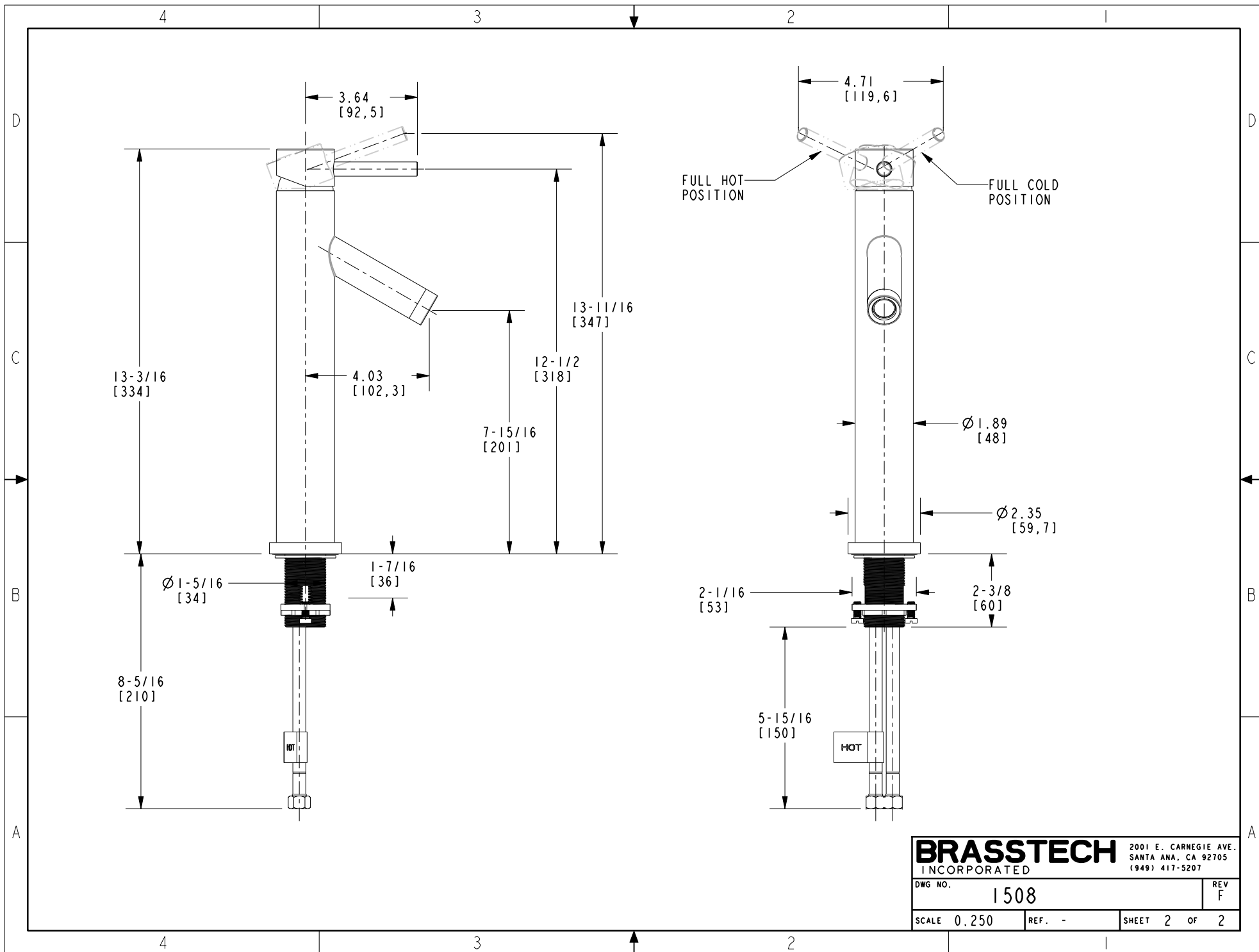
F	EN-3584	4/13/18	J. A.	
-	E	EN-2643	01/15/16	J. M
-	D	EN-2119	07/24/12	-
-	C	EN-1596	08/05/10	-
-	B	EO-0278	11/06/03	-
-	A	EO-0154	02/05/03	-
-	-	RELEASED	09/17/02	-
ZONE	REV	DESCRIPTION	DATE	APPROVED

COPYRIGHT 2005 BRASSTECH, INC. THESE DRAWINGS AND THE DESIGNS DEPICTED HEREIN ARE THE PROPRIETARY PROPERTY OF BRASSTECH. ANY USE OR REPRODUCTION IS SUBJECT TO THE EXPRESS APPROVAL OF BRASSTECH. UNAUTHORIZED USE IS STRICTLY PROHIBITED. ALL RIGHTS RESERVED.

TESTING	-	-	-
ASSEMBLY	-	-	-
PLATING	-	-	-
POLISHING	-	NEXT ASSY	USED ON
MACHINING	-	APPLICATION	
TOOLING FIXTURE #	REMOVE ALL BURRS AND SHARP EDGES		

UNITS ARE: INCHES [MM]		
TOLERANCES ARE:		
FRACTIONS	DECIMALS	ANGLES
±1/16"	.X ±.1 (2,5)	±1°
	.XX ±.06 (1,5)	
(X.XXX) DENOTES CRITICAL DIMS. ALL THREADS ARE CRITICAL		
DRAWN	RAVINDRA	12/22/15
CHECKED	JINSON	12/22/15
APPROVED	J. M	01/15/16

<b>BRASSTECH</b>		2001 CARNEGIE AVE. SANTA ANA, CA 92705 (949) 417-5207	
INCORPORATED			
SGL HDL BAR FAUCET			
DWG NO.		REV	
1508		F	
SCALE	REF.	SHEET	OF
0.250	-	1	2



<b>BRASSTECH</b>		2001 E. CARNEGIE AVE.	
INCORPORATED		SANTA ANA, CA 92705	
DWG NO. 1508		REV F	
SCALE 0.250	REF. -	SHEET 2 OF 2	