

LINEAR FLUORESCENT WRAP

For 2 or 4 lamp 17watt F17T8, 25watt F25T8 or 32watt F32T8

Make sure that the power source conforms to the requirements of the fixture.
(See labels on fixture housing).



Questions, problems, missing parts? Before returning to your retailer, call our customer service department at 1-800-873-2326, 8 a.m.-4 p.m., CST, Monday-Friday.

PACKAGE CONTENTS

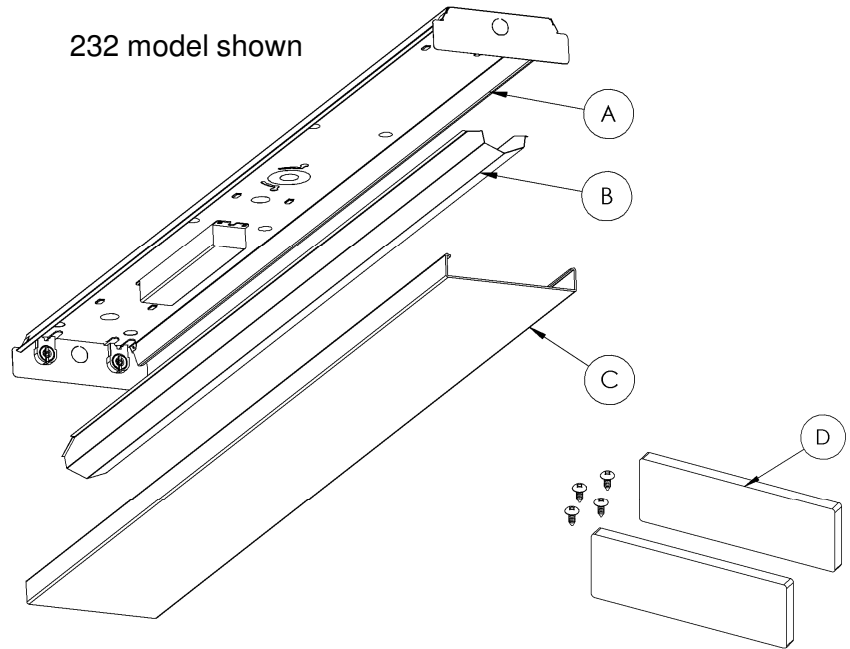
Part	Description	Quantity
A	Channel assembly	1
B	Ballast cover	1
C	Diffuser	1

OPTIONAL (provided with LWK & PLWK)

D	Wood endcaps with screws	2
---	--------------------------	---

ADDITIONAL PARTS REQUIRED (not provided)

Description	Quantity
Wire nuts	3
Mounting screws or Toggle bolts	4
T8 Fluorescent lamps only	2 or 4
Electrical tape	1



Limited Factory Warranty

We hereby warranty that this fixture is free from defects in materials and workmanship when installed and used under normal operating conditions for a period of 2 years from date of purchase. This warranty covers all component parts and extends only to replacement of defective fixture or components; it does not cover failure due to improper installation, misuse, mishandling or damage incurred in transit.

⚠ WARNINGS AND CAUTIONS

WARNING

- Read all safety precautions and installation instructions carefully before installing or servicing this fixture. Failure to comply with these instructions could result in potentially fatal electric shock and/or property damage.
- It is recommended that a qualified electrician perform all wiring. This fixture must be wired in accordance with all national and local electrical codes.
- To reduce the risk of electrical shock, and to assure proper operation, this fixture must be adequately grounded.

CAUTION

- Do not handle any energized fixture or attempt to energize any fixture with wet hands or while standing on a wet or damp surface or in water.
- Disconnect electrical power before installing or servicing any part of this fixture.
- Not for use with dimmer switch of any kind. (except for D10 models)

PREPARATION

Before beginning installation of product, make sure all parts are present. Compare parts with package contents list and diagram above. If any part is missing or damaged, do not attempt to assemble, install or operate the product. Contact customer service for replacement parts.

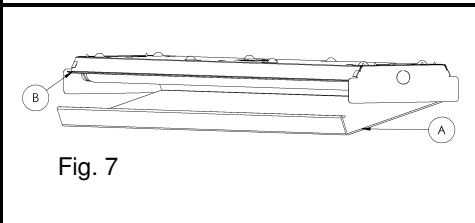
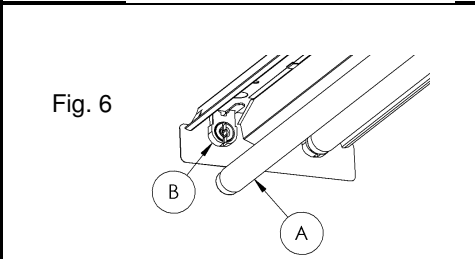
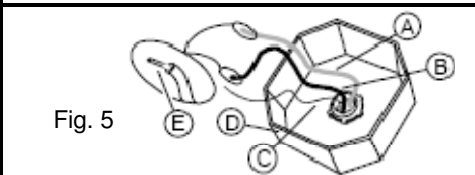
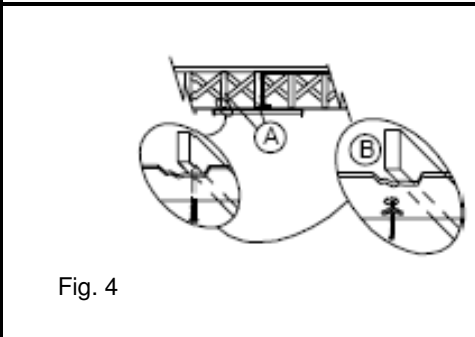
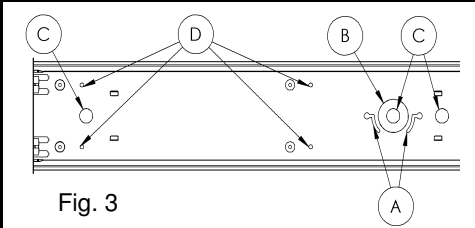
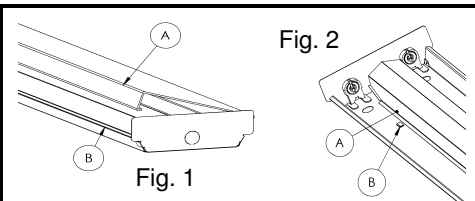
Estimated Assembly Time: 20 minutes

- Tools Required for Assembly: Eye protection, screwdriver, ladder.
- Helpful Tools: Wire cutter, pliers, stud finder, wire stripper, drill with 1/4 in. bit.



INSTALLATION INSTRUCTIONS

- 1 Separate the diffuser (Fig. 1-A) from the fixture body (FIG. 1-B) by shifting it to one side and pulling it from assembly.
- 2 Separate the ballast cover from the fixture body by squeezing it in at dimples (Fig. 2-B) and pulling it from the assembly. (Fig. 2-A).
- 3 For models with wood ends – Open two small knockouts in each metal end cap and attach wood with wood screws provided into predrilled holes in wood ends.
- 4 Remove appropriate mounting knockouts (Fig.3-D). Four located on each side of channel. Determine and remove the appropriate knockout for power supply wires in channel (Fig. 3 B or C) or in endcap.
- 5 Lift fixture up and capture one or more screws in junction box into the screw retention yoke (Fig. 3-A) until it is captured and can not be slid back out. Mark the locations of the eight 1/4" diameter-mounting holes (Fig. 3-D) on the ceiling.
- 4 Take the channel down and locate the ceiling joists with a stud finder or punch a small hole into the ceiling at each location using a nail or an awl to see if there is a wood joist. If there is a joist use a suitable wood screw (not included) (Fig.4 A) to mount the channel. Where there is no joist to screw into use a 1/4" toggle bolt (not included) (Fig.4-B) of suitable length to mount channel securely to the ceiling.
- 5 Pull the supply power wires from junction box (Fig 5) or power supply through the appropriate knockout hole into the fixture. Secure fixture to ceiling with appropriate mounting hardware (Fig. 4 A or B). The screw captured in the screw retention yoke can be tightened to prevent fixture vibration.
- 6 Use wire nut to connect white wire from ballast to neutral supply wire. (Fig. 5-A) Strip supply wires if needed. (Fig. 5-E) Use wire nut to connect black wire from ballast to power supply wire. (Fig. 5-B) Cover wire nuts and connections completely in electrical tape. Secure bare or green ground wire to green screw in the channel.
- 7 Place ballast cover (Fig. 2-A) onto fixture. Squeeze cover and attach under dimples. (Fig. 2-B) DO NOT PINCH WIRES.
- 8 Install lamps into fixture. (Fig. 6-A) Each lamp has 2 pins on each end. Align the pins with slots in socket (Fig. 6-B) and slide lamp into place. When all 4 pins are in place, rotate lamp 90°.
- 9 Place diffuser (Fig. 7-A) onto fixture. Hang long side onto channel body (Fig. 7-B), swing diffuser up to clear other side and shift to center.



CARE AND MAINTENANCE

Periodically, dust the diffuser (inside and out) with a clean, dry cloth. Wipe clean with a slightly damp cloth as needed. Never use

TROUBLESHOOTING

Problem	Possible Cause	Corrective Action
Light fails to illuminate.	1. Fixture wiring problem. 2. No power or failed switch.	1. Check wiring for loose connections. 2. Check power and switch.
No flickering.	3. Worn-out lamp(s). 4. Failed ballast.	3. Replace lamp(s) as needed. 4. Replace ballast as needed.
Light flickers blinks or	1. Fixture not properly grounded. 2. Wrong lamp(s).	1. Check grounding system. 2. Verify lamp is listed on ballast.
lights ends only.	3. One or more failing lamps. 4. Failing ballast.	3. Replace lamps as needed. 4. Replace ballast as needed.