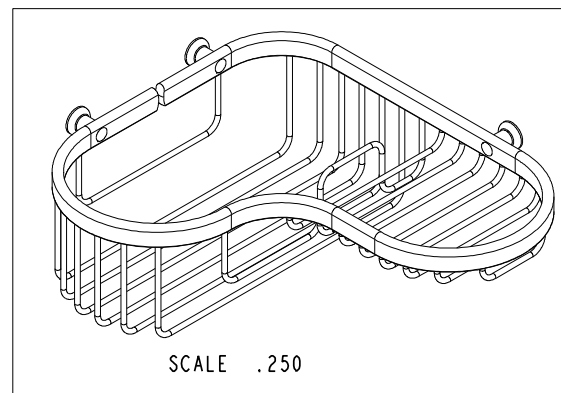
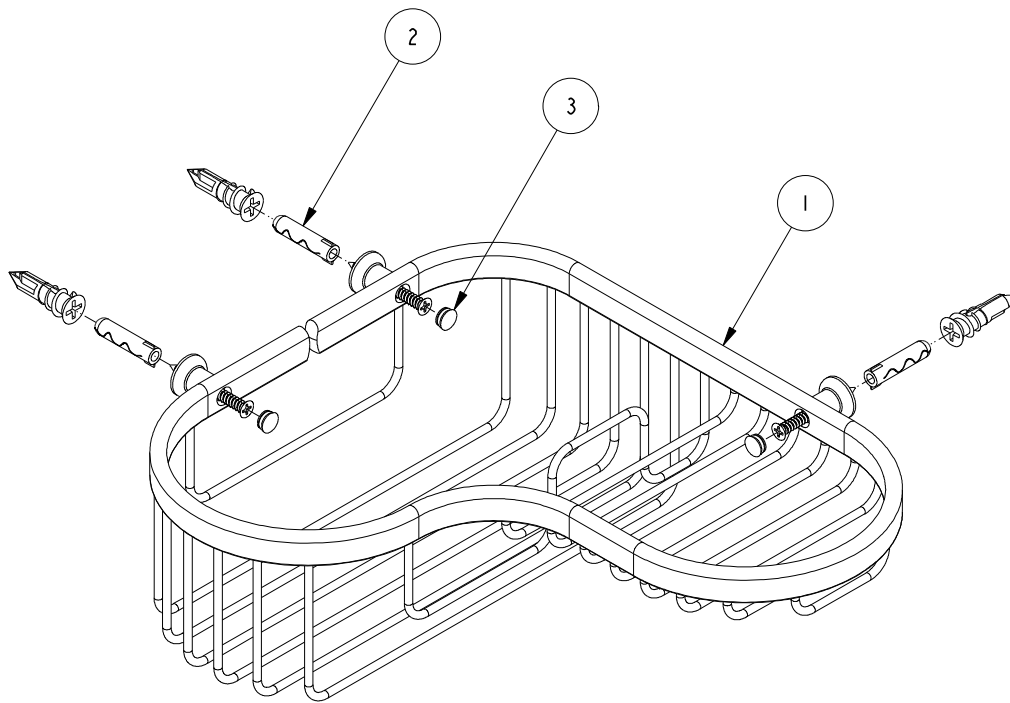


NOTES:

1. TO INSPECT ASSEMBLY, FOLLOW FIRST ARTICLE AND IN PROCESS INSPECTION SHEET.

BILL OF MATERIAL (CURRENT LEVEL)

ITEM	PT/ASSY	DESCRIPTION	TYPE	QTY.
1	7-789	LARGE CORNER BASKET ASM	ASSEMBLY	1
2	1-485	MOUNTING KIT	ASSEMBLY	2
3	5XXC	COVER ASM	ASSEMBLY	3



ZONE	REV	DESCRIPTION	DATE	APPROVED
-	A	EN-4427	12/29/21	R. S.
-	-	RELEASED	05/15/96	-

COPYRIGHT 2005 BRASSTECH, INC. THESE DRAWINGS AND THE DESIGNS DEPICTED HEREIN ARE THE PROPRIETARY PROPERTY OF BRASSTECH. ANY USE OR REPRODUCTION IS SUBJECT TO THE EXPRESS APPROVAL OF BRASSTECH. UNAUTHORIZED USE IS STRICTLY PROHIBITED. ALL RIGHTS RESERVED.

TESTING	ASSEMBLY	PLATING	POLISHING	MACHINING	TOOLING FIXTURE #	APPLICATION
-	-	-	-	-	-	REMOVE ALL BURRS AND SHARP EDGES
-	-	-	-	-	NEXT ASSY	USED ON
-	-	-	-	-	-	-

UNITS ARE: INCHES [MM]
 TOLERANCES ARE:
 FRACTIONS DECIMALS ANGLES
 ±1/16" .X ±.1 [2.5] ±1°
 .XX ±.06 [1.5]
 (X.XXX) DENOTES CRITICAL DIMS.
 ALL THREADS ARE CRITICAL
 DRAWN JIMSON 12/29/21
 CHECKED R.S. 12/29/21
 APPROVED R.S. 12/29/21

BRASSTECH 2001 CARNEGIE AVE.
 INCORPORATED SANTA ANA, CA 92705
 (949) 417-5207

LARGE COMBINATION CORNER BASKET

DWG NO.	REV	SCALE	REF.	SHEET	OF
504L	A	.375	-	1	2

