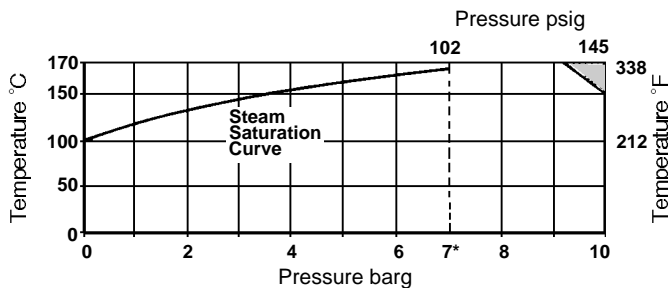


Stainless Steel Thermostatic Steam Trap BTM7/BTS7

Description

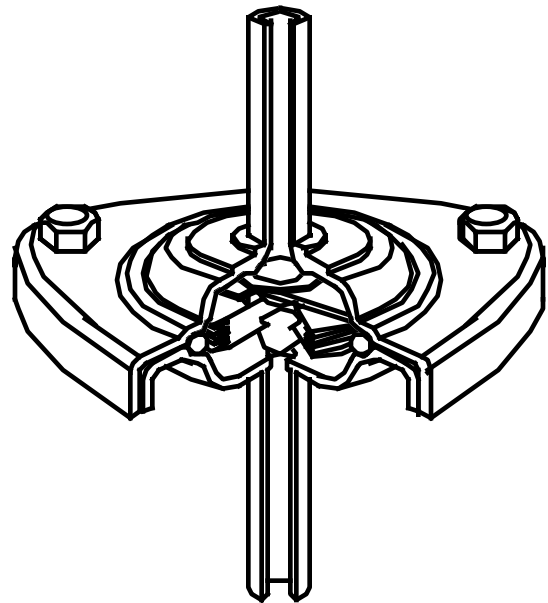
The BTM7 (maintainable) and BTS7 (sealed) are vertical body steam traps, with all AISI 316L construction, designed for use on clean steam systems. Normal operation is close to saturated steam temperature, with minimal back up of condensate.

Operating Range



*PMO—Maximum operating pressure (recommended)

■ The product must not be used in this region



BTM7

Maximum Body Design Conditions

PMA — Maximum Allowable Pressure: 145 psig, 10 barg

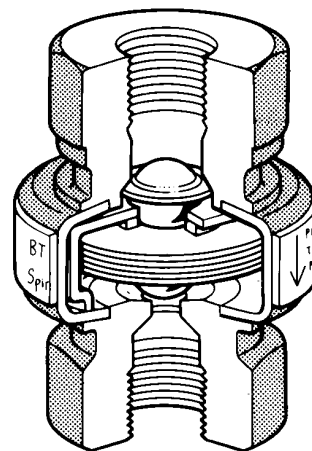
TMA — Maximum Allowable Temperature: 338°F, 170°C

Cold Hydraulic Test: 217 psig, 15 barg

Installation

The traps are designed for installation in vertical lines with the flow downward to ensure self-draining operation. Do not expose element to superheat conditions since over-expansion may result.

CAUTION: In order to prevent undue stresses on the pipeline and steam trap, ensure adequate provision is made for thermal expansion.



BTS7

Spare Parts

Available parts (for the BTM7 only) are shown in heavy outline. Parts drawn in broken lines are not available as spares.

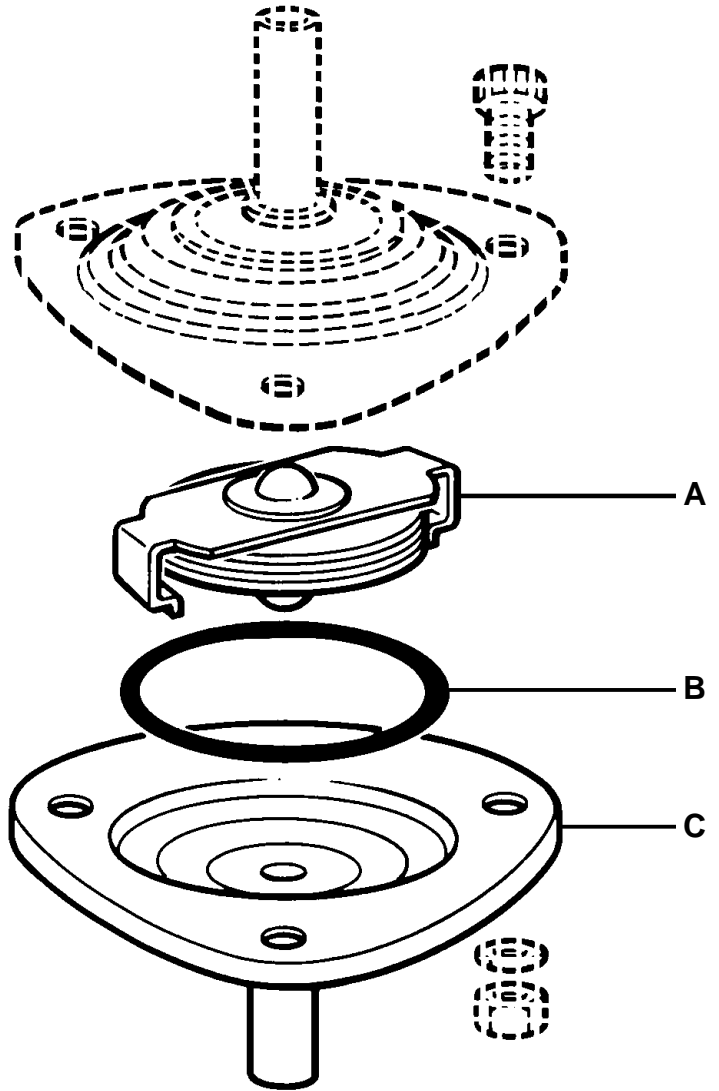
AVAILABLE SPARES

Element Assembly	A
Gasket (pack of 3)	B
Body with seat (outlet)	C

How to order

Always order spares by using the description given in the column headed Available Spares and stating the size, type and end connection of the trap.

Example: 1— Body with seat (outlet) for 1/2" Spirax Sarco BTM7, screwed NPT.



For any additional information you may require, contact:
Spirax Sarco Applications Engineering Department
Toll Free 1-800-833-3246

spirax
/sarco®

SPIRAX SARCO, INC. • 1150 NORTHPOINT BLVD. • BLYTHEWOOD, SC 29016
PHONE 803-714-2000 • FAX 803-714-2200